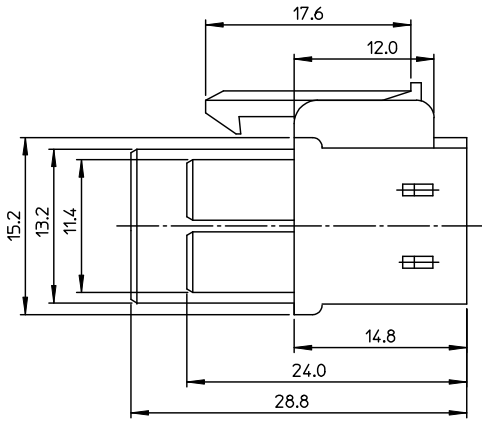
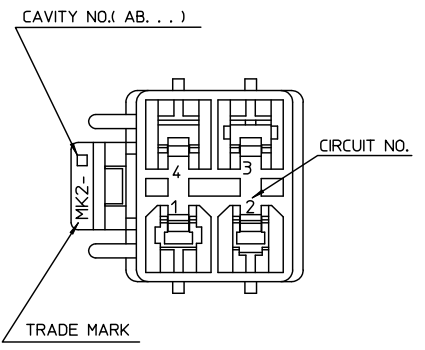
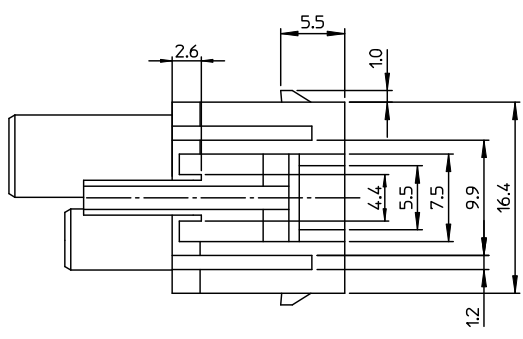
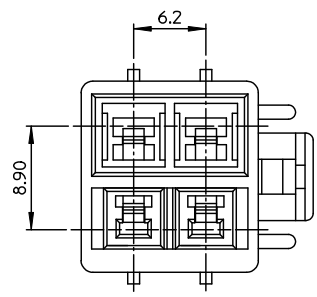


10 9 8 7 6 5 4 3 2 1



NOTES

1. MATERIAL : SEE TABLE

N	PRODUCT		MATERIAL	
	PART NO	MATERIAL NO	COLOR	DESCRIPTION
1	35151-0410	351510410	NATURAL	PBT UL94V-0
2	35151-0412	351510412	RED	
3	35151-0413	351510413	YELLOW	
4	35151-0414	351510414	BLUE	
5	35151-0419	351512419	RED	PC/PET UL94V-0
6	35151-3419	351513419	YELLOW	
7	35151-4419	351514419	BLUE	

2. MATED HOUSING : 35150-040\*/041\*

3 . APPLICATION TERMINAL : 35745 - \*\*\*\* (3CKT)  
 35746 - \*\*\*\* (1CKT)  
 35747 - \*\*\*\* (4CKT)  
 35748 - \*\*\*\* (2CKT)

4. APPLICABLE T.P.A : 35150 - 0290

REVISED EC NO: KOR2009-0112 DPM/NE: JHPARK01 CHKD: 2009/01/23 APPR: YUNSIKKIM 2009/01/23	QUALITY SYMBOLS	GENERAL TOLERANCES (UNLESS SPECIFIED)	DIMENSION STYLE	SCALE	DESIGN UNITS	THIRD ANGLE PROJECTION	
	▼=0 ▽=0	4 PLACES ± --- ± --- 3 PLACES ± --- ± --- 2 PLACES ± --- ± --- 1 PLACE ± 0.3 ± --- ANGULAR ± 1 °	MM ONLY	4:1	METRIC		
			DRAWN BY	DATE	TITLE		
			SK. HAN	2008/01/08	6.2 PITCH W/W FEMALE HSG-4P		
			CHECKED BY	DATE	MOLEX INCORPORATED		
			WY. YANG	2008/01/08	SD-35151-0410		
			APPROVED BY	DATE	SHEET NO.		
			EH. JUNG	2008/01/08	1 OF 01		
			MATERIAL NO.	DOCUMENT NO.	THIS DRAWING CONTAINS INFORMATION THAT IS PROPRIETARY TO MOLEX INCORPORATED AND SHOULD NOT BE USED WITHOUT WRITTEN PERMISSION		
			SEE TABLE				