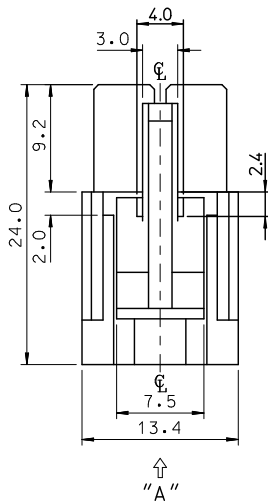
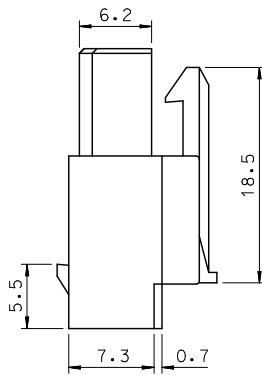
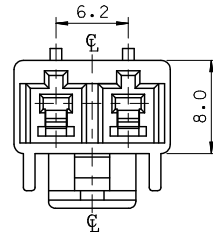
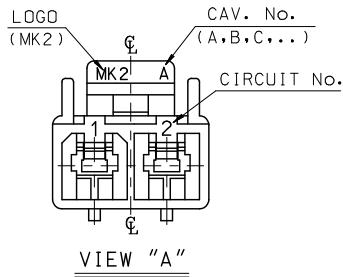


10 9 8 7 6 5 4 3 2 1

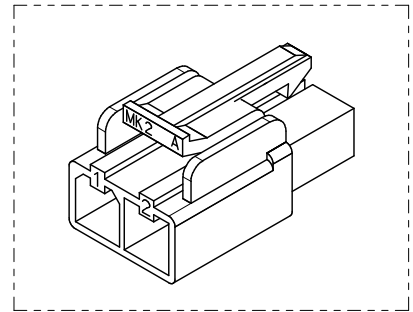


NOTES

1. MATERIAL : SEE TABLE

N	PRODUCT		MATERIAL	
	PART NO	MATERIAL NO	COLOR	DESCRIPTION
1	35151-0210	351510210	NATURAL	PBT UL94V-0
2	35151-0211	351510211	BLACK	
3	35151-0212	351510212	RED	
4	35151-0214	351510214	BLUE	PC/PET UL94V-0
5	35151-0219	351510219	NATURAL	
6	35151-2219	351512219	RED	
7	35151-3219	351513219	YELLOW	
8	35151-4219	351514219	BLUE	

- 2. MATCHED HOUSING : 35150-020\*, 35150-021\*
- 3. APPLIED TERMINAL : 35746-0\*10
- 4. APPLICABLE TPA : 35150-0290



REVISED EC NO.: KOR2009-0168 DRAWN: JHPARK01 2009/07/15 CHKD: WY. YANG 2009/07/17 APPR: YUNSIKKIM 2009/07/17	QUALITY SYMBOLS ▽=0 ▽=0	GENERAL TOLERANCES (UNLESS SPECIFIED)		DIMENSION STYLE MM ONLY		SCALE 2:1	DESIGN UNITS METRIC	THIRD ANGLE PROJECTION	
		4 PLACES ± --- ± ---		DRAWN BY JS. KANG		DATE 1992/11/17		TITLE 6.2 PITCH W/W CONN FEMALE HSG-2P	
		3 PLACES ± --- ± ---		CHECKED BY BK. CHOI		DATE 1992/11/17		MOLEX INCORPORATED	
		2 PLACES ± --- ± ---		APPROVED BY CW. LEE		DATE 1992/11/17		DOCUMENT NO. SD-35151-021*	
1 PLACE ± 0.30 ± ---		ANGULAR ± 1 °		MATERIAL NO. SEE TABLE		SHEET NO. 1 OF 01			
DRAFT WHERE APPLICABLE MUST REMAIN WITHIN DIMENSIONS		SIZE A3		THIS DRAWING CONTAINS INFORMATION THAT IS PROPRIETARY TO MOLEX INCORPORATED AND SHOULD NOT BE USED WITHOUT WRITTEN PERMISSION					

9 8 7 6 5 4 3 2 1