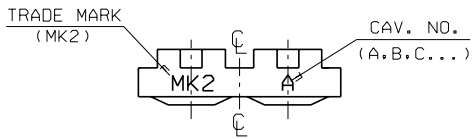
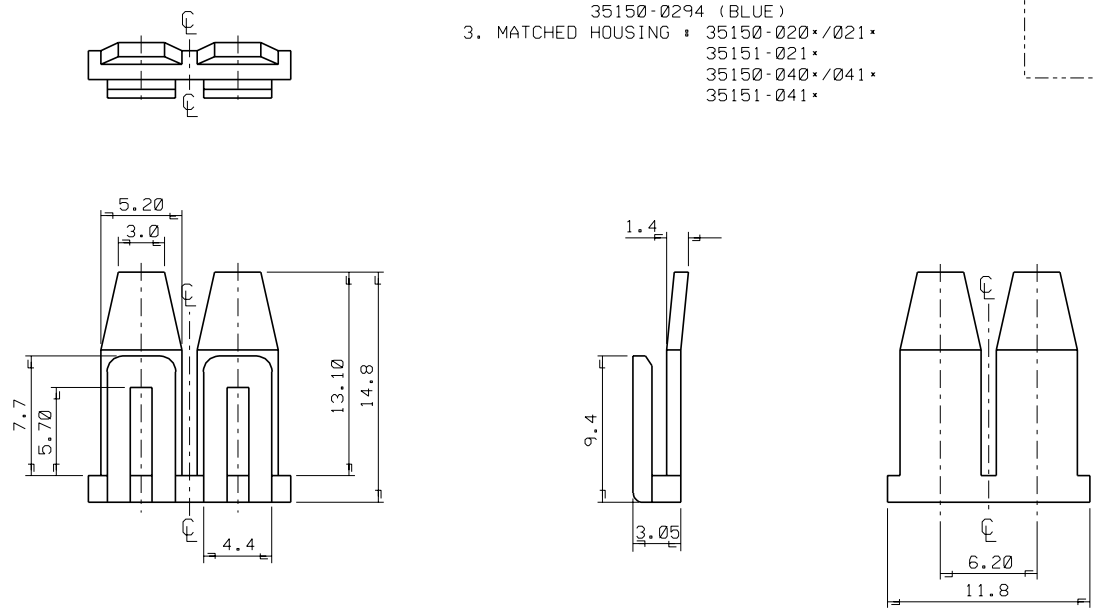
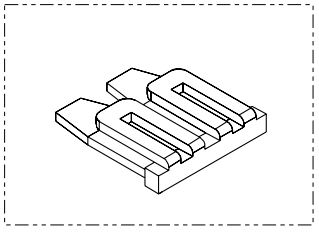


ENG. NO. SD 35150-029*
 EDP. NO.
 SIMILAR ITEM
 PROJECT NO. W/W CONN' -070

8 7 6 5 4 3 2 1

- NOTES
1. MATERIAL : NYLON 66 (UL94V-2)
 2. COLOR : 35150-0290 (NATURAL)
 35150-0292 (RED)
 35150-0293 (YELLOW)
 35150-0294 (BLUE)
 3. MATCHED HOUSING : 35150-020*/021*
 35151-021*
 35150-040*/041*
 35151-041*



		MATERIAL SEE NOTES		molex MOLEX-KOREA CO.,LTD.	
		GENERAL TOLERANCE DIMENSION : +0.3		DRAWN BY J.S.KANG	
		ANGLE : +1°		CHK'D BY	
		DIMENSION CLASSIFICATION		SCALE 4/1	
		▽ : CRITICAL ▼ : MAJOR		TITLE :	
A NEW RELEASED		95 3.10		6.2 PITCH W/W CONN' T.P.A - 2P	
LTR REVISION RECORD		ECN DATE		SHEET 1 OF 1	
REVISE ONLY ON CAD SYSTEM		---		ENG. NO. SD 35150-029* REV A	

THIS DRAWING CONTAINS INFORMATION THAT IS PROPRIETARY TO MOLEX(KOREA) AND SHOULD NOT BE USED WITHOUT WRITTEN PERMISSION MX-A3(ANSI:Z90,420)

S1500290.DGN