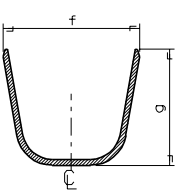
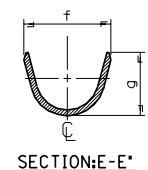
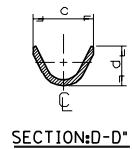
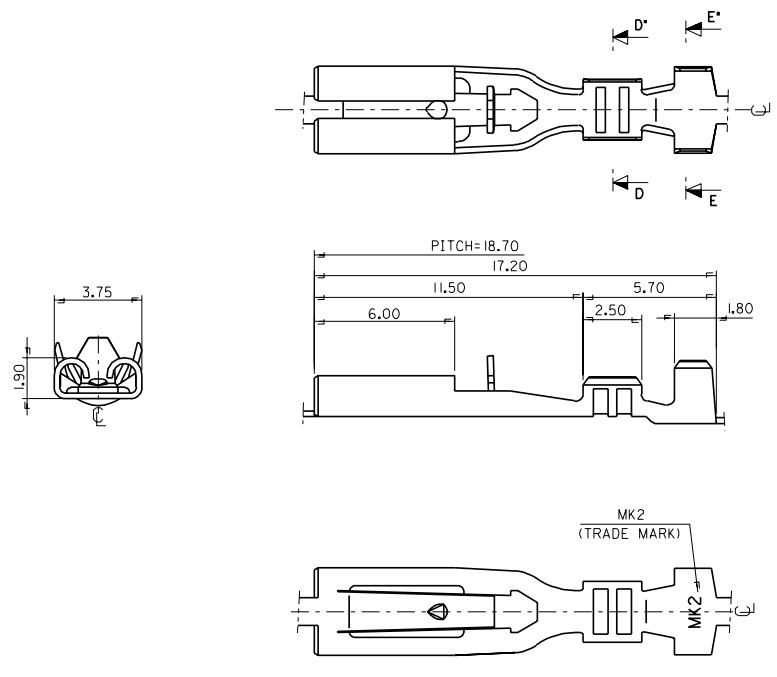


DWG. NO. SIMILAR ITEM PROJECT NO. C B DO NOT SCALE DRAWING DIMENSION IN METRIC

8 7 6 5 4 3 2 1

F E D C B A



SECTION: E-E*
35097-9902

- NOTES**
- MATERIAL: TIN-PLATED BRASS 0.25mm THICK
 - FINISH: PRE-TIN PLATING
 - MATING TAB: 0.5(+) \times 2.8(w)

ENG.NO.	c	d	f	g	WIRE RANGE
35097-9712	2.0	1.85	3.3	3.0	AWG #26-#20
35097-9812	2.8	2.75	4.0	4.1	AWG #20-#16
35097-9912	2.8	2.75	5.9	5.0	AWG #20 \times 2

REVISED EC NO. KOR2000-0090 DRWN: W.Y. YANG 00/11/08 CHK: W.Y. YANG APPR:	QUALITY SYMBOLS MAJOR ∇ = 0 CRITICAL ∇ C = 0	GENERAL TOLERANCES: (UNLESS SPECIFIED)		SCALE 6:1	DESIGN UNITS <input checked="" type="checkbox"/> mm <input type="checkbox"/> INCH	DIMENSIONS: <input type="checkbox"/> mm <input type="checkbox"/> INCH <input checked="" type="checkbox"/> mm ONLY	SHT REV REVISE ON CAD ONLY
		4 PLACES $\pm 0.$ \pm 3 PLACES $\pm 0.$ \pm 2 PLACES ± 0.30 \pm 1 PLACE ± 0.30 \pm	mm INCH mm INCH	DRAWN BY & DATE W.Y. YANG 98/02/17	CHECKED BY & DATE B.K. CHOI 98/02/17	APPROVED BY & DATE C.W. LEE 98/02/17	THIRD ANGLE PROJECTION
D1	REV DESCRIPTION	ANGULAR ± 5.0 °	CAD FILENAME S0979712.DGN	MATERIAL NO. SEE TABLE	DRAWING NO. SD 35097-9*12	MOLEX INCORPORATED KOREA	SIZE B
DRAFT WHERE APPLICABLE MUST REMAIN WITHIN DIMENSIONS		THIS DRAWING CONTAINS INFORMATION THAT IS PROPRIETARY TO MOLEX INCORPORATED AND SHOULD NOT BE USED WITHOUT WRITTEN PERMISSION.		MX-A3			

8 7 6 5 4 3 2 1