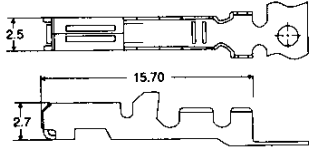


Diagnostic Connectors

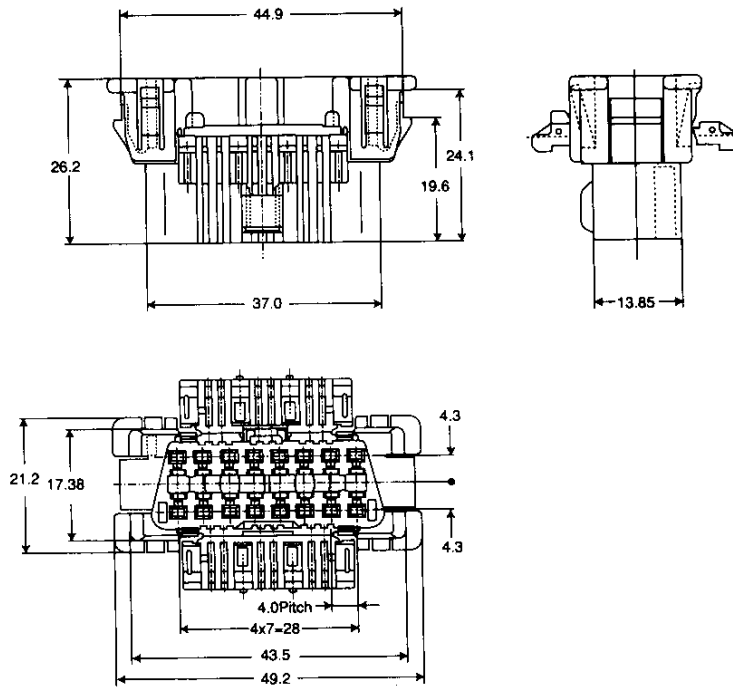
Receptacle Contact

Contact	Wire Range	Wire Ins. Diameter	Material/Finish	Part No.
				S.T.
1.5mm Receptacle 	0.3-0.85mm ² (AWG#22-18)	Ø1.1-2.2mm	Brass/Pre-tin	776001-1
Crimp Specifications : 114-2136				

Plug

16
Pos.

Part Number : 179631-□



*The color of housing is white, and its material is of PBT.

*The figures in □ vary according to housing color.