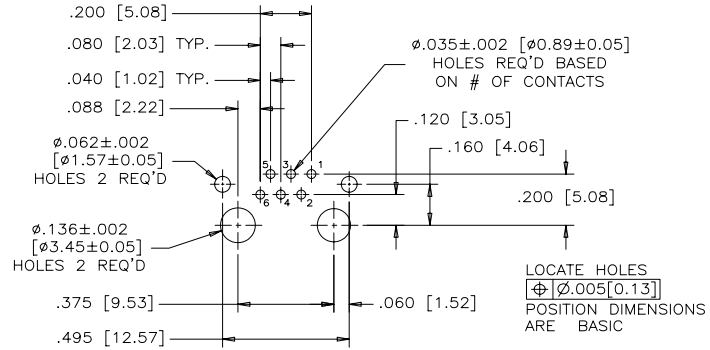
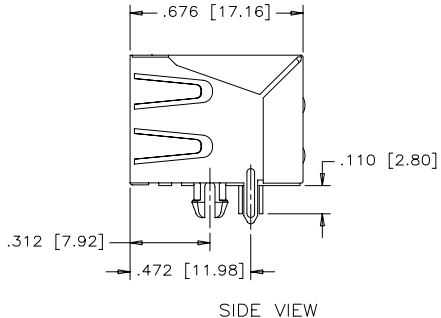
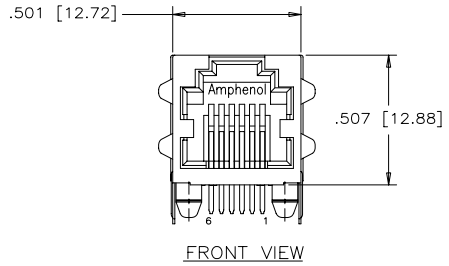


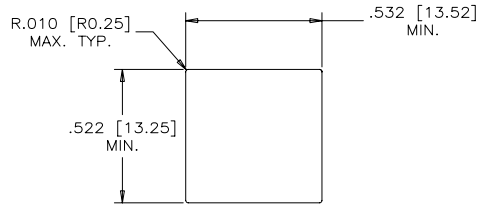
A B C D E F

REVISIONS			
REV	ECN, ERN NO.	DATE	APPRD.
A	PRODUCT DRAWING	OCT.25/04	K.L.



MATERIALS:
 HOUSING: HIGH TEMPERATURE ENGINEERING THERMOPLASTIC
 FLAMMABILITY RATING UL 94V-0
 CONTACTS: PHOSPHOR BRONZE
 PLATING: 50 μ" [1.27 MICRONS]
 MIN. GOLD ON MATING SURFACES.
 50 μ" [1.27 MICRONS]
 MIN. NICKEL UNDERPLATE
 100 μ" [2.54 MICRONS]
 MIN. MATTE TIN ON CONTACT TAILS.
 SHIELD: COPPER ALLOY
 PLATING: NICKEL

RECOMMENDED P.C.B. LAYOUT
 (COMPONENT SIDE OF BOARD)
 (RJE01-662-01 SHOWN, FOOTPRINT FOR
 OTHER PART NUMBERS BASED ON
 # OF CONTACTS & RELATED POSITIONS)



PART NUMBER: RJE01-6X2-01

CONTACTS:
 2 = 2 CONTACTS LOADED IN POSITION 3 & 4.
 4 = 4 CONTACTS LOADED IN POSITION 2 TO 5.
 6 = 6 CONTACTS LOADED IN POSITION 1 TO 6.

RECOMMENDED PANEL CUTOUT

THIS DOCUMENT CONTAINS PROPRIETARY INFORMATION AND SUCH INFORMATION
 MAY NOT BE DISCLOSED TO OTHERS FOR ANY PURPOSE OR USED FOR MANUFACTURING
 PURPOSES WITHOUT WRITTEN PERMISSION FROM AMPHENOL CANADA CORP.

DRAWN L.CHAN	DATE OCT.25/04	Amphenol Canada Corp.
DESIGNED		
CHECKED K.LAMBIE	DATE OCT.25/04	
I. E. APPRD.		
Q. A. APPRD.		TITLE HIGH SPEED MODULAR JACK, SINGLE PORT, EMI QUIET, 6 POSITION, SHIELDED WITH SIDE TABS- RoHS COMPLIANT
DWG. APPRD.		
ENG. REL. NO.		DWG. DRAWING NO.
REF. EAR 12556		P-RJE01-6X2-01
DIMENSIONS ARE IN INCHES [mm]	CODE ID. NO. 03554	SCALE
		WT. ----- SURF. ----- SHEET 1 OF 1

A B C D E F