

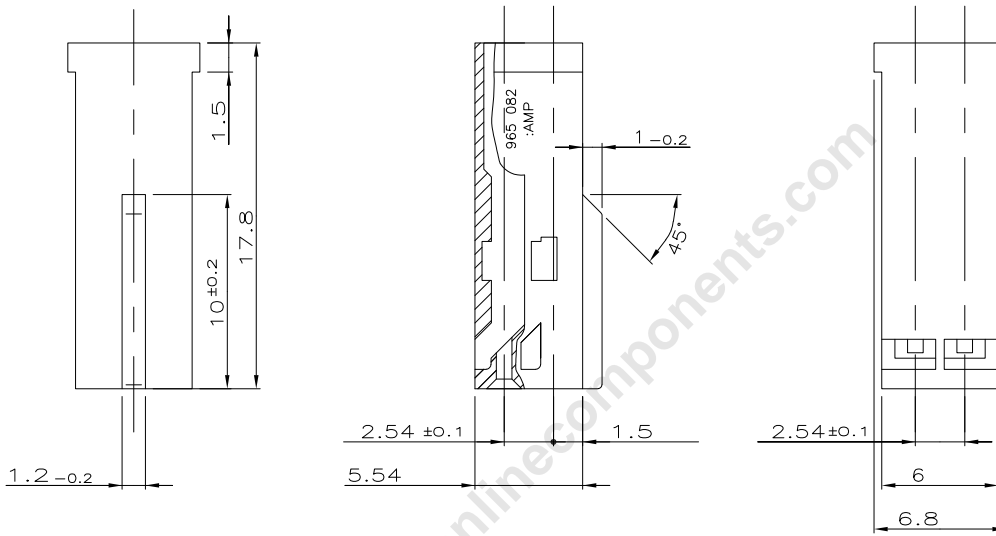
4

3

2

1

|   |  |   |  |             |     |      |           |     |                           |         |     |      |
|---|--|---|--|-------------|-----|------|-----------|-----|---------------------------|---------|-----|------|
| THIS DRAWING IS UNPUBLISHED.                  |  | RELEASED FOR PUBLICATION  |  | WAR NR. -   | LOC | DIST | REVISIONS |     |                           |         |     |      |
| COPYRIGHT - By -                              |  | ALL RIGHTS RESERVED.  |  | PASSEND ZU  | AI  | -    | P         | LTR | DESCRIPTION               | DATE    | DWN | APVD |
| NICHT VERMASSTE KANTEN SIND NICHT MAßSTÄBLICH |  | ÄNDERUNGEN DIE DEM TECHNISCHEN FORTSCHRITT DIENEN, BEHALTEN WIR UNS VOR |  | VERTRAULICH |     |      | 3         |     | REVISED PER ECR-11-025934 | 29DEC11 | RK  | HMR  |



|             |      |       |                               |             |                  |
|-------------|------|-------|-------------------------------|-------------|------------------|
| 965 082-1   | -    | 1     | 2x2 pol. Locking Clip Gehäuse | PBTP 10% GV | schwarz          |
| BESTELL-NR. | POS. | STÜCK | BENENNUNG EINZELTEIL          | WERKSTOFF   | OBERFLÄCHE FARBE |

THIS DRAWING IS A CONTROLLED DOCUMENT.

|      |              |          |
|------|--------------|----------|
| DWN  | A. Lehner    | 25.02.92 |
| CHK  | G. Steinbach | 25.02.92 |
| APVD |              |          |

TE Connectivity

NAME: 2x2 pol. Locking Clip Gehäuse

|                  |  |
|------------------|--|
| PRODUCT SPEC     |  |
| APPLICATION SPEC |  |
| WEIGHT           |  |

|      |    |           |       |            |        |               |  |
|------|----|-----------|-------|------------|--------|---------------|--|
| SIZE | A3 | CAGE CODE | 00779 | DRAWING NO | 965082 | RESTRICTED TO |  |
|------|----|-----------|-------|------------|--------|---------------|--|

CUSTOMER DRAWING

SCALE: 5:1 SHEET: 1 OF 1 REV: 3