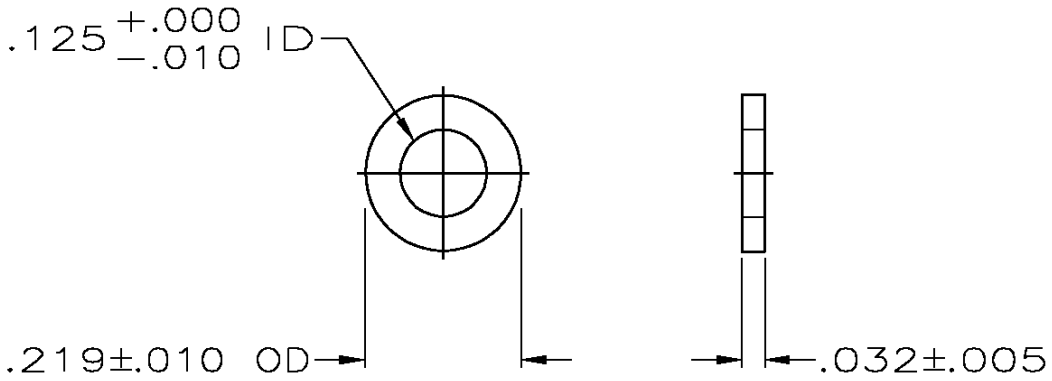


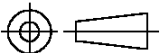
LOC	DIST	REVISIONS					
GP	00	P	LTR	DESCRIPTION	DATE	DWN	APVD
				<a href="http://onlinecomponents.com">onlinecomponents.com</a>			
		0		RELEASED PER EC 0S13-0207-05	21JUN05	RR	JG



- ① ZINC PLATED .000200-.000400 THICK, YELLOW CHROMATE COATING.
- ② ZINC PLATED .000200-.000400 CLEAR, CHROMATE COATING.

②	5205820-3
①	5205820-2
FINISH	PART NO

THIS DRAWING IS UNPUBLISHED. ALL RIGHTS RESERVED. BY TYCO ELECTRONICS CORPORATION.

DIMENSIONS: INCHES  TOLERANCES- UNLESS OTHERWISE SPECIFIED:  0 PLC ± - 1 PLC ± - 2 PLC ± - 3 PLC ± - 4 PLC ± - ANGLES ± -	DWN R.RICHARDSON 21JUN05 CHK C.ROHDE 21JUN05 APVD M.WALMSLEY 21JUN05	MATERIAL COLD ROLLED STL FINISH SEE TABLE
	PRODUCT SPEC - APPLICATION SPEC - WEIGHT -	Tyco Electronics Corporation Harrisburg, Pa 17105-3608  NAME WASHER, PLAIN, #4, AMPLIMITE
	SIZE A4 CAGE CODE 00779 DRAWING NO C=5205820	RESTRICTED TO - SCALE 4:1 SHEET 1 OF 1 REV 0
CUSTOMER DRAWING		