

4

3

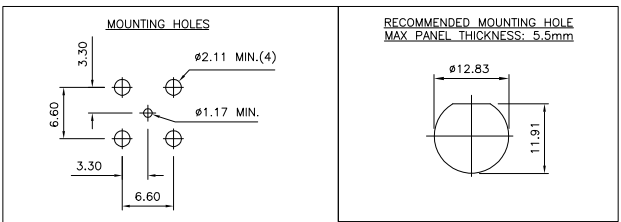
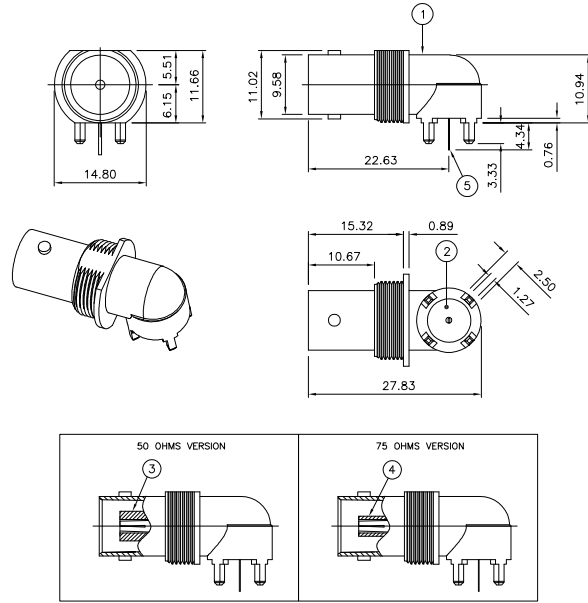
2

1

THIS DRAWING IS UNPUBLISHED. RELEASED FOR PUBLICATION FEB ,2004.
 © COPYRIGHT 2004 BY TYCO ELECTRONICS CORPORATION. ALL RIGHTS RESERVED.

LOC	DIST	REVISIONS			
P	LTR	DESCRIPTION	DATE	DWN	APVD
C		ECR-06-021506	120CT06	JMS	FWK

- NOTES:**
- 1. PACK IN ACCORDANCE WITH AMP SPEC 107-3275
 - 2. 100 TRAY PACK IN ACCORDANCE WITH AMP SPEC 107-3275
 - 3. Au PLATING
 - 4. Ni PLATING
5. **ELECTRICAL CHARACTERISTICS**
 FREQUENCY RANGE: 50 Ohm DC - 4 GHz
 75 Ohm DC - 2 GHz
 INSULATION RESISTANCE: 5000 MOhm
 WORKING VOLTAGE: 500 Volts RMS at Sea Level
 DIELECTRIC WITHSTAND VOLTAGE: 1500 Volts RMS Max
 CONTACT RESISTANCE: 1.50 mOhm Max
 CENTRE CONTACT: 0.20 mOhm Max
 OUTER CONTACT:
6. **MECHANICAL CHARACTERISTICS**
 MOUNT NUT RECOMMENDED TORQUE: 4N
 DURABILITY: 50 Cycles Min
7. **ENVIRONMENTAL CHARACTERISTICS**
 OPERATING TEMPERATURE: -65 to +85 DegC
8. FOR TECHNICAL DATA REFER TO YOUR LOCAL TYCO ELECTRONICS SALES OFFICE
9. ALL DIMENSIONS ARE NOMINAL FOR REFERENCE ONLY UNLESS OTHERWISE STATED



QUANTITY PER ASSY	PARTS LIST	ITEM				
1	1	1	1	PHOSPHER BRONZE	CONTACT	5
1	1	-	-	TPX	INSULATION	4
-	-	1	1	TPX	INSULATION	3
1	1	1	1	PTFE	INSULATION	2
1	1	1	1	ZINC ALLOY	BODY	1
5--3	5--2	5--1	5--0	MATERIAL	DESCRIPTION	ITEM

THIS DRAWING IS A CONTROLLED DOCUMENT.

DIMENSIONS:	TOLERANCES UNLESS OTHERWISE SPECIFIED:	DWN	25FEB04	 Tyco Electronics Corporation Bideford EX39 4HE	
mm	0 PLC ± .05	CHK	25FEB04		
	1 PLC ± .02	APVD	25FEB04		
	2 PLC ± .01				
	3 PLC ± .01			NAME	BNC ELBOW BULKHEAD PCB SOCKET LOW PROFILE
	4 PLC ± .01			PRODUCT SPEC	50 & 75 OHMS - DIECAST
	ANGLES ± .05			APPLICATION SPEC	-
MATERIAL	FINISH	WEIGHT		SIZE	A3
-	-	-		CAGE CODE	00779
				DRAWING NO	1634556
				RESTRICTED TO	-
				CUSTOMER DRAWING	
				SCALE	NTS
				SHEET	1 OF 1
				REV	C