

4

3

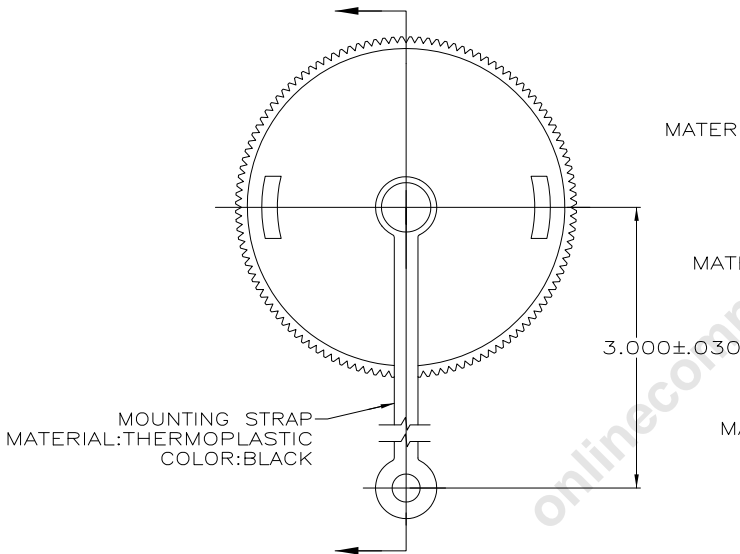
2

1

THIS DRAWING IS UNPUBLISHED. RELEASED FOR PUBLICATION
 © COPYRIGHT - By - [onlinecomponents.com](http://www.onlinecomponents.com)
 ALL RIGHTS RESERVED.

LOC	DIST	REVISIONS			
P	LTR	DESCRIPTION	DATE	DWN	APVD
BD	35	G3	REVISED PER ECO-11-004917	11MAR11	RK HMR

- 1 FINISH: ZINC PLATE WITH CLEAR CHROMATE
- 2 FINISH: ZINC PLATE WITH NON-HEXAVALENT CHROMATE

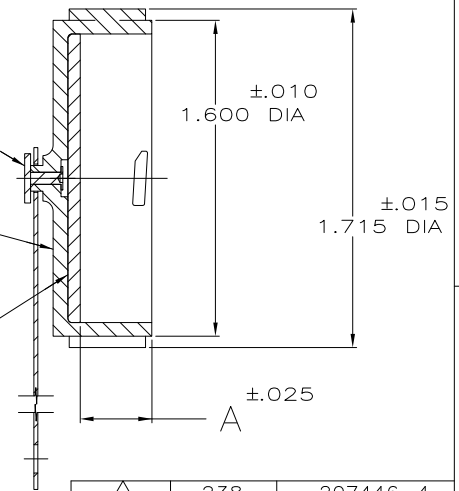


MATERIAL: CARBON
 RIVET
 STEEL

1 2

SEALING CAP
 MATERIAL: THERMOPLASTIC
 COLOR: BLACK

SEALING GASKET
 MATERIAL: ELASTOMER
 COLOR: BLACK



2	.238	207446-4
2	.363	207446-3
1	.238	207446-2
1	.363	207446-1
FINISH	A	PART NUMBER

SUPERCEDED BY 207446-4
 SUPERCEDED BY 207446-3

THIS DRAWING IS A CONTROLLED DOCUMENT.		DWN	S. RIDGLEY	BG	8/1/90	STE TE Connectivity	
DIMENSIONS: INCHES		CHK	R. STONE		4-26-91		
TOLERANCES UNLESS OTHERWISE SPECIFIED:		APVD	K. BEAVER		4-30-91	SEALING CAP ASSY, SIZE 23, CPC	
0 PLC ± -		PRODUCT SPEC		APPLICATION SPEC		RESTRICTED TO	
1 PLC ± -		WEIGHT		SIZE		CAGE CODE	
2 PLC ± -		MATERIAL		DRAWING NO		DRAWING NO	
3 PLC ± .005		SEE CALLOUTS		A3		00779	
4 PLC ± -		FINISH		C-207446		SCALE	
ANGLES ± -		SEE CALLOUTS		CUSTOMER DRAWING		2:1	
				SHEET		1 OF 1	
				REV		G3	