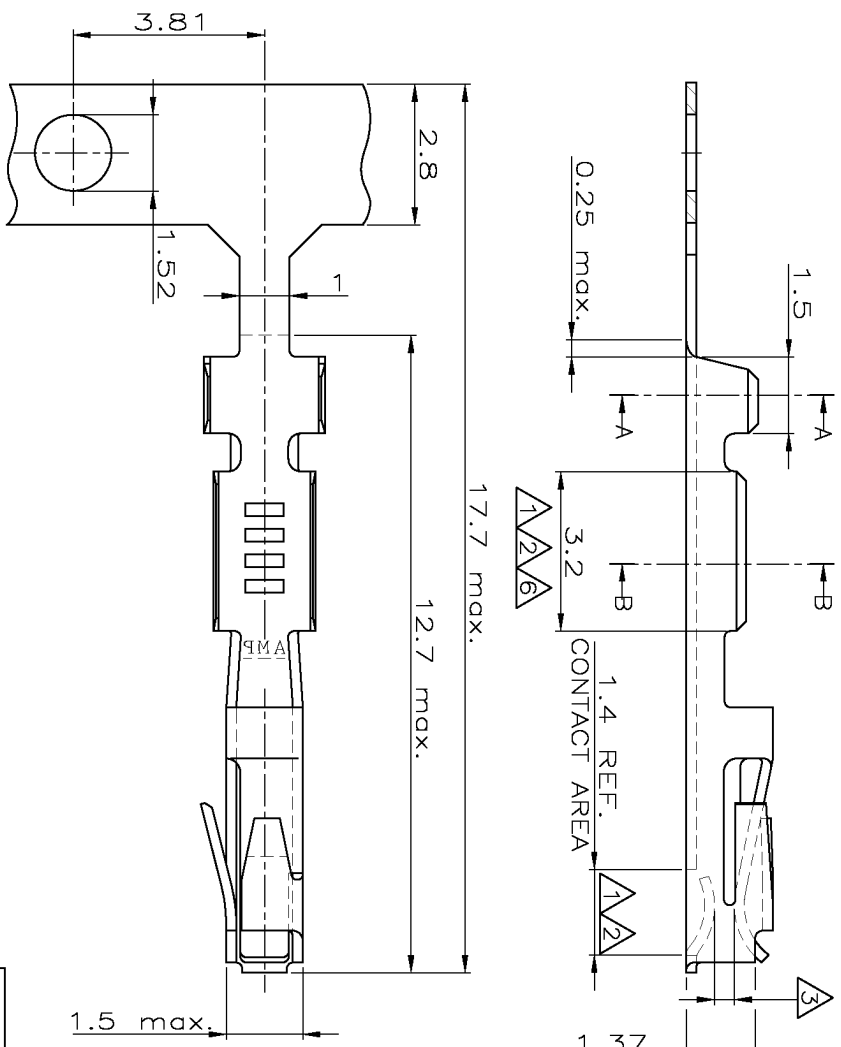


REV	DESCRIPTION	DATE	DWN	APVD
1	ECR-06-017913	01-AUG-06	Abt	Brun
2	ECR-07-020575	29-AUG-07	Fueh	Brun
3	ECR-07-021100	05-SEP-07	Abt	Brun

NOTES:

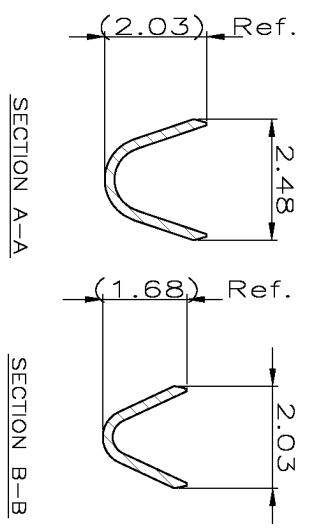
- 1 UNDERCOATING: 0,8µm NICKEL OVERALL.
 CONTACT AREA: 0,8µm GOLD.
 CRIMP AREA : GOLDFLASH
- 2 UNDERCOATING: 0,8µm NICKEL OVERALL.
 CONTACT AREA: 1,25µm GOLD.
 CRIMP AREA : GOLDFLASH
- 3 SUITABLE FOR 0,64x0,64 POST.
- 4 UNDERCOATING: 0,8µm NICKEL OVERALL.
 CONTACT AREA: 0,4µm GOLD.
 CRIMP AREA : GOLDFLASH
- 5 ADVANCED PROD. NRS. FOR DIN 41612 PART 5 SPEC.
- 6 PLATING : 2,0 µm TIN OVERALL.
- 7 REVERSE REELED FOR USE WITH MINI APPLICATOR.
- 8 STANDARD REELED FOR USE WITH STANDARD APPLICATOR.



SUPERSEDED BY 166500-2

LOOSE PIECE NUMBER	PLATING	MATERIAL	STRIPNUMBER	REV
166722-1	1	PHOSPHORBRONZE	1-166500-2	1
166722-6	8	PHOSPHORBRONZE	1-166500-1	1
166722-6	8	PHOSPHORBRONZE	166500-9	1
166722-4	6	PHOSPHORBRONZE	166500-7	1
166722-2	2	PHOSPHORBRONZE	166500-4	1
166722-1	1	PHOSPHORBRONZE	166500-2	1

WIRE RANGE :
 20 - 24 (26) AWG
 INSULATION RANGE :
 1,40 MAX DIA.



SECTION A-A SECTION B-B

DIMENSIONS: mm		DIMENSIONS: mm	
TOLERANCES UNLESS OTHERWISE SPECIFIED: h, ISO 2768 - mH		TOLERANCES UNLESS OTHERWISE SPECIFIED: h, ISO 2768 - mH	
MATERIAL FINISH / OBERFLAECHE / RAUHE		MATERIAL FINISH / OBERFLAECHE / RAUHE	

APVD	18-JUL-00	WIRE RANGE	20 - 24 (26) AWG
APVD	18-JUL-00	INSULATION RANGE	1,40 MAX DIA.

Tyco Electronics
 tyco Electronics AMP GmbH
 D - 64625 Bensheim

STANDARD TANDEM SPRING RECEPTACLE

SIZE	03	DATE	10.1	REV	Y4
QAGE CODE	00779	DRAWING NO.	166500	OF	1
WEIGHT		ZEICHNUNGS-NR.	166500	VON	1
REPARATURSPEZ.		MASSSTAB	1:1	BLATT	1
CUSTOMER DRAWING	/KUNDENZEICHNUNG				