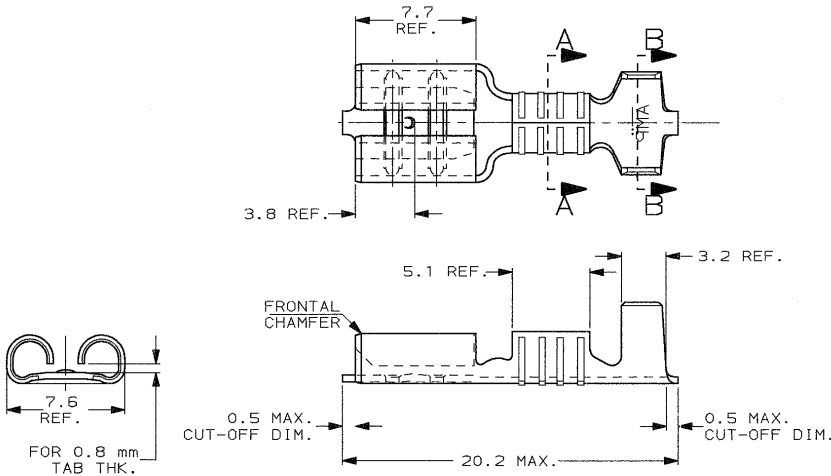


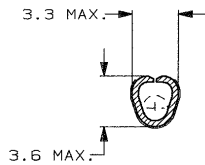
SCALA NON IMPENIATIVA
(DO NOT SCALE)
DIMENSIONI IN mm
(DIMENSIONS IN mm)

METRIC

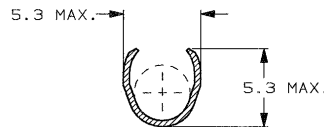


1) PER LE VERSIONI IN NASTRO
VEDERE DISEGNO 160256
(FOR STRIP FORM VERSION SEE DRAWING 160256)

SEZIONE A-A
SECTION A-A



SEZIONE B-B
SECTION B-B



PRE NICHIELATO (PRE NICKEL PLATED)	ACCIAIO (STEEL)	2-160304-4	Y
STAGNATO (TIN PLATED)	BRONZO FOS. (PHOS. BRONZE)	1-160304-8	Y
ARGENTATO (SILVER PLATED)	OTTONE (BRASS)	1-160304-7	Y
NUDO (PLAIN)	BRONZO FOS. (PHOS. BRONZE)	1-160304-5	Y
STAGNATO (TIN PLATED)	OTTONE (BRASS)	1-160304-2	Y
NUDO (PLAIN)	OTTONE (BRASS)	1-160304-0	Y
FINITURA / COLORE (FINISH / COLOUR)	MATERIALE (MATERIAL)	NUMERO (PART NUMBER)	REV

CUSTOMER DWG. FOR REFERENCE ONLY
DISEGNO PER CLIENTE SOLO PER RIFERIMENTO

THIS DRAWING IS UNPUBLISHED	RELEASE FOR PUBLICATION	19
© COPYRIGHT IS RESERVED. AMP PRODUCTS MAY BE COVERED BY U.S. AND FOREIGN PATENT AND/OR PATENT PENDING.		
TOLLERANZE, SE NON DIVERSAMENTE SPECIFICATE (TOLERANCES, UNLESS OTHERWISE SPECIFIED)	DIAM. ISOLANTE (INS. DIA. RANGE)	SCALA (SCALE)
± 0.3	3.0-4.3	4:1
ANGOLI (ANGLES)	AMP AMP ITALIA S.p.A. Corso F.lli Cervi, 15 COLLENO (TORINO)	
DIS. H. YAALI (DR.)	DESCRIZIONE (DESCRIPTION)	
15 SEP 2000	FASTON® Connector, .250 sr. REC. CONTACT. (LOOSE PIECE VERSION)	
CONT. C. TARTARI (CON)	LOC. SIZE NUMERO (DWG NO)	REV. PAG. LO (SHEET)
15 SEP 2000	I A 3 C-160304	Y 1 (1 OF 1)

REV.	OBSOLETE PARTS & REDRAWN	H. Y.	PS	APP.
	ET00-0245-00		2000	
	REVISIONI (REVISION RECORD)	DIS. DATA (DR DATE)		

DISEGNO PER CLIENTE SOLO PER RIFERIMENTO