



Zilog's ZMOTION™ Detection and Control Family Featuring PIR Technology



ZMOTION™ DETECTION & CONTROL FAMILY ADVANTAGES

- MCU, PIR SENSOR, AND LENS SOLUTION
- MOTION DETECTION ALGORITHMS BUILT INTO MCU
- 4 KB FLASH FOR APPLICATION CODE
- OPTIMIZED DETECTION PERFORMANCE AND RELIABILITY
- BETTER STABILITY AND SENSITIVITY THAN TRADITIONAL DESIGNS
- NO TEMPERATURE COMPENSATION REQUIRED
- NO NEED TO DEVELOP COMPLEX MOTION DETECTION SOFTWARE
- LARGE SELECTION OF LENSES AVAILABLE WITH OPTIMIZED SETTINGS PROVIDED
- ZMOTION MCU AVAILABLE SEPARATELY TO USE WITH YOUR OWN LENS/PYRO
- DIRECT SENSOR INTERFACE ELIMINATES EXTERNAL COMPONENTS
- REDUCED BOM COSTS
- COMPLETE YOUR DESIGNS FASTER

Superior Motion Detection Solutions Enabling Faster Development Cycles

Overview

Zilog's ZMOTION™ Detection and Control Product Family is a series of high-performance microcontrollers with integrated motion detection algorithms combined with a selection of lenses and Passive Infrared (PIR) sensors to fit a wide range of application requirements. Optimized configuration parameters for the ZMOTION™

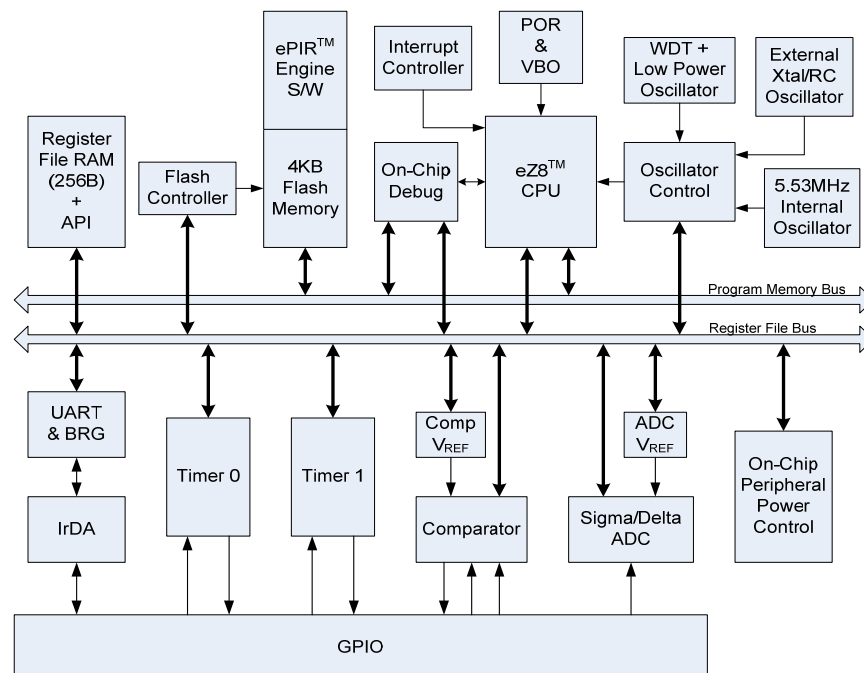
MCU are provided for each lens/sensor combination ensuring the best possible performance while significantly reducing development risk and minimizing time to market.

Zilog's ZMOTION™ MCU combines the programmability and rich peripheral set of the Flash-based Z8F042A Encore! XP® MCU with built-in software-based motion detection algorithms. These motion detection algorithms comprise the PIR engine and run in the background of the MCU while control and status of the engine is accessed through a software API (Application Programming Interface). Create your own application-specific software while taking advantage of Zilog's Enhanced PIR motion-detection technology.

Optimize the performance of your product by choosing a lens that closely matches your application. Use your own or select from our family of lenses spanning 360 degree ceiling, 180 degree wall mount, 25 meter long range, and 5 meter short range. API settings are provided to match the PIR engine operation to each of the lens and PIR sensor combinations provided.

Zilog's Enhanced PIR motion-detection technology provides a dramatic improvement in both sensitivity and stability over traditional designs and is scalable to many market segments including Lighting Control, HVAC, Access Control, Vending, Display, Proximity, Power Management, Occupancy Sensing, and many others.

ZMOTION™ MCU Block Diagram



KEY FEATURES

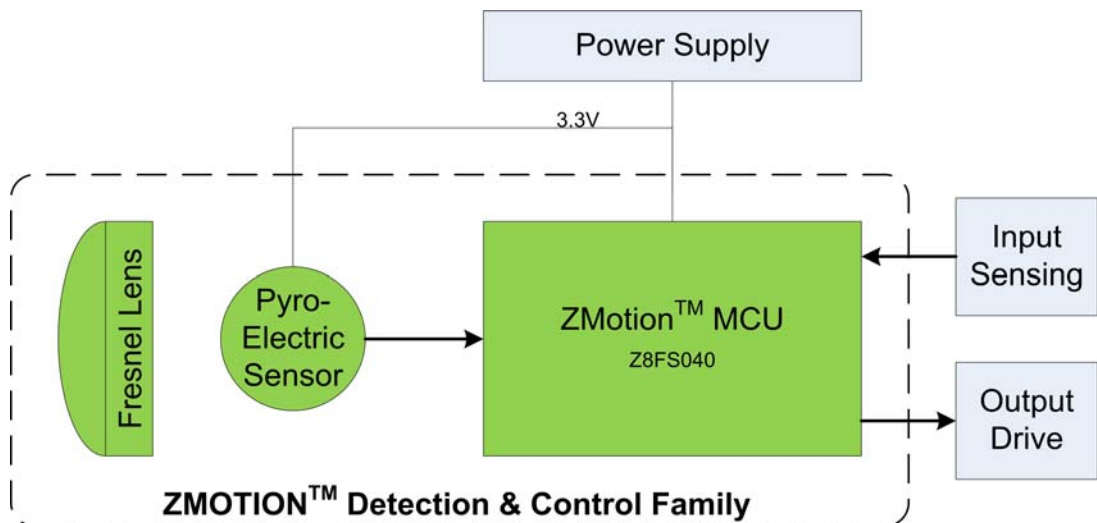
- ADVANCED STATISTICALLY BASED MOTION DETECTION PROCESSING
- 4 KB FLASH FOR APPLICATION CODE
- SUPPORTS DESIGNS REQUIRING 1 OR 2 PIR SENSORS
- HYPERSENSE MODE FOR LIGHTING APPLICATIONS
- HIGH RESOLUTION SIGMA DELTA ADC
- LOW POWER MODES
- API PROVIDES FULL CONTROL AND STATUS OF MOTION DETECTION ENGINE
- WORLD CLASS ZDS-II DEVELOPMENT ENVIRONMENT

ZMOTION™ Detection and Control Family Feature Set

- Optimized assemblage of MCU, Lens, and PIR Sensor
- High-performance eZ8® MCU core
- 4 KB in-circuit programmable Flash available for application code
- Single-pin debug with unlimited breakpoints
- Internal precision oscillator running at 5.53 MHz
- External oscillator operating up to 20 MHz
- Sigma Delta ADC with up to 6 channels single ended or 3 channels differential available
- On-chip analog comparator with independent programmable reference voltage
- Full-duplex UART with dedicated BRG
- Two 16-bit timers with input capture, output compare, and PWM capability (11 modes total)
- Watchdog timer (WDT) with dedicated internal oscillator
- 6 to 25 I/O pins depending upon package
- 2.7 V to 3.6 V operating voltage with extended operating temperature range -40°C to $+105^{\circ}\text{C}$
- Enhanced PIR software engine controlled and monitored through software API registers
- Select from an assortment of lenses and pyroelectric sensors to best fit your application
- Optimized API settings provided for each lens and pyroelectric sensor combination
- Create your own API settings to match your own lens
- Directly supports 1 or 2 pyroelectric sensors
- Sensitivity control, range control, and directionality detection
- Hypersense detection mode for Occupancy sensing
- Low power modes

With Zilog's ZMOTION™ Detection and Control Solution, the system bill of materials is significantly reduced. The pyroelectric sensor is directly interfaced to the MCU eliminating external op-amps, electrolytic capacitors, and other components used in traditional designs. The new statistical processing algorithms provided by the Enhanced PIR motion-detection engine also eliminate the need for a discrete temperature compensation circuit.

This all leads to a simpler and smaller circuit design, providing better reliability, sensitivity, and stability than traditional designs.



APPLICATIONS

- LIGHTING CONTROL
- ACCESS CONTROL
- CUSTOMER SENSING
- HVAC CONTROL
- OCCUPANCY SENSING
- VENDING APPLICATIONS
- AUTOMATIC DISPLAYS
- PROXIMITY
- POWER MANGEMENT

Ordering Information

The ZMOTION™ Detection and Control Family is comprised of the ZMOTION™ MCU, Lens, and Pyroelectric sensor. Construct your part number based on the specific combination of MCU, Lens, and Pyroelectric sensor you wish to order. There are four fields in the part number that determine this combination. The ZMOTION™ MCU is also available separately.

Order the ZMOTION™ Detection and Control product from Zilog® using the following guide.

Position:	1	2	3	4	5	6	7	8	9	10	11	12	13
Field	Z	M	O	T	MCU	MCU Package	Lens	PIR	G				
Selected Options													

For complete ordering information, please refer to the ZMOTION™ Product Specification (PS0285).

For more information about Zilog's motion detection products, ordering or product collateral, please consult your local Zilog distributor or representative. You can find sales office locations and the most current product information on our website; please visit us at www.zilog.com.

ZMOTION™ MCU Options

Three MCU options provide you with the flexibility needed to optimize for size and functionality.

ZMOTION™ Detection MCU Part Number	Flash Memory	GP I/O	ADC Channels	Package	MCU Field	MCU Package Field
Z8FS040BSB20EG	4 KB	5	3	8-pin SOIC	0B	SB
Z8FS040BHH20EG	4 KB	16	4	20-pin SSOP	0B	HH
Z8FS040BHJ20EG	4 KB	22	6	28-pin SSOP	0B	HJ

Order the ZMOTION MCU separately using part numbers from the above table.

Pyroelectric Sensor Options

Choose from the three PIR Sensors available depending on your application requirements. Not all sensors are suitable for all lenses.

Part Number	Description	PIR Field
RE200B-P	Basic Dual Element	0A
SDA02-54-P	Premium Dual Element	0B
SBDI46-504AA	Quad Element	0C

Lens Options

A selection of matched lenses and pyroelectric sensors are available to meet a variety of applications. The Lens Field and PIR Fields columns in the table below correspond to Zilog part numbers; please see Ordering Information on the previous page. For detailed information about each lens type, refer to the ZMOTION Lens and Pyroelectric Sensor Product Specification (PS0286).

Description & Part Number	Typical Applications	Lens Fields	PIR Fields	Pyro Sensor
Animal Alley Array (88°) AA 0.9 GI T1 Lens Specification <ul style="list-style-type: none"> • 35.6 mm x 49.9 mm flat Fresnel • 22.9 mm focal length • 25 meter range • 22 equal segments 	Corner wall mount or very high ceiling with rectangular floor pattern <ul style="list-style-type: none"> • Warehouse lighting (bay light) • Large-area lighting control • HVAC 	0A	0A	RE200B-P
			0B	SDA02-54-P
Ceiling Mount Array (360°) CM 0.77 GI V3 Lens Specification <ul style="list-style-type: none"> • 37 mm diameter circular lens • 19.6 mm focal length • 3.7 m radius at 2.4 m height • 3:1 diameter-to-height floor coverage 	Ceiling mount for standard commercial heights <ul style="list-style-type: none"> • Lighting control • HVAC control • Meeting rooms 	0B	0A	RE200B-P
			0C	SBD146-504AA
Ceiling Mount Array (360°) CM 0.77 GI V5 Lens Specification <ul style="list-style-type: none"> • 37 mm diameter circular lens • 19.6 mm focal length • 12.2 m radius at 12.2 m height • 2:1 diameter-to-height floor coverage 	High ceiling mount for commercial and industrial applications <ul style="list-style-type: none"> • Commercial lighting control • Commercial HVAC control • Street lighting 	0C	0A	RE200B-P
			0C	SBD146-504AA
Ceiling/Wall Mount Array (180°) CWM 0.5 GI V1 Lens Specification <ul style="list-style-type: none"> • Circular lens with 24 mm x 24 mm square base • 14.2 mm focal length • Board mount clip-in 	Wall or ceiling mount for office or meeting room lighting and HVAC control <ul style="list-style-type: none"> • Room lighting control • HVAC control 	0D	0A	RE200B-P
			0C	SBD146-504AA
Clip-on 15 mm Array (360°) NCL-9(26) Lens Specification <ul style="list-style-type: none"> • Clips on to pyroelectric sensor • 2.25 m radius at 2 m height • 2.1:1 diameter-to-height floor coverage 	Room occupancy and proximity sensing <ul style="list-style-type: none"> • Lighting control • HVAC control • Appliance • Kiosk/display control • Vending power management 	1A	0A	RE200B-P
			0C	SBD146-504AA
10 mm Wall Mount Array (70°) NCL-10IL Lens Specification <ul style="list-style-type: none"> • Clips on to pyroelectric sensor • 6 beams (X); 2 beams (Y) • 10 meter range 	Proximity sensing or entrance detection <ul style="list-style-type: none"> • Kiosk • Vending • HVAC • Display counters 	1B	0A	RE200B-P
10 mm Wall Mount Array (40°) NCL-3B Lens Specification <ul style="list-style-type: none"> • Clips on to pyroelectric sensor • 4 beams (X); 2 beams (Y) • 10 meter range 	Proximity sensing or entrance detection <ul style="list-style-type: none"> • Kiosk • Vending • HVAC • Display counters 	1C	0A	RE200B-P

Description & Part Number	Typical Applications	Lens Fields	PIR Fields	Pyro Sensor
10 mm Ceiling/Wall Mount Array (360°) NCL-3R Lens Specification <ul style="list-style-type: none"> Clips on to pyroelectric sensor 2:1 diameter-to-height coverage 14 zones 5 meter range 	Room occupancy and proximity sensing <ul style="list-style-type: none"> Lighting control HVAC control Appliances Kiosk/display control Vending power management 	1D	0A	RE200B-P
			0C	SBD146-504AA
10 mm Wall Mount Array (18°) NCL-10S Lens Specification <ul style="list-style-type: none"> Clips on to pyroelectric sensor 2 beams X (27°) 1 beam Y (18°) 10 meter range 	Entrance detection with directional detection <ul style="list-style-type: none"> Kiosk/display counters Vending HVAC Entrance/access control 	1E	0A	RE200B-P

Documentation

For a complete listing of all available application notes, data sheets, user manuals, and sample libraries, please visit us at www.zilog.com.

Document Number	Description
PS0285	ZMOTION™ Detection and Control Family Product Specification
PS0286	ZMOTION™ Lens and Pyroelectric Sensor Product Specification
PS0228	Z8 Encore! XP Series Product Specification
WP0017	A New PIR Motion Detection Architecture White Paper
UM0230	ZMOTION™ Detection & Control Development Kit User Manual
QS0076	ZMOTION™ Detection & Control Development Kit Quick Start Guide

Related Products

Zilog carries a number of motion detection products to suit your application requirements. For more information about the following products, please visit us at www.zilog.com.

Product Name	Part Number	Description
ZMOTION Detection & Control Development Kit	ZMOTIONL100ZCOG	Development Kit for the ZMOTION Detection & Control Family
ZMOTION Detection Module	ZEPIROAAS02MODG	Low-profile motion detection module
ZMOTION Detection Module Development Kit	ZEPIR000102ZCOG	Development Kit for the ZMOTION Detection Module
Z8 Encore! XP F08xA Series	Z8F082A	Z8 Encore! XP Microcontroller



Warning: DO NOT USE THIS PRODUCT IN LIFE SUPPORT SYSTEMS.

LIFE SUPPORT POLICY

ZILOG'S PRODUCTS ARE NOT AUTHORIZED FOR USE AS CRITICAL COMPONENTS IN LIFE SUPPORT DEVICES OR SYSTEMS WITHOUT THE EXPRESS PRIOR WRITTEN APPROVAL OF THE PRESIDENT AND GENERAL COUNSEL OF ZILOG CORPORATION.

As used herein

Life support devices or systems are devices which (a) are intended for surgical implant into the body, or (b) support or sustain life and whose failure to perform when properly used in accordance with instructions for use provided in the labeling can be reasonably expected to result in a significant injury to the user. A critical component is any component in a life support device or system whose failure to perform can be reasonably expected to cause the failure of the life support device or system or to affect its safety or effectiveness.

Document Disclaimer

©2011 Zilog, Inc. All rights reserved. Information in this publication concerning the devices, applications, or technology described is intended to suggest possible uses and may be superseded. ZILOG, INC. DOES NOT ASSUME LIABILITY FOR OR PROVIDE A REPRESENTATION OF ACCURACY OF THE INFORMATION, DEVICES, OR TECHNOLOGY DESCRIBED IN THIS DOCUMENT. ZILOG ALSO DOES NOT ASSUME LIABILITY FOR INTELLECTUAL PROPERTY INFRINGEMENT RELATED IN ANY MANNER TO USE OF INFORMATION, DEVICES, OR TECHNOLOGY DESCRIBED HEREIN OR OTHERWISE. The information contained within this document has been verified according to the general principles of electrical and mechanical engineering.

Z8 Encore! XP and ZMOTION are trademarks or registered trademarks of Zilog, Inc. All other product or service names are the property of their respective owners.

zilog

An IXYS Company

EMBEDDED IN LIFE

WWW.ZILOG.COM | 408-457-9000

Zilog and the Zilog logo are registered trademarks of Zilog, Inc. in the United States and in other countries.