

October 2003

Features

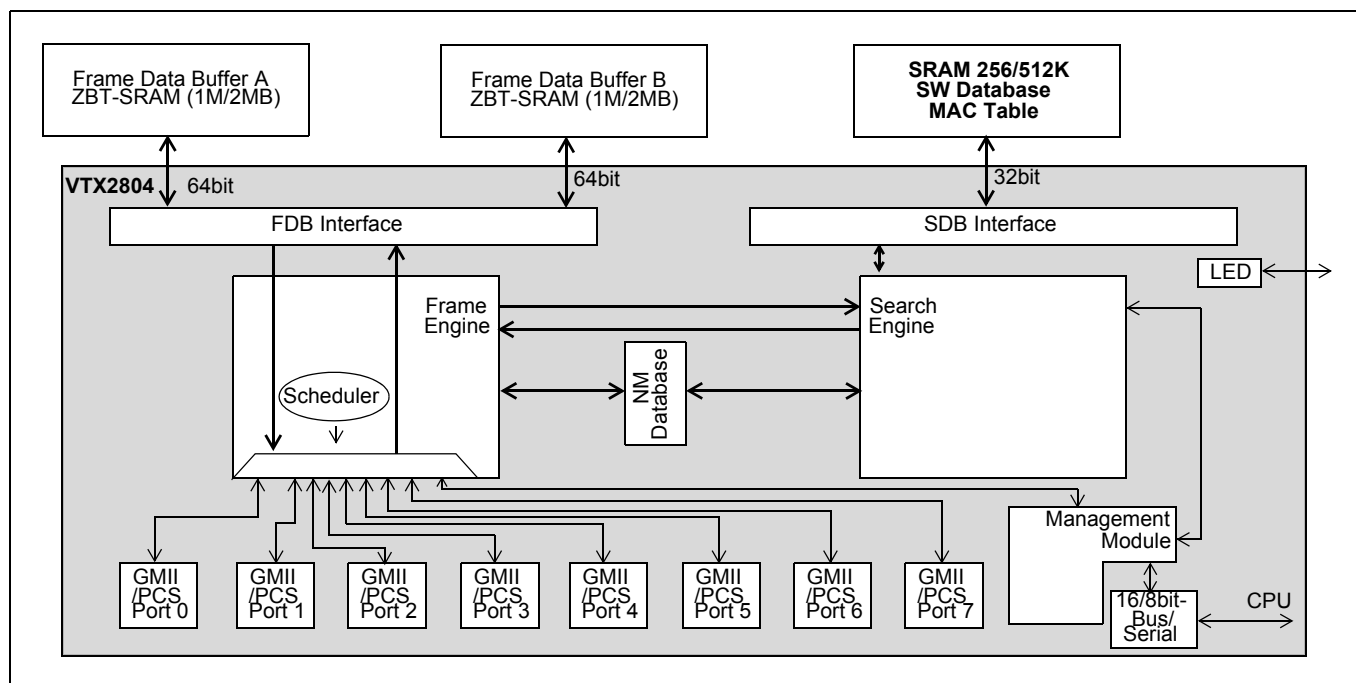
- 8 Gigabit Ports with GMII and PCS interface
 - Gigabit Port can also support 100/10 Mbps MII interface
 - Provide Hot plug support for GMII/PCS module
 - 2 Gigabit ports can be aggregated into 2Gbps Stacking port working with VTX2600 in stacking mode
- High Performance Layer 2 Packet Forwarding (11.904M packets per second) and Filtering at Full-Wire Speed
- Maximum throughput is 8 Gbps non-blocking
- Centralized shared-memory architecture
- Consists of two Memory Domains at 133 MHz
 - Frame Buffer Domain: Two banks of ZBT-SRAM with 2M/4MB total
 - Switch Database Domain with 256K/512K SRAM
- Up to 64K MAC addresses to provide large node aggregation in wiring closet switches
- Provides Port based and ID Tagged VLAN (IEEE802.1Q) up to 4K VLAN

Ordering Information

MVTX2804AG 596 Pin HSBGA

-40°C to +85°C

- Support IP Multicast with IGMP snooping up to 64K groups.
- Traffic Classification
- Classify traffic into 8 transmission priorities per port
- Supports Delay Bounded, Strict Priority, and WFQ
- Provides 2 level dropping precedence with WRED mechanism
 - User controlled thresholds for WRED
- Classification based on layer 2, 3 markings
 - VLAN Priority field in VLAN tagged frame
 - DS/TOS field in IP packet
- The precedence of above two classifications can be programmable


Figure 1 - MVTX2804AG Functional Block Diagram

QoS Support

- Supports IEEE 802.1p/Q Quality of Service with 8 Priority
- Buffer Management: reserve buffers on per class and per port basis
- Port-based Priority: VLAN Priority with Tagged frame can be overwritten by the priority of PVID
- QoS features can be configured on a per port basis
- Packet Filtering and Port Security
- Static addressing filtering for source and/or destination MAC address
- Static learned MAC addresses will not be aged out
- Secure mode per port: Prevent learning for port in a secure mode
- Support per MAC per Port filtering
- Full Duplex Ethernet IEEE 802.3x Flow Control
- Provides Ethernet Multicast and Broadcast Control
- 4 Port Trunking groups, 8 ports per group (Trunking can be based on source MAC and/or destination MAC and source port)
- LED signals provided by a serial or parallel interface
- CPU interface supports 16/8-bit CPU bus in managed mode and a synchronous Serial Interface and I²C interface in unmanaged mode
- SNMP/RMON support with CPU
- Built-in MIB counter
- Spanning tree with CPU
- Multiple Spanning trees (Per Spanning Tree Per VLAN)
- Hardware auto-negotiation through serial management interface (MDIO) for Gigabit Ethernet ports, supports 10/100/1000 Mbps
- BIST for internal and external SRAM-ZBT
- I²C EEPROM or synchronous serial port for configuration
- Packaged in 596-pin BGA

Description

The MVTX2800AG family is a group of 8-port 1000 Mbps non-blocking Ethernet switch chips with on-chip address memory. A single chip provides a maximum of eight 1000 Mbps ports and a dedicated CPU interface with a 16/8-bit bus for managed and unmanaged switch applications. The VTX2800 family consists of the following four products:

- VTX2804 8 Gigabit ports Managed
- VTX2803 8 Gigabit ports Unmanaged
- VTX2802 4 Gigabit ports Managed
- VTX2801 4 Gigabit ports Unmanaged

The MVTX2804AG supports up to 64K MAC addresses to aggregate traffic from multiple wiring closet stacks. The centralized shared-memory architecture allows a very high performance packet-forwarding rate of 11.904M packets per second at full wire speed. The chip is optimized to provide a low-cost, high performance workgroup, and wiring closet, layer 2 switching solution with 8 Gigabit Ethernet ports.

Two Frame Buffer Memory domains utilize cost effective, high-performance ZBT-SRAM with aggregated bandwidth of 16Gbps to support full wire speed on all external ports simultaneously.

With Strict priority, Delay Bounded, and WRR transmission scheduling, plus WRED memory congestion scheme, the chip provides powerful QoS functions for convergent network multimedia and mission-critical applications. The chip provides 8 transmission priorities and 2 level drop precedence. Traffic is assigned its transmission priority and dropping precedence based on the frame VLAN Tag priority or DS/TOS fields in IP packets.

IP multicast snooping provides up to 64k simultaneous IP Multicast groups. With 4K IEEE 802.1Q VLANs, the MVTX2804AG provides the ability to logically group users to control multicast traffic.

The MVTX2804AG supports port trunking/load sharing on the 1000 Mbps ports with fail-over capability. The port trunking/load sharing can be used to group ports between interlinked switches to increase the effective network bandwidth.

In full-duplex mode, IEEE 802.3x flow control is provided. The Physical Coding Sublayer (PCS) is integrated on-chip to provide a direct 10-bit GMII interface, or the PCS can be bypassed to provide an interface to existing fiber-based Gigabit Ethernet transceivers.

Statistical information for Etherstat SNMP and Remote Monitoring Management Information Base (RMON MIB) are collected independently for each of the eight ports. Access to these statistical counter/registers is provided via the CPU interface. SNMP Management frames can be received and transmitted via the CPU interface, creating a complete network management solution.

The MVTX2804AG is fabricated using 0.25mm technology. Inputs, however, are 3.3V tolerant and the outputs are capable of directly interfacing to LVTTTL levels. The MVTX2804AG is packaged in a 596-pin Ball Grid Array package.

Table of Contents

1.0 Block Functionality	16
1.1 Frame Data Buffer (FDB) Interfaces	16
1.2 Switch Database (SDB) Interface	16
1.3 GMII/PCS MAC Module (GMAC)	16
1.4 CPU Interface Module	16
1.5 Management Module	16
1.6 Frame Engine	16
1.7 Search Engine	16
1.8 LED Interface	16
1.9 Internal Memory	17
2.0 System Configuration	17
2.1 Management and Configuration	17
2.2 Managed Mode	17
2.3 Register Configuration, Frame Transmission, and Frame Reception	18
2.3.1 Ethernet Frames	19
2.3.2 Control Frames	19
2.4 Unmanaged Mode	20
2.5 I ² C Interface	20
2.5.1 Start Condition	20
2.5.2 Address	20
2.5.3 Data Direction	20
2.5.4 Acknowledgment	20
2.5.5 Data	21
2.5.6 Stop Condition	21
2.6 Synchronous Serial Interface	21
2.6.1 Write Command	22
2.6.2 Read Command	22
3.0 Data Forwarding Protocol	22
3.1 Unicast Data Frame Forwarding	22
3.2 Multicast Data Frame Forwarding	23
3.3 Frame Forwarding To and From CPU	23
4.0 Memory Interface	24
4.1 Overview	24
4.2 Detailed Memory Information	24
5.0 Search Engine	25
5.1 Search Engine Overview	25
5.2 Basic Flow	25
5.3 Search, Learning, and Aging	25
5.3.1 MAC Search	25
5.3.2 Learning	26
5.3.3 Aging	26
5.3.4 Data Structure	26
5.3.5 VLAN Port Association Table	26
6.0 Frame Engine	27
6.1 Data Forwarding Summary	27
6.2 Frame Engine Details	27
6.2.1 FCB Manager	27
6.2.2 Rx Interface	28
6.2.3 RxDMA	28
6.2.4 TxQ Manager	28
6.3 Port Control	28
6.4 TxDMA	28

Table of Contents

7.0 Quality of Service and Flow Control	28
7.1 Model	28
7.2 Four QoS Configurations	30
7.3 Delay Bound	30
7.4 Strict Priority and Best Effort	30
7.5 Weighted Fair Queuing	31
7.6 Shaper	31
7.7 WRED Drop Threshold Management Support	32
7.8 Buffer Management	32
7.8.1 Dropping When Buffers Are Scarce	33
7.9.1 Unicast Flow Control	34
7.9.2 Multicast Flow Control	34
7.10 Mapping to IETF Diffserv Classes	34
8.0 Port Trunking	35
8.1 Features and Restrictions	35
8.2 Unicast Packet Forwarding	35
8.3 Multicast Packet Forwarding	36
8.4 Preventing Multicast Packets from Looping Back to the Source Trunk	36
9.0 LED Interface	36
9.1 Introduction	36
9.2 Serial Mode	36
9.3 Parallel Mode	37
9.4 LED Control Registers	37
10.0 Hardware Statistics Counter	38
10.1 Hardware Statistics Counters List	38
10.2 IEEE 802.3 HUB Management (RFC 1213)	40
10.2.1 Event Counters	40
10.2.1.1 READABLEOCTET	40
10.2.1.2 READABLEFRAME	40
10.2.1.3 FCSERRORS	40
10.2.1.4 ALIGNMENTERRORS	40
10.2.1.5 FRAMETOOLONGS	40
10.2.1.6 SHORTEVENTS	41
10.2.1.7 RUNTS	41
10.2.1.8 COLLISIONS	41
10.2.1.9 LATEEVENTS	41
10.2.1.10 VERYLONGEVENTS	41
10.2.1.11 DATARATEMISMATCHES	41
10.2.1.12 AUTOPARTITIONS	41
10.2.1.13 TOTALERRORS	42
10.3 IEEE - 802.1 Bridge Management (RFC 1286)	42
10.3.0.1 Event Counters	42
10.3.0.3 OUTFRAMES	42
10.3.0.4 INDISCARDS	42
10.3.0.5 DELAYEXCEEDEDDISCARDS	42
10.3.0.6 MTUEXCEEDEDDISCARDS	42
10.4 RMON - Ethernet Statistic Group (RFC 1757)	42
10.4.1 Event Counters	42
10.4.1.1 DROP EVENTS	42
10.4.1.2 OCTETS	43
10.4.1.3 BROADCASTPKTS	43
10.4.1.4 MULTICASTPKTS	43

Table of Contents

10.4.1.5 CRCALIGNERRORS	43
10.4.1.6 UNDERSIZEPKTS	43
10.4.1.7 OVERSIZEPKTS	43
10.4.1.8 FRAGMENTS	43
10.4.1.9 JABBERS	44
10.4.1.10 COLLISIONS	44
10.4.1.11 PACKET COUNT FOR DIFFERENT SIZE GROUPS	44
11.0 Register Definition	45
11.1 Register Description	45
11.2 Directly Accessed Registers	51
11.2.1 INDEX_REG0	51
11.2.2 INDEX_REG1 (only needed for CPU 8-bit bus mode)	51
11.2.3 DATA_FRAME_REG	51
11.2.4 CONTROL_FRAME_REG	51
11.2.5 COMMAND & STATUS	52
11.2.6 Interrupt Register	52
11.2.7 Control Frame Buffer1 Access Register	53
11.2.8 Control Frame Buffer2 Access Register	53
11.3 Group 0 Address	53
11.3.1 MAC Ports Group	53
11.3.1.1 ECR1PN: PORT N CONTROL REGISTER	53
11.3.1.2 ECR2PN: PORT N CONTROL REGISTER	54
11.3.1.3 ECRMISC1 - CPU PORT CONTROL REGISTER MISC1	55
11.3.1.4 ECRMISC2 - CPU PORT CONTROL REGISTER MISC2	55
11.3.1.5 GGCONTROL 0- EXTRA GIGA PORT CONTROL	56
11.3.1.6 GGCONTROL 1- EXTRA GIGA PORT CONTROL	56
11.3.1.7 GGCONTROL 2- EXTRA GIGA PORT CONTROL	57
11.3.1.8 GGCONTROL 3- EXTRA GIGA PORT CONTROL	57
11.4 Group 1 Address	58
11.4.1 VLAN Group	58
11.4.1.1 AVTCL - VLAN TYPE CODE REGISTER LOW	58
11.4.1.2 AVTCH - VLAN TYPE CODE REGISTER HIGH	58
11.4.1.3 PVMAP00_0 - PORT 00 CONFIGURATION REGISTER 0	58
11.4.1.4 PVMAP00_1 - PORT 00 CONFIGURATION REGISTER 1	58
11.4.1.5 PVMAP00_3 - PORT 00 CONFIGURATION REGISTER 3	59
11.5 Port VLAN Map	60
11.5.1 PVMODE	61
11.6 Group 2 Address	61
11.6.1 Port Trunking Group	61
11.6.1.1 TRUNK0 - TRUNK GROUP 0 MEMBER (MANAGED MODE ONLY)	61
11.6.1.2 TRUNK1 - TRUNK GROUP 1 MEMBER (MANAGED MODE ONLY)	61
11.6.1.3 TRUNK2- TRUNK GROUP 2 MEMBER (MANAGED MODE ONLY)	61
11.6.1.4 TRUNK3- TRUNK GROUP 3 MEMBER (MANAGED MODE ONLY)	62
11.6.1.5 TRUNK_HASH_MODE - TRUNK HASH MODE	62
11.6.1.6 TRUNK0_MODE - TRUNK GROUP 0 MODE (UNMANAGED MODE)	62
11.6.1.7 TRUNK0_HASH0 - TRUNK GROUP 0 HASH RESULT 0,1,2 DESTINATION PORT NUMBER	63
11.6.1.8 TRUNK0_HASH1 - TRUNK GROUP 0 HASH RESULT 2,3,4,5 DESTINATION PORT NUMBER	63
11.6.1.9 TRUNK0_HASH2 - TRUNK GROUP 0 HASH RESULT 5,6,7 DESTINATION PORT NUMBER	63
11.6.1.10 TRUNK0_HASH3 - TRUNK GROUP 0 HASH RESULT 8,9,10 DESTINATION PORT	

Table of Contents

NUMBER	63
11.6.1.11 TRUNK0_HASH4 - TRUNK GROUP 0 HASH RESULT 10,11,12,13 DESTINATION PORT NUMBER	63
11.6.1.12 TRUNK0_HASH5 - TRUNK GROUP 0 HASH RESULT 13,14,15 DESTINATION PORT NUMBER	64
11.6.1.13 TRUNK1_MODE - TRUNK GROUP 1 MODE (UNMANAGED MODE)	64
11.6.1.14 TRUNK1_HASH0 - TRUNK GROUP 1 HASH RESULT 0, 1, 2 DESTINATION PORT NUMBER	64
11.6.1.15 TRUNK1_HASH1 - TRUNK GROUP 1 HASH RESULT 2, 3, 4, 5 DESTINATION PORT NUMBER	64
11.6.1.16 TRUNK1_HASH2 - TRUNK GROUP 1 HASH RESULT 5, 6, 7 DESTINATION PORT NUMBER	65
11.6.1.17 TRUNK1_HASH3 - TRUNK GROUP 1 HASH RESULT 8, 9, 10 DESTINATION PORT NUMBER	65
11.6.1.18 TRUNK1_HASH4- TRUNK GROUP 1 HASH RESULT 11, 12, 13 DESTINATION PORT NUMBER	65
11.6.1.19 TRUNK1_HASH5 - TRUNK GROUP 1 HASH RESULT 13, 14, 15 DESTINATION PORT NUMBER	65
11.6.1.20 TRUNK2_HASH0 - TRUNK GROUP 2 HASH RESULT 0, 1, 2 DESTINATION PORT NUMBER	65
11.6.1.21 TRUNK2_HASH1 - TRUNK GROUP 2 HASH RESULT 2, 3, 4, 5 DESTINATION PORT NUMBER	66
11.6.1.22 TRUNK2_HASH2 - TRUNK GROUP 2 HASH RESULT 5, 6, 7 DESTINATION PORT NUMBER	66
11.6.1.23 TRUNK2_HASH3 - TRUNK GROUP 2 HASH RESULT 8, 9, 10 DESTINATION PORT NUMBER	66
11.6.1.24 TRUNK0_HASH3 - TRUNK GROUP 0 HASH RESULT 8,9,10 DESTINATION PORT NUMBER	66
11.6.1.25 TRUNK0_HASH4 - TRUNK GROUP 0 HASH RESULT 10,11,12,13 DESTINATION PORT NUMBER	66
11.6.1.26 TRUNK0_HASH5 - TRUNK GROUP 0 HASH RESULT 13,14,15 DESTINATION PORT NUMBER	67
11.6.1.27 TRUNK1_MODE - TRUNK GROUP 1 MODE (UNMANAGED MODE)	67
11.6.1.28 TRUNK1_HASH0 - TRUNK GROUP 1 HASH RESULT 0, 1, 2 DESTINATION PORT NUMBER	67
11.6.1.29 TRUNK1_HASH1 - TRUNK GROUP 1 HASH RESULT 2, 3, 4, 5 DESTINATION PORT NUMBER	67
11.6.1.30 TRUNK1_HASH2 - TRUNK GROUP 1 HASH RESULT 5, 6, 7 DESTINATION PORT NUMBER68	67
11.6.1.31 TRUNK1_HASH3 - TRUNK GROUP 1 HASH RESULT 8, 9, 10 DESTINATION PORT NUMBER	68
11.6.1.32 TRUNK1_HASH4- TRUNK GROUP 1 HASH RESULT 11, 12, 13 DESTINATION PORT NUMBER	68
11.6.1.33 TRUNK1_HASH5 - TRUNK GROUP 1 HASH RESULT 13, 14, 15 DESTINATION PORT NUMBER	68
11.6.1.34 TRUNK2_HASH0 - TRUNK GROUP 2 HASH RESULT 0, 1, 2 DESTINATION PORT NUMBER	68
11.6.1.35 TRUNK2_HASH1 - TRUNK GROUP 2 HASH RESULT 2, 3, 4, 5 DESTINATION PORT NUMBER	69
11.6.1.36 TRUNK2_HASH2 - TRUNK GROUP 2 HASH RESULT 5, 6, 7 DESTINATION PORT NUMBER	69
11.6.1.37 TRUNK2_HASH3 - TRUNK GROUP 2 HASH RESULT 8, 9, 10 DESTINATION PORT	69

Table of Contents

NUMBER	69
11.6.1.38 TRUNK2_HASH4 - TRUNK GROUP 2 HASH RESULT 10, 11, 12, 13 DESTINATION PORT NUMBER	69
11.6.1.39 TRUNK2_HASH5 - TRUNK GROUP 2 HASH RESULT 13, 14, 15 DESTINATION PORT NUMBER	69
11.6.1.40 TRUNK3_HASH0 - TRUNK GROUP 3 HASH RESULT 0, 1, 2 DESTINATION PORT NUMBER	70
11.6.1.41 TRUNK3_HASH1 - TRUNK GROUP 3 HASH RESULT 2, 3, 4, 5 DESTINATION PORT NUMBER	70
11.6.1.42 TRUNK3_HASH2 - TRUNK GROUP 3 HASH RESULT 5, 6, 7 DESTINATION PORT NUMBER	70
11.6.1.43 TRUNK3_HASH3 - TRUNK GROUP 3 HASH RESULT 8, 9, 10 DESTINATION PORT NUMBER	70
11.6.1.44 TRUNK3_HASH4 - TRUNK GROUP 3 HASH RESULT 10, 11, 12, 13 DESTINATION PORT NUMBER	70
11.6.1.45 TRUNK3_HASH5 - TRUNK GROUP 3 HASH RESULT 13, 14, 15 DESTINATION PORT NUMBER	71
11.6.2 Multicast Hash Registers	71
11.6.2.1 MULTICAST_HASH00 - MULTICAST HASH RESULT0 MASK BYTE [7:0]	71
11.6.2.2 MULTICAST_HASH01 - MULTICAST HASH RESULT1 MASK BYTE [7:0]	71
11.6.2.3 MULTICAST_HASH02 - MULTICAST HASH RESULT2 MASK BYTE [7:0]	71
11.6.2.4 MULTICAST_HASH03 - MULTICAST HASH RESULT3 MASK BYTE [7:0]	72
11.6.2.5 MULTICAST_HASH04 - MULTICAST HASH RESULT4 MASK BYTE [7:0]	72
11.6.2.6 MULTICAST_HASH05 - MULTICAST HASH RESULT5 MASK BYTE [7:0]	72
11.6.2.7 MULTICAST_HASH06 - MULTICAST HASH RESULT6 MASK BYTE [7:0]	72
11.6.2.8 MULTICAST_HASH07 - MULTICAST HASH RESULT7 MASK BYTE [7:0]	72
11.6.2.9 MULTICAST_HASH08 - MULTICAST HASH RESULT8 MASK BYTE [7:0]	72
11.6.2.10 MULTICAST_HASH09 - MULTICAST HASH RESULT9 MASK BYTE [7:0]	72
11.6.2.11 MULTICAST_HASH10 - MULTICAST HASH RESULT10 MASK BYTE [7:0]	72
11.6.2.12 MULTICAST_HASH11 - MULTICAST HASH RESULT11 MASK BYTE [7:0]	73
11.6.2.13 MULTICAST_HASH12 - MULTICAST HASH RESULT12 MASK BYTE [7:0]	73
11.6.2.14 MULTICAST_HASH13 - MULTICAST HASH RESULT13 MASK BYTE [7:0]	73
11.6.2.15 MULTICAST_HASH14 - MULTICAST HASH RESULT14 MASK BYTE [7:0]	73
11.6.2.16 MULTICAST_HASH15 - MULTICAST HASH RESULT15 MASK BYTE [7:0]	73
11.6.2.17 MULTICAST_HASHML - MULTICAST HASH BIT[8] FOR RESULT7-0	73
11.6.2.18 MULTICAST_HASHML - MULTICAST HASH BIT[8] FOR RESULT 15-8	73
11.7 Group 3 Address	73
11.7.1 CPU Port Configuration Group	73
11.7.1.1 MAC0 - CPU MAC ADDRESS BYTE 0	74
11.7.1.2 MAC1 - CPU MAC ADDRESS BYTE 1	74
11.7.1.3 MAC2 - CPU MAC ADDRESS BYTE 2	74
11.7.1.4 MAC3 - CPU MAC ADDRESS BYTE 3	74
11.7.1.5 MAC4 - CPU MAC ADDRESS BYTE 4	74
11.7.1.6 MAC5 - CPU MAC ADDRESS BYTE 5	74
11.7.1.7 INT_MASK0 - INTERRUPT MASK 0	74
11.7.1.8 INT_MASK1 - INTERRUPT MASK 1	75
11.7.1.9 INT_STATUS0 - MASKED INTERRUPT STATUS REGISTER0	75
11.7.1.10 INT_STATUS1 - MASKED INTERRUPT STATUS REGISTER1	75
11.7.1.11 INTP_MASK0 - INTERRUPT MASK FOR MAC PORT 0,1	76
11.7.1.12 INTP_MASK1 - INTERRUPT MASK FOR MAC PORT 2,3	76
11.7.1.13 INTP_MASK4 - INTERRUPT MASK FOR MAC PORT 4,5	76
11.7.1.14 INTP_MASK5 - INTERRUPT MASK FOR MAC PORT 6,7	77

Table of Contents

11.7.2 RQS - Receive Queue Select	77
11.7.3 RQSS - Receive Queue Status	77
11.7.4 TX_AGE - Tx Queue Aging timer	78
11.8 Group 4 Address	78
11.8.1 Search Engine Group	78
11.8.1.1 AGETIME_LOW - MAC ADDRESS AGING TIME LOW	78
11.8.1.2 AGETIME_HIGH - MAC ADDRESS AGING TIME HIGH	78
11.8.1.3 V_AGETIME - VLAN TO PORT AGING TIME	78
11.8.1.4 SE_OPMODE - SEARCH ENGINE OPERATION MODE	79
11.8.1.5 SCAN - SCAN CONTROL REGISTER	79
11.9 Group 5 Address	80
11.9.1 Buffer Control/QOS Group	80
11.9.1.1 FCBAT - FCB AGING TIMER	80
11.9.1.2 QOSC - QOS CONTROL	80
11.9.1.3 FCR - FLOODING CONTROL REGISTER	81
11.9.1.4 AVPML - VLAN PRIORITY MAP	81
11.9.1.5 AVPMM - VLAN PRIORITY MAP	82
11.9.1.6 AVPMH - VLAN PRIORITY MAP	82
11.9.1.7 TOSPML - TOS PRIORITY MAP	82
11.9.1.8 TOSPMH - TOS PRIORITY MAP	82
11.9.1.9 TOSPMH - TOS PRIORITY MAP	83
11.9.1.10 AVDM - VLAN DISCARD MAP	83
11.9.1.11 TOSDML - TOS DISCARD MAP	84
11.9.2 BMRC - Broadcast/Multicast Rate Control	84
11.9.3 UCC - Unicast Congestion Control	84
11.9.4 MCC - Multicast Congestion Control	85
11.9.5 PRG - Port Reservation for Giga ports	85
11.9.6 FCB Reservation	85
11.9.6.1 SFCB - SHARE FCB SIZE	85
11.9.6.2 C2RS - CLASS 2 RESERVED SIZE	86
11.9.6.3 C3RS - CLASS 3 RESERVED SIZE	86
11.9.6.4 C4RS - CLASS 4 RESERVED SIZE	86
11.9.6.5 C5RS - CLASS 5 RESERVED SIZE	86
11.9.6.6 C6RS - CLASS 6 RESERVED SIZE	87
11.9.6.7 C7RS - CLASS 7 RESERVED SIZE	87
11.9.7 Classes Byte Gigabit Port 0	87
11.9.7.1 QOSC00 - BYTE_C2_G0	87
11.9.7.2 QOSC01 - BYTE_C3_G0	87
11.9.7.3 QOSC02 - BYTE_C4_G0	87
11.9.7.4 QOSC03 - BYTE_C5_G0	88
11.9.7.5 QOSC04 - BYTE_C6_G0	88
11.9.7.6 QOSC05 - BYTE_C7_G0	88
11.9.8 Classes Byte Gigabit Port 1	88
11.9.8.1 QOSC06 - BYTE_C2_G1	88
11.9.8.2 QOSC07 - BYTE_C3_G1	88
11.9.8.3 QOSC08 - BYTE_C4_G1	88
11.9.8.4 QOSC09 - BYTE_C5_G1	89
11.9.8.5 QOSC0A - BYTE_C6_G1	89
11.9.8.6 QOSC0B - BYTE_C7_G1	89
11.9.9 Classes Byte Gigabit Port 2	89
11.9.9.1 QOSC0C - BYTE_C2_G2	89
11.9.9.2 QOSC0D - BYTE_C3_G2	89

Table of Contents

11.9.9.3 QOSC0E - BYTE_C4_G2	89
11.9.9.4 QOSC0F - BYTE_C5_G2	90
11.9.9.5 QOSC10 - BYTE_C6_G2	90
11.9.9.6 QOSC11 - BYTE_C7_G2	90
11.9.10 Classes Byte Gigabit Port 3	90
11.9.10.1 QOSC12 - BYTE_C2_G3	90
11.9.10.2 QOSC13 - BYTE_C3_G3	90
11.9.10.3 QOSC14 - BYTE_C4_G3	90
11.9.10.4 QOSC15 - BYTE_C5_G3	91
11.9.10.5 QOSC16 - BYTE_C6_G3	91
11.9.10.6 QOSC17 - BYTE_C7_G3	91
11.9.11 Classes Byte Gigabit Port 4	91
11.9.11.1 QOSC18 - BYTE_C2_G4	91
11.9.11.2 QOSC019 - BYTE_C3_G4	91
11.9.11.3 QOSC1A - BYTE_C4_G4	91
11.9.11.4 QOSC1B - BYTE_C5_G4	92
11.9.11.5 QOSC1C - BYTE_C6_G4	92
11.9.11.6 QOSC1D- BYTE_C7_G4	92
11.9.12 Classes Byte Gigabit Port 5	92
11.9.12.1 QOSC1E- BYTE_C2_G5	92
11.9.12.2 QOSC1F - BYTE_C3_G5	92
11.9.12.3 QOSC20 - BYTE_C4_G5	92
11.9.12.4 QOSC21 - BYTE_C5_G5	93
11.9.12.5 QOSC22 - BYTE_C6_G5	93
11.9.12.6 QOSC23 - BYTE_C7_G5	93
11.9.13 Classes Byte Gigabit Port 6	93
11.9.13.1 QOSC24 - BYTE_C2_G6	93
11.9.13.2 QOSC25 - BYTE_C3_G6	93
11.9.13.3 QOSC26 - BYTE_C4_G6	93
11.9.13.4 QOSC27 - BYTE_C5_G6	94
11.9.13.5 QOSC28 - BYTE_C6_G6	94
11.9.13.6 QOSC29 - BYTE_C7_G6	94
11.9.14 Classes Byte Gigabit Port 7	94
11.9.14.1 QOSC2A - BYTE_C2_G7	94
11.9.14.2 QOSC2B - BYTE_C3_G7	94
11.9.14.3 QOSC2C - BYTE_C4_G7	94
11.9.14.4 1QOSC2D - BYTE_C5_G7	95
11.9.14.5 QOSC2E - BYTE_C6_G7	95
11.9.14.6 QOSC2F - BYTE_C7_G7	95
11.9.15 Classes Byte Limit CPU	95
11.9.15.1 QOSC30 - BYTE_C01	95
11.9.15.2 QOSC31 - BYTE_C02	95
11.9.15.3 QOSC32 - BYTE_C03	95
11.9.16 Classes WFQ Credit Set 0	96
11.9.16.1 QOSC33 - CREDIT_C0_G0	96
11.9.16.2 QOSC34 - CREDIT_C1_G0	96
11.9.16.3 QOSC35 - CREDIT_C2_G0	97
11.9.16.4 QOSC36 - CREDIT_C3_G0	97
11.9.16.5 QOSC37 - CREDIT_C4_G0	97
11.9.16.6 QOSC38 - CREDIT_C5_G0	97
11.9.16.7 QOSC39- CREDIT_C6_G0	97
11.9.16.8 QOSC3A- CREDIT_C7_G0	97

Table of Contents

11.9.17 Classes WFQ Credit Port G1	97
11.9.17.1 QOSC3B - CREDIT_C0_G1	98
11.9.17.2 QOSC3C - CREDIT_C1_G1	98
11.9.17.3 QOSC3D - CREDIT_C2_G1	99
11.9.17.4 QOSC3E - CREDIT_C3_G1	99
11.9.17.5 QOSC3F - CREDIT_C4_G1	99
11.9.17.6 QOSC40 - CREDIT_C5_G1	99
11.9.17.7 QOSC41- CREDIT_C6_G1	99
11.9.17.8 QOSC42- CREDIT_C7_G1	99
11.9.18 Classes WFQ Credit Port G2	100
11.9.18.1 QOSC43 - CREDIT_C0_G2	100
11.9.18.2 QOSC44 - CREDIT_C1_G2	100
11.9.18.3 QOSC45 - CREDIT_C2_G2	101
11.9.18.4 QOSC46 - CREDIT_C3_G2	101
11.9.18.5 QOSC47 - CREDIT_C4_G2	101
11.9.18.6 QOSC48 - CREDIT_C5_G2	101
11.9.18.7 QOSC49- CREDIT_C6_G2	101
11.9.18.8 QOSC4A- CREDIT_C7_G2	101
11.9.19 Classes WFQ Credit Port G3	102
11.9.19.1 QOSC4B - CREDIT_C0_G3	102
11.9.19.2 QOSC4 - CREDIT_C1_G3	102
11.9.19.3 QOSC4D - CREDIT_C2_G3	103
11.9.19.4 QOSC4E - CREDIT_C3_G3	103
11.9.19.5 QOSC4F - CREDIT_C4_G3	103
11.9.19.6 QOSC50 - CREDIT_C5_G3	103
11.9.19.7 QOSC51- CREDIT_C6_G3	103
11.9.19.8 QOSC52- CREDIT_C7_G3	103
11.9.20 Classes WFQ Credit Port G4	104
11.9.20.1 QOSC53 - CREDIT_C0_G4	104
11.9.20.2 QOSC54 - CREDIT_C1_G4	104
11.9.20.3 QOSC55 - CREDIT_C2_G4	105
11.9.20.4 QOSC56 - CREDIT_C3_G4	105
11.9.20.5 QOSC57 - CREDIT_C4_G4	105
11.9.20.6 QOSC58 - CREDIT_C5_G4	105
11.9.20.7 QOSC59- CREDIT_C6_G4	105
11.9.20.8 QOSC5A- CREDIT_C7_G4	105
11.9.20.9 Classes WFQ Credit Port G5	106
11.9.20.10 QOSC5B - CREDIT_C0_G5	106
11.9.20.11 QOSC5C - CREDIT_C1_G5	106
11.9.20.12 QOSC5D - CREDIT_C2_G5	107
11.9.20.13 QOSC5E - CREDIT_C3_G5	107
11.9.20.14 QOSC5F - CREDIT_C4_G5	107
11.9.20.15 QOSC60 - CREDIT_C5_G5	107
11.9.20.16 QOSC61- CREDIT_C6_G5	107
11.9.20.17 QOSC62- CREDIT_C7_G5	107
11.9.21 Classes WFQ Credit Port G6	108
11.9.21.1 QOSC63 - CREDIT_C0_G6	108
11.9.21.2 QOSC64 - CREDIT_C1_G6	108
11.9.21.3 QOSC65 - CREDIT_C2_G6	109
11.9.21.4 QOSC66 - CREDIT_C3_G6	109
11.9.21.5 QOSC67 - CREDIT_C4_G6	109
11.9.21.6 QOSC68 - CREDIT_C5_G6	109

Table of Contents

11.9.21.7 QOSC69- CREDIT_C6_G6	109
11.9.21.8 QOSC6A- CREDIT_C7_G6	109
11.9.22 Classes WFQ Credit Port G7	110
11.9.22.1 QOSC6B - CREDIT_C0_G7	110
11.9.22.2 QOSC6C - CREDIT_C1_G7	110
11.9.22.3 QOSC6D - CREDIT_C2_G7	111
11.9.22.4 QOSC6E - CREDIT_C3_G7	111
11.9.22.5 QOSC6F - CREDIT_C4_G7	111
11.9.22.6 QOSC70 - CREDIT_C5_G7	111
11.9.22.7 QOSC71- CREDIT_C6_G7	111
11.9.22.8 QOSC72- CREDIT_C7_G7	111
11.9.23 Class 6 Shaper Control Port G0	112
11.9.23.1 QOSC73 - TOKEN_RATE_G0	112
11.9.23.2 QOSC74 - TOKEN_LIMIT_G0	112
11.9.23.3 Class 6 Shaper Control Port G1	112
11.9.23.4 QOSC75 - TOKEN_RATE_G1	112
11.9.23.5 QOSC76 - TOKEN_LIMIT_G1	112
11.9.24 Class 6 Shaper Control Port G2	113
11.9.24.1 QOSC77 - TOKEN_RATE_G2	113
11.9.24.2 QOSC78 - TOKEN_LIMIT_G2	113
11.9.25 Class 6 Shaper Control Port G3	113
11.9.25.1 QOSC79 - TOKEN_RATE_G3	113
11.9.25.2 QOSC7A - TOKEN_LIMIT_G3	113
11.9.26 Class 6 Shaper Control Port G4	114
11.9.26.1 QOSC7B - TOKEN_RATE_G4	114
11.9.26.2 QOSC7C - TOKEN_LIMIT_G4	114
11.9.27 Class 6 Shaper Control Port G5	114
11.9.27.1 QOSC7D - TOKEN_RATE_G5	114
11.9.27.2 QOSC7E - TOKEN_LIMIT_G5	114
11.9.28 Class 6 Shaper Control Port G6	115
11.9.28.1 Accessed by CPU only	115
11.9.28.2 QOSC7F - TOKEN_RATE_G6	115
11.9.28.3 QOSC80 - TOKEN_LIMIT_G6	115
11.9.29 Class 6 Shaper Control Port G7	115
11.9.29.1 QOSC81 - TOKEN_RATE_G7	115
11.9.29.2 QOSC82 - TOKEN_LIMIT_G7	115
11.9.30 RDRC0 - WRED Rate Control 0	116
11.9.31 RDRC1 - WRED Rate Control 1	116
11.10 Group 6 Address	116
11.10.1 MISC Group	116
11.10.1.1 MII_OP0 - MII REGISTER OPTION 0	116
11.10.1.2 MII_OP1 - MII REGISTER OPTION 1	117
11.10.1.3 FEN - FEATURE REGISTER	117
11.10.1.4 MIIC0 - MII COMMAND REGISTER 0	118
11.10.1.5 MIIC1 - MII COMMAND REGISTER 1	118
11.10.1.6 MIIC2 - MII COMMAND REGISTER 2	118
11.10.1.7 MIIC3 - MII COMMAND REGISTER 3	118
11.10.1.8 MIID0 - MII DATA REGISTER 0	119
11.10.1.9 MIID1 - MII DATA REGISTER 0	119
11.10.1.10 LED MODE - LED CONTROL	119
11.10.2 CHECKSUM - EEPROM Checksum	121
11.10.3 LED User	121

Table of Contents

11.10.3.1 LEDUSER0	121
11.10.3.2 LEDUSER1	122
11.10.3.3 LEDUSER2/LEDSIG2	122
11.10.3.4 LEDUSER3/LEDSIG3	122
11.10.3.5 LEDUSER4/LEDSIG4	123
11.10.3.6 LEDUSER5/LEDSIG5	123
11.10.3.7 LEDUSER6/LEDSIG6	124
11.10.3.8 LEDUSER7/LEDSIG1_0	125
11.10.4 MIINP0 - MII Next Page Data Register 0	125
11.10.5 MIINP1 - MII Next Page Data Register 1	125
11.11 Group F Address	126
11.11.1 CPU Access Group	126
11.11.1.1 GCR-GLOBAL CONTROL REGISTER	126
11.11.1.2 DCR-DEVICE STATUS AND SIGNATURE REGISTER	126
11.11.1.3 DCR01-GIGA PORT STATUS	127
11.11.1.4 DCR23-GIGA PORT STATUS	127
11.11.1.5 DCR45-GIGA PORT STATUS	128
11.11.1.6 DCR67-GIGA PORT STATUS	128
11.11.1.7 DPST - DEVICE PORT STATUS REGISTER	129
11.11.1.8 DTST - Data Read Back Register	129
12.0 BGA and Ball Signal Description	130
12.1 BGA Views (Top-View)	130
12.2 Ball-Signal Descriptions	131
12.2.1 Ball Signal Description in Managed Mode	131
12.2.2 Ball - Signal Description in Unmanaged Mode	142
12.3 Ball Signal Name	152
12.4 Characteristics and Timing	158
12.4.1 Absolute Maximum Ratings	158
12.4.2 DC Electrical Characteristics	158
12.4.3 Recommended Operating Conditions	159
12.5 AC Characteristics and Timing	160
12.5.1 Typical Reset & Bootstrap Timing Diagram	160
12.5.2 Typical CPU Timing Diagram for a CPU Write Cycle	161
12.5.3 Typical CPU Timing Diagram for a CPU Read Cycle	162
12.5.4 Local Frame Buffer ZBT SRAM Memory Interface	163
12.5.4.1 Local ZBT SRAM Memory Interface A	163
12.5.4.2 Local ZBT SRAM Memory Interface B	164
12.5.5 Local Switch Database SBRAM Memory Interface	165
12.5.5.1 Local SBRAM Memory Interface	165
12.5.6 Media Independent Interface	166
12.5.7 Gigabit Media Independent Interface	167
12.5.8 PCS Interface	168
12.5.9 LED Interface	169
12.5.10 MDIO Input Setup and Hold Timing	170
12.5.11 I ² C Input Setup Timing	171
12.5.12 Serial Interface Setup Timing	172

List of Figures

Figure 1 - MVTX2804AG Functional Block Diagram	1
Figure 2 - Overview of the MVTX2804AG CPU Interface	18
Figure 3 - Data Transfer Format for I ² C Interface	20
Figure 4 - MVTX2804 SRAM Interface Block Diagram (DMAs for Gigaport Ports)	24
Figure 5 - Buffer Partition Scheme Used in the MVTX2804	33
Figure 6 - MVTX2804 Features Enabling IETF Diffserv Standards	35
Figure 7 - Timing diagram for serial mode in LED interface	37
Figure 8 - Typical Reset & Bootstrap Timing Diagram	160
Figure 9 - Typical CPU Timing Diagram for a CPU Write Cycle	161
Figure 10 - Typical CPU Timing Diagram for a CPU Read Cycle	162
Figure 11 - Local Memory Interface – Input setup and hold timing	163
Figure 12 - Local Memory Interface - Output valid delay timing	163
Figure 13 - Local Memory Interface – Input setup and hold timing	164
Figure 14 - Local Memory Interface - Output valid delay timing	164
Figure 15 - Local Memory Interface – Input setup and hold timing	165
Figure 16 - Local Memory Interface - Output valid delay timing	165
Figure 17 - AC Characteristics – Media Independent Interface	166
Figure 18 - AC Characteristics – Media Independent Interface	166
Figure 19 - AC Characteristics - GMII	167
Figure 20 - AC Characteristics – Gigabit Media Independent Interface	167
Figure 21 - AC Characteristics – PCS Interface	168
Figure 22 - AC Characteristics – PCS Interface	168
Figure 23 - AC Characteristics – LED Interface	169
Figure 24 - MDIO Input Setup and Hold Timing	170
Figure 25 - MDIO Output Delay Timing	170
Figure 26 - I ² C Input Setup Timing	171
Figure 27 - I ² C Output Delay Timing	171
Figure 28 - Serial Interface Setup Timing	172
Figure 29 - Serial Interface Output Delay Timing	172

List of Tables

Table 1 - Two-dimensional World Traffic	29
Table 2 - Four QoS configurations per port	30
Table 3 - WRED Dropping Scheme	32
Table 4 - Mapping between MVTX2804 and IETF Diffserv Classes for Gigabit Ports	34
Table 5 - Reset & Bootstrap Timing	160
Table 6 - CPU Write Cycle	161
Table 7 - CPU Read Cycle	162
Table 8 - AC Characteristics – Local frame buffer ZBT-SRAM Memory Interface A	163
Table 9 - AC Characteristics – Local frame buffer ZBT-SRAM Memory Interface B	164
Table 10 - AC Characteristics – Local Switch Database SBRAM Memory Interface	165
Table 11 - AC Characteristics – Media Independent Interface	166
Table 12 - AC Characteristics – Gigabit Media Independent Interface	167
Table 13 - AC Characteristics – PCS Interface	168
Table 14 - AC Characteristics – LED Interface	169
Table 15 - MDIO Timing	170
Table 16 - I ² C Timing	171
Table 17 - Serial Interface Timing	172

1.0 Block Functionality

1.1 Frame Data Buffer (FDB) Interfaces

The FDB interface supports pipelined ZBT-SRAM memory at 133 MHz. To ensure a non-blocking switch, two memory domains are required. Each domain has a 64-bit wide memory bus. At 133 MHz, the aggregate memory bandwidth is 17 Gbps, which is enough to support 8 Gigabit ports at full wire speed switching. A patent pending scheme is used to access the FDB memory. Each slot has one tick to read or write 8 bytes.

1.2 Switch Database (SDB) Interface

A pipelined synchronous burst SRAM (SBRAM) memory is used to store the switch database information including MAC Table, VLAN Table and IP Multicast Table. Search Engine accesses the switch database via SDB interface. The SDB memory has 32-bit wide bus at 133MHz.

1.3 GMII/PCS MAC Module (GMAC)

The GMII/PCS Media Access Control (MAC) module provides the necessary buffers and control interface between the Frame Engine (FE) and the external physical device (PHY). The MVTX2804 has two interfaces, GMII or PCS. The MAC of the MVTX2804 meets the IEEE 802.3z specification and supports the MII interface. It is able to operate in 10M/100M/1G in Full Duplex mode with a flow control mechanism. It has the options to insert Source Address/CRC/VLAN ID to each frame. The GMII/PCS Module also supports hot plug detection.

1.4 CPU Interface Module

One extra port is dedicated to the CPU via the CPU interface module. The CPU interface utilizes a 16/8-bit bus in managed mode. It also supports a serial and an I²C interface, which provides an easy way to configure the system if unmanaged.

1.5 Management Module

The CPU can send a control frame to access or configure the internal network management database. The Management Module decodes the control frame and executes the functions requested by the CPU.

1.6 Frame Engine

The main function of the frame engine is to forward a frame to its proper destination port or ports. When a frame arrives, the frame engine parses the frame header (64 bytes) and formulates a switching request, which is sent to the search engine to resolve the destination port. The arriving frame is moved to the FDB. After receiving a switch response from the search engine, the frame engine performs transmission scheduling based on the frame's priority. The frame engine forwards the frame to the MAC module when the frame is ready to be sent.

1.7 Search Engine

The Search Engine resolves the frame's destination port or ports according to the destination MAC address (L2) or IP multicast address (IP multicast packet) by searching the database. It also performs MAC learning, priority assignment, and trunking functions.

1.8 LED Interface

The LED interface can be operated in a serial mode or a parallel mode. In the serial mode, the LED interface uses 3 pins for carrying 8 port status signals. In the parallel mode, the interface can drive LEDs by 8 status pins. The LED port is shared with bootstrap pins. In order to avoid mis-reading a buffer must be used to isolate the LED circuitry from the bootstrap pins during bootstrap cycle (the bootstraps are sampled at the rising edge of the #Reset).

1.9 Internal Memory

Several internal tables are required and are described as follows:

- Frame Control Block (FCB) - Each FCB entry contains the control information of the associated frame stored in the FDB, e.g. frame size, read/write pointer, transmission priority, etc.
- Network Management (NM) Database - The NM database contains the information in the statistics counters and MIB.
- MCT Link Table - The MCT Link Table stores the linked list of MCT entries that have collisions in the external MAC Table.
- VLAN Port Aging Table - This table provides the aging status of VLAN Port association status. Search Engine maintains this table and informs the CPU when the entry is ready to age out.

2.0 System Configuration

2.1 Management and Configuration

Two modes are supported in the MVTX2804: managed and unmanaged. In managed mode, the MVTX2804 uses an 8- or 16-bit CPU interface very similar to the Industry Standard Architecture (ISA) specification. In unmanaged mode, the MVTX2804 has no CPU but can be configured by EEPROM using an I²C interface at bootup, or via a synchronous serial interface otherwise.

2.2 Managed Mode

In managed mode, the MVTX2804 uses an 8- or 16-bit CPU interface very similar to the ISA bus. The MVTX2804 CPU interface provides for easy and effective management of the switching system. The figure below provides an overview of the CPU interface.

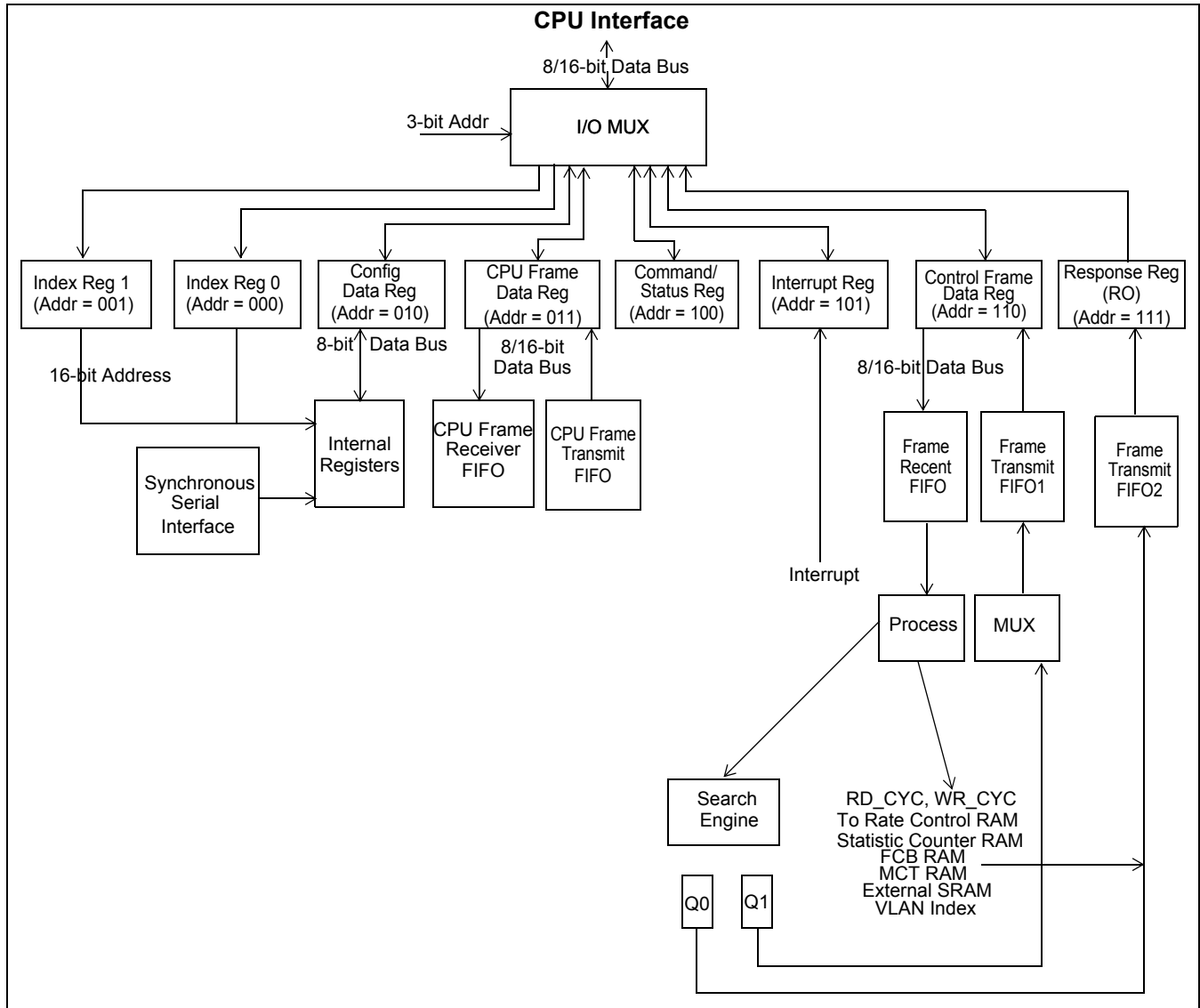


Figure 2 - Overview of the MVTX2804AG CPU Interface

2.3 Register Configuration, Frame Transmission, and Frame Reception

The MVTX2804 has many programmable parameters, covering such functions as QoS weights, VLAN control. In managed mode, the CPU interface provides an easy way of configuring these parameters. The parameters are contained in 8-bit configuration registers. The MVTX2804 allows indirect access to these registers, as follows:

- Two “index” registers (addresses 000 and 001) need to be written, to indicate the desired 16-bit register address.
- To indirectly configure the register addressed by the two index registers, a “configure data” register (address 010) must be written with the desired 8-bit data.
- Similarly, to read the value in the register addressed by the two index registers, the “configure data” register can now simply be read.

In summary, access to the many internal registers is carried out simply by directly accessing only three registers – two registers to indicate the address of the desired parameter, and one register to read or write a value. Of course,

because there is only one bus master, there can never be any conflict between reading and writing the configuration registers.

2.3.1 Ethernet Frames

The CPU interface is also responsible for receiving and transmitting standard Ethernet frames to and from the CPU. To transmit a frame from the CPU

- The CPU writes a “data frame” register (address 011) with the data it wants to transmit. After writing all the data, it then writes the frame size, destination port number, and frame status.
- The MVTX2804 forwards the Ethernet frame to the desired destination port, no longer distinguishing the fact that the frame originated from the CPU.

To receive a frame into the CPU

- The CPU receives an interrupt when an Ethernet frame is available to be received.
 - Frame information arrives first in the data frame register. This includes source port number, frame size, and VLAN tag.
 - The actual data follows the frame information. The CPU uses the frame size information to read the frame out.
- In summary, receiving and transmitting frames to and from the CPU is a simple process that uses one direct access register only.

2.3.2 Control Frames

In addition to standard Ethernet frames described in the preceding section, the CPU is also called upon to handle special “Control frames,” generated by the MVTX2804 and sent to the CPU. These proprietary frames are related to such tasks as statistics collection, MAC address learning, aging, etc. All Control frames are 64 bytes long. Transmitting and receiving these frames is similar to transmitting and receiving Ethernet frames, except that the register accessed is the “Control frame data” register (address 110).

Specifically, there are eight types of control frames generated by the CPU and sent to the MVTX2804:

- Memory read request
- Memory write request
- Learn MAC address
- Delete MAC address
- Search MAC address
- Learn IP Multicast address
- Delete IP Multicast address
- Search IP Multicast address

Note: Memory read and write requests by the CPU may include VLAN table, spanning tree, statistic counters, and similar updates.

In addition, there are nine types of Control Frames generated by the MVTX2804 and sent to the CPU:

- Interrupt CPU when statistics counter rolls over
- Response to memory read request from CPU
- Learn MAC address
- Delete MAC address
- Delete IP Multicast address
- New VLAN port
- Age out VLAN port
- Response to search MAC address request from CPU
- Response to search IP Multicast address request from CPU

Note: Deleting IP Multicast address requests by the MVTX2804 occur when the CPU issues a Learn IP Multicast address command but the search engine discovers no RAM space for storage.

The format of the Control Frame is described in the processor interface application note.

2.4 Unmanaged Mode

In unmanaged mode, the MVTX2804 can be configured by EEPROM (24C02 or compatible) via an I²C interface at boot time, or via a synchronous serial interface during operation. When the bootstrap Td[8] is set to '0' meaning EEPROM installed, the MVTX2804, acting as a master starts the data transfer from the memory to the switch.

2.5 I²C Interface

The I²C interface uses two bus lines, a serial data line (SDA) and a serial clock line (SCL). The SCL line carries the control signals that facilitate the transfer of information from EEPROM to the switch. Data transfer is 8-bit serial and bi-directional, at 50 Kbps. Data transfer is performed between master and slave IC using a request / acknowledgment style of protocol. The master IC generates the timing signals and terminates data transfer. The figure below shows the data transfer format.

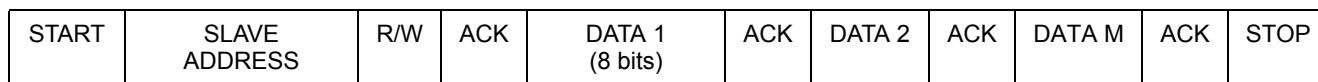


Figure 3 - Data Transfer Format for I²C Interface

2.5.1 Start Condition

Generated by the master, the MVTX2804. The bus is considered to be busy after the Start condition is generated. The Start condition occurs if while the SCL line is High, there is a High-to-Low transition of the SDA line.

Other than in the Start condition (and Stop condition), the data on the SDA line must be stable during the High period of SCL. The High or Low state of SDA can only change when SCL is Low. In addition, when the I²C bus is free, both lines are High.

2.5.2 Address

The first byte after the Start condition determines which slave the master will select. The slave in our case is the EEPROM. The first seven bits of the first data byte make up the slave address.

2.5.3 Data Direction

The eighth bit in the first byte after the Start condition determines the direction (R/W) of the message. A master transmitter sets this bit to W; a master receiver sets this bit to R.

2.5.4 Acknowledgment

Like all clock pulses, the master generates the acknowledgment-related clock pulse. However, the transmitter releases the SDA line (High) during the acknowledgment clock pulse. Furthermore, the receiver must pull down the SDA line during acknowledge pulse so that it remains stable Low during the High period of this clock pulse. An acknowledgment pulse follows every byte transfer.

If a slave receiver does not acknowledge after any byte, then the master generates a Stop condition and aborts the transfer.

If a master receiver does not acknowledge after any byte, then the slave transmitter must release the SDA line to let the master generate the Stop condition.

2.5.5 Data

After the first byte containing the address, all bytes that follow are data bytes. Each byte must be followed by an acknowledge bit. Data is transferred MSB-first.

2.5.6 Stop Condition

Generated by the master. The bus is considered to be free after the Stop condition is generated. The Stop condition occurs if while the SCL line is High, there is a Low-to-High transition of the SDA line.

The I²C interface serves the function of configuring the MVTX2804 at boot time. The master is the MVTX2804, and the slave is the EEPROM memory.

2.6 Synchronous Serial Interface

The synchronous serial interface serves the function of configuring the MVTX2804 *not* at boot time but via a PC. The PC serves as master and the MVTX2804 serves as slave. The protocol for the synchronous serial interface is nearly identical to the I²C protocol. The main difference is that there is no acknowledgment bit after each byte of data transferred.

The unmanaged MVTX2804 uses a synchronous serial interface to program the internal registers. To reduce the number of signals required, the register address, command and data are shifted in serially through the PS_DI pin. PS_STROBE pin is used as the shift clock. PS_DO pin is used as data return path.

Each command consists of four parts.

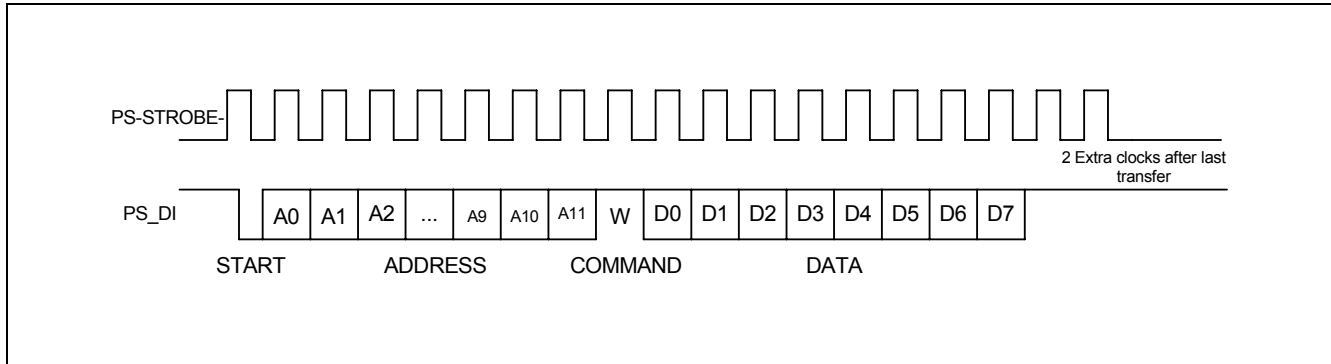
- START pulse
- Register Address
- Read or Write command
- Data to be written or read back

Any command can be aborted in the middle by sending an ABORT pulse to the MVTX2804.

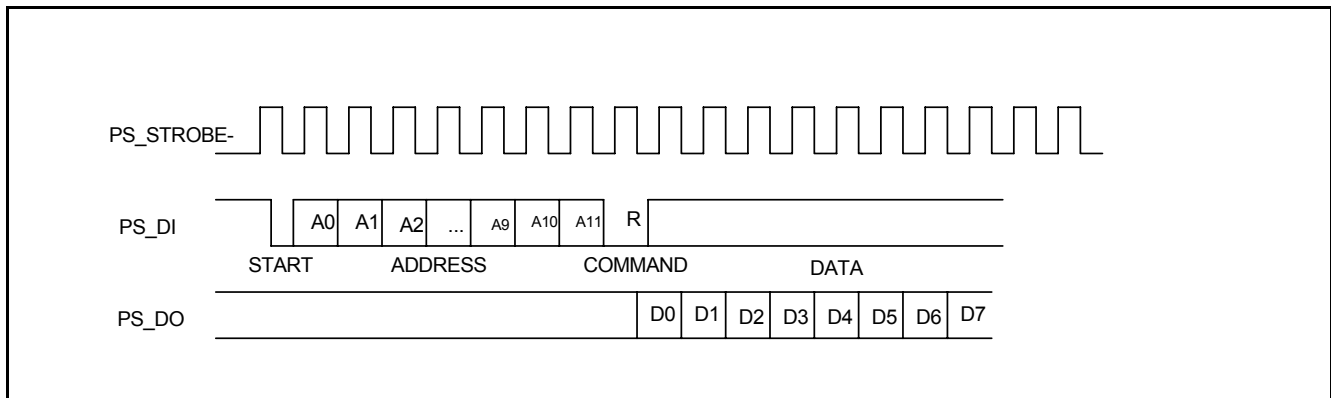
A START command is detected when PS_DI is sampled high at PS_STROBE - leading edge, and PS_DI is sampled low when PS_STROBE- falls.

An ABORT command is detected when PS_DI is sampled low at PS_STROBE - leading edge, and PS_DI is sampled high when PS_STROBE - falls.

2.6.1 Write Command



2.6.2 Read Command



All registers in the MVTX2804 can be modified through this synchronous serial interface.

3.0 Data Forwarding Protocol

3.1 Unicast Data Frame Forwarding

When a frame arrives, it is assigned a handle in memory by the Frame Control Buffer Manager (FCB Manager). An FCB handle will always be available, because of advance buffer reservations.

The memory (ZBT-SRAM) interface is two 64-bit buses, connected to two ZBT-SRAM domains, A and B. The Receive DMA (RxDMA) is responsible for multiplexing the data and the address. On a port's "turn," the RxDMA will move 8 bytes (or up to the end-of-frame) from the port's associated Rx FIFO into memory (Frame Data Buffer, or FDB).

Once an entire frame has been moved to the FDB, and a good end-of-frame (EOF) has been received, the Rx interface makes a switch request. The RxDMA arbitrates among multiple switch requests.

The switch request consists of the first 64 bytes of a frame, containing among other things, the source and destination MAC addresses of the frame. The search engine places a switch response in the switch response queue of the frame engine when done. Among other information, the search engine will have resolved the destination port of the frame and will have determined that the frame is unicast.

After processing the switch response, the Transmission Queue Manager (TxQ manager) of the frame engine is responsible for notifying the destination port that it has a frame to forward to it. But first, the TxQ manager has to decide whether or not to drop the frame, based on global FDB reservations and usage, as well as TxQ

occupancy at the destination. If the frame is not dropped, then the TxQ manager links the frame's FCB to the correct per-port-per-class TxQ. Unicast TxQ's are linked lists of transmission jobs, represented by their associated frames' FCBs. There is one linked list for each transmission class for each port. There are 8 classes for each of the 8 Gigabit ports - a total of 32 unicast queues.

The TxQ manager is responsible for scheduling transmission among the queues representing different classes for a port. When the port control module determines that there is room in the MAC Transmission FIFO (TxFIFO) for another frame, it requests the handle of a new frame from the TxQ manager. The TxQ manager chooses among the head-of-line (HOL) frames from the per-class queues for that port, using a Zarlink Semiconductor scheduling algorithm.

As at the transmit end, each of the 8 ports has time slots devoted solely to reading data from memory at the address calculated by port control. The Transmission DMA (TxDMA) is responsible for multiplexing the data and the address. On a port's turn, the TxDMA will move 8 bytes (or up to the EOF) from memory into the port's associated TxFIFO. After reading the EOF, the port control requests a FCB release for that frame. The TxDMA arbitrates among multiple buffer release requests.

The frame is transmitted from the TxFIFO to the line.

3.2 Multicast Data Frame Forwarding

After receiving the switch response, the TxQ manager has to make the dropping decision. A global decision to drop can be made, based on global FDB utilization and reservations. If so, then the FCB is released and the frame is dropped. In addition, a selective decision to drop can be made, based on the TxQ occupancy at some subset of the multicast packet's destinations. If so, then the frame is dropped at some destinations but not others, and the FCB is not released.

If the frame is not dropped at a particular destination port, then the TxQ manager formats an entry in the multicast queue for that port and class. Multicast queues are physical queues (unlike the linked lists for unicast frames). There are 4 multicast queues for each of the 8 Gigabit ports. There is one multicast queue for every two unicast classes.

During scheduling, the TxQ manager treats the unicast queue and the multicast queue of the same class as one logical queue.

The port control requests a FCB release only after the EOF for the multicast frame has been read by all ports to which the frame is destined.

3.3 Frame Forwarding To and From CPU

Frame forwarding from the CPU port to a regular transmission port is nearly the same as forwarding between transmission ports. The only difference is that the physical destination port must be indicated in addition to the destination MAC address. If an invalid port is indicated the frame is forwarded accordingly to the destination MAC address.

Frame forwarding to the CPU port is nearly the same as forwarding to a regular transmission port. The only difference is in frame scheduling. Instead of using the patent-pending scheduling algorithms, scheduling for the CPU port is simply based on strict priority. That is, a frame in a high priority queue will always be transmitted before a frame in a lower priority queue. There are four output queues to the CPU and one receive queue.

4.0 Memory Interface

4.1 Overview

The figure below illustrates the first part of the ZBT-SRAM interface for the MVTX2804. As shown, two ZBT-SRAM banks A and B are used, with a 64-bit bus connected to each. Each DMA can read and write from both bank A and bank B. During each tick, two memory operations will take place in parallel - one for bank A, and one for bank B. Because the clock frequency is 133 MHz, the total memory bandwidth is 128 bits 133 MHz = 17 Gbps, for frame data buffer (FDB) access.

In addition, the figure shows that the 8 Gigabit ports are actually grouped into sets of 4. If TxDMA 0 is using bank B during a given memory slot, then TxDMA's 1-3 will never be using bank A during this same slot. As a result, TxDMA's 0-3 can share the same bank selector.

Not shown in the figure are the CPU port RxDMA's and TxDMA's, each separately connected to its own bank selector.

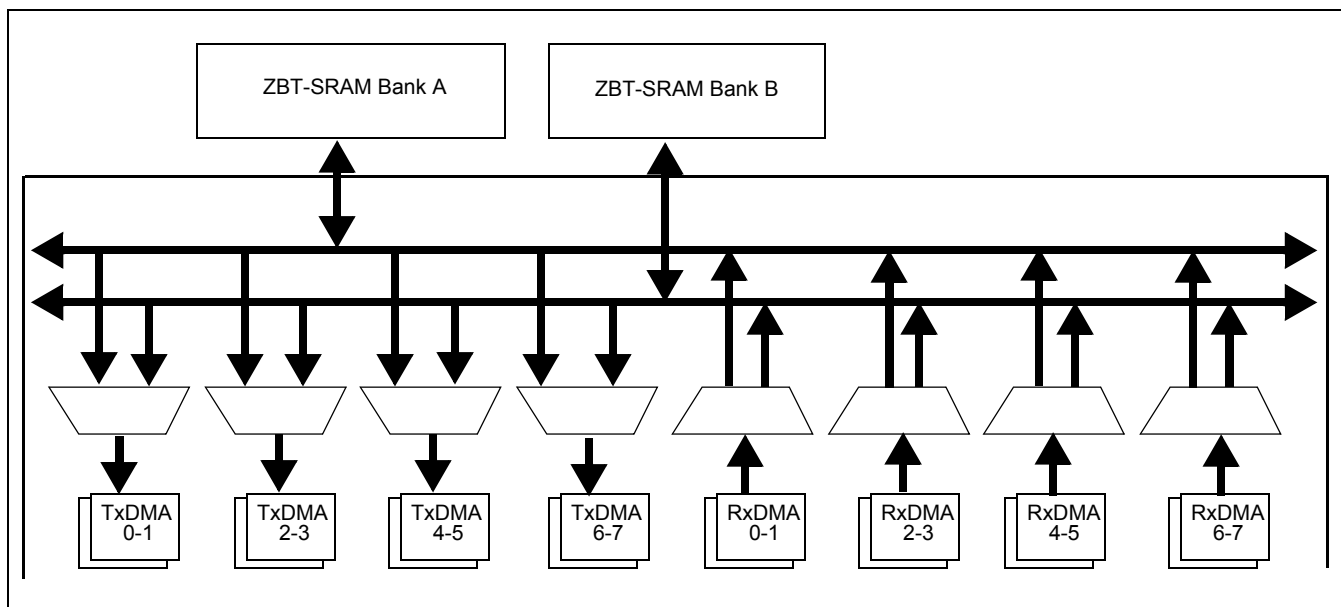


Figure 4 - MVTX2804 SRAM Interface Block Diagram (DMAs for Gigaport Ports)

4.2 Detailed Memory Information

Because the bus for each bank is 64 bits wide, frames are broken into 8-byte granules, written to and read from memory. The first 8-byte granule gets written to Bank A, the second 8-byte granule gets written to Bank B, and so on in alternating fashion. When reading frames from memory, the same procedure is followed, first from A, then from B, and so on.

The reading and writing from alternating memory banks can be performed with minimal waste of memory bandwidth. What's the worst case? For any speed port, in the worst case, a 1-byte-long EOF granule gets written to Bank A. This means that a 7-byte segment of Bank A bandwidth is idle, and furthermore, the next 8-byte segment of Bank B bandwidth is idle, because the first 8 bytes of the next frame will be written to Bank A, not B. This scenario results in a maximum 15 bytes of waste per frame, which is always acceptable because the interframe gap is 20 bytes.

The CPU management port gets treated like any other port, reading and writing to alternating memory banks starting with Bank A. Search engine data is written to both banks in parallel. In this way, a search engine read operation could be performed by either bank at any time without a problem.

5.0 Search Engine

5.1 Search Engine Overview

The MVTX2804 search engine is optimized for high throughput searching, with enhanced features to support:

- Up to 64K MAC addresses
- Up to 4K VLAN
- Up to 64K IP Multicast groups
- 4 groups of port trunking
- Traffic classification into 8 transmission priorities, and 2 drop precedence levels
- Packet filtering
- Security
- IP Multicast
- Per port, per VLAN Spanning Tree

5.2 Basic Flow

Shortly after a frame enters the MVTX2804 and is written to the Frame Data Buffer (FDB), the frame engine generates a Switch Request, which is sent to the search engine. The switch request consists of the first 64 bytes of the frame, which contain all the necessary information for the search engine to perform its task. When the search engine is done, it writes to the Switch Response Queue, and the frame engine uses the information provided in that queue for scheduling and forwarding.

In performing its task, the search engine extracts and compresses the useful information from the 64-byte switch request. Among the information extracted are the source and destination MAC addresses, the transmission and discard priorities, whether the frame is unicast or multicast, and VLAN ID. Requests are sent to the external SRAM Switch Database to locate the associated entries in the external MCT table.

When all the information has been collected from external SRAM, the search engine has to compare the MAC address on the current entry with the MAC address for which it is searching. If it is not a match, the process is repeated on the internal MCT Table. All MCT entries other than the first of each linked list are maintained internal to the chip. If the desired MAC address is still not found, then the result is either learning (source MAC address unknown) or flooding (destination MAC address unknown).

In addition, VLAN information is used to select the correct set of destination ports for the frame (for multicast), or to verify that the frame's destination port is associated with the VLAN (for unicast).

If the destination MAC address belongs to a port trunk, then the trunk number is retrieved instead of the port number. But on which port of the trunk will the frame be transmitted? This is easily computed using a hash of the source and destination MAC addresses.

When all the information is compiled, the switch response is generated, as stated earlier. The search engine also interacts with the CPU with regard to learning and aging.

5.3 Search, Learning, and Aging

5.3.1 MAC Search

The search block performs source MAC address and destination MAC address (or destination IP address for IP multicast) searching. As we indicated earlier, if a match is not found, then the next entry in the linked list must be examined, and so on until a match is found or the end of the list is reached.

In tag based VLAN mode, if the frame is unicast, and the destination port is not a member of the correct VLAN, then the frame is dropped; otherwise, the frame is forwarded. If the frame is multicast, this same table is used to

indicate all the ports to which the frame will be forwarded. Moreover, if port trunking is enabled, this block selects the destination port (among those in the trunk group).

In port based VLAN mode, a bitmap is used to determine whether the frame should be forwarded to the outgoing port. The main difference in this mode is that the bitmap is not dynamic. Ports cannot enter and exit groups because of real-time learning made by a CPU.

The MAC search block is also responsible for updating the source MAC address timestamp and the VLAN port association timestamp, used for aging.

5.3.2 Learning

The learning module learns new MAC addresses and performs port change operations on the MCT database. The goal of learning is to update this database as the networking environment changes over time. When CPU reporting is enabled, learning and port change will be performed when the CPU request queue has room, and a memory slot is available, and a “Learn MAC Address” message is sent to the CPU. When CPU reporting is disabled, learning and port change will be performed based on memory slot availability only.

In tag based VLAN mode, if the source port is not a member of a classified VLAN, a “New VLAN Port” message is sent to the CPU. The CPU can decide whether or not the source port can be added to the VLAN.

5.3.3 Aging

Aging time is controlled by register 400h and 401h.

The aging module scans and ages MCT entries based on a programmable “age out” time interval. As we indicated earlier, the search module updates the source MAC address and VLAN port association timestamps for each frame it processes. When an entry is ready to be aged, the entry is removed from the table, and a “Delete MAC Address” message is sent to inform the CPU.

Supported entry types are dynamic, static, source filter, destination filter, IP multicast, source and destination filter, and secure MAC address. Only dynamic entries can be aged; whether an entry is static or dynamic is maintained in the “status” field of the MCT data structure.

5.3.4 Data Structure

The MCT data structure is used for searching for MAC addresses. The structure is maintained by hardware in the search engine. The CPU can make requests to add to, delete from, or search the MCT database. The database is essentially a hash table, with collisions resolved by chaining. The database is partially external, and partially internal, as described earlier: the first MCT entry of each linked list is always located in the external SRAM, and the subsequent MCTs are located internally.

5.3.5 VLAN Port Association Table

31	30	29	27	26								0
Valid	Route	Reserved	Port 8 to 0 is VLAN status									
			Port 8	Port 7	Port 6	Port 5	Port 4	Port 3	Port 2	Port 1	Port 0	
			VLAN status	VLAN status	VLAN status	VLAN status	VLAN status	VLAN status	VLAN status	VLAN status	VLAN status	

VLAN STATUS [2:0]

- 000:Not a valid entry
- 001:Blocking status, no RX and TX
- 010:Not a VLAN member, spanning tree learn status
- 011:VLAN member, spanning tree learn status
- 100:Not a VLAN member, spanning tree forward status
- 101:VLAN member and is subject to aging, spanning tree forward status (Don't use)
- 110:VLAN member and is subject to aging, spanning tree forward status
- 111:VLAN member and is not subject to aging, spanning tree forward status

CPU can create static VLAN port by writing the static status to the VLAN- PORT status entry.

Dynamic VLAN and Port association can be created by writing "110" to the VLAN STATUS. Hardware will age and refresh the entry based on the VLAN - PORT activity. When the VLAN - PORT is ready to be aged out, a message is sent to CPU and CPU can remove the VLAN - PORT association by writing "000" to the VLAN STATUS. As a result, the VLAN and PORT are no long associated and the VLAN domain is shrunk.

6.0 Frame Engine

6.1 Data Forwarding Summary

- Enters the device at the RxMAC, the RxDMA will move the data from the MAC RxFIFO to the FDB. Data is moved in 8-byte granules in conjunction with the scheme for the SRAM interface.
- A switch request is sent to the Search Engine. The Search Engine processes the switch request.
- A switch response is sent back to the Frame Engine and indicates whether the frame is unicast or multicast, and its destination port or ports. A VLAN table lookup is performed as well.
- A Transmission Scheduling Request is sent in the form of a signal notifying the TxQ manager. Upon receiving a Transmission Scheduling Request, the device will format an entry in the appropriate Transmission Scheduling Queue (TxSch Q) or Queues. There is 8 transmission queues per Gigabit port, one for each priority. Creation of a queue entry either involves linking a new job to the appropriate linked list if unicast, or adding an entry to a physical queue if multicast.
- When the port is ready to accept the next frame, the TxQ manager will get the head-of-line (HOL) entry of one of the TxSch Qs, according to the transmission scheduling algorithm (so as to ensure per-class quality of service). The unicast linked list and the multicast queue for the same port-class pair are treated as one logical queue.
- The TxDMA will pull frame data from the memory and forward it granule-by-granule to the MAC TxFIFO of the destination port.

6.2 Frame Engine Details

This section briefly describes the functions of each of the modules of the MVTX2804 frame engine.

6.2.1 FCB Manager

The FCB manager allocates FCB handles to incoming frames, and releases FCB handles upon frame departure. The FCB manager is also responsible for enforcing buffer reservations and limits. The default values can be determined by referring to Chapter 8. In addition, the FCB manager is responsible for buffer aging, and for linking unicast forwarding jobs to their correct TxSch Q. The buffer aging can be enabled or disabled by the bootstrap pin and the aging time is defined in register FCBAT.

6.2.2 Rx Interface

The Rx interface is mainly responsible for communicating with the RxMAC. It keeps track of the start and end of frame and frame status (good or bad). Upon receiving an end of frame that is good, the Rx interface makes a switch request.

6.2.3 RxDMA

The RxDMA arbitrates among switch requests from each Rx interface. It also buffers the first 64 bytes of each frame for use by the search engine when the switch request has been made.

6.2.4 TxQ Manager

First, the TxQ manager checks the per-class queue status and global Reserved resource situation, and using this information, makes the frame dropping decision after receiving a switch response. If the decision is not to drop, the TxQ manager requests that the FCB manager link the unicast frame's FCB to the correct per-port-per-class TxQ. If multicast, the TxQ manager writes to the multicast queue for that port and class. The TxQ manager can also trigger source port flow control for the incoming frame's source if that port is flow control enabled. Second, the TxQ manager handles transmission scheduling; it schedules transmission among the queues representing different classes for a port. Once a frame has been scheduled, the TxQ manager reads the FCB information and writes to the correct port control module.

6.3 Port Control

The port control module calculates the SRAM read address for the frame currently being transmitted. It also writes start of frame information and an end of frame flag to the MAC TxFIFO. When transmission is done, the port control module requests that the buffer be released.

6.4 TxDMA

The TxDMA multiplexes data and address from port control, and arbitrates among buffer release requests from the port control modules.

7.0 Quality of Service and Flow Control

7.1 Model

Quality of service (QoS) is an all-encompassing term for which different people have different interpretations. In this chapter, by quality of service assurances, we mean the allocation of chip resources so as to meet the latency and bandwidth requirements associated with each traffic class. We do not presuppose anything about the offered traffic pattern. If the traffic load is light, then ensuring quality of service is straightforward. But if the traffic load is heavy, the MVTX2804 must intelligently allocate resources so as to assure quality of service for high priority data.

We assume that the network manager knows his applications, such as voice, file transfer, or web browsing, and their relative importance. The manager can then subdivide the applications into classes and set up a service contract with each. The contract may consist of bandwidth or latency assurances per class. Sometimes it may even reflect an estimate of the traffic mix offered to the switch, though this is not required.

The table below shows examples of QoS applications with eight transmission priorities, including best effort traffic for which we provide no bandwidth or latency assurances.

Class	Example Assured Bandwidth (user defined)	Low Drop Subclass (If class is oversubscribed, these packets are the last to be dropped.)	High Drop Subclass (If class is oversubscribed, these packets are the first to be dropped.)
Highest transmission priorities, P7 Latency < 200 μs	300 Mbps	Sample application: control information	
Highest transmission priorities, P6 Latency < 200 μs	200 Mbps	Sample applications: phone calls; circuit emulation	Sample application: training video; other multimedia
Middle transmission priorities, P5 Latency < 400 μs	125 Mbps	Sample application: interactive activities	Sample application: non-critical interactive activities
Middle transmission priorities, P4 Latency < 800 μs	250 Mbps	Sample application: web business	Sample application: non-critical interactive activities
Low transmission priorities, P3 Latency < 1600 μs	80 Mbps	Sample application: file backups	
Low transmission priorities, P2 Latency < 3200 μs	45 Mbps	Sample application: email	Sample application: web research
Best effort, P1-P0	-	Sample application: casual web browsing	
TOTAL	1 Gbps		

Table 1 - Two-dimensional World Traffic

In our model, it is possible that a class of traffic may attempt to monopolize system resources by sending data at a rate in excess of the contractually assured bandwidth for that class. A well-behaved class offers traffic at a rate no greater than the agreed-upon rate. By contrast, a misbehaving class offers traffic that exceeds the agreed-upon rate. A misbehaving class is formed from an aggregation of misbehaving microflows. To achieve high link utilization, a misbehaving class is allowed to use any idle bandwidth. However, the quality of service (QoS) received by well-behaved classes must never suffer.

As Table 1 illustrates, each traffic class may have its own distinct properties and applications. As shown, classes may receive bandwidth assurances or latency bounds. In the example, P7, the highest transmission class, requires that all frames be transmitted within 0.2 ms, and receives 30% of the 1 Gbps of bandwidth at that port.

Best-effort (P1-P0) traffic forms a lower tier of service that only receives bandwidth when none of the other classes have any traffic to offer.

In addition, each transmission class has two subclasses, high-drop and low-drop. Well-behaved users should not lose packets. But poorly behaved users - users who send data at too high a rate - will encounter frame loss, and the first to be discarded will be high-drop. Of course, if this is insufficient to resolve the congestion, eventually some low-drop frames are dropped as well.

Table 1 shows that different types of applications may be placed in different boxes in the traffic table. For example, web search may fit into the category of high-loss, high-latency-tolerant traffic, whereas VoIP fits into the category of low-loss, low-latency traffic.

7.2 Four QoS Configurations

There are four basic pieces to QoS scheduling in the MVTX2804: strict priority (SP), delay bound, weighted fair queuing (WFQ), and best effort (BE). Using these four pieces, there are four different modes of operation, as shown in Table 2.

	P7	P6	P5	P4	P3	P2	P1	P0
Op1 (default)	Delay Bound						BE	
Op2	SP		Delay Bound				BE	
Op3	SP		WFQ					
Op4	WFQ							

Table 2 - Four QoS configurations per port

The default configuration is six delay-bounded queues and two best-effort queues. The delay bounds per class are 0.16 ms for P7 and P6, 0.32 ms for P5, 0.64 ms for P4, 1.28 ms for P3, and 2.56 ms for P2. Best effort traffic is only served when there is no delay-bounded traffic to be served. P1 has strict priority over P0.

We have a second configuration in which there are two strict priority queues, four delay bounded queues, and two best effort queues. The delay bounds per class are 0.32 ms for P5, 0.64 ms for P4, 1.28 ms for P3, and 2.56 ms for P2. If the user is to choose this configuration, it is important that P7-P6 (SP) traffic be either policed or implicitly bounded (e.g. if the incoming SP traffic is very light and predictably patterned). Strict priority traffic, if not admission-controlled at a prior stage to the MVTX2804, can have an adverse effect on all other classes' performance. P7 and P6 are both SP classes, and P7 has strict priority over P6.

The third configuration contains two strict priority queues and six queues receiving a bandwidth partition via WFQ. As in the second configuration, strict priority traffic needs to be carefully controlled.

In the fourth configuration, all queues are served using a WFQ service discipline.

7.3 Delay Bound

In the absence of a sophisticated QoS server and signalling protocol, the MVTX2804 may not be assured of the mix of incoming traffic ahead of time. To cope with this uncertainty, our delay assurance algorithm dynamically adjusts its scheduling and dropping criteria, guided by the queue occupancies and the due dates of their head-of-line (HOL) frames. As a result, we assure latency bounds for all admitted frames with high confidence, even in the presence of system-wide congestion. Our algorithm identifies misbehaving classes and intelligently discards frames at no detriment to well-behaved classes. Our algorithm also differentiates between high-drop and low-drop traffic with a weighted random early drop (WRED) approach. Random early dropping prevents congestion by randomly dropping a percentage of high-drop frames even before the chip's buffers are completely full, while still largely sparing low-drop frames. This allows high-drop frames to be discarded early, as a sacrifice for future low-drop frames. Finally, the delay bound algorithm also achieves bandwidth partitioning among classes.

7.4 Strict Priority and Best Effort

When strict priority is part of the scheduling algorithm, if a queue has even one frame to transmit, it goes first. Two of our four QoS configurations include strict priority queues. The goal is for strict priority classes to be used for IETF expedited forwarding (EF), where performance guarantees are required. As we have indicated, it is important that strict priority traffic be either policed or implicitly bounded, so as to keep from harming other traffic classes.

When best effort is part of the scheduling algorithm, a queue only receives bandwidth when none of the other classes have any traffic to offer. Two of our four QoS configurations include best effort queues. The goal is for

best effort classes to be used for non-essential traffic, because we provide no assurances about best effort performance. However, in a typical network setting, much best effort traffic will indeed be transmitted, and with an adequate degree of expediency.

Because we do not provide any delay assurances for best effort traffic, we do not enforce latency by dropping best effort traffic. Furthermore, because we assume that strict priority traffic is carefully controlled before entering the MVTX2804, we do not enforce a fair bandwidth partition by dropping strict priority traffic. To summarize, dropping to enforce quality of service (i.e. bandwidth or delay) does not apply to strict priority or best effort queues. We only drop frames from best effort and strict priority queues when global buffer resources become scarce.

7.5 Weighted Fair Queuing

In some environments - for example, in an environment in which delay assurances are not required, but precise bandwidth partitioning on small time scales is essential - WFQ may be preferable to a delay-bounded scheduling discipline. The MVTX2804 provides the user with a WFQ option with the understanding that delay assurances cannot be provided if the incoming traffic pattern is uncontrolled. The user sets eight WFQ "weights" such that all weights are whole numbers and sum to 64. This provides per-class bandwidth partitioning with error within 2%.

In WFQ mode, though we do not assure frame latency, the MVTX2804 still retains a set of dropping rules that helps to prevent congestion and trigger higher level protocol end-to-end flow control.

As before, when strict priority is combined with WFQ, we do not have special dropping rules for the strict priority queues, because the input traffic pattern is assumed to be carefully controlled at a prior stage. However, we do indeed drop frames from SP queues for global buffer management purposes. In addition, queues P1 and P0 are treated as best effort from a dropping perspective, though they still are assured a percentage of bandwidth from a WFQ scheduling perspective. What this means is that these particular queues are only affected by dropping when the global buffer count becomes low.

7.6 Shaper

Although traffic shaping is not a primary function of the MVTX2804, the chip does implement a shaper for expedited forwarding (EF). Our goal in shaping is to control the peak and average rate of traffic exiting the MVTX2804. Shaping is limited to class P6 (the second highest priority). This means that class P6 will be the class used for EF traffic. (By contrast, we assume class P7 will be used for control packets only.) If shaping is enabled for P6, then P6 traffic must be scheduled using strict priority. With reference to Table 2, only the middle two QoS configurations may be used.

Peak rate is set using a programmable whole number, no greater than 64 (register QOS-CREDIT_C6_Gn). For example, if the setting is 32, then the peak rate for shaped traffic is $32/64 \cdot 1000 \text{ Mbps} = 500 \text{ Mbps}$. Average rate is also a programmable whole number, no greater than 64, and no greater than the peak rate. For example, if the setting is 16, then the average rate for shaped traffic is $16/64 \cdot 1000 \text{ Mbps} = 250 \text{ Mbps}$. As a consequence of the above settings in our example, shaped traffic will exit the MVTX2804 at a rate always less than 500 Mbps, and averaging no greater than 250 Mbps.

Also, when shaping is enabled, it is possible for a P6 queue to explode in length if fed by a greedy source. The reason is that a shaper is by definition not work-conserving; that is, it may hold back from sending a packet even if the line is idle. Though we do have global resource management, we do nothing to prevent this situation locally. We assume SP traffic is policed at a prior stage to the MVTX2804.

7.7 WRED Drop Threshold Management Support

To avoid congestion, the Weighted Random Early Detection (WRED) logic drops packets according to specified parameters. The following table summarizes the behaviour of the WRED logic.

	P7	P6	P5	P4	P3	P2	High Drop	Low Drop
Level 1 $N \geq 240$	$ P7 \geq A$ KB	$ P6 \geq B$ KB	$ P5 \geq C$ KB	$ P4 \geq D$ KB	$ P3 \geq E$ KB	$ P2 \geq F$ KB	X%	0%
Level 2 $N \geq 280$							Y%	Z%
Level 3 $N \geq 320$							100%	100%

Table 3 - WRED Dropping Scheme

In the table, $|P_x|$ is the byte count in queue P_x . The WRED logic has three drop levels, depending on the value of N , which is based on the number of bytes in the priority queues. If delay bound scheduling is used, N equals $16|P7| + 16|P6| + 8|P5| + 4|P4| + 2|P3| + |P2|$. If WFQ scheduling is used, N equals $|P7| + |P6| + |P5| + |P4| + |P3| + |P2|$. Each drop level has defined high-drop and low-drop percentages, which indicate the percentage of high-drop and low-drop packets that will be dropped at that level. The X, Y, and Z percent parameters can be programmed using the registers RDRC0 and RDRC1. Parameters A-F are the byte count thresholds for each priority queue, and are also programmable. When using delay bound scheduling, the values selected for A-F also control the approximate bandwidth partition among the traffic classes; see application note.

7.8 Buffer Management

Because the number of frame data buffer (FDB) slots is a scarce resource, and because we want to ensure that one misbehaving source port or class cannot harm the performance of a well-behaved source port or class, we introduce the concept of buffer management into the MVTX2804. Our buffer management scheme is designed to divide the total buffer space into numerous reserved regions and one shared pool, (see Figure 4).

As shown in the figure, the FDB pool is divided into several parts. A reserved region for temporary frames stores frames prior to receiving a switch response. Such a temporary region is necessary, because when the frame first enters the MVTX2804, its destination port and class are as yet unknown, and so the decision to drop or not needs to be temporarily postponed. This ensures that every frame can be received first before subjecting it to the frame drop discipline after classifying.

Six reserved sections, one for each of the highest six priority classes, ensure a programmable number of FDB slots per class. The lowest two classes do not receive any buffer reservation.

Another segment of the FDB reserves space for each of the 8 Gigabit ports and CPU port. These source port buffer reservations are programmable. These 9 reserved regions make sure that no well-behaved source port can be blocked by another misbehaving source port.

In addition, there is a shared pool, which can store any type of frame. The registers related to the Buffer Management logic are

- PRG- Port Reservation for Gigabit Ports and CPU port
- SFCB- Share FCB Size
- C2RS- Class 2 Reserved Size
- C3RS- Class 3 Reserved Size
- C4RS- Class 4 Reserved Size

- C5RS- Class 5 Reserved Size
- C6RS- Class 6 Reserved Size
- C7RS- Class 7 Reserved Size

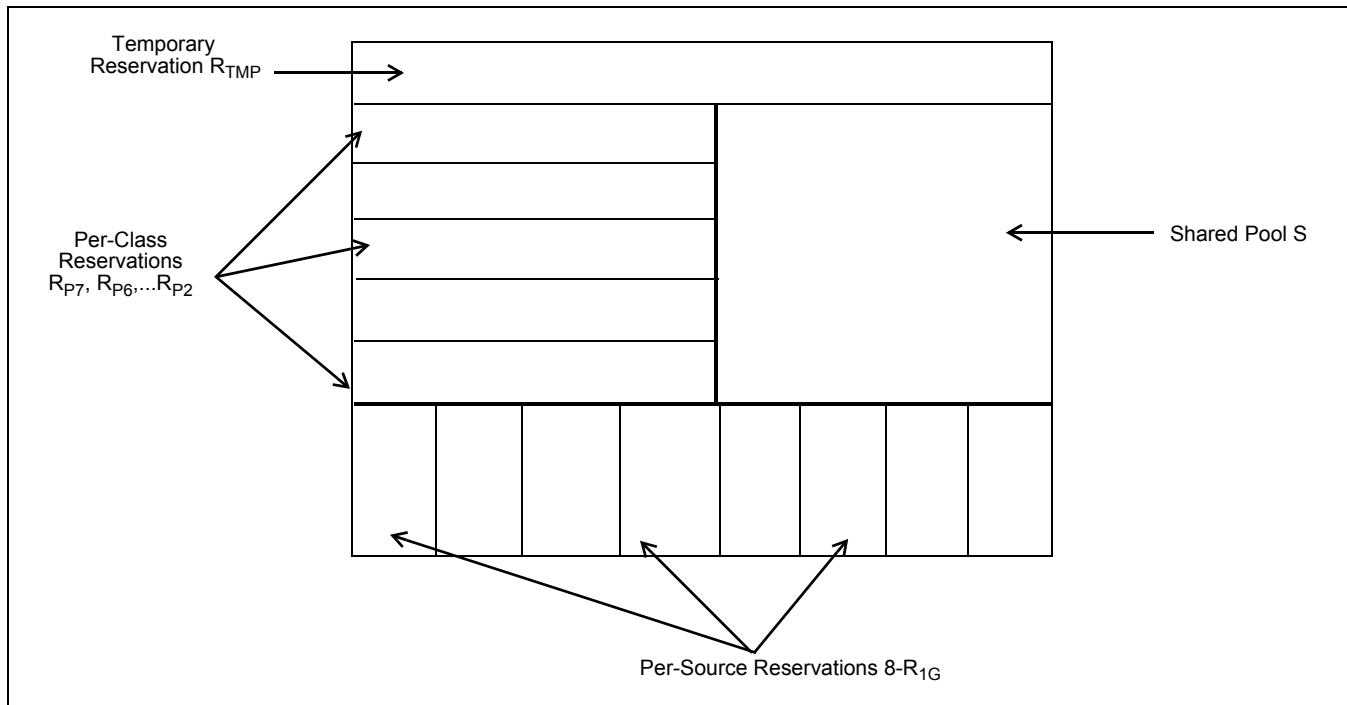


Figure 5 - Buffer Partition Scheme Used in the MVTX2804

7.8.1 Dropping When Buffers Are Scarce

The following is a summary of the two examples of local dropping discussed earlier in this chapter:

- If a queue is a delay-bounded queue, we have a multi-level WRED drop scheme, designed to control delay and partition bandwidth in case of congestion.
- If a queue is a WFQ-scheduled queue, we have a multi-level WRED drop scheme, designed to prevent congestion.

In addition to these reasons for dropping, the MVTX2804 also drops frames when global buffer space becomes scarce. The function of buffer management is to ensure that such droppings cause as little blocking as possible.

7.9 Flow Control Basics

Because frame loss is unacceptable for some applications, the MVTX2804 provides a flow control option. When flow control is enabled, scarcity of buffer space in the switch may trigger a flow control signal; this signal tells a source port, sending a packet to this switch, to temporarily hold off.

While flow control offers the clear benefit of no packet loss, it also introduces a problem for quality of service. When a source port receives an Ethernet flow control signal, all microflows originating at that port, well-behaved or not, are halted. A single packet destined for a congested output can block other packets destined for uncongested outputs. The resulting head-of-line blocking phenomenon means that quality of service cannot be assured with high confidence when flow control is enabled.

In the MVTX2804, each source port can independently have flow control enabled or disabled. For flow control enabled ports, by default all frames are treated as lowest priority during transmission scheduling. This is done so that those frames are not exposed to the WRED Dropping scheme. Frames from flow control enabled ports

feed to only one queue at the destination, the queue of lowest priority. What this means is that if flow control is enabled for a given source port, then we can guarantee that no packets originating from that port will be lost, but at the possible expense of minimum bandwidth or maximum delay assurances. In addition, these “downgraded” frames may only use the shared pool or the per-source reserved pool in the FDB; frames from flow control enabled sources may not use reserved FDB slots for the highest six classes (P2-P7).

The MVTX2804 does provide a system-wide option of permitting normal QoS scheduling (and buffer use) for frames originating from flow control enabled ports. When this programmable option is active, it is possible that some packets may be dropped, even though flow control is on. The reason is that intelligent packet dropping is a major component of the MVTX2804's approach to ensuring bounded delay and minimum bandwidth for high priority flows.

7.9.1 Unicast Flow Control

For unicast frames, flow control is triggered by source port resource availability. Recall that the MVTX2804's buffer management scheme allocates a reserved number of FDB slots for each source port. If a programmed number of a source port's reserved FDB slots have been used, then flow control Xoff is triggered. Xon is triggered when a port is currently being flow controlled, and all of that port's reserved FDB slots have been released.

Note that the MVTX2804's per-source-port FDB reservations assure that a source port that sends a single frame to a congested destination will not be flow controlled.

7.9.2 Multicast Flow Control

In unmanaged mode, a global buffer counter triggers flow control for multicast frames. When the system exceeds a programmable threshold of multicast packets, Xoff is triggered. Xon is triggered when the system returns below this threshold. MCC register programs the threshold.

In managed mode, per-VLAN flow control is used for multicast frames. In this case, flow control is triggered by congestion at the destination. The MVTX2804 checks each destination to which a multicast packet is headed. For each destination port, the occupancy of the lowest-priority transmission queue (measured in number of frames) is compared against a programmable congestion threshold. If congestion is detected at even one of the packet's destinations, then Xoff is triggered.

In addition, each source port has an 8-bit port map recording which port or ports of the multicast frame's fanout were congested at the time Xoff was triggered. All ports are continuously monitored for congestion, and a port is identified as uncongested when its queue occupancy falls below a fixed threshold. When all those ports that were originally marked as congested in the port map have become uncongested, then Xon is triggered, and the 8-bit vector is reset to zero.

The MVTX2804 also provides the option of disabling multicast flow control.

Note: If port flow control is on, QoS performance will be affected.

7.10 Mapping to IETF Diffserv Classes

The mapping between priority classes discussed in this chapter and elsewhere is shown below.

MVTX2804	P7	P6	P5	P4	P3	P2	P1	P0
IETF	NM	EF	AF0	AF1	AF2	AF3	BE0	BE1

Table 4 - Mapping between MVTX2804 and IETF Diffserv Classes for Gigabit Ports

As the table illustrates, P7 is used solely for network management (NM) frames. P6 is used for expedited forwarding service (EF). Classes P2 through P5 correspond to an assured forwarding (AF) group of size 4. Finally, P0 and P1 are two best effort (BE) classes.

Features of the MVTX2804 that correspond to the requirements of their associated IETF classes are summarized in the table below.

Network management (NM) and Expedited forwarding (EF)	<ul style="list-style-type: none"> • Global buffer reservation for NM and EF • Shaper for EF traffic • Option of strict priority scheduling • No dropping if admission controlled
Assured forwarding (AF)	<ul style="list-style-type: none"> • Four AF classes • Programmable bandwidth partition, with option of WFQ service • Option of delay-bounded service keeps delay under fixed levels even if not admission-controlled • Random early discard, with programmable levels • Global buffer reservation for each AF class
Best effort (BE)	<ul style="list-style-type: none"> • Two BE classes • Service only when other queues are idle means that QoS not adversely affected • Random early discard, with programmable levels • Traffic from flow control enabled ports automatically classified as BE

Figure 6 - MVTX2804 Features Enabling IETF Diffserv Standards

8.0 Port Trunking

8.1 Features and Restrictions

A port group (i.e. trunk) can include up to 8 physical ports, but all of the ports in a group must be in the same MVTX2804.

In managed mode, there are four trunk groups total.

In unmanaged mode, the MVTX2804 provides several pre-assigned trunk group options, containing as many as 4 ports per group, or alternatively, as many as 4 total groups.

Load distribution among the ports in a trunk for unicast is performed using hashing based on source MAC address and destination MAC address. The other options include source MAC address only, destination MAC address only. Load distribution for multicast is performed similarly.

If a VLAN includes any of the ports in a trunk group, all the ports in that trunk group should be in the same VLAN member map.

The MVTX2804 also provides a safe fail-over mode for port trunking automatically. If one of the ports in the trunking group goes down, the MVTX2804 will automatically redistribute the traffic over to the remaining ports in the trunk in unmanaged mode. In managed mode, the software can perform similar tasks.

8.2 Unicast Packet Forwarding

The search engine finds the destination MCT entry, and if the status field says that the destination address found belongs to a trunk, then the group number is retrieved instead of the port number. In addition, if the source address belongs to a trunk, then the source port's trunk membership register is checked to determine if the address has moved.

A hash key is used to determine the appropriate forwarding port, based on some combination of the source and destination MAC addresses for the current packet.

The search engine retrieves the VLAN member ports from the VLAN index table, which consists of 4K entries.

The search engine retrieves the VLAN member ports from the ingress port's VLAN map. Based on the destination MAC address, the search engine determines the egress port from the MCT database. If the egress port is a member of a trunk group, the packet can be distributed to the other members of that trunk group. The VLAN map is used to check whether the egress port is a member of the VLAN, based on the ingress port. If it is a member, the packet is forwarded otherwise it is discarded.

8.3 Multicast Packet Forwarding

For multicast packet forwarding, the device must determine the proper set of ports from which to transmit the packet based on the VLAN index and hash key.

Two functions are required in order to distribute multicast packets to the appropriate destination ports in a port trunking environment.

- Determining one forwarding port per group.
- For multicast packets, all but one port per group, the forwarding port, must be excluded.

8.4 Preventing Multicast Packets from Looping Back to the Source Trunk

The search engine needs to prevent a multicast packet from sending to a port that is in the same trunk group with the source port. This is because, when we select the primary forwarding port for each group, we do not take the source port into account. To prevent this, we simply apply one additional filter, so as to block that forwarding port for this multicast packet.

9.0 LED Interface

9.1 Introduction

The MVTX2804 LED block provides two interfaces: a serial output channel, and a parallel time-division interface. The serial output channel provides port status information from the MVTX2804 chip in a continuous serial stream. This means that a low cost external device must be used to decode the serial data and to drive an LED array for display.

By contrast, the parallel time-division interface supports a glueless LED module. Indeed, the parallel interface can directly drive low-current LEDs without any extra logic. The pin LED_PM is used to select serial or parallel mode.

For some LED signals, the interface also provides a blinking option. Blinking may be enabled for LED signals TxD, RxD, COL, and FC (to be described later). The pin LED_BLINK is used to enable blinking, and the blinking frequency is around 160 ms.

9.2 Serial Mode

In serial mode, the following pins are utilized:

- LED_SYNCO - a sync pulse that defines the boundary between status frames
- LED_CLKO - the clock signal
- LED_DO - a continuous serial stream of data for all status LEDs that repeats once every frame time

In each cycle (one frame of status information, or one sync pulse), 16x8 bits of data are transmitted on the LED_DO signal. The sequence of transmission of data bits is as shown in the figure below:

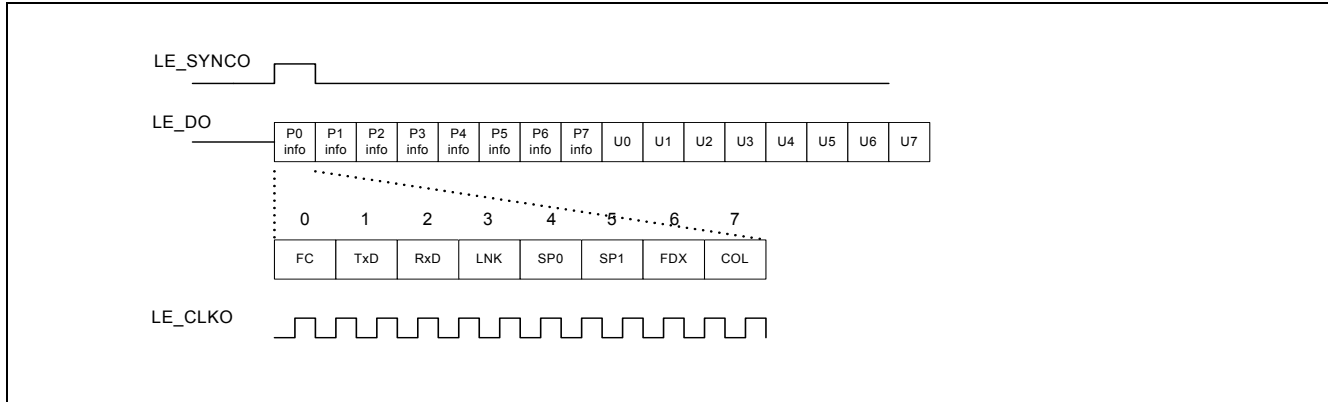


Figure 7 - Timing diagram for serial mode in LED interface

The status bits shown in here are flow control (FC), transmitting data (TxD), receiving data (RxD), link up (LNK), speed (SP0 and SP1), full duplex (FDX), and collision (COL). Note that SP[1:0] is defined as 10 for 1 Gbps, 01 for 100 Mbps, and 00 for 10 Mbps.

Also note that U0-U7 represent user-defined sub-frames in which additional status information may be embedded. We will see later that the MVTX2804 provides registers that can be written by the CPU to indicate this additional status information as it becomes available.

9.3 Parallel Mode

In parallel mode, the following pins are utilized:

- LED_PORT_SEL[9:0] - indicates which of the 8 Gigabit port status bytes or 2 user-defined status bytes is being read out
- LED_BYTEOUT_[7:0] - provides 8 bits for 8 different port status indicators. Note that these bits are active low.

By default, the system is in parallel mode. In parallel mode, the 10 status bytes are scanned in a continuous loop, with one byte read out per clock cycle, and the appropriate port select bit asserted.

9.4 LED Control Registers

An LED Control Register can be used for programming the LED clock rate, sample hold time, and pattern in parallel mode.

In addition, the MVTX2804 provides 8 registers called LEDUSER[7:0] for user-defined status bytes. During operation, the CPU can write values to these registers, which will be read out to the LED interface output (serial or parallel). Only LEDUSER[1:0] are used in parallel mode. The content of the LEDUSER registers will be sent out by the LED serial shift logic, or in parallel mode, a byte at a time.

Because in parallel mode there are only two user-defined registers, LEDUSER[7:2] is shared with LEDSIG[7:2].

For LEDSIG[j], where $j = 2, 3, \dots, 6$, the corresponding register is used for programming the LED pin LED_BYTEOUT_[j]. The format is as follows:

7			4	3			0
COL	FDX	SP1	SP0	COL	FDX	SP1	SP0

Bits [3:0]Signal polarity:

0: do not invert polarity (high true)

1: invert polarity

Bits [7:4]Signal select:

0: do not select

1: select the corresponding bit

For $j = 2, 3, \dots, 5$, the value of LED_BYTEOUT_[j] equals the logical AND of all selected bits. For $j = 6$, the value is equal to the logical OR. Therefore, the programmable LEDSIG[5:2] registers allow any conjunctive formula including any of the 4 status bits (COL, FDX, SP1, SP0) or their negations to be sent to the LED_BYTEOUT_[5:2] pins. Similarly, the programmable LEDSIG[6] register allows any disjunctive formula including any of the 4 status bits or their negations to be sent to pin LED_BYTEOUT_[6].

LEDSIG[7] is used for programming both LED_BYTEOUT_[1] and LED_BYTEOUT_[0]. As we will see, it has other functions as well. The format is as follows:

7				4	3			0
GP	RxD	TxD	FC	P6	RxD	TxD	FC	

- Bits [7] • Global output polarity: this bit controls the output polarity of all LED_BYTEOUT_ and LED_PORT_SEL pins. **(Default 0)**
- 0: do not invert polarity (LED_BYTEOUT_[7:0] are high activated; LED_PORT_SEL[9:0] are low activated)
 - 1: invert polarity (LED_BYTEOUT_[7:0] are low activated; LED_PORT_SEL[9:0] are high activated)
- Bits [6:4] • Signal select:
- 0: do not select
 - 1: select the corresponding bit
- The value of LED_BYTEOUT_[1] equals the logical OR of all selected bits. **(Default 110)**
- Bit [3] • Polarity control of LED_BYTEOUT_[6] **(Default 0)**
- 0: do not invert
 - 1: invert
- Bits [2:0] • Signal select:
- 0: do not select
 - 1: select the corresponding bit
- The value of LED_BYTEOUT_[0] equals the logical OR of all selected bits. **(Default 001)**

10.0 Hardware Statistics Counter

10.1 Hardware Statistics Counters List

MVTX2804 hardware provides a full set of statistics counters for each Ethernet port. The CPU accesses these counters through the CPU interface. All hardware counters are rollover counters. When a counter rolls over, the CPU is interrupted, so that long-term statistics may be kept. The MAC detects all statistics, except for the delay exceed discard counter (detected by buffer manager) and the filtering counter (detected by queue manager). The following is the wrapped signal sent to the CPU through the command block.

31	30	26	25	0
				Status Wrapped Signal
B[0]	0-d	Bytes Sent (D)		
B[1]	1-L	Unicast Frame Sent		
B[2]	1-U	Frame Send Fail		
B[3]	2-l	Flow Control Frames Sent		
B[4]	2-u	Non-Unicast Frames Sent		
B[5]	3-d	Bytes Received (Good and Bad) (D)		
B[6]	4-d	Frames Received (Good and Bad) (D)		
B[7]	5-d	Total Bytes Received (D)		
B[8]	6-L	Total Frames Received		
B[9]	6-U	Flow Control Frames Received		
B[10]	7-l	Multicast Frames Received		
B[11]	7-u	Broadcast Frames Received		
B[12]	8-L	Frames with Length of 64 Bytes		
B[13]	8-U	Jabber Frames		
B[14]	9-L	Frames with Length Between 65-127 Bytes		
B[15]	9-U	Oversize Frames		
B[16]	A-l	Frames with Length Between 128-255 Bytes		
B[17]	A-u	Frames with Length Between 256-511 Bytes		
B[18]	B-l	Frames with Length Between 512-1023 Bytes		
B[19]	B-u	Frames with Length Between 1024-1528 Bytes		
B[20]	C-l	Fragments		
B[21]	C-U1	Alignment Error		
B[22]	C-U	Undersize Frames		
B[23]	D-l	CRC		
B[24]	D-u	Short Event		
B[25]	E-l	Collision		
B[26]	E-u	Drop		
B[27]	F-l	Filtering Counter		
B[28]	F-U1	Delay Exceed Discard Counter		
B[29]	F-U	Late Collision		
B[30]		Link Status Change		
B[31]		Current link status		

Notation: X-Y

X: Address in the contain memory

Y: Size and bits for the counter

d: D Word counter

L: 24 bits counter bit[23:0]

U: 8 bits counter bit[31:24]

U1: 8 bits counter bit[23:16]

l: 16 bits counter bit[15:0]

u: 16 bits counter bit[31:16]

10.2 IEEE 802.3 HUB Management (RFC 1213)

10.2.1 Event Counters

10.2.1.1 READABLEOCTET

Counts number of bytes (i.e. octets) contained in **good valid frames** received.

Frame size: ≥ 64 bytes, < 1522 bytes if VLAN Tagged;

1518 bytes if not VLAN Tagged

No FCS (i.e. checksum) error

No collisions

10.2.1.2 READABLEFRAME

Counts number of good valid frames received.

Frame size: ≥ 64 bytes, < 1522 bytes if VLAN Tagged;

1518 bytes if not VLAN Tagged

No FCS error

No collisions

10.2.1.3 FCSERRORS

Counts number of valid frames received with bad FCS.

Frame size: ≥ 64 bytes, ≤ 1522 bytes if VLAN Tagged;

1518 bytes if not VLAN Tagged

No framing error

No collisions

10.2.1.4 ALIGNMENTERRORS

Counts number of valid frames received with bad alignment (not byte-aligned).

Frame size: ≥ 64 bytes, ≤ 1522 bytes if VLAN Tagged;

1518 bytes if not VLAN Tagged

No framing error

No collisions

10.2.1.5 FRAMETOOLONGS

Counts number of frames received with size exceeding the maximum allowable frame size.

Frame size: ≥ 64 bytes, ≤ 1522 bytes if VLAN Tagged;

1518 bytes if not VLAN Tagged

FCS error: don't care

Framing error:don't care

No collisions

10.2.1.6 SHORTEVENTS

Counts number of frames received with size less than the length of a short event.

Frame size: ≥ 64 bytes, ≤ 10 bytes

FCS error:don't care

Framing error:don't care

No collisions

10.2.1.7 RUNTS

Counts number of frames received with size under 64 bytes, but greater than the length of a short event.

Frame size: ≥ 10 bytes, ≤ 64 bytes

FCS error:don't care

Framing error:don't care

No collisions

10.2.1.8 COLLISIONS

Counts number of collision events.

Frame size:any size

10.2.1.9 LATEEVENTS

Counts number of collision events that occurred late (after LateEventThreshold = 64 bytes).

Frame size:any size

Events are also counted by collision counter

10.2.1.10 VERYLONGEVENTS

Counts number of frames received with size larger than Jabber Lockup Protection Timer (TW3).

Frame size: $>$ Jabber

10.2.1.11 DATARATEMISMATCHES

For repeaters or HUB application only.

10.2.1.12 AUTOPARTITIONS

For repeaters or HUB application only.

10.2.1.13 TOTALERRORS

Sum of the following errors:

FCS errors

Alignment errors

Frame too long

Short events

Late events

Very long events

10.3 IEEE - 802.1 Bridge Management (RFC 1286)

10.3.0.1 Event Counters

10.3.0.2 INFRAMES

Counts number of frames received by this port or segment.

Note: this counter only counts a frame received by this port if and only if it is for a protocol being processed by the local bridge function.

10.3.0.3 OUTFRAMES

Counts number of frames transmitted by this port.

Note: this counter only counts a frame transmitted by this port if and only if it is for a protocol being processed by the local bridge function.

10.3.0.4 INDISCARDS

Counts number of valid frames received which were discarded (i.e., filtered) by the forwarding process.

10.3.0.5 DELAYEXCEEDEDDISCARDS

Counts number of frames discarded due to excessive transmit delay through the bridge.

10.3.0.6 MTUEXCEEDEDDISCARDS

Counts number of frames discarded due to excessive size.

10.4 RMON - Ethernet Statistic Group (RFC 1757)

10.4.1 Event Counters

10.4.1.1 DROP EVENTS

Counts number of times a packet is dropped, because of lack of available resources. DOES NOT include all packet dropping -- for example, random early drop for quality of service support.

10.4.1.2 OCTETS

Counts the total number of octets (i.e. bytes) in **any frames** received.

10.4.1.3 BROADCASTPKTS

Counts the number of **good frames** received and forwarded with broadcast address.

Does not include non-broadcast multicast frames.

10.4.1.4 MULTICASTPKTS

Counts the number of **good frames** received and forwarded with multicast address.

Does not include broadcast frames.

10.4.1.5 CRCALIGNERRORS

Frame size: ≥ 64 bytes, < 1522 bytes if VLAN tag (1518 if no VLAN)

No collisions:

Counts number of frames received with FCS or alignment errors

10.4.1.6 UNDERSIZEPKTS

Counts number of frames received with size less than 64 bytes.

Frame size: < 64 bytes,

No FCS error

No framing error

No collisions

10.4.1.7 OVERSIZEPKTS

Counts number of frames received with size exceeding the maximum allowable frame size.

Frame size: > 1522 bytes if VLAN tag (1518 bytes if no VLAN)

FCS error don't care

Framing error don't care

No collisions

10.4.1.8 FRAGMENTS

Counts number of frames received with size less than 64 bytes and with bad FCS.

Frame size: < 64 bytes

Framing error don't care

No collisions

10.4.1.9 JABBERS

Counts number of frames received with size exceeding maximum frame size and with bad FCS.

Frame size:> 1522 bytes if VLAN tag (1518 bytes if no VLAN)

Framing error don't care

No collisions

10.4.1.10 COLLISIONS

Counts number of collision events detected.

Only a best estimate since collisions can only be detected while in transmit mode, but not while in receive mode.

Frame size: any size

10.4.1.11 PACKET COUNT FOR DIFFERENT SIZE GROUPS

Six different size groups - one counter for each:

Pkts64Octets for any packet with size = 64 bytes

Pkts65to127Octets for any packet with size from 65 bytes to 127 bytes

Pkts128to255Octets for any packet with size from 128 bytes to 255 bytes

Pkts256to511Octets for any packet with size from 256 bytes to 511 bytes

Pkts512to1023Octets for any packet with size from 512 bytes to 1023 bytes

Pkts1024to1518Octets for any packet with size from 1024 bytes to 1518 bytes

counts both good and bad packets.

Miscellaneous Counters

In addition to the statistics groups defined in previous sections, the MVTX2804 has other statistics counters for its own purposes. We have two counters for flow control - one counting the number of flow control frames received, and another counting the number of flow control frames sent. We also have two counters, one for unicast frames sent, and one for non-unicast frames sent. A broadcast or multicast frame qualifies as non-unicast. Furthermore, we have a counter called "frame send fail." This keeps track of FIFO under-runs, late collisions, and collisions that have occurred 16 times.

11.0 Register Definition

11.1 Register Description

Register Description Table

Register	Description	CPU Addr (Hex)	R/W	I ² C Addr (Hex)	Default	Notes
0. ETHERNET Port Control Registers - Substitute [N] with Port number (0..7)						
ECR1P"N"	Port Control Register 1 for Port N (N=0-7)	000 + 2N	R/W	000+2N	c0	
ECR2P"N"	Port Control Register 2 for Port N (N=0-7)	001 + 2N	R/W	001+2N	00	
ECRMISC1	Port Control Misc1	010	R/W	010	c0	
ECRMISC2	Port Control Misc 2	011	R/W	011	00	
GGCONTROL0	Extra Gigabit Port Control -port 0,1	012	R/W	N/A	00	
GGCONTROL1	Extra Gigabit Port Control -port 2,3	013	R/W	N/A	00	
GGCONTROL2	Extra Gigabit Port Control -port 4,5	014	R/W	N/A	00	
GGCONTROL3	Extra Gigabit Port Control -port 6,7	015	R/W	N/A	00	
ACTIVELINK	Active Link status port 7:0	016	R/W	N/A	00	
1. VLAN Control Registers - Substitute [N] with Port number (0..8)						
AVTCL	VLAN Type Code Register Low	100	R/W	012	00	
AVTCH	VLAN Type Code Register High	101	R/W	013	81	
PVMAP"N"_0	Port "N" Configuration Register 0 (N=0-8)	102 + 4N	R/W	014+4N	ff	
PVMAP"N"_1	Port "N" Configuration Register 1 (N=0-8)	103 + 4N	R/W	015+4N	ef	
PVMAP"N"_3	Port "N" Configuration Register 3 (N=0-8)	105 + 4N	R/W	017+4N	00	
PVMODE	VLAN Operating Mode	126	R/W	038	00	
2. TRUNK Control Registers						
TRUNK0	Trunk group 0 Member	200	R/W	NA	00	
TRUNK1	Trunk group 1 Member	201	R/W	NA	00	
TRUNK2	Trunk group 2 Member	202	R/W	NA	00	
TRUNK3	Trunk group 3 Member	203	R/W	NA	00	
SINGLE_RING	Single ring port map	204	R/W	NA		Reserved
TRUNK_RING	Trunk ring port map	205	R/W	NA		Reserved
TRUNK_HASH_MODE	Trunk hash mode	206	R/W	NA	00	
TRUNK0_MODE	Trunk Group 0 Mode	207	R/W	039	00	

Register Description Table (continued)

Register	Description	CPU Addr (Hex)	R/W	I ² C Addr (Hex)	Default	Notes
TRUNK0_HASH0	Trunk Group 0 Hash 0, 1, 2 Destination Port	208	R/W	NA	08	
TRUNK0_HASH1	Trunk Group 0 Hash 2, 3, 4, 5 Destination Port	209	R/W	NA	82	
TRUNK0_HASH2	Trunk Group 0 Hash 5, 6, 7 Destination Port	20A	R/W	NA	20	
TRUNK0_HASH3	Trunk Group 0 Hash 8, 9, 10 Destination Port	20B	R/W	NA	08	
TRUNK0_HASH4	Trunk Group 0 Hash 10, 11, 12, 13 Destination Port	20C	R/W	NA	82	
TRUNK0_HASH5	Trunk Group 0 Hash 13, 14, 15 Destination Port	20D	R/W	NA	20	
TRUNK1_MODE	Trunk Group 1 Mode	20E	R/W	03A	00	
TRUNK1_HASH0	Trunk Group 1 Hash 0, 1, 2 Destination Port	20F	R/W	NA	08	
TRUNK1_HASH1	Trunk Group 1 Hash 2, 3, 4, 5 Destination Port	210	R/W	NA	82	
TRUNK1_HASH2	Trunk Group 1 Hash 5, 6, 7 Destination Port	211	R/W	NA	20	
TRUNK1_HASH3	Trunk Group 1 Hash 8, 9, 10 Destination Port	212	R/W	NA	08	
TRUNK1_HASH4	Trunk Group 1 Hash 10, 11, 12, 13 Destination	213	R/W	NA	82	
TRUNK1_HASH5	Trunk Group 1 Hash 13, 14, 15 Destination	214	R/W	NA	20	
TRUNK2_HASH0	Trunk Group 2 Hash 0, 1, 2 Destination Port	215	R/W	NA	2c	
TRUNK2_HASH1	Trunk Group 2 Hash 2, 3, 4, 5 Destination Port	216	R/W	NA	cb	
TRUNK2_HASH2	Trunk Group 2 Hash 5, 6, 7 Destination Port	217	R/W	NA	b2	
TRUNK2_HASH3	Trunk Group 2 Hash 8, 9, 10 Destination Port	218	R/W	NA	2c	
TRUNK2_HASH4	Trunk Group 2 Hash 10, 11, 12, 13 Destination Port	219	R/W	NA	cb	
TRUNK2_HASH5	Trunk Group 2 Hash 13, 14, 15 Destination Port	21A	R/W	NA	b2	
TRUNK3_HASH0	Trunk Group 3 Hash 0, 1, 2 Destination Port	21B	R/W	NA	2c	
TRUNK3_HASH1	Trunk Group 3 Hash 2, 3, 4, 5 Destination Port	21C	R/W	NA	cb	
TRUNK3_HASH2	Trunk Group 3 Hash 5, 6, 7 Destination Port	21D	R/W	NA	b2	

Register Description Table (continued)

Register	Description	CPU Addr (Hex)	R/W	I ² C Addr (Hex)	Default	Notes
TRUNK3_HASH3	Trunk Group 3 Hash 8, 9, 10 Destination Port	21E	R/W	NA	2c	
TRUNK3_HASH4	Trunk Group 3 Hash 10, 11, 12, 13 Destination Port	21F	R/W	NA	Bc	
TRUNK3_HASH5	Trunk Group 3 Hash 13, 14, 15 Destination Port	220	R/W	NA	b2	
Multicast_HASH00	Multicast hash result 0 mask bit[7:0]	221	R/W	NA	ff	
Multicast_HASH01	Multicast hash result 1 mask bit[7:0]	222	R/W	NA	ff	
Multicast_HASH02	Multicast hash result 2 mask bit[7:0]	223	R/W	NA	ff	
Multicast_HASH03	Multicast hash result 3 mask bit[7:0]	224	R/W	NA	ff	
Multicast_HASH04	Multicast hash result 4 mask bit[7:0]	225	R/W	NA	ff	
Multicast_HASH05	Multicast hash result 5 mask bit[7:0]	226	R/W	NA	ff	
Multicast_HASH06	Multicast hash result 6 mask bit[7:0]	227	R/W	NA	ff	
Multicast_HASH07	Multicast hash result 7 mask bit[7:0]	228	R/W	NA	ff	
Multicast_HASH08	Multicast hash result 8 mask bit[7:0]	229	R/W	NA	ff	
Multicast_HASH09	Multicast hash result 9 mask bit[7:0]	22A	R/W	NA	fff	
Multicast_HASH10	Multicast hash result 10 mask bit[7:0]	22B	R/W	NA	ff	
Multicast_HASH11	Multicast hash result 11 mask bit[7:0]	22C	R/W	NA	ff	
Multicast_HASH12	Multicast hash result 12 mask bit[7:0]	22D	R/W	NA	ff	
Multicast_HASH13	Multicast hash result 13 mask bit[7:0]	22E	R/W	NA	ff	
Multicast_HASH14	Multicast hash result 14 mask bit[7:0]	22F	R/W	NA	ff	
Multicast_HASH15	Multicast hash result 15 mask bit[7:0]	230	R/W	NA	ff	
Multicast_HASHML	Multicast hash bit[8] for result 7-0	231	R/W	NA	ff	
Multicast_HASHMH	Multicast hash bit[8] for result 15-8	232	R/W	NA	ff	

Register Description Table (continued)

Register	Description	CPU Addr (Hex)	R/W	I ² C Addr (Hex)	Default	Notes
3. CPU Port Configuration						
MAC0	CPU MAC Address byte 0	300	R/W		NA	00
MAC1	CPU MAC Address byte 1	301	R/W	NA	00	
MAC2	CPU MAC Address byte 2	302	R/W	NA	00	
MAC3	CPU MAC Address byte 3	303	R/W	NA	00	
MAC4	CPU MAC Address byte 4	304	R/W	NA	00	
MAC5	CPU MAC Address byte 5	305	R/W	NA	00	
INT_MASK0	Interrupt Mask 0	306	R/W	NA	ff	
INT_MASK1	Interrupt Mask 1	307	R/W	NA	ff	
INT_MASK2	Interrupt Mask 2	308	R/W	NA	ff	
INT_MASK3	Interrupt Mask 3	309	R/W	NA	ff	
INT_STATUS0	Status of Masked Interrupt Register0	30A	RO	NA		
INT_STATUS1	Status of Masked Interrupt Register1	30B	RO	NA		
INTP_MASK"N"	Interrupt Mask for MAC Port 2n, 2n+1 (n=0-3)	30C-30F	R/W	NA	ff	
RQS	Receive Queue Select	310	R/W	NA	00	
RQSS	Receive Queue Status	311	RO	NA		
TX_AGE	Transmission Queue Aging Time	312	R/W	03B	08	
4. Search Engine Configurations						
AGETIME_LOW	MAC Address Aging Time Low	400	R/W	03C	2c	
AGETIME_HIGH	MAC Address Aging Time High	401	R/W	03D	00	
V_AGETIME	VLAN to Port Aging Time	402	R/W	NA	ff	
SE_OPMODE	Search Engine operation mode	403	R/W	NA	00	
SCAN	Scan Control Register	404	R/W	NA	00	
5. Buffer Control and QOS Control						
FCBAT	FCB Aging Timer	500	R/W	03E	ff	
QOSC	QOS Control	501	R/W	03F	00	
FCR	Flooding Control Register	502	R/W	040	08	
AVPML	VLAN Priority Map Low	503	R/W	041	88	
AVPMM	VLAN Priority Map Middle	504	R/W	042	c6	
AVPMH	VLAN Priority Map High	505	R/W	043	fa	
TOSPML	TOS Priority Map Low	506	R/W	044	88	
TOSPMM	TOS Priority Map Middle	507	R/W	045	c6	
TOSPMH	TOS Priority Map High	508	R/W	046	fa	
AVDM	VLAN Discard Map	509	R/W	047	00	
TOSDML	TOS Discard Map	50A	R/W	048	00	

Register Description Table (continued)

Register	Description	CPU Addr (Hex)	R/W	I ² C Addr (Hex)	Default	Notes
BMRC	Broadcast/Multicast Rate Control	50B	R/W	049	00	
UCC	Unicast Congestion Control	50C	R/W	04A	07	
MCC	Multicast Congestion Control	50D	R/W	04B	48	
PR100	Port Reservation for 10/100 Ports	50E	R/W	04C	00	
PRG	Port Reservation for Giga Ports	50F	R/W	04D	26	
SFCB	Share FCB Size	510	R/W	04E	37	
C2RS	Class 2 Reserved Size	511	R/W	04F	00	
C3RS	Class 3 Reserved Size	512	R/W	050	00	
C4RS	Class 4 Reserved Size	513	R/W	051	00	
C5RS	Class 5 Reserved Size	514	R/W	052	00	
C6RS	Class 6 Reserved Size	515	R/W	053	00	
C7RS	Class 7 Reserved Size	516	R/W	054	00	
QOSC"N"	QOS Control (N=0 - 2F)	517-546	R/W	055-084		
QOSC"N"	QOS Control (N=30 - 82)	547-599	R/W	NA		
RDRC0	WRED Rate Control 0	59A	R/W	085	8e	
RDRC1	WRED Rate Control 1	59B	R/W	086	68	
6. MISC Configuration Registers						
MII_OP0	MII Register Option 0	600	R/W	0B1	00	
MII_OP1	MII Register Option 1	601	R/W	0B2	00	
FEN	Feature Registers	602	R/W	0B3	10	
MIIC0	MII Command Register 0	603	R/W	N/A	00	
MIIC1	MII Command Register 1	604	R/W	N/A	00	
MIIC2	MII Command Register 2	605	R/W	N/A	00	
MIIC3	MII Command Register 3	606	R/W	N/A	00	
MIID0	MII Data Register 0	607	RO	N/A	00	
MIID1	MII Data Register 1	608	RO	N/A	00	
LED	LED Control Register	609	R/W	0B4	38	
CHECKSUM	EEPROM Checksum Register	60B	R/W	0C5	00	
LEDUSER0	LED User Define Register 0	60C	R/W	0BB	00	
LEDUSER1	LED User Define Register 1	60D	R/W	0BC	00	
LEDUSER2	LED User Define Reg. 2/LED_byte pin 2	60E	R/W	0BD	80	
LEDUSER3	LED User Define Reg. 3/LED_byte pin 3	60F	R/W	0BE	33	
LEDUSER4	LED User Define Reg. 4/LED_byte pin 4	610	R/W	0BF	32	
LEDUSER5	LED User Define Reg. 5/LED_byte pin 5	611	R/W	0C0	20	

Register Description Table (continued)

Register	Description	CPU Addr (Hex)	R/W	I ² C Addr (Hex)	Default	Notes
LEDUSER6	LED User Define Reg. 6/LED_byte pin 6	612	R/W	0C1	40	
LEDUSER7	LED User Define Reg. 7/LED_byte pin 1 & 0	613	R/W	0C2	61	
MIINP0	MII NEXT PAGE DATA REGISTER0	614	R/W	0C3	00	
MIINP1	MII NEXT PAGE DATA REGISTER1	615	R/W	0C4	00	
E. Test Group Control						
DTSRL	Test Register Low	E00	R/W	N/A	00	
DTSRM	Test Register Medium	E01	R/W	N/A	01	
DTSRH	Test Register High	E02	R/W	N/A	00	
TDRB0	TEST MUX read back register [7:0]	E03	RO	N/A		
TDRB1	TEST MUX read back register [15:8]	E04	RO	N/A		
DTCR	Test Counter Register	E05	R/W	N/A	00	
MASK0	MASK Timeout 0	E06	R/W	0B6	00	
MASK1	MASK Timeout 1	E07	R/W	0B7	00	
MASK2	MASK Timeout 2	E08	R/W	0B8	00	
MASK3	MASK Timeout 3	E09	R/W	0B9	00	
MASK4	MASK Timeout 4	E0A	R/W	0BA	00	
F. Device Configuration Register						
GCR	Global Control Register	F00	R/W	N/A	00	
DCR	Device Status and Signature Register	F01	RO	N/A		
DCR01	Gigabit Port0 Port1 Status Register	F02	RO	NA		
DCR23	Gigabit Port2 Port3 Status Register	F03	RO	NA		
DCR45	Gigabit Port4 Port5 Status Register	F04	RO	NA		
DCR67	Gigabit Port6 Port7 Status Register	F05	RO	NA		
DPST	Device Port Status Register	F06	R/W	N/A	00	
DTST	Data read back register	F07	RO	N/A		
PLLCR	PLL Control Register	F08	R/W	N/A		Reserved
LCLKCR	LCLK Control Register	F09	R/W	N/A		Reserved
BCLKCR	BCLK Control Register	F0A	R/W	N/A		Reserved

Register Description Table (continued)

Register	Description	CPU Addr (Hex)	R/W	I ² C Addr (Hex)	Default	Notes
BSTRRB0	BOOT STRAP read back register 0	F0B	RO	N/A		Reserved
BSTRRB1	BOOT STRAP read back register 1	F0C	RO	N/A		Reserved
BSTRRB2	BOOT STRAP read back register 2	F0D	RO	N/A		Reserved
BSTRRB3	BOOT STRAP read back register 3	F0E	RO	N/A		Reserved
BSTRRB4	BOOT STRAP read back register 4	F0F	RO	N/A		Reserved
BSTRRB5	BOOT STRAP read back register 5	F10	RO	N/A		Reserved
DA	DA Register	FFF	RO	N/A	DA	

Note 1: se = Search Engine

Note 2: fe = Frame Engine

Note 3: pgs = Port Group01, 23, 45, and 67

Note 4: mc = MAC Control

Note 5: tm = timer

11.2 Directly Accessed Registers

11.2.1 INDEX_REG0

- Address bits [7:0] for indirectly accessed register addresses
- Address = 0 (write only)

11.2.2 INDEX_REG1 (only needed for CPU 8-bit bus mode)

- Address bits [15:8] for indirectly accessed register addresses
- Address = 1 (write only)

11.2.3 DATA_FRAME_REG

- Data of indirectly accessed registers. (8 bits)
- Address = 2 (read/write)

11.2.4 CONTROL_FRAME_REG

- CPU transmit/receive switch frames. (8/16 bits)
 - Address = 3 (read/write)
 - Format: (see processor interface application note for more information)
- Send frame from CPU: (In sequence)

Frame Data (size should be in multiple of 8-byte)

8-byte of Frame status (Frame size, Destination port #, Frame O.K. status)

- CPU Received frame: (In sequence)

8-byte of Frame status (Frame size, Source port #, VLAN tag)

Frame Data

11.2.5 COMMAND & STATUS

- CPU interface commands (write) and status
- Address = 4 (read/write)
- When the CPU **reads** this register:
 - Bit [0]: Transmit Control Command 1 Ready; Must read true before CPU writes new Control Command 1.
 - Bit [1]: Receive Control Command 1 Ready; Must read true before CPU reads a new Control Command 1.
 - Bit [2]: Receive Control Command 2 Ready; Must read true before CPU reads a new Control Command 2.
 - Bit [3]: Receive CPU Frame Ready; Must read true before receiving a CPU frame and at every 8-byte boundary within a CPU frame.
 - Bit [4]: Transmit CPU Frame Ready; Must read true before transmitting a CPU frame and at every 16-byte boundary within a CPU frame.
 - Bit [5]: End of Receive CPU Frame to indicate that the last 8 bytes need to be read.
 - Bit [15:6]: Reserved.
- When the CPU **writes** to this register:
 - Bit [0]: End of Transmit Control Command indicator; Set after CPU writes a Control Command Frame into Rx buffer.
 - Bit [1]: End of Receive Control Command 1 indicator; Set after CPU reads out a Control Command 1 Frame from Tx buffer 1.
 - Bit [2]: End of Receive Control Command 2 indicator; Set after CPU reads out a Control Command 2 Frame from Tx buffer 2.
 - Bit [3]: End of Receive CPU Frame indicator. Set after CPU reads out a CPU frame or to flush out the rest of CPU frame.
 - Bit [4]: End of Transmit CPU Frame indicator. Set before writing the last byte of CPU frame.
 - Bit [7:5]: Reserved and always write 0's.
 - Bit [15:8]: Reserved and write 0's in 16-bit mode.

11.2.6 Interrupt Register

- Interrupt sources (8 bits)
- Address = 5 (read only)
- When CPU **reads** this register

Bit [0]: ·CPU frame interrupt

Bit [1]:·Control Frame 1 interrupt. Control Frame receive buffer1 has data for CPU to read

Bit [2]:·Control Frame 2 interrupt. Control Frame receive buffer2 has data for CPU to read

Bit [3]:·From any of the gigabit port interrupt

Bit [7:4]:·Reserve

Note: This register is not self-cleared. After reading CPU has to clear the bit writing 0 to it

11.2.7 Control Frame Buffer1 Access Register

- Address = 6 (read/write)
- When CPU writes to this register, data is written to the Control Command Frame Receive Buffer
- When CPU reads this register, data is read from the Control Command Frame Transmit Buffer1

11.2.8 Control Frame Buffer2 Access Register

- Address = 7 (read only)
- When CPU reads this register, data is read from the Control Command Frame transmit Buffer 2

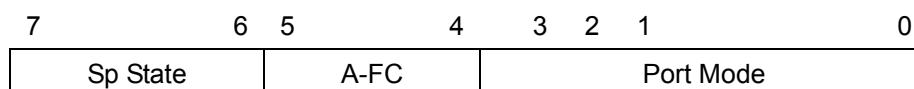
Indirectly Accessed Registers

11.3 Group 0 Address

11.3.1 MAC Ports Group

11.3.1.1 ECR1PN: PORT N CONTROL REGISTER

- I²C Address h00+2n; CPU Address:h000+2n (n=0 to 7)
- Accessed by CPU, serial interface and I²C (R/W)



Bit [4:0] • Port Mode (**Default 2'b00**)

- Bit [4:3]
- 00 - Automatic Enable Auto-Negotiation - This enables hardware state machine for auto-negotiation.
 - 01 - Limited Disable auto-Negotiation - This disables hardware auto-negotiation. Hardware only Polls MII for link status. Use bit [2:0] for config.
 - 10 - Link Down - Force link down (disable the port). Does not talk to PHY.
 - 11 - Link Up - Does not talk to PHY. User ERC1 [2:0] for config.

- Bit [2]
- 1 - 10Mbps (**Default 1'b0**)
 - 0 - 100Mbps

Bit 2 is used only when the port is in MII mode.

- Bit [1]
- 1 - Half Duplex (Do not use) (**Default 1'b0**)
 - 0 - Full Duplex

- Bit [0]
- 1 - Flow Control Off (**Default 1'b0**)
 - 0 - Flow Control On
 - When flow control is on:
 - In full duplex mode, the MAC transmitter sends Flow Control Frames when necessary. The MAC receiver interprets and processes incoming flow control frames. The Flow Control Frame Received counter is incremented whenever a flow control frame is received.
 - When flow control is off:
 - In full duplex mode, the MAC transmitter does not send flow control frames. The MAC receiver does not interpret or process the flow control frames. The Flow Control Frame Receiver counter is not incremented.

- Bit [5] • Asymmetric Flow Control Enable.
- 0 - Disable asymmetric flow control
 - 1 - Enable asymmetric flow control
- When this bit is set, and flow control is on (bit[0] = 0), don't send out a flow control frame. But MAC receiver interprets and process flow control frames. **(Default is 0)**
- Bit [7:6] • SS - Spanning tree state (802.1D spanning tree protocol). **(Default 2'b11)**
- 00 - Blocking: Frame is dropped
 - 01 - Listening: Frame is dropped
 - 10 - Learning: Frame is dropped. Source MAC address is learned.
 - 11 - Forwarding: Frame is forwarded. Source MAC address is learned.

11.3.1.2 ECR2PN: PORT N CONTROL REGISTER

- I²C Address: 01+2n; CPU Address:h001+2n (n=0to7)
- Accessed by CPU and serial interface (R/W):

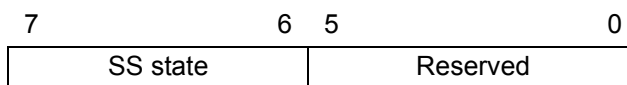
	7	6	5	3	2	1	0
	Security EN				DisL	Ftf	Futf

- Bit[0] • Filter untagged frame **(Default 0)**
- 0: Disable
 - 1: Enable - All untagged frames from this port are discarded or follow security option when security is enable
- Bit[1] • Filter Tag frame **(Default 0)**
- 0: Disable
 - 1: Enable - All tagged frames from this port are discarded or follow security option when security is enable
- Bit[2] • Learning Disable **(Default 0)**
- 0: Learning is enabled on this port
 - 1: Learning is disabled on this port
- Bit [5:3:] • Reserved
- Bit[7:6] • Security Enable (Default 00). The MVTX2804 checks the incoming data for one of the following conditions:
1. If the source MAC address of the incoming packet is in the MAC table and is defined as secure address but the ingress port is not the same as the port associated with the MAC address in the MAC table.
- A MAC address is defined as secure when its entry at MAC table has static status and bit 0 is set to 1. MAC address bit 0 (the first bit transmitted) indicates whether the address is unicast or multicast. As source addresses are always unicast bit 0 is not used (always 0). MVTX2804 uses this bit to define secure MAC addresses.
2. If the port is set as learning disable and the source MAC address of the incoming packet is not defined in the MAC address table.
 3. If the port is configured to filter untagged frames and an untagged frame arrives or if the port is configured to filter tagged frames and a tagged frame arrives.
- If one of these three conditions occurs, the packet will be handled according to one of the following specified options:

- CPU installed
 - 00 - Disable port security
 - 01 - Discard violating packets
 - 10 - Send packet to CPU and destination port
 - 11 - Send packet to CPU only
- CPU not installed
 - 00 - Disable port security
 - 01 - Enable port security. Port will be disabled when security violation is detected
 - 10 - N/A
 - 11 - N/A

11.3.1.3 ECRMISC1 - CPU PORT CONTROL REGISTER MISC1

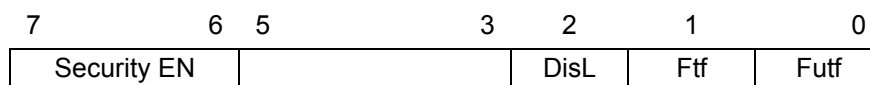
- I²C Address h10, CPU Address:h010
- Access by CPU, serial interface and I²C (R/W)



- Bit [5:0] • Reserved
- Bit [7:6] • SS - Spanning tree state (802.1D spanning tree protocol). **(Default 2'b11)**
- 00 - Blocking: Frame is dropped
 - 01 - Listening: Frame is dropped
 - 10 - Learning: Frame is dropped. Source MAC address is learned.
 - 11 - Forwarding: Frame is forwarded. Source MAC address is learned.

11.3.1.4 ECRMISC2 - CPU PORT CONTROL REGISTER MISC2

- (I²C Address h11, CPU Address:h011)
- Access by CPU, serial interface and I²C (R/W)



- Bit [0] • Filter untagged frame **(Default 0)**
- 0: Disable
 - 1: Enable - All untagged frames from the CPU are discarded or follow security option when security is enable Security does not make much sense for CPU!
- Bit[1] • Filter Tagged frame **(Default 0)**
- 0: Disable
 - 1: Enable - All tagged frames from the CPU are discarded or follow security option when security is enable Security does not make much sense for CPU!
- Bit[2] • Learning Disable **(Default 0)**
- 1 - Learning is disabled on this port
 - 0 - Learning is enabled on this port
- Bit [5:3] • Reserved **(Default 0)**
- Bit[7:6] • Security Enable **(Default 2'b00)**

- CPU installed
 - 00 - Disable port security
 - 01 - Discard violation packet
 - 10 - Send packet to CPU and port
 - 11 - Send packet to CPU only

11.3.1.5 GGCONTROL 0- EXTRA GIGA PORT CONTROL

- CPU Address:h012
- Accessed by CPU and serial interface (R/W)

7	6	5	4	3	2	1	0
		MII1	Rst1			MII0	Rst0

- Bit[0]:
- Reset GIGA port 0 **Default is 0**
 - 0: Normal operation
 - 1: Reset Gigabit port 0. Example: used when a new Why is connected (Hot swap)
- Bit[1]:
- GIGA port 0 use MII interface (10/100M) **Default is 0**
 - 0: Gigabit port operation at 1000M mode
 - 1: Gigabit port operation at 10/100M mode (MII)
- Bit[3:2]:
- Reserved - Must be '0'
- Bit[4]:
- Reset GIGA port 1 **Default is 0**
 - 0: Normal operation
 - 1: Reset Gigabit port 1. Example: used when a new Phy is connected (Hot swap)
- Bit[5]:
- GIGA port 1 use MII interface (10/100M) **Default is 0**
 - 0: Gigabit port operation at 1000M mode
 - 1: Gigabit port operation at 10/100M mode (MII)
- Bit[7:6]:
- Reserved - Must be '0'

11.3.1.6 GGCONTROL 1- EXTRA GIGA PORT CONTROL

- CPU Address:h013
- Accessed by CPU and serial interface (R/W)

7	6	5	4	3	2	1	0
		MII3	Rst3			MII2	Rst2

- Bit[0]:
- Reset GIGA port 2 **Default is 0**
 - 0: Normal operation
 - 1: Reset Gigabit port 2. Example: used when a new Phy is connected (Hot swap)
- Bit[1]:
- GIGA port 2 use MII interface (10/100M) **Default is 0**
 - 0: Gigabit port operation at 1000M mode
 - 1: Gigabit port operation at 10/100M mode (MII)
- Bit[3:2]:
- Reserved - must be '0'
- Bit[4]:
- Reset GIGA port 3 **Default is 0**
 - 0: Normal operation
 - 1: Reset Gigabit port 3. Example: used when a new Phy is connected (Hot swap)

- Bit[5]:
- GIGA port 3 use MII interface (10/100M) **Default is 0**
 - 0: Gigabit port operation at 1000M mode
 - 1: Gigabit port operation at 10/100M mode (MII)
- Bit[7:6]:
- Reserved - Must be '0'

11.3.1.7 GGCONTROL 2- EXTRA GIGA PORT CONTROL

- CPU Address:h014
- Accessed by CPU and serial interface (R/W)

7	6	5	4	3	2	1	0
		MII5	Rst5			MII4	Rst4

- Bit[0]:
- Reset GIGA port 4 **Default is 0**
 - 0: Normal operation
 - 1: Reset Gigabit port 4. Example: used when a new Phy is connected (Hot swap)
- Bit[1]:
- GIGA port 4 use MII interface (10/100M) **Default is 0**
 - 0: Gigabit port operation at 1000M mode
 - 1: Gigabit port operation at 10/100M mode (MII)
- Bit[3:2]:
- Reserved - Must be '0'
- Bit[4]:
- Reset GIGA port 5 **Default is 0**
 - 0: Normal operation
 - 1: Reset Gigabit port 5. Example: used when a new Phy is connected (Hot swap)
- Bit[5]
- GIGA port 5 use MII interface (10/100M) **Default is 0**
 - 0: Gigabit port operation at 1000M mode
 - 1: Gigabit port operation at 10/100M mode (MII)
- Bit[7:6]:
- Reserved - Must be '0'

11.3.1.8 GGCONTROL 3- EXTRA GIGA PORT CONTROL

- CPU Address:h015
- Accessed by CPU and serial interface (R/W)

7	6	5	4	3	2	1	0
		MII7	Rst7			MII6	Rst6

- Bit[0]:
- Reset GIGA port 6 **Default is 0**
 - 0: Normal operation
 - 1: Reset Gigabit port 6. Example: used when a new Phy is connected (Hot swap)
- Bit[1]:
- GIGA port 6 use MII interface (10/100M) **Default is 0**
 - 0: Gigabit port operation at 1000M mode
 - 1: Gigabit port operation at 10/100M mode (MII)
- Bit[3:2]:
- Reserved - Must be '0'
- Bit[4]:
- Reset GIGA port 7 **Default is 0**
 - 0: Normal operation
 - 1: Reset Gigabit port 7. Example: used when a new Phy is connected (Hot swap)

- Bit[5] • GIGA port 7 use MII interface (10/100M) **Default is 0**
- 0: Gigabit port operation at 1000M mode
 - 1: Gigabit port operation at 10/100M mode (MII)
- Bit[7:6]: • Reserved - Must be '0'

11.4 Group 1 Address

11.4.1 VLAN Group

11.4.1.1 AVTCL - VLAN TYPE CODE REGISTER LOW

- I²C Address h12; CPU Address:h100
- Accessed by CPU, serial interface and I²C (R/W)

Bit[7:0]:VLANType_LOW: Lower 8 bits of the VLAN type code (Default 00)

11.4.1.2 AVTCH - VLAN TYPE CODE REGISTER HIGH

- I²C Address h13; CPU Address:h101
- Accessed by CPU, serial interface and I²C (R/W)

Bit [7:0] VLANType_HIGH: Upper 8 bits of the VLAN type code (Default is 81)

11.4.1.3 PVMAP00_0 - PORT 00 CONFIGURATION REGISTER 0

- I²C Address h14, CPU Address:h102)
- Accessed by CPU, serial interface and I²C (R/W)

In Port Based VLAN Mode

This register indicates the legal egress ports. Example: A “1” on bit 7 means that packets arriving on port 0 can be sent to port 7. A “0” on bit 7 means that any packet destined to port 7 will be discarded.

Bit[7:0]: VLAN Mask for ports 7 to 0 (Default FF)
 0 - Disable
 1 - Enable

In Tag Based VLAN Mode

This is the default VLAN tag. It works with configuration register PVMAP00_1 [7:5] [3:0] to form the default VLAN tag. If the received packed is untagged, it receives the default VLAN tag. If the packet has a VLAN ID of 0, then PVID is used to replace the packet's VLAN.

Bit[7:0]: PVID [7:0] (Default is FF)

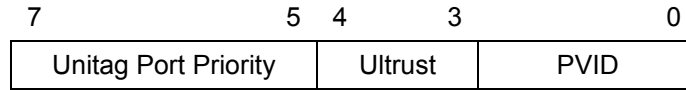
11.4.1.4 PVMAP00_1 - PORT 00 CONFIGURATION REGISTER 1

- I²C Address h15, CPU Address:h103
- Accessed by CPU, serial interface and I²C (R/W)

In Port Based VLAN Mode

Bit[7:0]: VLAN Mask for port 8 - CPU port (Default is FF)

In Tag Based VLAN Mode

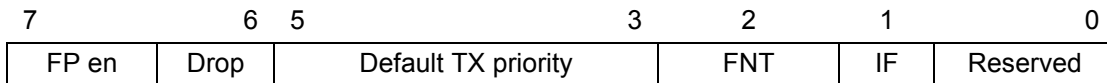


- Bit[3:0]:
- PVID [11:8] (Default is F)
- Bit [4]:
- Untrusted Port. (Default is 0)
- This register is used to change the VLAN priority field of a packet to a predetermined priority.
- 1: VLAN priority field is changed to Bit[7:5] at ingress port
 - 0: Keep VLAN priority field
- Bit [7:5]:
- Untag Port Priority (Default 7)

11.4.1.5 PVMAP00_3 - PORT 00 CONFIGURATION REGISTER 3

- I²C Address h17, CPU Address:h105
- Accessed by CPU, serial interface and I²C (R/W)

In Port Based Mode



- Bit [1:0]: Reserved (Default 0)
- Bit [2]: Force untagged out (Default 0)
- 0 Disable
 - 1 Force untag output
- All packets transmitted from this port are untagged. This register is used when this port is connected to legacy equipment that does not support VLAN tagging.
- Bit [5:3]: Fixed Transmit priority. Used when bit[7] = 1 (**Default 0**)
- 000 Transmit Priority Level 0 (Lowest)
 - 001 Transmit Priority Level 1
 - 010 Transmit Priority Level 2
 - 011 Transmit Priority Level 3
 - 100 Transmit Priority Level 4
 - 101 Transmit Priority Level 5
 - 110 Transmit Priority Level 6
 - 111 Transmit Priority Level 7 (Highest)
- Bit [6]: Fixed Discard priority (**Default 0**)
- 0 - Discard Priority Level 0 (Lowest)
 - 1 - Discard Priority Level 7(Highest)
- Bit [7]: Enable Fix Priority (**Default 0**)
- 0 Disable fix priority. All frames are analyzed. Transmit Priority and Drop Priority are based on VLAN Tag or TOS.
 - 1 Transmit Priority and Discard Priority are based on values programmed in bit [6:3]

In Tag based VLAN Mode

Bit [1]: Ingress filter enable (**Default 1**)

- 0 Disable - Ingress filter. Packets with VLAN not belonging to source port are forwarded if destination port belongs to the VLAN. Symmetric VLAN.
- Enable - Packets are discarded when source port is not a VLAN member. Asymmetric VLAN.

Bit [2]: Force untagged out (**Default 1**).

- 0 Disable
- 1 Force untagged output.

All packets transmitted from this port are untagged. This register is used when this port is connected to legacy equipment that does not support VLAN tagging.

Bit [5:3]: Fixed Transmit priority (**Default 0**) Used When Bit [7] = 1

- 000 Transmit Priority Level 0 (Lowest)
- 001 Transmit Priority Level 1
- 010 Transmit Priority Level 2
- 011 Transmit Priority Level 3
- 100 Transmit Priority Level 4
- 101 Transmit Priority Level 5
- 110 Transmit Priority Level 6
- 111 Transmit Priority Level 7 (Highest)

Bit [6]: Fixed Discard priority (**Default 0**) Used When Bit [7] = 1

- 0 - Discard Priority Level 0 (Lowest)
- 1 Discard Priority Level 1 (Highest)

Bit [7]: Enable Fix Priority (**Default 0**)

- 0 Disable fix priority. All frames are analyzed. Transmit Priority and Drop Priority are based on VLAN Tag or TOS.
- 1 Transmit Priority and Discard Priority are based on values programmed in bit [6:3]

11.5 Port VLAN Map

PVMAP00_0,1,3 I²C Address h14,15,17; CPU Address:h102,103,105)

PVMAP01_0,1,3 I²C Address h18,19,1B; CPU Address:h106,107,109)

PVMAP02_0,1,3 I²C Address h1C,1D,1F; CPU Address:h10A, 10B,10D)

PVMAP03_0,1,3 I²C Address h20,21,23; CPU Address:h10E, 10F,111)

PVMAP04_0,1,3 I²C Address h24,25,27; CPU Address:h112, 113,115)

PVMAP05_0,1,3 I²C Address h28,29,2B; CPU Address:h116, 117,119)

PVMAP06_0,1,3 I²C Address h2C,2D,2F; CPU Address:h11A, 11B,11D)

PVMAP07_0,1,3 I²C Address h30,31,33; CPU Address:h11E, 11F,121)

11.5.1 PVMODE

- I²C Address: h038, CPU Address:h126
- Accessed by CPU, serial interface (R/W)

7	6	5	4	3	1	0
RO	MP	BPDU	DM	Reserved	Vmod	

- Bit [0]:
- VLAN Mode (vlan_enable) **(Default = 0)**
 - 1: Tag Based VLAN Mode
 - 0: Port Based VLAN Mode
- Bit [4]:
- Disable MAC address 0
 - 0: MAC address 0 is not leaned.
 - 1: MAC address 0 is leaned.
- Bit [5]:
- Force BPDU as multicast frame **(Default 0)**
 - 1: Enable.
 - 0: Disable. BPDU packet is forwarded to CPU.
- Bit [6]:
- MAC/PORT
 - 0: Single MAC address per system
 - 1: Single MAC address per port
- Bit [7]:
- Routing option (force frame as switched frame)
 - 1: Routing Frame to CPU is independent of ingress port spanning tree state
 - 0: Routing Frame to CPU is dependent of ingress port spanning tree state

11.6 Group 2 Address

11.6.1 Port Trunking Group

11.6.1.1 TRUNK0 - TRUNK GROUP 0 MEMBER (MANAGED MODE ONLY)

- CPU Address:h200
- Accessed by CPU, serial interface (R/W)
- Bit [7:0] Port7-0 bit map of trunk 0. **(Default 00)**
- TRUNK0 provides a bitmap for trunk0 membership. Example: To trunk ports 0 and 2 in trunk group 0, bits 0 and 2 of TRUNK0 must be set to 1. All others must be cleared to “0” to indicate that they are not members of the trunk 0.

11.6.1.2 TRUNK1 - TRUNK GROUP 1 MEMBER (MANAGED MODE ONLY)

- CPU Address:h201
- Accessed by CPU, serial interface (R/W)
- Bit [7:0] Port7-0 bit map of trunk 1. **(Default 00)**

11.6.1.3 TRUNK2- TRUNK GROUP 2 MEMBER (MANAGED MODE ONLY)

- CPU Address:h202
- Accessed by CPU, serial interface (R/W)
- Bit [7:0] Port7-0 bit map of trunk 2. **(Default 00)**

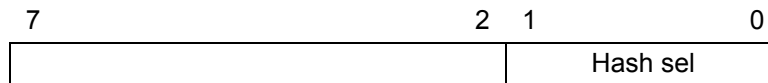
11.6.1.4 TRUNK3- TRUNK GROUP 3 MEMBER (MANAGED MODE ONLY)

- CPU Address:h203
- Accessed by CPU, serial interface (R/W)
- Bit [7:0] Port7-0 bit map of trunk 3. **(Default 00)**

11.6.1.5 TRUNK_HASH_MODE - TRUNK HASH MODE

- CPU Address:h206
- Accessed by CPU, serial interface (R/W)

Hash Select. The hash selected is valid for Trunk 0, 1, 2 and 3.

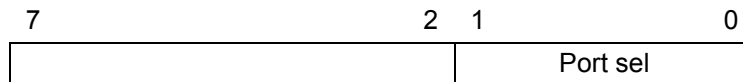


- Bit [1:0] • (Default 2'b00)
- 00 - Use Source and Destination Mac address for hashing.
 - 01 - Use Source Mac Address for hashing.
 - 10 - Use Destination Mac Address for hashing.
 - 11 - Not Used.

11.6.1.6 TRUNK0_MODE - TRUNK GROUP 0 MODE (UNMANAGED MODE)

- I²C Address: h039, CPU Address:h207
- Accessed by serial interface and I²C (R/W)

Port Selection in unmanaged mode. Trunk group 0 and trunk group 1 are enable accordingly to bits [1:0] when input pin P_D[9] = 0 (external pull down).



- Bit [1:0] • Port member selection for Trunk 0 and 1 in unmanaged mode (Default 2'b00)
- 00 - Only trunk group 0 is enable. Port 0 and 1 are used for trunk group0
 - 01 - Only trunk group 0 is enable. Port 0,1 and 2 are used for trunk group0
 - 10 - Only trunk group 0 is enable. Port 0,1,2 and 3 are used for trunk group0
 - 11 - Trunk group 0 and 1 are enable. Port 0, 1 are used for trunk group0, and port 2 and 3 are used for trunk group1

TRUNK HASH

- Trunk group 0 achieve load balance by TRUNK0_HASH0 to 5. (only in managed mode)
- Trunk group 1 achieve load balance by TRUNK1_HASH0 to 5. (only in managed mode)
- Trunk group 2 achieve load balance by TRUNK2_HASH0 to 5. (only in managed mode)
- Trunk group 3 achieve load balance by TRUNK3_HASH0 to 5. (only in managed mode)

11.6.1.7 TRUNK0_HASH0 - TRUNK GROUP 0 HASH RESULT 0,1,2 DESTINATION PORT NUMBER

- CPU Address:h208
 - Accessed by CPU, serial interface (R/W)
- Bit [2:0]: • Hash result 0 destination port number[2:0] (**Default 000**)
- Bit [5:3] • Hash result 1 destination port number[2:0] (**Default 001**)
- Bit [7:6] • Hash result 2 destination port number[1:0] (**Default 00**)

11.6.1.8 TRUNK0_HASH1 - TRUNK GROUP 0 HASH RESULT 2,3,4,5 DESTINATION PORT NUMBER

- CPU Address:h209
 - Accessed by CPU, serial interface (R/W)
- Bit [0]: • Hash result 2 destination port number[2] (**Default 0**)
- Bit [3:1]: • Hash result 3 destination port number[2:0] (**Default 001**)
- Bit [6:4]: • Hash result 4 destination port number[2:0] (**Default 000**)
- Bit [7]: • Hash result 5 destination port number[0] (**Default 1**)

11.6.1.9 TRUNK0_HASH2 - TRUNK GROUP 0 HASH RESULT 5,6,7 DESTINATION PORT NUMBER

- CPU Address:h20A
 - Accessed by CPU, serial interface (R/W)
- Bit [1:0]: • Hash result 5 destination port number[2:1] (**Default 00**)
- Bit [4:2] • Hash result 6 destination port number[2:0] (**Default 000**)
- Bit [7:5] • Hash result 7 destination port number[2:0] (**Default 001**)

11.6.1.10 TRUNK0_HASH3 - TRUNK GROUP 0 HASH RESULT 8,9,10 DESTINATION PORT NUMBER

- CPU Address:h20B
 - Accessed by CPU, serial interface (R/W)
- Bit [2:0]: • Hash result 8 destination port number[2:0] (**Default 000**)
- Bit [5:3] • Hash result 9 destination port number[2:0] (**Default 001**)
- Bit [7:6] • Hash result 10 destination port number[1:0] (**Default 00**)

11.6.1.11 TRUNK0_HASH4 - TRUNK GROUP 0 HASH RESULT 10,11,12,13 DESTINATION PORT NUMBER

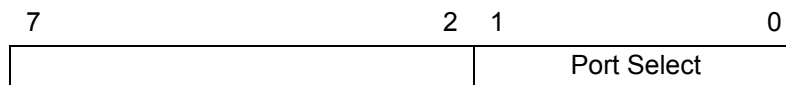
- CPU Address:h20C
 - Accessed by CPU, serial interface (R/W)
- Bit [0]: • Hash result 10 destination port number[2] (**Default 0**)
- Bit [3:1] • Hash result 11 destination port number[2:0] (**Default 001**)
- Bit [6:4] • Hash result 12 destination port number[2:0] (**Default 000**)
- Bit [7] • Hash result 13 destination port number[2:0] (**Default 1**)

11.6.1.12 TRUNK0_HASH5 - TRUNK GROUP 0 HASH RESULT 13,14,15 DESTINATION PORT NUMBER

- CPU Address:h20D
 - Accessed by CPU, serial interface (R/W)
- Bit [1:0]: Hash result 13 destination port number[2:1] (**Default 00**)
- Bit [4:2] Hash result 14 destination port number[2:0] (**Default 000**)
- Bit [7:5] Hash result 15 destination port number[2:0] (**Default 001**)

11.6.1.13 TRUNK1_MODE - TRUNK GROUP 1 MODE (UNMANAGED MODE)

- I²C Address h03A; CPU Address:20E
- Accessed by CPU, serial interface and I²C (R/W)
- Port Selection in unmanaged mode. Trunk group 2 and trunk group 3 are enable accordingly to bits [1:0] when input pin P_D[10] = 0.



- Bit [1:0]:
- Port member selection for Trunk 2 and 3 in unmanaged mode
 - 00 - Only trunk group 2 is enable. Port 4 and 5 are used for trunk group 2
 - 01 - Only trunk group 2 is enable. Port 4, 5 and 6 are used for trunk group 2
 - 10 - Only trunk group 2 is enable. Port 4, 5, 6 and 7 are used for trunk group 2
 - 11 - Trunk group 2 and trunk group 3 are enable. Port 4 and 5 are used for trunk group 2, and port 6 and 7 are used for trunk group 3

11.6.1.14 TRUNK1_HASH0 - TRUNK GROUP 1 HASH RESULT 0, 1, 2 DESTINATION PORT NUMBER

- CPU Address:h20F
 - Accessed by CPU, serial interface (R/W)
- Bit [2:0]: Hash result 0 destination port number[2:0] (**Default 000**)
- Bit [7:6] Hash result 2 destination port number[1:0] (**Default 00**)
- Bit [5:3] Hash result 1 destination port number[2:0] (**Default 001**)

11.6.1.15 TRUNK1_HASH1 - TRUNK GROUP 1 HASH RESULT 2, 3, 4, 5 DESTINATION PORT NUMBER

- CPU Address:h210
 - Accessed by CPU, serial interface (R/W)
- Bit [0]: Hash result 2 destination port number[2] (**Default 0**)
- Bit [3:1] Hash result 3 destination port number[2:0] (**Default 001**)
- Bit [6:4] Hash result 4 destination port number[2:0] (**Default 000**)
- Bit [7] Hash result 5 destination port number[0] (**Default 1**)

11.6.1.16 TRUNK1_HASH2 - TRUNK GROUP 1 HASH RESULT 5, 6, 7 DESTINATION PORT NUMBER

- CPU Address:h211
- Accessed by CPU, serial interface (R/W)
- Bit [1:0]: • Hash result 5 destination port number[2:1] (**Default 00**)
- Bit [4:2] • Hash result 6 destination port number[2:0] (**Default 000**)
- Bit [7:5] • Hash result 7 destination port number[2:0] (**Default 001**)

11.6.1.17 TRUNK1_HASH3 - TRUNK GROUP 1 HASH RESULT 8, 9, 10 DESTINATION PORT NUMBER

- CPU Address:h212
- Accessed by CPU, serial interface (R/W)
- Bit [2:0] • Hash result 8 destination port number[2:0] (**Default 000**)
- Bit [5:3] • Hash result 9 destination port number[2:0] (**Default 001**)
- Bit [7:6] • Hash result 10 destination port number[1:0] (**Default 00**)

11.6.1.18 TRUNK1_HASH4- TRUNK GROUP 1 HASH RESULT 11, 12, 13 DESTINATION PORT NUMBER

- CPU Address:h213
- Accessed by CPU, serial interface (R/W)
- Bit [0]: • Hash result 10 destination port number[2] (**Default 0**)
- Bit [3:1] • Hash result 11 destination port number[2:0] (**Default 001**)
- Bit [6:4] • Hash result 12 destination port number[2:0] (**Default (000)**)
- Bit [7] • Hash result 13 destination port number[0] (**Default (1)**)

11.6.1.19 TRUNK1_HASH5 - TRUNK GROUP 1 HASH RESULT 13, 14, 15 DESTINATION PORT NUMBER

- CPU Address:h214
- Accessed by CPU, serial interface (R/W)
- Bit [1:0]: • Hash result 13 destination port number[2:1] (**Default 00**)
- Bit [4:2] • Hash result 14 destination port number[2:0] (**Default 000**)
- Bit [7:5] • Hash result 15 destination port number[2:0] (**Default 001**)

11.6.1.20 TRUNK2_HASH0 - TRUNK GROUP 2 HASH RESULT 0, 1, 2 DESTINATION PORT NUMBER

- CPU Address:h215
- Accessed by CPU, serial interface (R/W)
- Bit [2:0]: • Hash result 0 destination port number[2:0] (**Default 100**)
- Bit [5:3] • Hash result 1 destination port number[2:0] (**Default 101**)
- Bit [7:6] • Hash result 2 destination port number[1:0] (**Default 00**)

11.6.1.21 TRUNK2_HASH1 - TRUNK GROUP 2 HASH RESULT 2, 3, 4, 5 DESTINATION PORT NUMBER

- CPU Address:h216
- Accessed by CPU, serial interface (R/W)
- Bit [0]: • Hash result 2 destination port number[2] (**Default 1**)
- Bit [3:1] • Hash result 3 destination port number[2:0] (**Default 101**)
- Bit [6:4] • Hash result 4 destination port number[2:0] (**Default 100**)
- Bit [7] • Hash result 5 destination port number[0] (**Default 1**)

11.6.1.22 TRUNK2_HASH2 - TRUNK GROUP 2 HASH RESULT 5, 6, 7 DESTINATION PORT NUMBER

- CPU Address:h217
- Accessed by CPU, serial interface (R/W)
- Bit [1:0]: • Hash result 5 destination port number[2:1] (**Default 10**)
- Bit [4:2] • Hash result 6 destination port number[2:0] (**Default 100**)
- Bit [7:5] • Hash result 7 destination port number[2:0] (**Default 101**)

11.6.1.23 TRUNK2_HASH3 - TRUNK GROUP 2 HASH RESULT 8, 9, 10 DESTINATION PORT NUMBER

- CPU Address:h218
- Accessed by CPU, serial interface (R/W)
- Bit [2:0]: • Hash result 8 destination port number[2:0] (**Default 000**)
- Bit [5:3] • Hash result 9 destination port number[2:0] (**Default 001**)
- Bit [7:6] • Hash result 10 destination port number[1:0] (**Default 00**)

11.6.1.24 TRUNK0_HASH3 - TRUNK GROUP 0 HASH RESULT 8,9,10 DESTINATION PORT NUMBER

- CPU Address:h20B
- Accessed by CPU, serial interface (R/W)
- Bit [2:0]: • Hash result 8 destination port number[2:0] (**Default 000**)
- Bit [5:3] • Hash result 9 destination port number[2:0] (**Default 001**)
- Bit [7:6] • Hash result 10 destination port number[1:0] (**Default 00**)

11.6.1.25 TRUNK0_HASH4 - TRUNK GROUP 0 HASH RESULT 10,11,12,13 DESTINATION PORT NUMBER

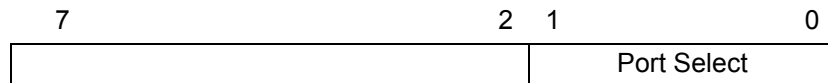
- CPU Address:h20C
- Accessed by CPU, serial interface (R/W)
- Bit [0]: • Hash result 10 destination port number[2] (**Default 0**)
- Bit [3:1] • Hash result 11 destination port number[2:0] (**Default 001**)
- Bit [6:4] • Hash result 12 destination port number[2:0] (**Default (000)**)
- Bit [7] • Hash result 13 destination port number[2:0] (**Default (1)**)

11.6.1.26 TRUNK0_HASH5 - TRUNK GROUP 0 HASH RESULT 13,14,15 DESTINATION PORT NUMBER

- CPU Address:h20D
 - Accessed by CPU, serial interface (R/W)
- Bit [1:0]: Hash result 13 destination port number[2:1] (**Default 00**)
- Bit [4:2] Hash result 14 destination port number[2:0] (**Default 000**)
- Bit [7:5] Hash result 15 destination port number[2:0] (**Default 001**)

11.6.1.27 TRUNK1_MODE - TRUNK GROUP 1 MODE (UNMANAGED MODE)

- I²C Address h03A; CPU Address:20E
- Accessed by CPU, serial interface and I²C (R/W)
- Port Selection in unmanaged mode. Trunk group 2 and trunk group 3 are enable accordingly to bits [1:0] when input pin P_D[10] = 0.



- Bit [1:0]:
- Port member selection for Trunk 2 and 3 in unmanaged mode
 - 00 - Only trunk group 2 is enable. Port 4 and 5 are used for trunk group 2
 - 01 - Only trunk group 2 is enable. Port 4, 5 and 6 are used for trunk group 2
 - 10 - Only trunk group 2 is enable. Port 4, 5, 6 and 7 are used for trunk group 2
 - 11 - Trunk group 2 and trunk group 3 are enable. Port 4 and 5 are used for trunk group 2, and port 6 and 7 are used for trunk group 3

11.6.1.28 TRUNK1_HASH0 - TRUNK GROUP 1 HASH RESULT 0, 1, 2 DESTINATION PORT NUMBER

- CPU Address:h20F
 - Accessed by CPU, serial interface (R/W)
- Bit [2:0]: Hash result 0 destination port number[2:0] (**Default 000**)
- Bit [7:6] Hash result 2 destination port number[1:0] (**Default 00**)
- Bit [5:3] Hash result 1 destination port number[2:0] (**Default 001**)

11.6.1.29 TRUNK1_HASH1 - TRUNK GROUP 1 HASH RESULT 2, 3, 4, 5 DESTINATION PORT NUMBER

- CPU Address:h210
 - Accessed by CPU, serial interface (R/W)
- Bit [0]: Hash result 2 destination port number[2] (**Default 0**)
- Bit [3:1] Hash result 3 destination port number[2:0] (**Default 001**)
- Bit [6:4] Hash result 4 destination port number[2:0] (**Default 000**)
- Bit [7] Hash result 5 destination port number[0] (**Default 1**)

11.6.1.30 TRUNK1_HASH2 - TRUNK GROUP 1 HASH RESULT 5, 6, 7 DESTINATION PORT NUMBER

- CPU Address:h211
- Accessed by CPU, serial interface (R/W)
- Bit [1:0]: • Hash result 5 destination port number[2:1] (**Default 00**)
- Bit [4:2] • Hash result 6 destination port number[2:0] (**Default 000**)
- Bit [7:5] • Hash result 7 destination port number[2:0] (**Default 001**)

11.6.1.31 TRUNK1_HASH3 - TRUNK GROUP 1 HASH RESULT 8, 9, 10 DESTINATION PORT NUMBER

- CPU Address:h212
- Accessed by CPU, serial interface (R/W)
- Bit [2:0] • Hash result 8 destination port number[2:0] (**Default 000**)
- Bit [5:3] • Hash result 9 destination port number[2:0] (**Default 001**)
- Bit [7:6] • Hash result 10 destination port number[1:0] (**Default 00**)

11.6.1.32 TRUNK1_HASH4- TRUNK GROUP 1 HASH RESULT 11, 12, 13 DESTINATION PORT NUMBER

- CPU Address:h213
- Accessed by CPU, serial interface (R/W)
- Bit [0]: • Hash result 10 destination port number[2] (**Default 0**)
- Bit [3:1] • Hash result 11 destination port number[2:0] (**Default 001**)
- Bit [6:4] • Hash result 12 destination port number[2:0] (**Default 000**)
- Bit [7] • Hash result 13 destination port number[0] (**Default 1**)

11.6.1.33 TRUNK1_HASH5 - TRUNK GROUP 1 HASH RESULT 13, 14, 15 DESTINATION PORT NUMBER

- CPU Address:h214
- Accessed by CPU, serial interface (R/W)
- Bit [1:0]: • Hash result 13 destination port number[2:1] (**Default 00**)
- Bit [4:2] • Hash result 14 destination port number[2:0] (**Default 000**)
- Bit [7:5] • Hash result 15 destination port number[2:0] (**Default 001**)

11.6.1.34 TRUNK2_HASH0 - TRUNK GROUP 2 HASH RESULT 0, 1, 2 DESTINATION PORT NUMBER

- CPU Address:h215
- Accessed by CPU, serial interface (R/W)
- Bit [2:0]: • Hash result 0 destination port number[2:0] (**Default 100**)
- Bit [5:3] • Hash result 1 destination port number[2:0] (**Default 101**)
- Bit [7:6] • Hash result 2 destination port number[1:0] (**Default 00**)

11.6.1.35 TRUNK2_HASH1 - TRUNK GROUP 2 HASH RESULT 2, 3, 4, 5 DESTINATION PORT NUMBER

- CPU Address:h216
- Accessed by CPU, serial interface (R/W)
- Bit [0]: • Hash result 2 destination port number[2] (**Default 1**)
- Bit [3:1] • Hash result 3 destination port number[2:0] (**Default 101**)
- Bit [6:4] • Hash result 4 destination port number[2:0] (**Default 100**)
- Bit [7] • Hash result 5 destination port number[0] (**Default 1**)

11.6.1.36 TRUNK2_HASH2 - TRUNK GROUP 2 HASH RESULT 5, 6, 7 DESTINATION PORT NUMBER

- CPU Address:h217
- Accessed by CPU, serial interface (R/W)
- Bit [1:0]: • Hash result 5 destination port number[2:1] (**Default 10**)
- Bit [4:2] • Hash result 6 destination port number[2:0] (**Default 100**)
- Bit [7:5] • Hash result 7 destination port number[2:0] (**Default 101**)

11.6.1.37 TRUNK2_HASH3 - TRUNK GROUP 2 HASH RESULT 8, 9, 10 DESTINATION PORT NUMBER

- CPU Address:h218
- Accessed by CPU, serial interface (R/W)
- Bit [2:0]: • Hash result 8 destination port number[2:0] (**Default 000**)
- Bit [5:3] • Hash result 9 destination port number[2:0] (**Default 001**)
- Bit [7:6] • Hash result 10 destination port number[1:0] (**Default 00**)

11.6.1.38 TRUNK2_HASH4 - TRUNK GROUP 2 HASH RESULT 10, 11, 12, 13 DESTINATION PORT NUMBER

- CPU Address:h219
- Accessed by CPU, serial interface (R/W)
- Bit [0]: • Hash result 10 destination port number[2] (**Default 1**)
- Bit [3:1] • Hash result 11 destination port number[2:0] (**Default 101**)
- Bit [6:4] • Hash result 12 destination port number[2:0] (**Default 1000**)
- Bit [7] • Hash result 13 destination port number[2:0] (**Default (1)**)

11.6.1.39 TRUNK2_HASH5 - TRUNK GROUP 2 HASH RESULT 13, 14, 15 DESTINATION PORT NUMBER

- CPU Address:h21A
- Accessed by CPU, serial interface (R/W)
- Bit [1:0]: • Hash result 13 destination port number[2:1] (**Default 10**)
- Bit [4:2] • Hash result 14 destination port number[2:0] (**Default 100**)
- Bit [7:5] • Hash result 15 destination port number[2:0] (**Default 101**)

11.6.1.40 TRUNK3_HASH0 - TRUNK GROUP 3 HASH RESULT 0, 1, 2 DESTINATION PORT NUMBER

- CPU Address:h21B
- Accessed by CPU, serial interface (R/W)
- Bit [2:0]: • Hash result 0 destination port number[2:0] (**Default 100**)
- Bit [5:3] • Hash result 1 destination port number[2:0] (**Default 101**)
- Bit [7:6] • Hash result 2 destination port number[1:0] (**Default 00**)

11.6.1.41 TRUNK3_HASH1 - TRUNK GROUP 3 HASH RESULT 2, 3, 4, 5 DESTINATION PORT NUMBER

- CPU Address:h21C
- Accessed by CPU, serial interface (R/W)
- Bit [0]: • Hash result 2 destination port number[2] (**Default 1**)
- Bit [3:1] • Hash result 3 destination port number[2:0] (**Default 101**)
- Bit [6:4] • Hash result 4 destination port number[2:0] (**Default 100**)
- Bit [7] • Hash result 5 destination port number[0] (**Default 1**)

11.6.1.42 TRUNK3_HASH2 - TRUNK GROUP 3 HASH RESULT 5, 6, 7 DESTINATION PORT NUMBER

- CPU Address:h21D
- Accessed by CPU, serial interface (R/W)
- Bit [1:0]: • Hash result 5 destination port number[2:1] (**Default 10**)
- Bit [4:2] • Hash result 6 destination port number[2:0] (**Default 100**)
- Bit [7:5] • Hash result 7 destination port number[2:0] (**Default 101**)

11.6.1.43 TRUNK3_HASH3 - TRUNK GROUP 3 HASH RESULT 8, 9, 10 DESTINATION PORT NUMBER

- CPU Address:h21E
- Accessed by CPU, serial interface (R/W)
- Bit [2:0]: • Hash result 8 destination port number[2:0] (**Default 100**)
- Bit [5:3] • Hash result 9 destination port number[2:0] (**Default 101**)
- Bit [7:6] • Hash result 10 destination port number[1:0] (**Default 00**)

11.6.1.44 TRUNK3_HASH4 - TRUNK GROUP 3 HASH RESULT 10, 11, 12, 13 DESTINATION PORT NUMBER

- CPU Address:h21F
- Accessed by CPU, serial interface (R/W)
- Bit [0]: • Hash result 10 destination port number[2] (**Default 1**)
- Bit [3:1] • Hash result 11 destination port number[2:0] (**Default 101**)
- Bit [6:4] • Hash result 12 destination port number[2:0] (**Default (100)**)
- Bit [7] • Hash result 13 destination port number[2:0] (**Default (1)**)

11.6.1.45 TRUNK3_HASH5 - TRUNK GROUP 3 HASH RESULT 13, 14, 15 DESTINATION PORT NUMBER

- CPU Address:h220
- Accessed by CPU, serial interface (R/W)
- Bit [1:0]: • Hash result 13 destination port number[2:1] (**Default 10**)
- Bit [4:2] • Hash result 14 destination port number[2:0] (**Default 100**)
- Bit [7:5] • Hash result 15 destination port number[2:0] (**Default 101**)

11.6.2 Multicast Hash Registers

Multicast Hash registers are used to distribute multicast traffic. 16 + 2 registers are used to form a 16-entry array; each entry has 9 bits, with each bit representing one port. Any port not belonging to a trunk group should be programmed with 1. Ports belonging to the same trunk group should only have a single port set to “1” per entry. The port set to “1” is picked to transmit the multicast frame when the hash value is met.

Bit	8	7	6	5	4	3	2	1	0
Hash Result = 0									
Hash Result = 1									
Hash Result = 2									
...									
Hash Result = 13									
Hash Result = 14									
Hash Result = 15									
	CPU Port	Port 7	Port 6	Port 5	Port 4	Port 3	Port 2	Port 1	Port 0

11.6.2.1 MULTICAST_HASH00 - MULTICAST HASH RESULT0 MASK BYTE [7:0]

- CPU Address:h221
- Accessed by CPU, serial interface (R/W)
- Bit [7:0] (Default FF)

11.6.2.2 MULTICAST_HASH01 - MULTICAST HASH RESULT1 MASK BYTE [7:0]

- CPU Address:h222
- Accessed by CPU, serial interface (R/W)
- Bit [7:0] (Default FF)

11.6.2.3 MULTICAST_HASH02 - MULTICAST HASH RESULT2 MASK BYTE [7:0]

- CPU Address:h223
- Accessed by CPU, serial interface (R/W)
- Bit [7:0] (Default FF)

11.6.2.4 MULTICAST_HASH03 - MULTICAST HASH RESULT3 MASK BYTE [7:0]

- CPU Address:h224
- Accessed by CPU, serial interface (R/W)
- Bit [7:0] (Default FF)

11.6.2.5 MULTICAST_HASH04 - MULTICAST HASH RESULT4 MASK BYTE [7:0]

- CPU Address:h225
- Accessed by CPU, serial interface (R/W)
- Bit [7:0] (Default FF)

11.6.2.6 MULTICAST_HASH05 - MULTICAST HASH RESULT5 MASK BYTE [7:0]

- CPU Address:h226
- Accessed by CPU, serial interface (R/W)
- Bit [7:0] (Default FF)

11.6.2.7 MULTICAST_HASH06 - MULTICAST HASH RESULT6 MASK BYTE [7:0]

- CPU Address:h227
- Accessed by CPU, serial interface (R/W)
- Bit [7:0] (Default FF)

11.6.2.8 MULTICAST_HASH07 - MULTICAST HASH RESULT7 MASK BYTE [7:0]

- CPU Address:h228
- Accessed by CPU, serial interface (R/W)
- Bit [7:0] (Default FF)

11.6.2.9 MULTICAST_HASH08 - MULTICAST HASH RESULT8 MASK BYTE [7:0]

- CPU Address:h229
- Accessed by CPU, serial interface (R/W)
- Bit [7:0] (Default FF)

11.6.2.10 MULTICAST_HASH09 - MULTICAST HASH RESULT9 MASK BYTE [7:0]

- CPU Address:h22A
- Accessed by CPU, serial interface (R/W)
- Bit [7:0] (Default FF)

11.6.2.11 MULTICAST_HASH10 - MULTICAST HASH RESULT10 MASK BYTE [7:0]

- CPU Address:h22B
- Accessed by CPU, serial interface (R/W)
- Bit [7:0] (Default FF)

11.6.2.12 MULTICAST_HASH11 - MULTICAST HASH RESULT11 MASK BYTE [7:0]

- CPU Address:h22C
- Accessed by CPU, serial interface (R/W)
- Bit [7:0] (Default FF)

11.6.2.13 MULTICAST_HASH12 - MULTICAST HASH RESULT12 MASK BYTE [7:0]

- CPU Address:h22D
- Accessed by CPU, serial interface (R/W)
- Bit [7:0] (Default FF)

11.6.2.14 MULTICAST_HASH13 - MULTICAST HASH RESULT13 MASK BYTE [7:0]

- CPU Address:h22E
- Accessed by CPU, serial interface (R/W)
- Bit [7:0] (Default FF)

11.6.2.15 MULTICAST_HASH14 - MULTICAST HASH RESULT14 MASK BYTE [7:0]

- CPU Address:h22F
- Accessed by CPU, serial interface (R/W)
- Bit [7:0] (Default FF)

11.6.2.16 MULTICAST_HASH15 - MULTICAST HASH RESULT15 MASK BYTE [7:0]

- CPU Address:h230
- Accessed by CPU, serial interface (R/W)
- Bit [7:0] (Default FF)

11.6.2.17 MULTICAST_HASHML - MULTICAST HASH BIT[8] FOR RESULT7-0

- CPU Address:h231
- Accessed by CPU, serial interface (R/W)
- Bit [7:0] (Default FF)

11.6.2.18 MULTICAST_HASHML - MULTICAST HASH BIT[8] FOR RESULT 15-8

- CPU Address:h232
- Accessed by CPU, serial interface (R/W)
- Bit [7:0] (Default FF)

11.7 Group 3 Address**11.7.1 CPU Port Configuration Group**

MAC5 to MAC0 registers form the CPU address. When a packet with destination address equal to MAC5[5:0] arrives, it is forwarded to the CPU.

(MC bit)

MAC5	MAC4	MAC3	MAC2	MAC1	MAC0
------	------	------	------	------	------

11.7.1.1 MAC0 - CPU MAC ADDRESS BYTE 0

- CPU Address:h300
- Accessed by CPU
- Bit [7:0] Byte 0 of the CPU MAC address. (Default 8'00)

11.7.1.2 MAC1 - CPU MAC ADDRESS BYTE 1

- CPU Address:h301
- Accessed by CPU
- Bit [7:0] Byte 1 of the CPU MAC address. (Default 8'00)

11.7.1.3 MAC2 - CPU MAC ADDRESS BYTE 2

- CPU Address:h302
- Accessed by CPU
- Bit [7:0] Byte 2 of the CPU MAC address. (Default 8'00)

11.7.1.4 MAC3 - CPU MAC ADDRESS BYTE 3

- CPU Address:h303
- Accessed by CPU
- Bit [7:0] Byte 3 of the CPU MAC address. (Default 8'00)

11.7.1.5 MAC4 - CPU MAC ADDRESS BYTE 4

- CPU Address:h304
- Accessed by CPU
- Bit [7:0] Byte 4 of the CPU MAC address. (Default 8'00)

11.7.1.6 MAC5 - CPU MAC ADDRESS BYTE 5

- CPU Address:h305
- Accessed by CPU
- Bit [7:0] Byte 5 of the CPU MAC address. (Default 8'00). These registers form the CPU MAC address

11.7.1.7 INT_MASK0 - INTERRUPT MASK 0

- CPU Address:h306
- Accessed by CPU, serial interface (R/W)
- Mask off the interrupt source

The CPU can dynamically mask the interruption when it is busy and doesn't want to be interrupted

- Bit [0]: • CPU frame interrupt. CPU frame buffer has data for CPU to read (Default 1'b1)
- Bit [1]: • Control Command Frame 1 interrupt. Control Command Frame buffer1 has data for CPU to read (Default 1'b1)
- Bit [2]: • Control Command Frame 2 interrupt. Control Command Frame buffer2 has data for CPU to read (Default 1'b1)
- Bit [7:3]: • Reserved
 - 1 - Mask the interrupt
 - 0 - Unmask the interrupt (Enable interrupt)

11.7.1.8 INT_MASK1 - INTERRUPT MASK 1

- CPU Address:h307
 - Accessed by CPU, serial interface (R/W)
 - Mark off the interrupt source
- Bit [0]: • From Gigabit port 0 interrupt (Default 1'b1)
- Bit [1]: • From Gigabit port 1 interrupt (Default 1'b1)
- Bit [2]: • From Gigabit port 2 interrupt (Default 1'b1)
- Bit [3]: • From Gigabit port 3 interrupt (Default 1'b1)
- Bit [4]: • From Gigabit port 4 interrupt (Default 1'b1)
- Bit [5]: • From Gigabit port 5 interrupt (Default 1'b1)
- Bit [6]: • From Gigabit port 6 interrupt (Default 1'b1)
- Bit [7]: • From Gigabit port 7 interrupt (Default 1'b1)
- 1 - Mask the interrupt
 - 0 - Unmask the interrupt (Enable interrupt)

11.7.1.9 INT_STATUS0 - MASKED INTERRUPT STATUS REGISTER0

- CPU Address:h30A
 - Access by CPU, serial interface (RO)
 - Indicate the source of the masked interrupt.
- Bit [0]: • CPU frame interrupt.
- Bit [1]: • Control Command Frame 1 interrupt.
- Bit [2]: • Control Command Frame 2 interrupt.
- Bit [3]: • From any of the Gigabit port interrupt.
- Bit [7:4]: • Reserved.

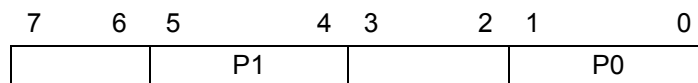
11.7.1.10 INT_STATUS1 - MASKED INTERRUPT STATUS REGISTER1

- (CPU Address:h30B)
 - Access by CPU, serial interface (RO)
 - Indicate the source of the masked interrupt.
- Bit [0]: • From Gigabit port 0 interrupt
- Bit [1]: • From Gigabit port 1 interrupt
- Bit [2]: • From Gigabit port 2 interrupt
- Bit [3]: • From Gigabit port 3 interrupt
- Bit [4]: • From Gigabit port 4 interrupt
- Bit [5]: • From Gigabit port 5 interrupt
- Bit [6]: • From Gigabit port 6 interrupt
- Bit [7]: • From Gigabit port 7 interrupt

11.7.1.11 INTP_MASK0 - INTERRUPT MASK FOR MAC PORT 0,1

- CPU Address:h30C
- Accessed by CPU, serial interface (R/W)

The CPU can dynamically mask the interruption when it is busy and doesn't want to be interrupted



1 - Mask the Interrupt

0 - Unmask the Interrupt (Enable interrupt)

Bit[0]: Port 0 statistic counter Wrap around interrupt mask. An interrupt is generated when a statistic counter gets to its maximum value and wraps around. Refer to hardware statistic counter for interrupt sources. **(Default 1'b1)**

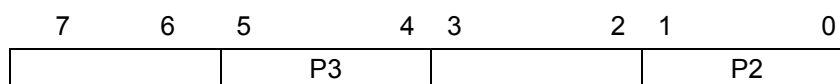
Bit [1]: Port 0 Link change mask. **(Default 1'b1)**

Bit [4]: Port 1 statistic counter Wrap around interrupt mask. **(Default 1'b1)**

Bit [5]: Port 1 Link change mask. **(Default 1'b1)**

11.7.1.12 INTP_MASK1 - INTERRUPT MASK FOR MAC PORT 2,3

- CPU Address:h30D
- Accessed by CPU, serial interface (R/W)



Bit [0]: • Port 2 WAS mask (Default 1'b1)

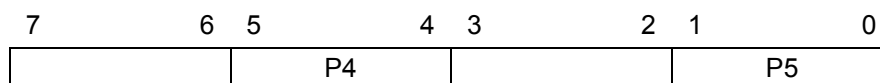
Bit [1]: • Port 2 link change mask (Default 1'b1)

Bit [4]: • Port 3 WAS mask (Default 1'b1)

Bit [5]: • Port 3 link change mask (Default 1'b1)

11.7.1.13 INTP_MASK4 - INTERRUPT MASK FOR MAC PORT 4,5

- CPU Address:h30E
- Accessed by CPU, serial interface (R/W)



Bit [0]: • Port 4 WAS mask (Default 1'b1)

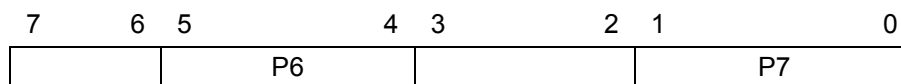
Bit [1]: • Port 4 link change mask (Default 1'b1)

Bit [4]: • Port 5 WAS mask (Default 1'b1)

Bit [5]: • Port 5 link change mask (Default 1'b1)

11.7.1.14 INTP_MASK5 - INTERRUPT MASK FOR MAC PORT 6,7

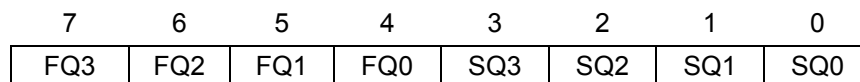
- CPU Address:h30F
- Accessed by CPU, serial interface (R/W)



- Bit [0]: • Port 6 WAS mask (Default 1'b1)
- Bit [1]: • Port 6 link change mask (Default 1'b1)
- Bit [4]: • Port 7 WAS mask (Default 1'b1)
- Bit [5]: • Port 7 link change mask (Default 1'b1)

11.7.2 RQS - Receive Queue Select

- CPU Address:h310
- Accessed by CPU, serial interface (RW)
- This register selects which receive queue is enable to send data to the CPU.



- Bit[0]: • Select Queue 0. If set to one, this queue may be scheduled to CPU port. If set to zero, this queue will be blocked. If multiple queues are selected, a strict priority will be applied. Q3> Q2> Q1> Q0. Same applies to bits [3:1]. See QoS application note for more information.
- Bit[1]: • Select Queue 1
- Bit[2]: • Select Queue 2
- Bit[3]: • Select Queue 3

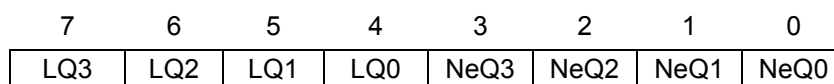
Note: Strip priority applies between different selected queues (Q3>Q2>Q1>Q0)

- Bit[4]: • Enable flush Queue 0
- Bit[5]: • Enable flush Queue 1
- Bit[6]: • Enable flush Queue 2
- Bit[7]: • Enable flush Queue 3

When flush (drop frames) is enable, it starts when queue is too long or entry is too old. A queue is too long when it reaches WRED thresholds. Queue 0 is not subject to early drop. Packets in queue 0 are dropped only when the queue is too old. An entry is too old when it is older than the time programmed in the register TX_AGE [5:0]. CPU can dynamically program this register reading register RQSS [7:4].

11.7.3 RQSS - Receive Queue Status

- CPU Address:h311
- Accessed by CPU, serial interface (RO)

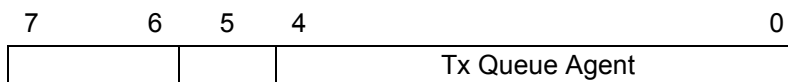


CPU queue status:

- Bit[3:0]: • Queue 3 to 0 not empty
- Bit[4]: • Head of line entry for Queue 3 to 0 is valid for too long. CPU queue 0 has no WRED threshold
- Bit[7:5]: • Head of line entry for Queue 3 to 0 is valid for too long or Queue length is longer than WRED threshold

11.7.4 TX_AGE - Tx Queue Aging timer

- I²C Address: h03B; CPU Address: h312
- Accessed by CPU, serial interface (RO)



- Bit[4:0]: • Unit of 100ms (Default 8) Disable transmission queue aging if value is zero.
- Bit[5] • Must be set to '0'
- Bit[7:6]: • Reserved

11.8 Group 4 Address

11.8.1 Search Engine Group

11.8.1.1 AGETIME_LOW - MAC ADDRESS AGING TIME LOW

- I²C Address h03C; CPU Address: h400
- Accessed by CPU, serial interface and I²C (R/W)
- Bit [7:0] Low byte of the MAC address aging timer. (Default 2c)
- The 2800 removes the MAC address from the data base and sends a Delete MAC Address Control Command to the CPU. Mac address aging is enable/disable by boot strap T_D[9].

11.8.1.2 AGETIME_HIGH - MAC ADDRESS AGING TIME HIGH

- I²C Address h03D; CPU Address: h401
- Accessed by CPU, serial interface and I²C (R/W)
- Bit [7:0]: High byte of the MAC address aging timer. (Default 00)
- Aging time is based on the following equation:
 $\{AGETIME_HIGH, AGETIME_LOW\} \times (\# \text{ of MAC entries} \times 100\mu\text{sec})$

Note: the number of entries= 66K when T_D[5] is pull down (SRAM memory size = 512K) and 34K when T_D[5] is pull up (SRAM memory size = 256K).

11.8.1.3 V_AGETIME - VLAN TO PORT AGING TIME

- CPU Address: h402
- Accessed by CPU (R/W)
- Bit [7:0] - 2msec/unit. (Default FF)

11.8.1.4 SE_OPMODE - SEARCH ENGINE OPERATION MODE

- CPU Address:h403
- Accessed by CPU (R/W)

7	6	5	4	3	2	1	0
SL	DMS	ARP	DRA	DA	DRD	DRN	FL

- Bit [0]:
- 1 - Enable fast learning mode. In this mode, the hardware learns all the new MAC addresses at highest rate, and reports to the CPU while the hardware scans the MAC database. When the CPU report queue is full, the MAC address is learned and marked as “Not reported”. When the hardware scans the database and finds a MAC address marked as “Not Reported” it tries to report it to the CPU. The scan rate must be set. SCAN Control register sets the scan rate. (Default 0)
 - 0 - Search Engine learns a new MAC address and sends a message to the CPU report queue. If queue is full, the learning is temporarily halted.
- Bit [1]:
- 1 - Disable report new VLAN port association (Default 0)
 - 0 - Report new VLAN port association
- Bit [2]: Report control
- 1 - Disable report MAC address deletion (Default 0)
 - 0 - Report MAC address deletion (MAC address is deleted from MCT after aging time)
- Bit [3]: Delete Control
- 1 - Disable aging logic from removing MAC during aging (Default 0)
 - 0 - MAC address entry is removed when it is old enough to be aged. However, a report is still sent to the CPU in both cases, when bit[2] = 0
- Bit [4]:
- 1 - Disable report aging VLAN port association (Default 0)
 - 0 - Enable Report aging VLAN. VLAN is not removed by hardware. The CPU needs to remove the VLAN -port association.
- Bit [5]:
- 1 - Report ARP packet to CPU (Default 0)
- Bit [6]:
- Disable MCT speedup aging (Default 0)
 - 1 - Disable speedup aging when MCT resource is low.
 - 0 - Enable speedup aging when MCT resource is low.
- Bit [7]:
- Slow Learning (Default 0)
 - 1- Enable slow learning. Learning is temporary disabled when search demand is high
 - 0 - Learning is performed independent of search demand

11.8.1.5 SCAN - SCAN CONTROL REGISTER

- CPU Address:h404
- Accessed by CPU (R/W)

7	6	0
R	Ratio	

SCAN is used when fast learning is enabled (SE_OP MODE bit 0). It is used for setting up the report rate for newly learned MAC addresses to the CPU.

- Bit [6:0]: • Ratio between database scanning and aging round (Default 00)
- Bit [7]: • Reverse the ratio between scanning round and aging round (Default 0)

Examples:

R= 0, Ratio = 0: All aging rounds are used for aging

R= 0, Ratio = 1: Aging and scanning in every other aging round

R= 1, Ratio = 7: In eight rounds, one is used for scanning and seven is used for aging

R= 0, Ratio = 7: In eight rounds, one is used for aging and seven is used for scanning

11.9 Group 5 Address

11.9.1 Buffer Control/QOS Group

11.9.1.1 FCBAT - FCB AGING TIMER

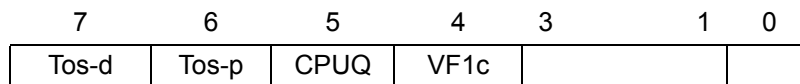
- I²C Address h03E; CPU Address:h500



- Bit [7:0]: • FCB Aging time. Unit of 1ms. **(Default FF)**
- FCBAT define the aging time out interval of FCB handle

11.9.1.2 QOSC - QOS CONTROL

- I²C Address h03F; CPU Address:h501
- Accessed by CPU, serial interface and I²C (R/W)

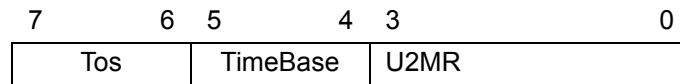


- Bit [0]: • QoS frame lost is OK. Priority will be available for flow control enabled source only when this bit is set (Default 0)
- Bit [4]: • Per VLAN Multicast Flow Control **(Default 0)**
 - 0 - Disable
 - 1 - Enable
- Bit [5]: • CPU multicast queues size
 - 0 = 16 entries
 - 1 = 160 entries
- Bit [6]: • Select TOS bits for Priority **(Default 0)**
 - 0 - Use TOS [4:2] bits to map the transmit priority
 - 1 - Use TOS [5:3] bits to map the transmit priority

- Bit [7]:
- select TOS bits for Drop (Default 0)
 - 0 - Use TOS [4:2] bits to map the drop priority
 - 1 - Use TOS [5:3] bits to map the drop priority

11.9.1.3 FCR - FLOODING CONTROL REGISTER

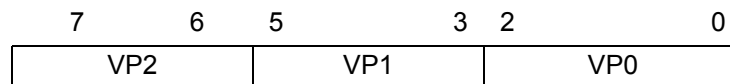
- I²C Address h040; CPU Address:h502
- Accessed by CPU, serial interface and I²C (R/W)



- Bit [3:0]:
- U2MR: Unicast to Multicast Rate. Units in terms of time base defined in bits [6:4]. This is used to limit the amount of flooding traffic. The value in U2MR specifies how many packets are allowed to flood within the time specified by bit [6:4]. To disable this function, program U2MR to 0. **(Default = 4'h8)**
- Bit [6:4]:
- TimeBase: (Default = 000)
 - **000 = 10us**
 - **001 = 20us**
 - **010 = 40us**
 - **011 = 80us**
 - **100 = 160us**
 - **01 = 320us**
 - **110 = 640us**
 - **111 = 10us**, same as 000.
- Bit [7]:
- Select VLAN tag or TOS field (IP packets) to be preferentially picked to map transmit priority and drop priority **(Default = 0)**.
 - 0 - Select VLAN tag priority field over TOS field
 - 1 - Select TOS field over VLAN tag priority field

11.9.1.4 AVPML - VLAN PRIORITY MAP

- I²C Address h041; CPU Address:h503
- Accessed by CPU, serial interface and I²C (R/W)

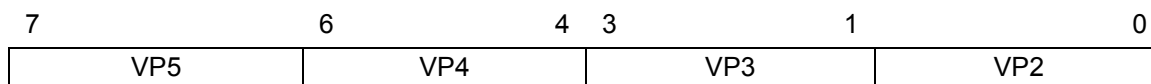


Registers AVPML, AVPMM, and AVPMH allow the eight VLAN priorities to map into eight internal level transmit priorities. Under the internal transmit priority, “seven” is the highest priority where as “zero” is the lowest. This feature allows the user the flexibility of redefining the VLAN priority field. For example, programming a value of 7 into bit 2:0 of the AVPML register would map packet VLAN priority) into internal transmit priority 7. The new priority is used only inside the 2804. When the packet goes out it carries the original priority.

- Bit [2:0]:
- Mapped priority of 0 **(Default 000)**
- Bit [5:3]:
- Mapped priority of 1 **(Default 001)**
- Bit [7:6]:
- Mapped priority of 2 **(Default 10)**

11.9.1.5 AVPMM - VLAN PRIORITY MAP

- I²C Address h042, CPU Address:h504
- Accessed by CPU, serial interface and I²C (R/W)

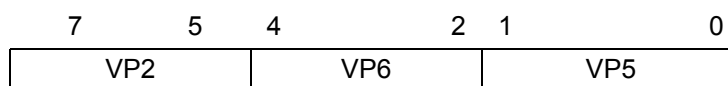


Map VLAN priority into eight level transmit priorities:

- Bit [0]: • Mapped priority of 2 (**Default 0**)
- Bit [3:1]: • Mapped priority of 3 (**Default 011**)
- Bit [6:4]: • Mapped priority of 4 (**Default 100**)
- Bit [7]: • Mapped priority of 5 (**Default 1**)

11.9.1.6 AVPMH - VLAN PRIORITY MAP

- I²C Address h043, CPU Address:h505
- Accessed by CPU, serial interface and I²C (R/W)

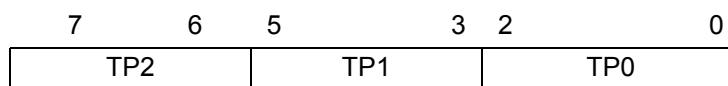


Map VLAN priority into eight level transmit priorities:

- Bit [1:0]: • Mapped priority of 5 (**Default 10**)
- Bit [4:2]: • Mapped priority of 6 (**Default 110**)
- Bit [7:5]: • Mapped priority of 7 (**Default 111**)

11.9.1.7 TOSPML - TOS PRIORITY MAP

- I²C Address h044, CPU Address:h506
- Accessed by CPU, serial interface and I²C (R/W)

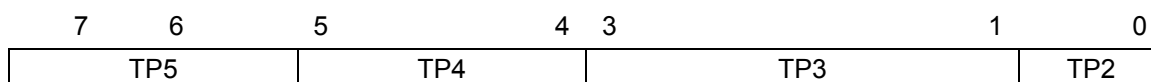


Map TOS field in IP packet into four level transmit priorities

- Bit [2:0]: • Mapped priority when TOS is 0 (**Default 000**)
- Bit [5:3]: • Mapped priority when TOS is 1 (**Default 001**)
- Bit [7:6]: • Mapped priority when TOS is 2 (**Default 10**)

11.9.1.8 TOSPMM - TOS PRIORITY MAP

- I²C Address h045, CPU Address:h507
- Accessed by CPU, serial interface and I²C (R/W)



Map TOS field in IP packet into four level transmit priorities

- Bit [0]: • Mapped priority when TOS is 2 (**Default 0**)
- Bit [3:1]: • Mapped priority when TOS is 3 (**Default 011**)
- Bit [6:4]: • Mapped priority when TOS is 4 (**Default 100**)
- Bit [7]: • Mapped priority when TOS is 5 (**Default 1**)

11.9.1.9 TOSPMH - TOS PRIORITY MAP

- I²C Address h046, CPU Address:h508
- Accessed by CPU, serial interface and I²C (R/W)

7	5 4	2 1	0
TP7	TP6	TP5	

Map TOS field in IP packet into four level transmit priorities:

- Bit [1:0]: • Mapped priority when TOS is 5 (**Default 01**)
- Bit [4:2]: • Mapped priority when TOS is 6 (**Default 110**)
- Bit [7:5]: • Mapped priority when TOS is 7 (**Default 111**)

11.9.1.10 AVDM - VLAN DISCARD MAP

- I²C Address h047, CPU Address:h509
- Accessed by CPU, serial interface and I²C (R/W)

7	6	5	4	3	2	1	0
FDV7	FDV6	FDV5	FDV4	FDV3	FDV2	FDV1	FDV0

Map VLAN priority into frame discard when low priority buffer usage is above threshold. Frames with high discard (drop) priority will be discarded (dropped) before frames with low drop priority.

- 0 - Low discard priority
- 1 - High discard priority

- Bit [0]: • Frame discard priority for frames with VLAN transmit priority 0 (**Default 0**)
- Bit [1]: • Frame discard priority for frames with VLAN transmit priority 1 (**Default 0**)
- Bit [2]: • Frame discard priority for frames with VLAN transmit priority 2 (**Default 0**)
- Bit [3]: • Frame discard priority for frames with VLAN transmit priority 3 (**Default 0**)
- Bit [4]: • Frame discard priority for frames with VLAN transmit priority 4 (**Default 0**)
- Bit [5]: • Frame discard priority for frames with VLAN transmit priority 5 (**Default 0**)
- Bit [6]: • Frame discard priority for frames with VLAN transmit priority 6 (**Default 0**)
- Bit [7]: • Frame discard priority for frames with VLAN transmit priority 7 (**Default 0**)

11.9.1.11 TOSDML - TOS DISCARD MAP

- I²C Address h048, CPU Address:h50A
- Accessed by CPU, serial interface and I²C (R/W)

7	6	5	4	3	2	1	0
FDT7	FDT6	FDT5	FDT4	FDT3	FDT2	FDT1	FDT0

Map TOS into frame discard when low priority buffer usage is above threshold

- Bit [0]: Frame discard priority for frames with TOS transmit priority 0 (**Default 0**)
- Bit [1]: Frame discard priority for frames with TOS transmit priority 1 (**Default 0**)
- Bit [2]: Frame discard priority for frames with TOS transmit priority 2 (**Default 0**)
- Bit [3]: Frame discard priority for frames with TOS transmit priority 3 (**Default 0**)
- Bit [4]: Frame discard priority for frames with TOS transmit priority 4 (**Default 0**)
- Bit [5]: Frame discard priority for frames with TOS transmit priority 5 (**Default 0**)
- Bit [6]: Frame discard priority for frames with TOS transmit priority 6 (**Default 0**)
- Bit [7]: Frame discard priority for frames with TOS transmit priority 7 (**Default 0**)

11.9.2 BMRC - Broadcast/Multicast Rate Control

- I²C Address h049, CPU Address:h50B)
- Accessed by CPU, serial interface and I²C (R/W)

7	4	3	0
Broadcast Rate		Multicast Rate	

This broadcast and multicast rate defines for each port the number of incoming packet allowed to be forwarded within a specified time. Once the packet rate is reached, packets will be dropped. To turn off the rate limit, program the field to 0.

- Bit [3:0]: Multicast Rate Control Number of multicast packets allowed within the time defined in bits 6 to 4 of the Flooding Control Register (FCR). (Default 0).
- Bit [7:4]: Broadcast Rate Control Number of broadcast packets allowed within the time defined in bits 6 to 4 of the Flooding Control Register (FCR). (Default 0)

11.9.3 UCC - Unicast Congestion Control

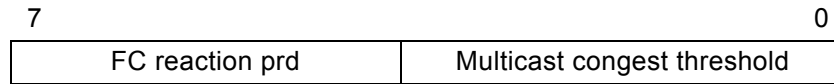
- I²C Address h04A, CPU Address:h50C
- Accessed by CPU, serial interface and I²C (R/W)

7	0
Unicast congest threshold	

- Bit [7:0]: Number of frame count. Used for best effort dropping at B% when destination port's best effort queue reaches UCC threshold and shared pool is all in use. Granularity 16 frame. (Default: h07)

11.9.4 MCC - Multicast Congestion Control

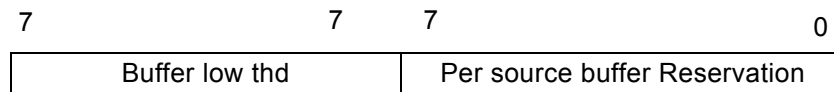
- I²C Address h0B7, CPU Address:h50D
- Accessed by CPU, serial interface and I²C (R/W)



- Bit [3:0]: In multiples of two. Used for triggering MC flow control when destination port's multicast best effort queue reaches MCC threshold. **(Default 5'h08)**
- Bit [4]: Must be 0
- Bit [7:5]: Flow control reaction period. $([7:5] * 4 \text{ uSec}) + 3 \text{ uSec}$ **(Default 3'h2).**

11.9.5 PRG - Port Reservation for Giga ports

- I²C Address h0B9, CPU Address:h50F
- Accessed by CPU, serial interface and I²C (R/W)

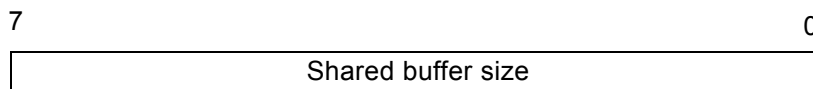


- Bit [3:0]: Per source buffer reservation. Define the space in the FDB reserved for each port. Expressed in multiples of 16 packets. For each packet 1536 bytes are reserved in the memory.
- Default: 4'hA for 4MB memory
 4'h6 for 2MB memory
 4'h3 for 1MB memory
- Bits [7:4]: Expressed in multiples of 16 packets. Threshold for dropping all best effort frames when destination port best effort queues reach UCC threshold and shared pool is all used and source port reservation is at or below the PRG[7:4] level. Also the threshold for initiating UC flow control.
- Default: 4'h6 for 4MB memory
 4'h2 for 2MB memory
 4'h1 for 1MB memory

11.9.6 FCB Reservation

11.9.6.1 SFCB - SHARE FCB SIZE

- I²C Address h04E), CPU Address:h510
- Accessed by CPU, serial interface and I²C (R/W)



- Bits [7:0]:
- Expressed in multiples of 8. Buffer reservation for shared pool.
(Default 4G & 4M = 8'd62)
(Default 4G & 2M = 8'd20)
(Default 4G & 1M = 8'd08)
(Default 8G & 4M = 8'd150)
(Default 8G & 2M = 8'd55)
(Default 8G & 1M = 8'd25)

11.9.6.2 C2RS - CLASS 2 RESERVED SIZE

- I²C Address h04F, CPU Address:h511
- Accessed by CPU, serial interface and I²C (R/W)



- Bits [7:0]:
- Buffer reservation for class 2 (third lowest priority). Granularity 2. **(Default 8'h00)**

11.9.6.3 C3RS - CLASS 3 RESERVED SIZE

- I²C Address h050, CPU Address:h512
- Accessed by CPU, serial interface and I²C (R/W)



- Bits [7:0]:
- Buffer reservation for class 3. Granularity 2. **(Default 8'h00)**

11.9.6.4 C4RS - CLASS 4 RESERVED SIZE

- I²C Address h051, CPU Address:h513
- Accessed by CPU, serial interface and I²C (R/W)



- Bits [7:0]:
- Buffer reservation for class 4. Granularity 2. **(Default 8'h00)**

11.9.6.5 C5RS - CLASS 5 RESERVED SIZE

- I²C Address h052; CPU Address:h514
- Accessed by CPU, serial interface and I²C (R/W)



- Bits [7:0]:
- Buffer reservation for class 5. Granularity 2. **(Default 8'h00)**

11.9.6.6 C6RS - CLASS 6 RESERVED SIZE

- I²C Address h053; CPU Address:h515
- Accessed by CPU, serial interface and I²C (R/W)



- Bits [7:0]:
- Buffer reservation for class 6 (second highest priority). Granularity 2. **(Default 8'h00)**

11.9.6.7 C7RS - CLASS 7 RESERVED SIZE

- I²C Address h054; CPU Address:h516
- Accessed by CPU, serial interface and I²C (R/W)



- Bits [7:0]:
- Buffer reservation for class 7 (highest priority). Granularity 2. **(Default 8'h00)**

11.9.7 Classes Byte Gigabit Port 0

- Accessed by CPU; serial interface and I²C (R/W):

11.9.7.1 QOSC00 - BYTE_C2_G0

- I²C Address h055, CPU Address:h517

- Bits [7:0]:
- Byte count threshold for C2 queue WRED **(Default 8'h28)**
 - (1024byte/unit when Delay Bound is used)
 - (1024byte/unit when WFQ is used)

11.9.7.2 QOSC01 - BYTE_C3_G0

- I²C Address h056, CPU Address:h518

- Bits [7:0]:
- Byte count threshold for C3 queue WRED **(Default 8'h28)**
 - (512byte/unit when Delay Bound is used)
 - (1024byte/unit when WFQ is used)

11.9.7.3 QOSC02 - BYTE_C4_G0

- I²C Address h057, CPU Address:h519

- Bits [7:0]:
- Byte count threshold for C4 queue WRED **(Default 8'h28)**
 - (256byte/unit when Delay Bound is used)
 - (1024byte/unit when WFQ is used)

11.9.7.4 QOSC03 - BYTE_C5_G0

- I²C Address h058, CPU Address:h51A
 - Bits [7:0]:
 - Byte count threshold for C5 queue WRED (**Default 8'h28**)
 - (128byte/unit when Delay Bound is used)
 - (1024byte/unit when WFQ is used)

11.9.7.5 QOSC04 - BYTE_C6_G0

- I²C Address h059, CPU Address:h51B
 - Bits [7:0]:
 - Byte count threshold for C6 queue WRED (**Default 8'h50**)
 - (64byte/unit when Delay Bound is used)
 - (1024byte/unit when WFQ is used)

11.9.7.6 QOSC05 - BYTE_C7_G0

- I²C Address h05A, CPU Address:h51C
 - Bits [7:0]:
 - Byte count threshold for C6 queue WRED (**Default 8'h50**)
 - (64byte/unit when Delay Bound is used)
 - (1024byte/unit when WFQ is used)

QOSC00 through QOSC05 represent the values F-A in Table 3 for Gigabit port 0. They are per-queue byte thresholds for weighted random early drop (WRED). QOSC05 represents A, and QOSC00 represents F. See QoS application note for more information.

11.9.8 Classes Byte Gigabit Port 1

- Accessed by CPU; serial interface and I²C (R/W):

11.9.8.1 QOSC06 - BYTE_C2_G1

- I²C Address h05B, CPU Address:h51D
 - Bits [7:0]:
 - Byte count threshold for C2 queue WRED (**Default 8'h28**)
 - (1024byte/unit when Delay Bound is used)
 - (1024byte/unit when WFQ is used)

11.9.8.2 QOSC07 - BYTE_C3_G1

- I²C Address h05C, CPU Address:h51E
 - Bits [7:0]:
 - Byte count threshold for C3 queue WRED (**Default 8'h28**)
 - (512 byte/unit when Delay Bound is used)
 - (1024 byte/unit when WFQ is used)

11.9.8.3 QOSC08 - BYTE_C4_G1

- I²C Address h05D, CPU Address:h51F
 - Bits [7:0]:
 - Byte count threshold for C4 queue WRED (**Default 8'h28**)
 - (256 byte/unit when Delay Bound is used)
 - (1024byte/unit when WFQ is used)

11.9.8.4 QOSC09 - BYTE_C5_G1

- I²C Address h05E, CPU Address:h520
- Bits [7:0]:
 - Byte count threshold for C5 queue WRED (**Default 8'h28**)
 - (128 byte/unit when Delay Bound is used)
 - (1024 byte/unit when WFQ is used)

11.9.8.5 QOSC0A - BYTE_C6_G1

- I²C Address h05F, CPU Address:h521
- Bits [7:0]:
 - Byte count threshold for C6 queue WRED (**Default 8'h50**)
 - (64 byte/unit when Delay Bound is used)
 - (1024 byte/unit when WFQ is used)

11.9.8.6 QOSC0B - BYTE_C7_G1

- I²C Address h060, CPU Address:h522
- Bits [7:0]:
 - Byte count threshold for C7 queue WRED (**Default 8'h50**)
 - (64 byte/unit when Delay Bound is used)
 - (1024 byte/unit when WFQ is used)

QOSC06 through QOSC0B represent the values F-A in Table 3. They are per-queue byte thresholds for random early drop. QOSC0B represents A, and QOSC06 represents F. See QoS application note for more information

11.9.9 Classes Byte Gigabit Port 2

- Accessed by CPU; serial interface and I²C (R/W):

11.9.9.1 QOSC0C - BYTE_C2_G2

- I²C Address h061, CPU Address:h523
- Bits [7:0]:
 - Byte count threshold for C2 queue WRED (**Default 8'h28**)
 - (1024 byte/unit when Delay Bound is used)
 - (1024 byte/unit when WFQ is used)

11.9.9.2 QOSC0D - BYTE_C3_G2

- I²C Address h062, CPU Address:h524
- Bits [7:0]:
 - Byte count threshold for C3 queue WRED (**Default 8'h28**)
 - (512 byte/unit when Delay Bound is used)
 - (1024 byte/unit when WFQ is used)

11.9.9.3 QOSC0E - BYTE_C4_G2

- I²C Address h063, CPU Address:h525
- Bits [7:0]:
 - Byte count threshold for C4 queue WRED (**Default 8'h28**)
 - (256 byte/unit when Delay Bound is used)
 - (1024 byte/unit when WFQ is used)

11.9.9.4 QOSC0F - BYTE_C5_G2

- I²C Address h064, CPU Address:h526
- Bits [7:0]:
 - Byte count threshold for C5 queue WRED (**Default 8'h28**)
 - (128 byte/unit when Delay Bound is used)
 - (1024 byte/unit when WFQ is used)

11.9.9.5 QOSC10 - BYTE_C6_G2

- I²C Address h065, CPU Address:h527
- Bits [7:0]:
 - Byte count threshold for C6 queue WRED (**Default 8'h50**)
 - (64 byte/unit when Delay Bound is used)
 - (1024 byte/unit when WFQ is used)

11.9.9.6 QOSC11 - BYTE_C7_G2

- I²C Address h066, CPU Address:h528
- Bits [7:0]:
 - Byte count threshold for C7 queue WRED (**Default 8'h50**)
 - (64 byte/unit when Delay Bound is used)
 - (1024 byte/unit when WFQ is used)

QOSC0C through QOSC11 represent the values F-A in Table 3. They are per-queue byte thresholds for random early drop. QOSC11 represents A, and QOSC0C represents F. See QoS application note for more information

11.9.10 Classes Byte Gigabit Port 3

- Accessed by CPU; serial interface and I2C (R/W):

11.9.10.1 QOSC12 - BYTE_C2_G3

- I²C Address h067, CPU Address:h529
- Bits [7:0]:
 - Byte count threshold for C2 queue WRED (**Default 8'h28**)
 - (1024 byte/unit when Delay Bound is used)
 - (1024 byte/unit when WFQ is used)

11.9.10.2 QOSC13 - BYTE_C3_G3

- I²C Address h068, CPU Address:h52A
- Bits [7:0]:
 - Byte count threshold for C3 queue WRED (**Default 8'h28**)
 - (512 byte/unit when Delay Bound is used)
 - (1024 byte/unit when WFQ is used)

11.9.10.3 QOSC14 - BYTE_C4_G3

- I²C Address h069, CPU Address:h52B
- Bits [7:0]:
 - Byte count threshold for C4 queue WRED (**Default 8'h28**)
 - (256 byte/unit when Delay Bound is used)
 - (1024 byte/unit when WFQ is used)

11.9.10.4 QOSC15 - BYTE_C5_G3

- I²C Address h06A, CPU Address:h52C
- Bits [7:0]:
 - Byte count threshold for C5 queue WRED (**Default 8'h28**)
 - (128 byte/unit when Delay Bound is used)
 - (1024 byte/unit when WFQ is used)

11.9.10.5 QOSC16 - BYTE_C6_G3

- I²C Address h06B, CPU Address:h52D
- Bits [7:0]:
 - Byte count threshold for C6 queue WRED (**Default 8'h50**)
 - (64 byte/unit when Delay Bound is used)
 - (1024 byte/unit when WFQ is used)

11.9.10.6 QOSC17 - BYTE_C7_G3

- I²C Address h06C, CPU Address:h52E
- Bits [7:0]:
 - Byte count threshold for C7 queue WRED (**Default 8'h50**)
 - (64 byte/unit when Delay Bound is used)
 - (1024 byte/unit when WFQ is used)

QOSC12 through QOSC17 represent the values F-A in Table 3. They are per-queue byte thresholds for random early drop. QOSC17 represents A, and QOSC12 represents F. See QoS application note for more information

11.9.11 Classes Byte Gigabit Port 4

- Accessed by CPU; serial interface and I²C (R/W):

11.9.11.1 QOSC18 - BYTE_C2_G4

- I²C Address h06D, CPU Address:h52F
- Bits [7:0]:
 - Byte count threshold for C2 queue WRED (**Default 8'h28**)
 - (1024 byte/unit when Delay Bound is used)
 - (1024 byte/unit when WFQ is used)

11.9.11.2 QOSC019 - BYTE_C3_G4

- I²C Address h06E, CPU Address:h530
- Bits [7:0]:
 - Byte count threshold for C3 queue WRED (**Default 8'h28**)
 - (512 byte/unit when Delay Bound is used)
 - (1024 byte/unit when WFQ is used)

11.9.11.3 QOSC1A - BYTE_C4_G4

- I²C Address h06F, CPU Address:h531
- Bits [7:0]:
 - Byte count threshold for C4 queue WRED (**Default 8'h28**)
 - (256 byte/unit when Delay Bound is used)
 - (1024 byte/unit when WFQ is used)

11.9.11.4 QOSC1B - BYTE_C5_G4

- I²C Address h070, CPU Address:h532
- Bits [7:0]:
 - Byte count threshold for C5 queue WRED (**Default 8'h28**)
 - (128 byte/unit when Delay Bound is used)
 - (1024 byte/unit when WFQ is used)

11.9.11.5 QOSC1C - BYTE_C6_G4

- I²C Address h071, CPU Address:h533
- Bits [7:0]:
 - Byte count threshold for C6 queue WRED (**Default 8'h28**)
 - (64 byte/unit when Delay Bound is used)
 - (1024 byte/unit when WFQ is used)

11.9.11.6 QOSC1D- BYTE_C7_G4

- I²C Address h072, CPU Address:h534
- Bits [7:0]:
 - Byte count threshold for C7 queue WRED (**Default 8'h28**)
 - (64 byte/unit when Delay Bound is used)
 - (1024 byte/unit when WFQ is used)

QOSC18 through QOSC1D represent the values F-A in Table 3. They are per-queue byte thresholds for random early drop. QOSC1D represents A, and QOSC18 represents F. See QoS application note for more information

11.9.12 Classes Byte Gigabit Port 5

- Accessed by CPU; serial interface and I²C (R/W):

11.9.12.1 QOSC1E- BYTE_C2_G5

- I²C Address h073, CPU Address:h535
- Bits [7:0]:
 - Byte count threshold for C2 queue WRED (**Default 8'h28**)
 - (1024 byte/unit when Delay Bound is used)
 - (1024 byte/unit when WFQ is used)

11.9.12.2 QOSC1F - BYTE_C3_G5

- I²C Address h074, CPU Address:h536
- Bits [7:0]:
 - Byte count threshold for C3 queue WRED (**Default 8'h28**)
 - (512 byte/unit when Delay Bound is used)
 - (1024 byte/unit when WFQ is used)

11.9.12.3 QOSC20 - BYTE_C4_G5

- I²C Address h075, CPU Address:h537
- Bits [7:0]:
 - Byte count threshold for C4 queue WRED (**Default 8'h28**)
 - (256 byte/unit when Delay Bound is used)
 - (1024 byte/unit when WFQ is used)

11.9.12.4 QOSC21 - BYTE_C5_G5

- I²C Address h076, CPU Address:h538
- Bits [7:0]:
 - Byte count threshold for C5 queue WRED (**Default 8'h28**)
 - (128 byte/unit when Delay Bound is used)
 - (1024 byte/unit when WFQ is used)

11.9.12.5 QOSC22 - BYTE_C6_G5

- I²C Address h077, CPU Address:h539
- Bits [7:0]:
 - Byte count threshold for C6 queue WRED (**Default 8'h50**)
 - (64 byte/unit when Delay Bound is used)
 - (1024 byte/unit when WFQ is used)

11.9.12.6 QOSC23 - BYTE_C7_G5

- I²C Address h078, CPU Address:h53A
- Bits [7:0]:
 - Byte count threshold for C4 queue WRED (**Default 8'h50**)
 - (64 byte/unit when Delay Bound is used)
 - (1024 byte/unit when WFQ is used)

QOSC1E through QOSC23 represent the values F-A in Table 3. They are per-queue byte thresholds for random early drop. QOSC23 represents A, and QOSC1E represents F. See QoS application note for more information

11.9.13 Classes Byte Gigabit Port 6

- Accessed by CPU; serial interface and I2C (R/W):

11.9.13.1 QOSC24 - BYTE_C2_G6

- I²C Address h079, CPU Address:h53B
- Bits [7:0]:
 - Byte count threshold for C2 queue WRED (**Default 8'h28**)
 - (1024 byte/unit when Delay Bound is used)
 - (1024 byte/unit when WFQ is used)

11.9.13.2 QOSC25 - BYTE_C3_G6

- I²C Address h07A, CPU Address:h53C
- Bits [7:0]:
 - Byte count threshold for C3 queue WRED (**Default 8'h28**)
 - (512 byte/unit when Delay Bound is used)
 - (1024 byte/unit when WFQ is used)

11.9.13.3 QOSC26 - BYTE_C4_G6

- I²C Address h07B, CPU Address:h53D
- Bits [7:0]:
 - Byte count threshold for C4 queue WRED (**Default 8'h28**)
 - (256 byte/unit when Delay Bound is used)
 - (1024 byte/unit when WFQ is used)

11.9.13.4 QOSC27 - BYTE_C5_G6

- I²C Address h07C, CPU Address:h53E
 - Bits [7:0]:
 - Byte count threshold for C5 queue WRED (**Default 8'h28**)
 - (128 byte/unit when Delay Bound is used)
 - (1024 byte/unit when WFQ is used)

11.9.13.5 QOSC28 - BYTE_C6_G6

- I²C Address h07D, CPU Address:h53F
 - Bits [7:0]:
 - Byte count threshold for C6 queue WRED (**Default 8'h50**)
 - (64 byte/unit when Delay Bound is used)
 - (1024 byte/unit when WFQ is used)

11.9.13.6 QOSC29 - BYTE_C7_G6

- I²C Address h07E, CPU Address:h540
 - Bits [7:0]:
 - Byte count threshold for C7 queue WRED (**Default 8'h50**)
 - (64 byte/unit when Delay Bound is used)
 - (1024 byte/unit when WFQ is used)

QOSC24 through QOSC29 represent the values F-A in Table 3. They are per-queue byte thresholds for random early drop. QOSC29 represents A, and QOSC24 represents F. See QoS application note for more information.

11.9.14 Classes Byte Gigabit Port 7

- Accessed by CPU; serial interface and I²C (R/W):

11.9.14.1 QOSC2A - BYTE_C2_G7

- I²C Address h07F, CPU Address:h541
 - Bits [7:0]:
 - Byte count threshold for C2 queue WRED (**Default 8'h28**)
 - (1024 byte/unit when Delay Bound is used)
 - (1024 byte/unit when WFQ is used)

11.9.14.2 QOSC2B - BYTE_C3_G7

- I²C Address h080, CPU Address:h542
 - Bits [7:0]:
 - Byte count threshold for C3 queue WRED (**Default 8'h28**)
 - (512 byte/unit when Delay Bound is used)
 - (1024 byte/unit when WFQ is used)

11.9.14.3 QOSC2C - BYTE_C4_G7

- I²C Address h081, CPU Address:h543
 - Bits [7:0]:
 - Byte count threshold for C4 queue WRED (**Default 8'h28**)
 - (256 byte/unit when Delay Bound is used)
 - (1024 byte/unit when WFQ is used)

11.9.14.4 1QOSC2D - BYTE_C5_G7

- I²C Address h082, CPU Address:h544
- Bits [7:0]:
 - Byte count threshold for C5 queue WRED (**Default 8'h28**)
 - (128 byte/unit when Delay Bound is used)
 - (1024 byte/unit when WFQ is used)

11.9.14.5 QOSC2E - BYTE_C6_G7

- I²C Address h083, CPU Address:h545
- Bits [7:0]:
 - Byte count threshold for C6 queue WRED (**Default 8'h50**)
 - (64 byte/unit when Delay Bound is used)
 - (1024 byte/unit when WFQ is used)

11.9.14.6 QOSC2F - BYTE_C7_G7

- I²C Address h084, CPU Address:h546
- Bits [7:0]:
 - Byte count threshold for C5 queue WRED (**Default 8'h50**)
 - (64 byte/unit when Delay Bound is used)
 - (1024 byte/unit when WFQ is used)

QOSC00 through QOSC05 represent the values F-A in Table 3. They are per-queue byte thresholds for random early drop. QOSC05 represents A, and QOSC00 represents F. See QoS application note for more information.

11.9.15 Classes Byte Limit CPU

- Accessed by CPU; serial interface and I²C (R/W):

11.9.15.1 QOSC30 - BYTE_C01

- CPU Address:h547
- Bits [7:0]:
 - Byte count threshold for C1 queue (256byte/unit)

11.9.15.2 QOSC31 - BYTE_C02

- CPU Address:h548
- Bits [7:0]:
 - Byte count threshold for C2 queue (256byte/unit)

11.9.15.3 QOSC32 - BYTE_C03

- CPU Address:h549
- Bits [7:0]:
 - Byte count threshold for C3 queue (256byte/unit)

QOSC30 through QOSC32 represent the values C-A for CPU port. The values A-C are per-queue byte thresholds for random early drop. QOSC32 represents A, and QOSC30 represents C. Queue 0 does not have weighted random drop. See QoS application note for more information.

11.9.16 Classes WFQ Credit Set 0

- Accessed by CPU only

11.9.16.1 QOSC33 - CREDIT_C0_G0

- CPU Address:h54A

- Bits [5:0]:
- W0 - Credit register for WFQ. (Default 6'h04)
- Bits [7:6]:
- Priority type. Define one of the four QoS mode of operation for port 0 (Default 2'00)
 - See table below:

Queue	P7	P6	P5	P4	P3	P2	P1	P0
Option 1 Bit [7:6] = 2'B00	DELAY BOUND						BE	
Option 2 Bit [7:6] = 2'B01	SP		DELAY BOUND				BE	
Option 3 Bit [7:6] = 2'B10	SP		WFQ					
Option 4 Bit [7:6] = 2'B11	WFQ							
Credit for WFQ - Bit [5:0]	W7	W6	W5	W4	W3	W2	W1	W0

11.9.16.2 QOSC34 - CREDIT_C1_G0

- CPU Address:h54B

- Bits [7]:
- Flow control allow during WFQ scheme. **(Default 1'b1)**
 - 0 = Not support QoS when the Source port Flow control status is on.
 - 1= Always support QoS)
- Bits [6]:
- Flow control BE Queue only. **(Default 1'b1)**
 - 0= DO NOT send any frames if the XOFF is on.
 - 1= the P7-P2 frames can be sent even the XOFF is ON
- Bits [5:0]
- W1 - Credit register. **(Default 4'h04)**

Fc_allow	Fc_be_only	Lost_ok	
Egress- for dest fc_status		Ingress- for src fc status	
0	0	0	Go to BE Queue if (Src FC or Des FC on) otherwise Normal
0	0	1	Go to BE Queue if (Dest FC on) otherwise Normal
1	0	0	(WFQ only) Go to BE Queue if (Src FC on) otherwise BAD
1	0	1	(WFQ only) Always Normal
X	1	0	Go to BE Queue if (Src FC on)
X	1	1	Always Normal

11.9.16.3 QOSC35 - CREDIT_C2_G0

- CPU Address:h54C
- Bits [5:0]: • W2 - Credit register. **(Default 4'h04)**
- Bits [7:6]: • Reserved

11.9.16.4 QOSC36 - CREDIT_C3_G0

- CPU Address:h54D
- Bits [5:0]: • W3 - Credit register. **(Default 4'h04)**
- Bits [7:6]: • Reserved

11.9.16.5 QOSC37 - CREDIT_C4_G0

- CPU Address:h54E
- Bits [5:0]: • W4 - Credit register. **(Default 4'h04)**
- Bits [7:6]: • Reserved

11.9.16.6 QOSC38 - CREDIT_C5_G0

- CPU Address:h54F
- Bits [5:0]: • W5 - Credit register. **(Default 5'h8)**
- Bits [7:6]: • Reserved

11.9.16.7 QOSC39- CREDIT_C6_G0

- CPU Address:h550
- Bits [5:0]: • W6 - Credit register. **(Default 5'h8)**
- Bits [7:6]: • Reserved

11.9.16.8 QOSC3A- CREDIT_C7_G0

- CPU Address:h551
- Bits [5:0]: • W7 - Credit register. **(Default 5'h10)**
- Bits [7:6]: • Reserved

QOSC33 through QOSC3A represents the set of WFQ parameters (see section 7.5) for Gigabit port 0. The granularity of the numbers is 1, and their sum must be 64. QOSC33 corresponds to W0, and QOSC3A corresponds to W7.

11.9.17 Classes WFQ Credit Port G1

- Access by CPU only

11.9.17.1 QOSC3B - CREDIT_C0_G1

- CPU Address:h552

- Bits [5:0]:
- W0 - Credit register for WFQ. **(Default 6'h04)**
- Bits [7:6]:
- Priority type. Define one of the four QoS mode of operation for port 1 (Default 2'00)
 - See table below:

Queue	P7	P6	P5	P4	P3	P2	P1	P0
Option 1 Bit [7:6] = 2'B00	DELAY BOUND						BE	
Option 2 Bit [7:6] = 2'B01	SP		DELAY BOUND				BE	
Option 3 Bit [7:6] = 2'B10	SP		WFQ					
Option 4 Bit [7:6] = 2'B11	WFQ							
Credit for WFQ - Bit [5:0]	W7	W6	W5	W4	W3	W2	W1	W0

11.9.17.2 QOSC3C - CREDIT_C1_G1

- CPU Address:h54B

- Bits [7]:
- Flow control allow during WFQ scheme. (Default 1'b1)
 - 0 = Not support QoS when the Source port Flow control status is on.
 - 1= Always support QoS)
- Bits [6]:
- Flow control BE Queue only. (Default 1'b1)
 - 0= DO NOT send any frames if the XOFF is on.
 - 1= the P7-P2 frames can be sent even the XOFF is ON
- Bits [5:0]
- W1 - Credit register. (Default 4'h04)

Fc_allow	Fc_be_only	Lost_ok	
Egress- for dest fc_status		Ingress- for src fc status	
0	0	0	Go to BE Queue if (Src FC or Des FC on) otherwise Normal
0	0	1	Go to BE Queue if (Dest FC on) otherwise Normal
1	0	0	(WFQ only) Go to BE Queue if (Src FC on) otherwise BAD
1	0	1	(WFQ only) Always Normal
X	1	0	Go to BE Queue if (Src FC on)
X	1	1	Always Normal

11.9.17.3 QOSC3D - CREDIT_C2_G1

- CPU Address:h553
 - Bits [5:0]: • W2 - Credit register. **(Default 4'h04)**
 - Bits [7:6]: • Reserved

11.9.17.4 QOSC3E - CREDIT_C3_G1

- CPU Address:h554
 - Bits [5:0]: • W3 - Credit register. **(Default 4'h04)**
 - Bits [7:6]: • Reserved

11.9.17.5 QOSC3F - CREDIT_C4_G1

- CPU Address:h555
 - Bits [5:0]: • W4 - Credit register. **(Default 4'h04)**
 - Bits [7:6]: • Reserved

11.9.17.6 QOSC40 - CREDIT_C5_G1

- CPU Address:h556
 - Bits [5:0]: • W5 - Credit register. **(Default 5'h8)**
 - Bits [7:6]: • Reserved

11.9.17.7 QOSC41- CREDIT_C6_G1

- CPU Address:h557
 - Bits [5:0]: • W6 - Credit register. **(Default 5'h8)**
 - Bits [7:6]: • Reserved

11.9.17.8 QOSC42- CREDIT_C7_G1

- CPU Address:h558
 - Bits [5:0]: • W7 - Credit register. **(Default 5'h10)**
 - Bits [7:6]: • Reserved

QOSC3B through QOSC42 represents the set of WFQ parameters (see section 7.5) for Gigabit port 1. The granularity of the numbers is 1, and their sum must be 64. QOSC3B corresponds to W0, and QOSC42 corresponds to W7

11.9.18 Classes WFQ Credit Port G2

- Access by CPU only

11.9.18.1 QOSC43 - CREDIT_C0_G2

- CPU Address:h55A

- Bits [5:0]:
- W0 - Credit register for WFQ. **(Default 6'h04)**
- Bits [7:6]:
- Priority type. Define one of the four QoS mode of operation for port 2 (Default 2'00)
 - See table below:

Queue	P7	P6	P5	P4	P3	P2	P1	
Option 1 Bit [7:6] = 2'B00	DELAY BOUND						BE	
Option 2 Bit [7:6] = 2'B01	SP		DELAY BOUND			BE		
Option 3 Bit [7:6] = 2'B10	SP		WFQ					
Option 4 Bit [7:6] = 2'B11	WFQ							
Credit for WFQ - Bit [5:0]	W7	W6	W5	W4	W3	W2	W1	W0

11.9.18.2 QOSC44 - CREDIT_C1_G2

- CPU Address:h55B

- Bits [7]:
- Flow control allow during WFQ scheme. **(Default 1'b1)**
 - 0 = Not support QoS when the Source port Flow control status is on.
 - 1= Always support QoS)
- Bits [6]:
- Flow control BE Queue only. **(Default 1'b1)**
 - 0= DO NOT send any frames if the XOFF is on.
 - 1= the P7-P2 frames can be sent even the XOFF is ON
- Bits [5:0]
- W1 - Credit register. **(Default 4'h04)**

Fc_allow	Fc_be_only	Lost_ok	
Egress- for dest fc_status		Ingress- for src fc status	
0	0	0	Go to BE Queue if (Src FC or Des FC on) otherwise Normal
0	0	1	Go to BE Queue if (Dest FC on) otherwise Normal
1	0	0	(WFQ only) Go to BE Queue if (Src FC on) otherwise BAD
1	0	1	(WFQ only) Always Normal
X	1	0	Go to BE Queue if (Src FC on)
X	1	1	Always Normal

11.9.18.3 QOSC45 - CREDIT_C2_G2

- CPU Address:h55C
 - Bits [5:0]: • W2 - Credit register. **(Default 4'h04)**
 - Bits [7:6]: • Reserved

11.9.18.4 QOSC46 - CREDIT_C3_G2

- CPU Address:h55D
 - Bits [5:0]: • W3 - Credit register. **(Default 4'h04)**
 - Bits [7:6]: • Reserved

11.9.18.5 QOSC47 - CREDIT_C4_G2

- CPU Address:h55E
 - Bits [5:0]: • W4 - Credit register. **(Default 4'h04)**
 - Bits [7:6]: • Reserved

11.9.18.6 QOSC48 - CREDIT_C5_G2

- CPU Address:h55F
 - Bits [5:0]: • W5 - Credit register. **(Default 5'h8)**
 - Bits [7:6]: • Reserved

11.9.18.7 QOSC49- CREDIT_C6_G2

- CPU Address:h560
 - Bits [5:0]: • W6 - Credit register. **(Default 5'h8)**
 - Bits [7:6]: • Reserved

11.9.18.8 QOSC4A- CREDIT_C7_G2

- CPU Address:h561
 - Bits [5:0]: • W7 - Credit register. **(Default 5'h10)**
 - Bits [7:6]: • Reserved

QOSC43 through QOSC4A represents the set of WFQ parameters (see section 7.5) for Gigabit port 2. The granularity of the numbers is 1, and their sum must be 64. QOSC43 corresponds to W0, and QOSC4A corresponds to W7.

11.9.19 Classes WFQ Credit Port G3

- Access by CPU only

11.9.19.1 QOSC4B - CREDIT_C0_G3

- CPU Address:h562

- Bits [5:0]:
- W0 - Credit register for WFQ. **(Default 6'h04)**
- Bits [7:6]:
- Priority type. Define one of the four QoS mode of operation for port 3 (Default 2'00)
 - See table below:

Queue	P7	P6	P5	P4	P3	P2	P1	P0
Option 1 Bit [7:6] = 2'B00	DELAY BOUND						BE	
Option 2 Bit [7:6] = 2'B01	SP		DELAY BOUND				BE	
Option 3 Bit [7:6] = 2'B10	SP		WFQ					
Option 4 Bit [7:6] = 2'B11	WFQ							
Credit for WFQ - Bit [5:0]	W7	W6	W5	W4	W3	W2	W1	W0

11.9.19.2 QOSC4 - CREDIT_C1_G3

- CPU Address:h563

- Bits [7]:
- Flow control allow during WFQ scheme. **(Default 1'b1)**
 - 0 = Not support QoS when the Source port Flow control status is on.
 - 1= Always support QoS)
- Bits [6]:
- Flow control BE Queue only. **(Default 1'b1)**
 - 0= DO NOT send any frames if the XOFF is on.
 - 1= the P7-P2 frames can be sent even the XOFF is ON
- Bits [5:0]
- W1 - Credit register. **(Default 4'h04)**

Fc_allow	Fc_be_only	Lost_ok	
Egress- for dest fc_status		Ingress- for src fc status	
0	0	0	Go to BE Queue if (Src FC or Des FC on) otherwise Normal
0	0	1	Go to BE Queue if (Dest FC on) otherwise Normal
1	0	0	(WFQ only) Go to BE Queue if (Src FC on) otherwise BAD
1	0	1	(WFQ only) Always Normal
X	1	0	Go to BE Queue if (Src FC on)
X	1	1	Always Normal

11.9.19.3 QOSC4D - CREDIT_C2_G3

- CPU Address:h564
- Bits [5:0]: • W2 - Credit register. **(Default 4'h04)**
- Bits [7:6]: • Reserved

11.9.19.4 QOSC4E - CREDIT_C3_G3

- CPU Address:h565
- Bits [5:0]: • W3 - Credit register. **(Default 4'h04)**
- Bits [7:6]: • Reserved

11.9.19.5 QOSC4F - CREDIT_C4_G3

- CPU Address:h566
- Bits [5:0]: • W4 - Credit register. **(Default 4'h04)**
- Bits [7:6]: • Reserved

11.9.19.6 QOSC50 - CREDIT_C5_G3

- CPU Address:h567
- Bits [5:0]: • W5 - Credit register. **(Default 5'h8)**
- Bits [7:6]: • Reserved

11.9.19.7 QOSC51- CREDIT_C6_G3

- CPU Address:h568
- Bits [5:0]: • W6 - Credit register. **(Default 5'h8)**
- Bits [7:6]: • Reserved

11.9.19.8 QOSC52- CREDIT_C7_G3

- CPU Address:h569
- Bits [5:0]: • W7 - Credit register. **(Default 5'h10)**
- Bits [7:6]: • Reserved

QOSC4B through QOSC52 represents the set of WFQ parameters (see section 7.5) for Gigabit port 3. The granularity of the numbers is 1, and their sum must be 64. QOSC4B corresponds to W0, and QOSC52 corresponds to W7.

11.9.20 Classes WFQ Credit Port G4

- Access by CPU only

11.9.20.1 QOSC53 - CREDIT_C0_G4

- CPU Address:h56A

Bits [5:0]: W0 - Credit register for WFQ. **(Default 6'h04)**

Bits [7:6]: Priority type. Define one of the four QoS mode of operation for port 4 (Default 2'00)
See table below:

Queue	P7	P6	P5	P4	P3	P2	P1	P0
Option 1 Bit [7:6] = 2'B00	DELAY BOUND						BE	
Option 2 Bit [7:6] = 2'B01	SP		DELAY BOUND			BE		
Option 3 Bit [7:6] = 2'B10	SP		WFQ					
Option 4 Bit [7:6] = 2'B11	WFQ							
Credit for WFQ - Bit [5:0]	W7	W6	W5	W4	W3	W2	W1	W0

11.9.20.2 QOSC54 - CREDIT_C1_G4

- CPU Address:h56B

Bits [7]:

- Flow control allow during WFQ scheme. **(Default 1'b1)**
 - 0 = Not support QoS when the Source port Flow control status is on.
 - 1= Always support QoS)

Bits [6]:

- Flow control BE Queue only. **(Default 1'b1)**
 - 0= DO NOT send any frames if the XOFF is on.
 - 1= the P7-P2 frames can be sent even the XOFF is ON

Bits [5:0]:

- W1 -Credit register. **(Default 4'h04)**

Fc_allow	Fc_be_only	Lost_ok	
Egress- for dest fc_status		Ingress- for src fc status	
0	0	0	Go to BE Queue if (Src FC or Des FC on) otherwise Normal
0	0	1	Go to BE Queue if (Dest FC on) otherwise Normal
1	0	0	(WFQ only) Go to BE Queue if (Src FC on) otherwise BAD
1	0	1	(WFQ only) Always Normal
X	1	0	Go to BE Queue if (Src FC on)
X	1	1	Always Normal

11.9.20.3 QOSC55 - CREDIT_C2_G4

- CPU Address:h56C
- Bits [5:0]: • W2 - Credit register. **(Default 4'h04)**
- Bits [7:6]: • Reserved

11.9.20.4 QOSC56 - CREDIT_C3_G4

- CPU Address:h56D
- Bits [5:0]: • W3 - Credit register. **(Default 4'h04)**
- Bits [7:6]: • Reserved

11.9.20.5 QOSC57 - CREDIT_C4_G4

- CPU Address:h56E
- Bits [5:0]: • W4 - Credit register. **(Default 4'h04)**
- Bits [7:6]: • Reserved

11.9.20.6 QOSC58 - CREDIT_C5_G4

- CPU Address:h56F
- Bits [5:0]: • W5 - Credit register. **(Default 5'h8)**
- Bits [7:6]: • Reserved

11.9.20.7 QOSC59- CREDIT_C6_G4

- CPU Address:h570
- Bits [5:0]: • W6 - Credit register. **(Default 5'h8)**
- Bits [7:6]: • Reserved

11.9.20.8 QOSC5A- CREDIT_C7_G4

- CPU Address:h571
- Bits [5:0]: • W7 - Credit register. **(Default 5'h10)**
- Bits [7:6]: • Reserved

QOSC53 through QOSC5A represents the set of WFQ parameters (see section 7.5) for Gigabit port 4. The granularity of the numbers is 1, and their sum must be 64. QOSC53 corresponds to W0, and QOSC5A corresponds to W7.

11.9.20.9 Classes WFQ Credit Port G5

- Access by CPU only

11.9.20.10 QOSC5B - CREDIT_C0_G5

- CPU Address:h572

- Bits [5:0]:
- W0 - Credit register for WFQ. **(Default 6'h04)**
- Bits [7:6]:
- Priority type. Define one of the four QoS mode of operation for port 5 (Default 2'00)
 - See table below:

Queue	P7	P6	P5	P4	P3	P2	P1	P0
Option 1 Bit [7:6] = 2'B00	DELAY BOUND						BE	
Option 2 Bit [7:6] = 2'B01	SP		DELAY BOUND				BE	
Option 3 Bit [7:6] = 2'B10	SP		WFQ					
Option 4 Bit [7:6] = 2'B11	WFQ							
Credit for WFQ - Bit [5:0]	W7	W6	W5	W4	W3	W2	W1	W0

11.9.20.11 QOSC5C - CREDIT_C1_G5

- CPU Address:h573

- Bits [7]:
- Flow control allow during WFQ scheme. **(Default 1'b1)**
 - 0 = Not support QoS when the Source port Flow control status is on.
 - 1= Always support QoS)
- Bits [6]:
- Flow control BE Queue only. **(Default 1'b1)**
 - 0= DO NOT send any frames if the XOFF is on.
 - 1= the P7-P2 frames can be sent even the XOFF is ON
- Bits [5:0]
- W1 - Credit register. **(Default 4'h04)**

Fc_allow	Fc_be_only	Lost_ok	
Egress- for dest fc_status		Ingress- for src fc status	
0	0	0	Go to BE Queue if (Src FC or Des FC on) otherwise Normal
0	0	1	Go to BE Queue if (Dest FC on) otherwise Normal
1	0	0	(WFQ only) Go to BE Queue if (Src FC on) otherwise BAD
1	0	1	(WFQ only) Always Normal
X	1	0	Go to BE Queue if (Src FC on)
X	1	1	Always Normal

11.9.20.12 QOSC5D - CREDIT_C2_G5

- CPU Address:h574
- Bits [5:0]: • W2 - Credit register. **(Default 4'h04)**
- Bits [7:6]: • Reserved

11.9.20.13 QOSC5E - CREDIT_C3_G5

- CPU Address:h575
- Bits [5:0]: • W3 - Credit register. **(Default 4'h04)**
- Bits [7:6]: • Reserved

11.9.20.14 QOSC5F - CREDIT_C4_G5

- CPU Address:h576
- Bits [5:0]: • W4 - Credit register. **(Default 4'h04)**
- Bits [7:6]: • Reserved

11.9.20.15 QOSC60 - CREDIT_C5_G5

- CPU Address:h577
- Bits [5:0]: • W5 - Credit register. **(Default 5'h8)**
- Bits [7:6]: • Reserved

11.9.20.16 QOSC61- CREDIT_C6_G5

- CPU Address:h578
- Bits [5:0]: • W6 - Credit register. **(Default 5'h8)**
- Bits [7:6]: • Reserved

11.9.20.17 QOSC62- CREDIT_C7_G5

- CPU Address:h579
- Bits [5:0]: • W7 - Credit register. **(Default 5'h10)**
- Bits [7:6]: • Reserved

QOSC5B through QOSC62 represents the set of WFQ parameters (see section 7.5) for Gigabit port 5. The granularity of the numbers is 1, and their sum must be 64. QOSC5B corresponds to W0, and QOSC62 corresponds to W7.

11.9.21 Classes WFQ Credit Port G6

- Access by CPU only

11.9.21.1 QOSC63 - CREDIT_C0_G6

- CPU Address:h57A

- Bits [5:0]:
- W0 - Credit register for WFQ. **(Default 6'h04)**
- Bits [7:6]:
- Priority type. Define one of the four QoS mode of operation for port 6 (Default 2'00)
 - See table below:

Queue	P7	P6	P5	P4	P3	P2	P1	P0
Option 1 Bit [7:6] = 2'B00	DELAY BOUND						BE	
Option 2 Bit [7:6] = 2'B01	SP		DELAY BOUND				BE	
Option 3 Bit [7:6] = 2'B10	SP		WFQ					
Option 4 Bit [7:6] = 2'B11	WFQ							
Credit for WFQ - Bit [5:0]	W7	W6	W5	W4	W3	W2	W1	W0

11.9.21.2 QOSC64 - CREDIT_C1_G6

- CPU Address:h57B

- Bits [7]:
- Flow control allow during WFQ scheme. **(Default 1'b1)**
 - 0 = Not support QoS when the Source port Flow control status is on.
 - 1= Always support QoS)
- Bits [6]:
- Flow control BE Queue only. **(Default 1'b1)**
 - 0= DO NOT send any frames if the XOFF is on.
 - 1= the P7-P2 frames can be sent even the XOFF is ON
- Bits [5:0]
- W1 - Credit register. **(Default 4'h04)**

Fc_allow	Fc_be_only	Lost_ok	
Egress- for dest fc_status		Ingress- for src fc status	
0	0	0	Go to BE Queue if (Src FC or Des FC on) otherwise Normal
0	0	1	Go to BE Queue if (Dest FC on) otherwise Normal
1	0	0	(WFQ only) Go to BE Queue if (Src FC on) otherwise BAD
1	0	1	(WFQ only) Always Normal
X	1	0	Go to BE Queue if (Src FC on)
X	1	1	Always Normal

11.9.21.3 QOSC65 - CREDIT_C2_G6

- CPU Address:h57C
- Bits [5:0]: • W2 - Credit register. **(Default 4'h04)**
- Bits [7:6]: • Reserved

11.9.21.4 QOSC66 - CREDIT_C3_G6

- CPU Address:h57D
- Bits [5:0]: • W3 - Credit register. **(Default 4'h04)**
- Bits [7:6]: • Reserved

11.9.21.5 QOSC67 - CREDIT_C4_G6

- CPU Address:h57E
- Bits [5:0]: • W4 - Credit register. **(Default 4'h04)**
- Bits [7:6]: • Reserved

11.9.21.6 QOSC68 - CREDIT_C5_G6

- CPU Address:h57F
- Bits [5:0]: • W5 - Credit register. **(Default 5'h8)**
- Bits [7:6]: • Reserved

11.9.21.7 QOSC69- CREDIT_C6_G6

- CPU Address:h580
- Bits [5:0]: • W6 - Credit register. **(Default 5'h8)**
- Bits [7:6]: • Reserved

11.9.21.8 QOSC6A- CREDIT_C7_G6

- CPU Address:h581
- Bits [5:0]: • W7 - Credit register. **(Default 5'h10)**
- Bits [7:6]: • Reserved

QOSC63 through QOSC6A represents the set of WFQ parameters (see section 7.5) for Gigabit port 6. The granularity of the numbers is 1, and their sum must be 64. QOSC63 corresponds to W0, and QOSC6A corresponds to W7.

11.9.22 Classes WFQ Credit Port G7

- Access by CPU only

11.9.22.1 QOSC6B - CREDIT_C0_G7

- CPU Address:h582

- Bits [5:0]: • W0 - Credit register for WFQ. **(Default 6'h04)**
- Bits [7:6]: • Priority type. Define one of the four QoS mode of operation for port 7 (Default 2'00)
- See table below:

Queue	P7	P6	P5	P4	P3	P2	P1	P0
Option 1 Bit [7:6] = 2'B00	DELAY BOUND						BE	
Option 2 Bit [7:6] = 2'B01	SP		DELAY BOUND				BE	
Option 3 Bit [7:6] = 2'B10	SP		WFQ					
Option 4 Bit [7:6] = 2'B11	WFQ							
Credit for WFQ - Bit [5:0]	W7	W6	W5	W4	W3	W2	W1	W0

11.9.22.2 QOSC6C - CREDIT_C1_G7

- CPU Address:h583

- Bits [7]: • Flow control allow during WFQ scheme. **(Default 1'b1)**
- 0 = Not support QoS when the Source port Flow control status is on.
 - 1= Always support QoS)
- Bits [6]: • Flow control BE Queue only. **(Default 1'b1)**
- 0= DO NOT send any frames if the XOFF is on.
 - 1= the P7-P2 frames can be sent even the XOFF is ON
- Bits [5:0] • W1 - Credit register. **(Default 4'h04)**

Fc_allow	Fc_be_only	Lost_ok	
Egress- for dest fc_status		Ingress- for src fc status	
0	0	0	Go to BE Queue if (Src FC or Des FC on) otherwise Normal
0	0	1	Go to BE Queue if (Dest FC on) otherwise Normal
1	0	0	(WFQ only) Go to BE Queue if (Src FC on) otherwise BAD
1	0	1	(WFQ only) Always Normal
X	1	0	Go to BE Queue if (Src FC on)
X	1	1	Always Normal

11.9.22.3 QOSC6D - CREDIT_C2_G7

- CPU Address:h584
- Bits [5:0]: • W2 - Credit register. **(Default 4'h04)**
- Bits [7:6]: • Reserved

11.9.22.4 QOSC6E - CREDIT_C3_G7

- CPU Address:h585
- Bits [5:0]: • W3 - Credit register. **(Default 4'h04)**
- Bits [7:6]: • Reserved

11.9.22.5 QOSC6F - CREDIT_C4_G7

- CPU Address:h586
- Bits [5:0]: • W4 - Credit register. **(Default 4'h04)**
- Bits [7:6]: • Reserved

11.9.22.6 QOSC70 - CREDIT_C5_G7

- CPU Address:h587
- Bits [5:0]: • W5 - Credit register. **(Default 5'h8)**
- Bits [7:6]: • Reserved

11.9.22.7 QOSC71- CREDIT_C6_G7

- CPU Address:h588
- Bits [5:0]: • W6 - Credit register. **(Default 5'h8)**
- Bits [7:6]: • Reserved

11.9.22.8 QOSC72- CREDIT_C7_G7

- CPU Address:h589
- Bits [5:0]: • W7 - Credit register. **(Default 5'h10)**
- Bits [7:6]: • Reserved

QOSC6B through QOSC72 represents the set of WFQ parameters (see section 7.5) for Gigabit port 7. The granularity of the numbers is 1, and their sum must be 64. QOSC6B corresponds to W0, and QOSC72 corresponds to W7.

11.9.23 Class 6 Shaper Control Port G0

- Accessed by CPU only

11.9.23.1 QOSC73 - TOKEN_RATE_G0

- CPU Address:h58A

Bits [7:0]: • Bytes allow to transmit every frame time (0.512usec) when regulated by Shaper logic. **(Default: 8'h08)**

11.9.23.2 QOSC74 - TOKEN_LIMIT_G0

- CPU Address:h58B

Bits [7:0]: • Bytes allow to continue transmit out when regulated by Shaper logic. (16byte/unit)
(Default: 8'hC0)

QOSC73 and QOSC74 correspond to parameters from section 7.6 on the shaper for EF traffic. QOSC73 is an integer less than 64 (average rate), with granularity 1. QOSC74 is the programmed maximum value of the counter (maximum burst size). This value is expressed in multiples of 16. QOSC73 and QOSC74 apply to Gigabit port 0. Register QOSC39-CREDIT_C6_G0 programs the peak rate. See QoS application note for more information.

11.9.23.3 Class 6 Shaper Control Port G1

- Accessed by CPU only

11.9.23.4 QOSC75 - TOKEN_RATE_G1

- CPU Address:h58C

Bits [7:0]: • Bytes allow to transmit every frame time (0.512usec) when regulated by Shaper logic.
(Default: 8'h08)

11.9.23.5 QOSC76 - TOKEN_LIMIT_G1

- CPU Address:h58D

Bits [7:0]: • Bytes allow to continue transmit out when regulated by Shaper logic. (16byte/unit)
(Default: 8'hC0)

QOSC75 and QOSC76 correspond to parameters from section 7.6 on the shaper for EF traffic. QOSC75 is an integer less than 64 (average rate), with granularity 1. QOSC76 is the programmed maximum value of the counter (maximum burst size). This value is expressed in multiples of 16. QOSC75 and QOSC76 apply to Gigabit port 0. Register QOSC41-CREDIT_C6_G1 programs the peak rate. See QoS application note for more information.

11.9.24 Class 6 Shaper Control Port G2

- Accessed by CPU only

11.9.24.1 QOSC77 - TOKEN_RATE_G2

- CPU Address:h58E

Bits [7:0]: • Bytes allow to transmit every frame time (0.512usec) when regulated by Shaper logic.
(Default: 8'h08)

11.9.24.2 QOSC78 - TOKEN_LIMIT_G2

- CPU Address:h58F

Bits [7:0]: • Bytes allow to continue transmit out when regulated by Shaper logic. (16byte/unit)
(Default: 8'hC0)

QOSC77 and QOSC78 correspond to parameters from section 7.6 on the shaper for EF traffic. QOSC77 is an integer less than 64 (average rate), with granularity 1. QOSC78 is the programmed maximum value of the counter (maximum burst size). This value is expressed in multiples of 16. QOSC77 and QOSC78 apply to Gigabit port 2. QOSC49-CREDIT_C6_G2 programs the peak rate. See QoS application note for more information.

11.9.25 Class 6 Shaper Control Port G3

- Accessed by CPU only

11.9.25.1 QOSC79 - TOKEN_RATE_G3

- CPU Address:h590

Bits [7:0]: • Bytes allow to transmit every frame time (0.512usec) when regulated by Shaper logic.
(Default: 8'h08)

11.9.25.2 QOSC7A - TOKEN_LIMIT_G3

- CPU Address:h591

Bits [7:0]: • Bytes allow to continue transmit out when regulated by Shaper logic. (16byte/unit)
(Default: 8'hC0)

QOSC79 and QOSC7A correspond to parameters from section 7.6 on the shaper for EF traffic. QOSC79 is an integer less than 64 (average rate), with granularity 1. QOSC7A is the programmed maximum value of the counter (maximum burst size). This value is expressed in multiples of 16. QOSC79 and QOSC7A apply to Gigabit port 3. QOSC51-CREDIT_C6_G3 programs the peak rate. See QoS application note for more information.

11.9.26 Class 6 Shaper Control Port G4

- Accessed by CPU only

11.9.26.1 QOSC7B - TOKEN_RATE_G4

- CPU Address:h592

Bits [7:0]: • Bytes allow to transmit every frame time (0.512usec) when regulated by Shaper logic.
(Default: 8'h08)

11.9.26.2 QOSC7C - TOKEN_LIMIT_G4

- CPU Address:h593

Bits [7:0]: • Bytes allow to continue transmit out when regulated by Shaper logic. (16byte/unit)
(Default: 8'hC0)

QOSC7B and QOSC7C correspond to parameters from section 7.6 on the shaper for EF traffic. QOSC7B is an integer less than 64, with granularity 1 (average rate). QOSC7C is the programmed maximum value of the counter (maximum burst size). This value is expressed in multiples of 16. QOSC7B and QOSC7C apply to Gigabit port 4. QOSC59-CREDIT_C6_G4 programs the peak rate. See QoS application note for more information.

11.9.27 Class 6 Shaper Control Port G5

- Accessed by CPU only

11.9.27.1 QOSC7D - TOKEN_RATE_G5

- CPU Address:h594

Bits [7:0]: • Bytes allow to transmit every frame time (0.512usec) when regulated by Shaper logic.
(Default: 8'h08)

11.9.27.2 QOSC7E - TOKEN_LIMIT_G5

- CPU Address:h595

Bits [7:0]: • Bytes allow to continue transmit out when regulated by Shaper logic. (16byte/unit)
(Default: 8'hC0)

QOSC7D and QOSC7E correspond to parameters from section 7.6 on the shaper for EF traffic. QOSC7D is an integer less than 64 (average rate), with granularity 1. QOSC7E is the programmed maximum value of the counter C1 (maximum burst size). This value is expressed in multiples of 16. QOSC7D and QOSC7E apply to Gigabit port 5. QOSC60-CREDIT_C6_G5 programs the peak rate. See QoS application note for more information.

11.9.28 Class 6 Shaper Control Port G6

11.9.28.1 Accessed by CPU only

11.9.28.2 QOSC7F - TOKEN_RATE_G6

- CPU Address:h596

Bits [7:0]: • Bytes allow to transmit every frame time (0.512usec) when regulated by Shaper logic.
(Default: 8'h08)

11.9.28.3 QOSC80 - TOKEN_LIMIT_G6

- CPU Address:h597

Bits [7:0]: • Bytes allow to continue transmit out when regulated by Shaper logic. (16byte/unit)
(Default: 8'hC0)

QOSC7F and QOSC80 correspond to parameters from section 7.6 on the shaper for EF traffic. QOSC7F is an integer less than 64 (average rate), with granularity 1. QOSC80 is the programmed maximum value of the counter C1 (maximum burst size). This value is expressed in multiples of 16. QOSC7F and QOSC80 apply to Gigabit port 6. QOSC69-CREDIT_C6_G6 programs the peak rate. See QoS application note for more information.

11.9.29 Class 6 Shaper Control Port G7

- Accessed by CPU only

11.9.29.1 QOSC81 - TOKEN_RATE_G7

- CPU Address:h598

Bits [7:0]: • Bytes allow to transmit every frame time (0.512usec) when regulated by Shaper logic.
(Default: 8'h08)

11.9.29.2 QOSC82 - TOKEN_LIMIT_G7

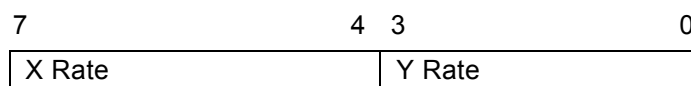
- CPU Address:h599

Bits [7:0]: • Bytes allow to continue transmit out when regulated by Shaper logic. (16byte/unit)
(Default: 8'hC0)

QOSC81 and QOSC82 correspond to parameters from section 7.6 on the shaper for EF traffic. QOSC81 is an integer less than 64 (average rate), with granularity 1. QOSC82 is the programmed maximum value of the counter C1 (maximum burst size). This value is expressed in multiples of 16. QOSC81 and QOSC82 apply to Gigabit port 7. QOSC6F-CREDIT_C6_G7 programs the peak rate. See QoS application note for more information.

11.9.30 RDRC0 - WRED Rate Control 0

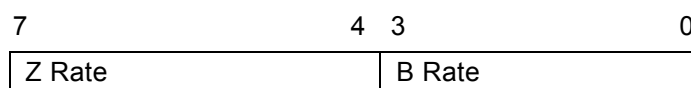
- I²C Address:h085, CPU Address:h59A
- Accessed by CPU, Serial Interface and I²C (R/W)



- Bits [7:4]: • Corresponds to the percentage X% in Chapter 7. Used for random early drop. Granularity 6.25%. **(Default: 4'h8)**
- Bits[3:0]: • Corresponds to the percentage Y% in Chapter 7. Used for random early drop. Granularity 6.25%. **(Default: 4'hE)**

11.9.31 RDRC1 - WRED Rate Control 1

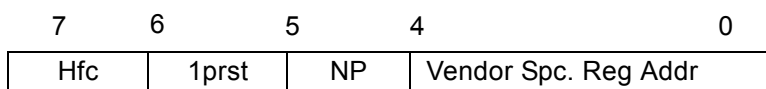
- I²C Address:h086, CPU Address:h59B
- Accessed by CPU, Serial Interface and I²C (R/W)



- Bits [7:4]: • Corresponds to the percentage Z% in Chapter 7. Used for random early drop. Granularity 6.25%. **(Default: 4'h6)**
- Bits[3:0]: • Corresponds to the best effort frame drop percentage B%, when shared pool is all in use and destination port best effort queue reaches UCC. Used for random early drop. Granularity 6.25%. **(Default: 4'h8)**

11.10 Group 6 Address**11.10.1 MISC Group****11.10.1.1 MII_OP0 - MII REGISTER OPTION 0**

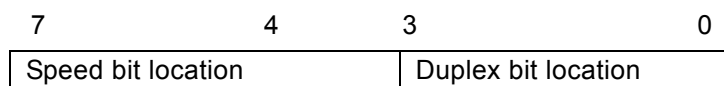
- I²C Address:h0B1, CPU Address:h600
- Accessed by CPU, serial interface and I²C (R/W)



- Bit [7]: • Half duplex flow control (Do not use half duplex mode)
0 = Half duplex flow control always enable
1 = Half duplex flow control by negotiation
- Bit[6]: • Link partner reset auto-negotiate disable
- Bit [5]: • Next page enable
1: enable
0: disable
- Bit[4:0]: • Vendor specified link status register address (null value means don't use it) **(Default 00)**

11.10.1.2 MII_OP1 - MII REGISTER OPTION 1

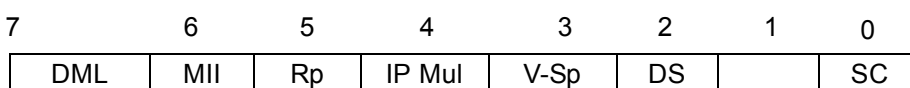
- I²C Address:0B2, CPU Address:h601
- Accessed by CPU, serial interface and I²C (R/W)



- Bits[3:0]: • Duplex bit location in vendor specified register
- Bits [7:4]: • Speed bit location in vendor specified register **(Default 00)**

11.10.1.3 FEN - FEATURE REGISTER

- I²C Address:h0B3, CPU Address:h602
- Accessed by CPU, serial interface and I²C (R/W)



- Bits [0]: • **Statistic Counter Enable (Default 0)**
- 0 - Disable
 - 1 - Enable
- When statistic counter is enable, an interrupt control frame is generated to the CPU, every time a counter wraps around. This feature requires an external CPU.
- Bits[1]: • Reserved
- Bit [2]: • **Support DS EF Code. (Default 0)**
- 0 - Disable
 - 1 - Enable (all ports)
- When 101110 is detected in DS field (TOS[7:2]), the frame priority is set for 110 and drop is set for 0.
- Bit [3]: • **Enable VLAN spanning tree support (Default 0)**
- 0 - Disable
 - 1 - Enable
- When VLAN spanning tree is enable the register ECR1Pn are not used to program the port spanning tree status. The port spanning tree status is programmed in the VLAN status field.
- Bit [4]: • **Disable IP Multicast Support (Default 1)**
- 0 - Enable IP Multicast Support
 - 1 - Disable IP Multicast Support
- When enable, IGMP packets are identified by search engine and are passed to the CPU for processing. IP multicast packets are forwarded to the IP multicast group members according to the VLAN port mapping table.
- Bit [5]: • **Enable report of new MAC and VLAN (Default 0)**
- 0 - Disable report to CPU
 - 1 - Enable report to CPU
- When disable: new VLAN port association report, new MAC address report and aging report are disable for all ports. When enable, register SE_OPEMODE is used to enable/disable selectively each function.
- Bit [6]: • **0: Enable MII Management State Machine (Default 0)**
- 1: Disable MII Management State Machine

- Bit [7]:
- 0: Enable using MCT Link List structure
 - 1: Disable using MCT Link List structure

11.10.1.4 MIIC0 - MII COMMAND REGISTER 0

- CPU Address:h603
- Accessed by CPU and serial interface only (R/W)
- Bit [7:0] MII Data [7:0]

Note: Before programming MII command: set FEN[6], check MIIC3, making sure no RDY, and no VALID; then program MII command.

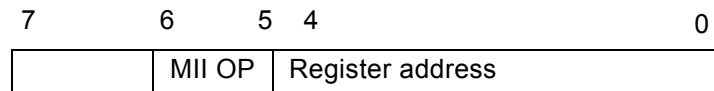
11.10.1.5 MIIC1 - MII COMMAND REGISTER 1

- CPU Address:h604
- Accessed by CPU and serial interface only (R/W)
- Bit [7:0] MII Data [15:8]

Note: Before programming MII command: set FEN[6], check MIIC3, making sure no RDY and no VALID; then program MII command.

11.10.1.6 MIIC2 - MII COMMAND REGISTER 2

- CPU Address:h605
- Accessed by CPU and serial interface only (R/W)



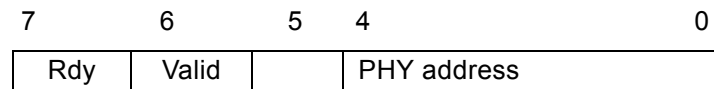
Bits [4:0]: REG_AD - Register PHY Address

Bit [6:5] OP - Operation code "10" for read command and "01" for write command

Note: Before programming MII command: set FEN[6], check MIIC3, making sure no RDY and no VALID; then program MII command.

11.10.1.7 MIIC3 - MII COMMAND REGISTER 3

- CPU Address:h606
- Accessed by CPU and serial interface only (R/W)



Bits [4:0]: PHY_AD - 5 Bit PHY Address

Bit [6] VALID - Data Valid from PHY (Read Only)

Bit [7] RDY - Data is returned from PHY (Ready Only)

Note: Before programming MII command: set FEN[6], check MIIC3, making sure no RDY and no VALID; then program MII command.

11.10.1.8 MIID0 - MII DATA REGISTER 0

- CPU Address:h607
- Accessed by CPU and serial interface only (RO)
- Bit [7:0] MII Data [7:0]

11.10.1.9 MIID1 - MII DATA REGISTER 0

- CPU Address:h608
- Accessed by CPU and serial interface only (RO)
- Bit [7:0] MII Data [15:8]

11.10.1.10 LED MODE - LED CONTROL

- I²C Address:h0B4; CPU Address:h609
- Accessed by CPU, serial interface and I²C (R/W)

7	6	5	4 3	2	1	0
lpbk		Out Pattern	Clock rate	Hold Time		

Bit[1:0] • Sample hold time(**Default 2'b00**)

2'b00- 8 msec

2'b01- 16 msec

2'b10- 32 msec

2'b11- 64 msec

Bit[3:2] • LED clock speed (serial mode) (**Default 2'b10**)

2'b00- sclk/128 2'b01- sclk/256

2'b10- sclk/1024 2'b11- sclk/2048

• LED clock speed (parallel mode) (**Default 2'b10**)

2'b00- sclk/1024 2'b01- sclk/4096

2'b10- sclk/2048 2'b11- sclk/8192

Bit[5:4] LED indicator out pattern (**Default 2'b11**)

2'b00- Normal output, LED signals go straight out, no logical combination

2'b01- 4 bi-color LED mode

2'b10- 3 bi-color LED mode

2'b11- programmable mode

1. Normal mode:

LED_BYTEOUT_[7]:Collision (COL)

LED_BYTEOUT_[6]:Full duplex (FDX)

LED_BYTEOUT_[5]:Speed[1] (SP1)

LED_BYTEOUT_[4]:Speed[0] (SP0)

LED_BYTEOUT_[3]:Link (LNK)

LED_BYTEOUT_[2]:Rx (RXD)

LED_BYTEOUT_[1]:Tx (TXD)

LED_BYTEOUT_[0]:Flow Control (FC)

2. 4 bi-color LED mode

LED_BYTEOUT_[7]:COL

LED_BYTEOUT_[6]:1000FDX

LED_BYTEOUT_[5]:1000HDX

LED_BYTEOUT_[4]:100FDX

LED_BYTEOUT_[3]:100HDX

LED_BYTEOUT_[2]:10FDX

LED_BYTEOUT_[1]:10HDX

LED_BYTEOUT_[0]:ACT

Note: All output qualified by Link signal

3. 3 bi-color LED mode:

LED_BYTEOUT_[7]:COL

LED_BYTEOUT_[6]:LNK

LED_BYTEOUT_[5]:FC

LED_BYTEOUT_[4]:SPD1000

LED_BYTEOUT_[3]:SPD100

LED_BYTEOUT_[2]:FDX

LED_BYTEOUT_[1]:HDX

LED_BYTEOUT_[0]:ACT

Note: All output qualified by Link signal

4. Programmable mode:

LED_BYTEOUT_[7]:Link

LED_BYTEOUT_[6:0]:Defined by the LEDSIG6 ~ LEDSIG0 programmable registers.

Note: All output qualified by Link signal

Bit[6]: • Reserved. Must be '0'

Bit[7]: • Enable internal loop back. When this bit is set to '1' all ports work in internal loop back mode. For normal operation must be '0'.

11.10.2 CHECKSUM - EEPROM Checksum

- I²C Address h0C5, CPU Address:h60B
- Accessed by CPU, serial interface and I²C (R/W)

Bit[7:0]: (Default 00)

11.10.3 LED User**11.10.3.1 LEDUSER0**

- I²C Address h0BB, CPU Address:h60C
- Accessed by CPU, serial interface and I²C (R/W)



Bit[7:0]: (Default 00)

Content will send out by LED serial logic

11.10.3.2 LEDUSER1

- I²C Address h0BC, CPU Address:h60D
- Accessed by CPU, serial interface and I²C (R/W)



Bit[7:0]: (Default 00)

Content will send out by LED serial logic

11.10.3.3 LEDUSER2/LEDSIG2

- I²C Address h0BD, CPU Address:h60E
- Accessed by CPU, serial interface and I²C (R/W)

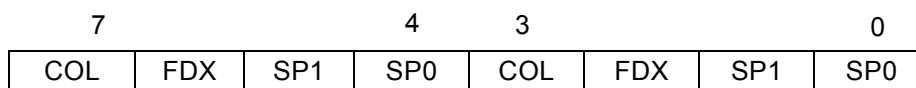
In serial mode:



Bit[7:0]: (Default 00)

Content will be sent out by LED serial shift logic

In parallel mode: this register is used for programming the LED pin - led_byteout_[2]



Bit [3:0]: (Default 4'H0)
Signal polarity:
0: not invert polarity (high true)
1: invert polarity

Bit [7:4] (Default 4'H8)
Signal Select:
0: not select
1: select the corresponding bit
When bits get selected, the led_byteout_[2] = AND (all selected bits)

11.10.3.4 LEDUSER3/LEDSIG3

- I²C Address:h0BE, CPU Address:h60F
- Access by CPU, serial interface (R/W)

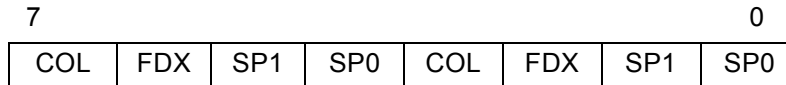
In serial mode:



Bit [7:0]: (Default 8'H33)

Content will be sent out by LED serial shift logic.

In parallel mode: this register is used for programming the LED pin - led_byteout_[3]



Bit [3:0]: (Default 4'H3)
Signal polarity:
0: not invert polarity (high true)
1: invert polarity

Bit [7:4] (Default 4'H3)
Signal Select:
0: not select
1: select the corresponding bit
When bits get selected, the led_byteout_[3] = AND (all selected bits)

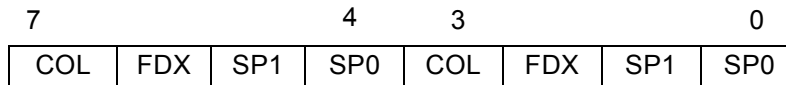
11.10.3.5 LEDUSER4/LEDSIG4

- I²C Address:h0BF, CPU Address:h610
- Access by CPU, serial interface (R/W)



Bit [7:0] (Default 8'H32)
Content will be sent out by LED serial shift logic.

In parallel mode: this register is used for programming the LED pin - led_byteout_[4]



Bit [3:0]: (Default 4'H2)
Signal polarity:
0: not invert polarity (high true)
1: invert polarity

Bit [7:4] (Default 4'H3)
Signal Select:
0: not select
1: select the corresponding bit
When bits get selected, the led_byteout_[4] = AND (all selected bits)

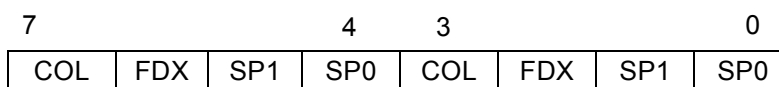
11.10.3.6 LEDUSER5/LEDSIG5

- I²C Address:h0C0, CPU Address:h611
- Access by CPU, serial interface (R/W)



Bit [7:0] (Default 8'H20)
Content will be sent out by LED serial shift logic.

In parallel mode: this register is used for programming the LED pin - led_byteout_[5]



Bit [3:0] (Default 4'H0)
Signal polarity:
0: not invert polarity (high true)
1: invert polarity

Bit [7:4] (Default 4'H2)
Signal Select:
0: not select
1: select the corresponding bit
When bits get selected, the led_byteout_[5] = AND (all selected bits)

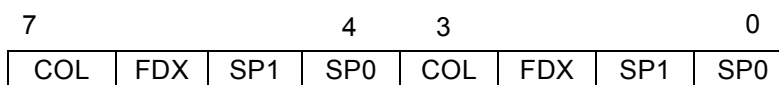
11.10.3.7 LEDUSER6/LEDSIG6

- I²C Address:h0C1, CPU Address:h612
- Access by CPU, serial interface (R/W)



Bit [7:0] (Default 8'H40)
Content will be sent out by LED serial shift logic.

In parallel mode: this register is used for programming the LED pin - led_byteout_[6]



Bit [3:0] (Default 4'B0000)
Signal polarity:
0: not invert polarity (high true)
1: invert polarity

Bit [7:4] (Default 4'b0100)
Signal Select:
0: not select
1: select the corresponding bit
When bits get selected, the led_byteout_[6] = AND (all selected bits), or the polarity of led_byteout_[6] is controlled by LEDSIG1_0[3]

11.10.3.8 LEDUSER7/LEDSIG1_0

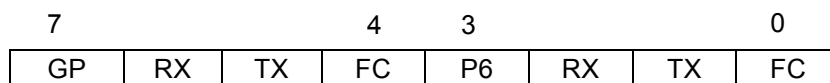
- I²C Address:h0C2, CPU Address:h613
- Access by CPU, serial interface (R/W)



Bit [7:0] (Default 8'H61)

Content will be sent out by LED serial shift logic.

In parallel mode: this register is used for programming the LED pin - led_byteout_[2]



Bit [7] (Default 1'B0)

Global output polarity: this bit controls the output polarity of all led_byteout_ and led_port_sel pins.
 0: no invert polarity - (led_byteout_[7:0] are high activated, led_port_sel[9:0] are low activated)
 1: invert polarity - (led_byteout_[7:0] are low activated, led_port_sel[9:0] are high activated)

Bit [6:4] (Default 3'B110)

Signal Select:

0: not select

1: select the corresponding bit

When bits get selected, the led_byteout_[6] = OR (all selected bits)

Bit[3] (Default 1'B0)

Polarity control of led_byteout_[6]

0: not invert

1: invert

Bit [2:0] (Default 3'b001)

Signal Select:

0: not select

1: select the corresponding bit

When bits get selected, the led_byteout_[0] = OR (all selected bits)

11.10.4 MIINP0 - MII Next Page Data Register 0

- I²C Address:h0C3, CPU Address:h614
- Access by CPU and serial interface only (R/W)

Bit [7:0] MII next page Data [7:0]

11.10.5 MIINP1 - MII Next Page Data Register 1

- I²C Address:h0C4, CPU Address:h615
- Access by CPU and serial interface only (R/W)

Bit [7:0] MII next page Data [15:8]

11.11 Group F Address

11.11.1 CPU Access Group

11.11.1.1 GCR-GLOBAL CONTROL REGISTER

- CPU Address: hF00
- Accessed by CPU and serial interface. (R/W)

7	5	4	3	2	1	0
		Init	Reset	Bist	SR	SC

- Bit [0]: Store configuration (**Default = 0**)
Write '1' followed by '0' to store configuration into external EEPROM
- Bit[1]: Store configuration and reset (**Default = 0**)
Write '1' to store configuration into external EEPROM and reset chip
- Bit[2]: Start BIST (**Default = 0**)
Write '1' followed by '0' to start the device's built-in self-test. The result is found in the DCR register.
- Bit[3]: Soft Reset (**Default = 0**)
Write '1' to reset the chip
- Bit[4]: Initialization Done (**Default = 0**)
This bit is meaningless when CPU is not installed. In managed mode, CPU write this bit with "1" to indicate initialization is completed and ready to forward packets.
1 - initialization is done
0 - initialization is not completed.
- Bit[7] Interrupt Polarity (**Default = 0**)
1 - interrupt active high
0 - interrupt active low

11.11.1.2 DCR-DEVICE STATUS AND SIGNATURE REGISTER

- CPU Address: hF01
- Accessed by CPU and serial interface. (RO)

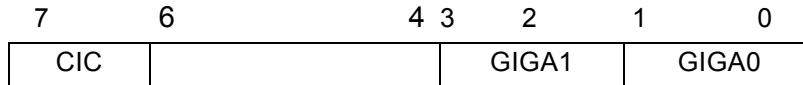
7	6	5	4	3	2	1	0
Revision	Signature		RE	BinP	BR	BW	

- Bit [0]: 1 - Busy writing configuration to I²C
0 - Not Busy writing configuration to I²C
- Bit[1]: 1 - Busy reading configuration from I²C
0 - Not Busy reading configuration from I²C
- Bit[2]: 1 - BIST in progress
0 - BIST not running
- Bit[3]: 1 - RAM Error
0 - RAM OK
- Bit[5:4]: Device Signature
00 - 4 Ports Device, non-management mode
01 - 8 Ports Device, non-management mode
10 - 4 Ports Device, management mode possible (need to install CPU)
11 - 8 Ports Device, management mode possible (need to install CPU)

Bit [7:6]: Revision

11.11.1.3 DCR01-GIGA PORT STATUS

- CPU Address: hF02
- Accessed by CPU and serial interface. (RO)



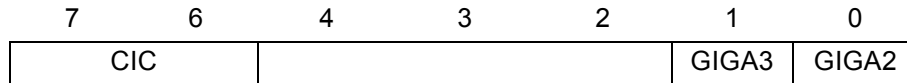
Bit [1:0]: Giga port 0 strap option
 - 00 - 100Mb MII mode
 - 01 - 2G mode
 - 10 - GMII
 - 11 - PCS

Bit[3:2] Giga port 1 strap option
 - 00 - 100Mb MII mode
 - 01 - Reserved
 - 10 - GMII
 - 11 - PCS

Bit [7] Chip initialization completed.
Note: DCR01[7], DCR23[7], DCR45[7] and DCR67[7] have the same function.

11.11.1.4 DCR23-GIGA PORT STATUS

- CPU Address: hF03
- Accessed by CPU and serial interface. (RO)



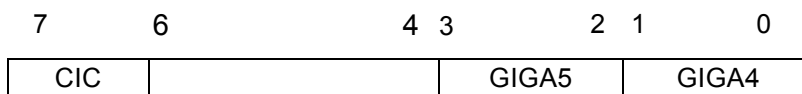
Bit [1:0]: Giga port 2 strap option- 00 - 100Mb MII mode
 - 00 - 100Mb MII mode
 - 01 - Reserved
 - 10 - GMII
 - 11 - PCS

Bit[3:2] Giga port 3 strap option
 - 00 - 100Mb MII mode
 - 01 - 2G mode
 - 10 - GMII
 - 11 - PCS

Bit [7] Chip initialization completed

11.11.1.5 DCR45-GIGA PORT STATUS

- CPU Address: hF04
- Accessed by CPU and serial interface. (RO)



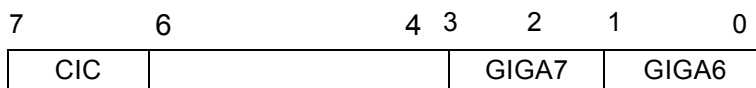
Bit [1:0]: Giga port 4 strap option
 - 00 - 100Mb MII mode
 - 01 - Reserved
 - 10 - GMII
 - 11 - PCS

Bit[3:2] Giga port 5 strap option
 - 00 - 100Mb MII mode
 - 01 - 2G mode
 - 10 - GMII
 - 11 - PCS

Bit [7] Chip initialization completed

11.11.1.6 DCR67-GIGA PORT STATUS

- CPU Address: hF05
- Accessed by CPU and serial interface. (RO)



Bit [1:0]: Giga port 6 strap option
 - 00 - 100Mb MII mode
 - 01 - 2G mode
 - 10 - GMII
 - 11 - PCS

Bit[3:2] Giga port 7 strap option
 - 00 - 100Mb MII mode
 - 01 - Reserved
 - 10 - GMII
 - 11 - PCS

Bit [7] Chip initialization completed

11.11.1.7 DPST - DEVICE PORT STATUS REGISTER

- CPU Address:hF06
 - Accessed by CPU and serial interface (R/W)
- Bit[2:0]: Read back index register. This is used for selecting what to read back from DTST.
(Default 00)
- 3'B000 - Port 0 Operating mode and Negotiation status
 - 3'B001 - Port 1 Operating mode and Negotiation status
 - 3'B010 - Port 2 Operating mode and Negotiation status
 - 3'B011 - Port 3 Operating mode and Negotiation status
 - 3'B100 - Port 4 Operating mode and Negotiation status
 - 3'B101 - Port 5 Operating mode and Negotiation status
 - 3'B110 - Port 6 Operating mode and Negotiation status
 - 3'B111 - Port 7 Operating mode and Negotiation status

11.11.1.8 DTST - Data Read Back Register

- CPU Address: hF07
- Accessed by CPU and serial interface (RO)

7	6	5	4	3	2	1	0
MD	InfoDet	SigDet	Giga	Inkdn	FE	Fdpx	Fc_en

This register provides various internal information as selected in DPST bit[2:0]

- Bit[0]: Flow control enabled
- Bit[1]: Full duplex port
- Bit[2]: Fast ethernet port (if not giga)
- Bit[3]: Link is down
- Bit[4]: GIGA port
- Bit[5]: Signal detect (when PCS interface mode)
- Bit[6]: Pipe signal detected (pipe mode only)
- Bit[7]: Module detected (for hot swap purpose)

12.0 BGA and Ball Signal Description

12.1 BGA Views (Top-View)

	1	2	3	4	5	6	7	8	9	10	11	12	13	14	15	16	17	18	19	20	21	22	23	24	25	26	27	28	29	30	
A	AVDD	NC9	SCAN_EN	LB_D[0]	LB_D[4]	LB_D[5]	LB_D[10]	LB_D[16]	LB_D[19]	LB_D[26]	LB_D[31]	LB_D[32]	LB_D[36]	LB_D[40]	LB_D[45]	S_CLK	LB_D[60]	LB_A[3]	LB_A[7]	LB_A[11]	LB_A[15]	B_A[16]	B_A[12]	B_A[7]	B_A[2]	B_OE#	B_D[27]	B_D[26]	NC4	NC3	
B	DEV_CF[0]	LA_D[0]	NC7	LB_D[1]	LB_D[3]	LB_D[6]	LB_D[12]	LB_D[17]	LB_D[20]	LB_D[28]	LB_CS0#	LB_D[33]	LB_D[37]	LB_D[41]	LB_D[47]	LB_D[54]	LB_D[58]	LB_D[62]	LB_A[6]	LB_A[10]	LB_A[13]	B_A[17]	B_A[13]	B_A[8]	B_A[3]	B_WE#	B_D[30]	DEV_CF[1]	NC5	B_D[25]	
C	LA_D[1]	LA_CLK	LA_D[3]	NC6	LB_D[2]	LB_D[8]	LB_D[15]	LB_D[18]	LB_D[21]	L_D[29]	LB_RW#	LB_D[34]	LB_D[39]	LB_D[43]	LB_BD[2]	LB_D[52]	LB_D[57]	LB_D[61]	LB_A[4]	LB_A[8]	LB_A[12]	B_A[18]	B_A[14]	B_A[11]	B_A[5]	B_A[4]	B_D[28]	AVDD	B_CLK	B_D[22]	
D	LA_D[2]	LA_D[5]	LA_D[9]	NC8	LB_CLK	LB_D[9]	LB_D[13]	LB_D[23]	LB_D[22]	LB_D[24]	LB_D[25]	LB_D[35]	LB_D[42]	LB_D[44]	LB_D[50]	LB_D[51]	LB_D[55]	LB_D[63]	LB_A[14]	LB_A[18]	LB_A[19]	B_A[9]	B_A[10]	B_ADSC#	NC2	B_D[29]	B_D[24]	B_D[18]	B_D[21]		
E	LA_D[8]	LA_D[7]	LA_D[6]	LA_D[4]	AGND	LB_D[7]	LB_D[14]	LB_D[11]	LB_D[27]	LB_D[30]	LB_CS1#	LB_D[38]	LB_D[46]	LB_D[49]	LB_D[53]	LB_D[56]	LB_D[59]	LB_A[5]	LB_A[9]	LB_A[17]	LB_A[20]	B_A[15]	B_A[6]	B_D[31]	AGND	B_D[17]	B_D[23]	B_D[19]	B_D[16]	B_D[14]	
F	LA_D[10]	LA_D[11]	LA_D[12]	LA_D[13]	LA_D[14]	VSS	VSS		VDD	VDD		VCC	VCC	VCC	VSS	VSS	VCC	VCC	VCC		VDD	VDD		VSS	VSS	NC1	B_D[9]	B_D[10]	B_D[11]	B_D[12]	
G	LA_D[15]	LA_D[16]	LA_D[19]	LA_D[18]	LA_D[17]	VDD																			VDD	B_D[20]	B_D[4]	B_D[3]	B_D[6]	B_D[7]	
H	LA_D[20]	LA_D[21]	LA_D[22]	LA_D[23]	LA_D[24]																						B_D[15]	B_D[8]	P_INT#	B_D[1]	B_D[2]
J	LA_D[23]	LA_D[25]	LA_D[26]	LA_D[27]	LA_D[31]	VDD																			VDD	B_D[13]	P_A[1]	P_A[2]	P_WE#	P_RD#	
K	LA_D[28]	LA_D[30]	LA_CS0#	LA_D[37]	LA_D[33]	VDD																			VDD	B_D[5]	P_D[15]	P_D[11]	P_D[12]	P_D[13]	
L	LA_CS1#	LA_RW#	LA_D[32]	LA_D[46]	LA_D[41]																						P_CS#	P_D[14]	P_D[7]	P_D[8]	P_D[10]
M	LA_D[34]	LA_D[35]	LA_D[36]	LA_D[53]	LA_D[48]	VCC																			VCC	P_A[0]	B_D[0]	P_D[3]	P_D[4]	P_D[5]	
N	LA_D[38]	LA_D[40]	LA_D[42]	LA_D[61]	LA_D[56]	VCC																			VCC	P_D[6]	P_D[9]	P_D[0]	P_D[1]	P_D[2]	
P	LA_D[43]	LA_D[44]	LA_D[45]	LA_A[4]	LA_D[39]	VCC																			VCC	T_D[15]	T_D[11]	T_D[12]	T_D[13]	T_D[14]	
R	LA_D[49]	LA_D[50]	LA_D[51]	LA_D[52]	LA_D[47]	VSS																			VSS	T_D[10]	T_D[5]	T_D[7]	T_D[8]	T_D[9]	
T	LA_D[58]	LA_D[57]	LA_D[55]	LA_D[54]	LA_A[7]	VSS																			VSS	T_D[6]	T_D[4]	T_D[2]	T_D[1]	T_D[0]	
U	LA_D[63]	LA_D[62]	LA_D[60]	LA_D[59]	LA_A[11]	VCC																			VCC	S_RST#	T_D[3]	TMODE[1]	TMODE[0]	RESOU_T#	
V	LA_A[6]	LA_A[5]	LA_A[3]	LA_A[14]	LA_A[18]	VCC																			VCC	G7_RX_D[7]	G7_RX_ER	LESYNO#	LE_CLK_0	LE_DO	
W	LA_A[10]	LA_A[9]	LA_A[8]	LA_A[20]	G0_TXD[1]	VCC																			VCC	G7_RX_D[3]	G7_RXD[1]	G7_RXD_V	G7_RXD[6]	G7_RXD[5]	
Y	LA_A[15]	LA_A[13]	LA_A[12]	G0_CRS_L	G0_TXD[4]																						G7_TXD[6]	G7_TX_EN	G7_RXD[2]	G7_RXD[0]	
AA	LA_A[19]	LA_A[17]	LA_A[16]	GREFC[0]	G0_TXD[7]	VDD																			VDD	G7_TXD[0]	G7_TXD[3]	G7_COL	G7_RXC_LK	MIITXCK[7]	
AB	MIITXCK[0]	G0_TXD[2]	G0_TXD[0]	G0_TXC_LK	G0_TX_ER	VDD																			VDD	G6_RX_D[7]	G7_TX_ER	G7_TXD[7]	G7_TXD[5]	G7_TXD[4]	
AC	G0_RXC_LK	G0_TXD[5]	G0_TXD[3]	G0_RXD[2]	G0_RXD[6]																						G6_RXD[2]	G6_RXD[4]	G7_TXD[2]	G7_TXD[1]	G7_CRS_L
AD	G0_RXD[0]	G0_TX_ER	G0_CO_L	G0_TXD[6]	G0_RX_DV	VSS																			VDD	G6_RX_D[0]	G6_RX_ER	G7_TXC_LK	GREFC[7]	G6_RX_DV	
AE	G0_RXD[5]	G0_RXD[4]	G0_RXD[3]	G0_RXD[1]	G1_TXD[0]	VSS	VDD		VDD	VDD		VCC	VCC	VCC	VSS	VSS	VCC	VCC	VCC		VDD	VDD		VSS	VSS	G6_TXD[7]	G6_RXD[6]	G6_RXD[5]	G6_RXD[3]	G6_RXD[1]	
AF	G0_RXD[7]	G0_RX_ER	GREFC[1]	G1_RXD[5]	G1_RXD[0]	G1_RXD[7]	G2_TXD[0]	G2_TXD[7]	G2_RXD[2]	G2_RXD[4]	G2_RXD[5]	G2_RXD[1]	G3_TXD[6]	G3_COL	G3_RXD[3]	G3_RXD[6]	IND_CM[4]	G3_RXD_ER	G4_TXD[3]	G4_RXD[1]	G4_RXD[4]	G5_TXD[2]	G5_TXD[4]	G5_TX_ER	G5_RXD[5]	G6_RXC_LK	G6_TXD[6]	G6_COL	G6_TX_ER		
AG	G1_TXD[1]	G1_TXC_LK	G1_CRS_L	G1_TXD[7]	G2_TXC_LK	G1_RXD[4]	G2_TXD[4]	G2_TXD[9]	G2_RXD[3]	G2_RXC_LK	G2_RXD[7]	G2_RX_ER	G3_TX_ER	G3_RXD[0]	G3_RXD[5]	G3_RXD[7]	GREFC[4]	M_MDIO	G4_TXD[1]	G4_RXD[5]	G4_RXD[6]	G4_RXD[7]	G5_CRS_L	G5_TXD[5]	MIITXCK[5]	G5_RXD[1]	G5_RXD[3]	G6_TXD[4]	G6_TX_ER	G6_TXD[5]	
AH	G1_TXD[2]	G1_TXD[3]	MIITXCK[1]	G1_RXD[0]	G1_RXC_LK	G2_CRS_L	MIITXCK[2]	G2_TX_ER	G2_RXD[1]	G2_RX_DV	G3_TXC_LK	G3_TXD[3]	G3_TXD[5]	G3_RXC_LK	G3_RXD[2]	G3_RX_DV	G4_TXC_LK	G4_TXD[4]	G4_TXD[6]	G4_TX_ER	G4_RXC_LK	G4_RX_DV	G4_RX_ER	G5_TXD[3]	G5_TX_ER	G5_RXD[3]	G5_RXD[6]	G6_TXD[1]	G6_TXD[2]	G6_TXC_LK	
AJ	G1_TXD[5]	G1_TXD[4]	G1_TX_ER	G1_CO_L	G1_RXD[6]	GREFC[2]	G2_TXD[2]	G2_TXD[6]	G2_RXD[0]	G2_RXD[6]	GREFC[3]	G3_TXD[2]	MIITXCK[3]	G3_TX_ER	G3_RXD[1]	M_MDC	G4_TXD[0]	G4_TXD[5]	G4_TXD[7]	G4_RXD[0]	G4_CO_L	GREFC[5]	G5_TXD[0]	G5_TXD[6]	G5_RXD[0]	G5_COL	G5_RXD[4]	G5_RX_ER	G6_CRS_L	G6_TXD[0]	
AK	G1_TXD[6]	G1_TX_ER	G1_RXD[1]	G1_RXD[3]	G1_RX_DV	G1_RX_ER	G2_TXD[1]	G2_TXD[5]	G2_TX_ER	G2_CO_L	G3_CRS_L	G3_TXD[0]	G3_TXD[4]	G3_TXD[7]	CM_CLK	G4_CRS_L	G4_TXD[2]	MIITXCK[4]	G4_TX_ER	G4_RXD[2]	G4_RXD[3]	G5_TXC_LK	G5_TXD[1]	G5_TXD[7]	G5_RXD[2]	G5_RXC_LK	G5_RXD[7]	G5_RX_DV	MIITXCK[6]	GREFC[6]	

12.2 Ball-Signal Descriptions

All pins are CMOS type; all Input pins are 5 Volt tolerance, and all output pins are 3.3 CMOS drive.

12.2.1 Ball Signal Description in Managed Mode

Ball No(s)	Symbol	I/O	Description
CPU Bus Interface			
K27, L27, K30, K29, K28, L30, N27, L29, L28, N26, M30, M29, M28, N30, N29, N28	P_DATA[15:0]	I/O-TS with pull up	Processor Bus Data Bit [15:0]
J28, J27, M26	P_A[2:0]	Input	Processor Bus Address Bit [2:0]
J29	P_WE#	Input with weak internal pull up	CPU Bus-Write Enable
J30	P_RD#	Input with weak internal pull up	CPU Bus-Read Enable
L26	P_CS#	Input with weak internal pull up	Chip Select
H28	P_INT#	Output	CPU Interrupt
Frame Buffer Interface			
U1, U2, N4, U3, U4, T1, T2, N5, T3, T4, M4, R4, R3, R2, R1, M5, R5, L4, P3, P2, P1, N3, L5, N2, P5, N1, K4, M3, M2, M1, K5, L3, J5, K2, H4, K1, J4, J3, J2, H5, J1, H3, H2, H1, G3, G4, G5, G2, G1, F5, F4, F3, F2, F1, D3, E1, E2, E3, D2., E4, C3, D1, C1, B2	LA_D[63:0]	I/O-TS with pull up	Frame Bank A- Data Bit [63:0]
AA1, V5, AA2, AA3, Y1, V4, Y2, Y3, U5, W1, W2, W3, T5, V1, V2, P4, V3	LA_A[19:3]	Output	Frame Bank A - Address Bit [19:3]
W4	LA_A[20]	Output with pull up	Frame Bank A - Address Bit [20]
C2	LA_CLK	Output	Frame Bank A Clock Input
K3	LA_CS0#	Output with pull up	Frame Bank A Low Portion Chip Selection
L1	LA_CS1#	Output with pull up	Frame Bank A High Portion Chip Selection
L2	LA_RW#	Output with pull up	Frame Bank A Read/Write

Ball No(s)	Symbol	I/O	Description
CPU Bus Interface			
D18, B18, C18, A17, E17, B17, C17, E16, D17, B16, E15, C16, D16, D15, E14, C15, B15, E13, A15, D14, C14, D13, B14, A14, C13, E12, B13, A13, D12, C12, B12, A12, A11, E10, C10, B10, E9, A10, D11, D10, D8, D9, C9, B9, A9, C8, B8, A8, C7, E7, D7, B7, E8, A7, D6, C6, E6, B6, A6, A5, B5, C5, B4, A4	LB_D[63:0]	I/O-TS with pullup	Frame Bank B- Data Bit [63:0]
D22, D20, E20, D21, A21, D19, B21, C21, A20, B20, E19, C20, A19, B19, E18, C19, A18	LB_A[19:3]	Output	Frame Bank B - Address Bit [19:3]
E21	LB_A[20]	Output with pull up	Frame Bank B - Address Bit [20]
D5	LB_CLK	Output	Frame Bank B Clock Input
B11	LB_CS0#	Output with pull up	Frame Bank B Low Portion Chip Selection
E11	LB_CS1#	Output with pull up	Frame Bank B High Portion Chip Selection
C11	LB_RW#	Output with pull up	Frame Bank B Read/Write
Switch Database Interface			
E24, B27, D27, C27, A27, A28, B30, D28, E27, C30, D30, G26, E28, D29, E26, E29, H26, E30, J26, F30, F29, F28, F27, H27, G30, G29, K26, G27, G28, H30, H29, M27	B_D[31:0]	I/O-TS with pull up	Switch Database Domain - Data Bit [31:0]
C22, B22, A22, E22, C23, B23, A23, C24, D24, D23, B24, A24, E23, C25, C26, B25, A25	B_A[18:2]	Output	Switch Database Address (512K) - Address Bit [18:2]
C29	B_CLK	Output	Switch Database Clock Input
D25	B_ADSC#	Output with pull up	Switch Database Address Status Control
B26	B_WE#	Output with pull up	Switch Database Write Chip Select
A26	B_OE#	Output with pull up	Switch Database Read Chip Select
MII Management Interface			
AJ16	M_MDC	Output	MII Management Data Clock - (common for all MII Ports [7:0])

Ball No(s)	Symbol	I/O	Description
CPU Bus Interface			
AG18	M_MDIO	I/O-TS with pull up	MII Management Data I/O - (common for all MII Ports -[7:0])) 2.5Mhz
GMII / MII Interface (193) Gigabit Ethernet Access Port			
AD29, AK30, AJ22, AG17, AJ11, AJ6, AF3,AA4	GREF_CLK [7:0]	Input w/ pull up	Giga Reference Clock
AK15	CM_CLK	Input w/ pull up	Common Clock shared by port G[7:0]
AF17	IND/CM	Input w/ pull up	1: select GREF_CLK[7:0] as clock 0: select CM_CLK as clock for all ports
AA30, AK29, AG25, AK18, AJ13, AH7, AH3, AB1	MII TX CLK[7:0]	Input w/ pull up	Input w/ pull up
V26, W29, W30, Y28, W26, Y29, W27, Y30, AB26, AE27, AE28, AC27, AE29, AC26, AE30, AD26 AK27, AH27, AF26, AJ27, AH26, AK25, AG26, AJ25 AG22, AG21, AG20, AF22, AK21, AK20, AF21, AJ20 AG16, AF16, AG15, AF18, AF15, AH15, AJ15, AG14 AG11, AJ10, AF11, AF10, AG9, AF9, AH9, AJ9 AF6, AJ5, AF5, AG6, AK4, AF4, AK3, AH4 AF1, AC5, AE1, AE2, AE3, AC4, AE4, AD1	G7_RXD[7:0] G6_RXD[7:0] G5_RXD[7:0] G4_RXD[7:0] G3_RXD[7:0] G2_RXD[7:0] G1_RXD[7:0] G0_RXD[7:0]	Input w/ pull up	G[7:0] port - Receive Data Bit [7:0]
W28, AD30, AK28, AH22, AH16, AH10, AK5, AD5	G[7:0]_RX_DV	Input w/ pull down	G[7:0]port - Receive Data Valid
V27, AD27, AJ28, AH23, AF19, AG12, AK6, AF2	G[7:0]_RX_ER	Input w/ pull up	G[7:0]port - Receive Error
AC30, AJ29, AG23, AK16, AK11, AH6, AG3, Y4	G[7:0]_CRS/LI NK	Input w/ pull down	G[7:0]port - Carrier Sense

Ball No(s)	Symbol	I/O	Description
CPU Bus Interface			
AA28, AF29, AJ26, AJ21, AF14, AK10, AJ4, AD3	G[7:0]_COL	Input w/ pull up	G[7:0]port - Collision Detected
AA29, AF27, AK26, AH21, AH14, AG10, AH5, AC1	G[7:0]_RXCLK	Input w/ pull up	G[7:0]port - Receive Clock
AB28, Y26, AB29, AB30, AA27, AC28, AC29, AA26	G7_TXD[7:0]	Output	G[7:0]port - Transmit Data Bit [7:0]
AE26, AF28, AG30, AG28, AG27, AH29, AH28, AJ30	G6_TXD[7:0]		
AK24, AJ24, AG24, AF24, AH24, AF23, AK23, AJ23	G5_TXD[7:0]		
AJ19, AH19, AJ18, AH18, AF20, AK17, AG19, AJ17	G4_TXD[7:0]		
AK14, AF13, AH13, AK13, AH12, AJ12, AF12, AK12	G3_TXD[7:0]		
AF8, AJ8, AK8, AG7, AG8, AJ7, AK7, AF7	G2_TXD[7:0]		
AG4, AK1, AJ1, AJ2, AH2, AH1, AG1, AE5	G1_TXD[7:0]		
AA5, AD4, AC2, Y5, AC3, AB2, W5, AB3	G0_TXD[7:0]		
Y27, AG29, AH25, AK19, AG13, AH8, AK2, AD2	G[7:0]_TX_EN	Output w/ pull up	G[7:0]port - Transmit Data Enable
AB27, AF30, AF25, AH20, AJ14, AK9, AJ3, AB5	G[7:0]_TX_ER	Output w/ pull up	G[7:0]port - Transmit Error
AD28, AH30, AK22, AH17, AH11, AG5, AG2, AB4	G[7:0]_TXCLK	Output	G[7:0]port - Gigabit Transmit Clock
PMA Interface (193) Gigabit Ethernet Access Port (PCS)			
AD29, AK30, AJ22, AG17, AJ11, AJ6, AF3,AA4	GREF_CLK [7:0]	Input w/ pull up	Gigabit Reference Clock
AK15	CM_CLK	Input w/ pull up	Common Clock shared by port G[7:0]
AF17	IND/CM	Input w/ pull up	I: select GREF_CLK[7:0] as clock 0: select CM_CLK as clock for all port

Ball No(s)	Symbol	I/O	Description
CPU Bus Interface			
V26, W29, W30, Y28, W26, Y29, W27, Y30	G7_RXD[7:0]	Input w/ pull up	G[7:0]port - PMA Receive Data Bit [7:0]
AB26, AE27, AE28, AC27, AE29, AC26, AE30, AD26	G6_RXD[7:0]		
AK27, AH27, AF26, AJ27, AH26, AK25, AG26, AJ25	G5_RXD[7:0]		
AG22, AG21, AG20, AF22, AK21, AK20, AF21, AJ20	G4_RXD[7:0]		
AG16, AF16, AG15, AF18, AF15, AH15, AJ15, AG14	G3_RXD[7:0]		
AG11, AJ10, AF11, AF10, AG9, AF9, AH9, AJ9	G2_RXD[7:0]		
AF6, AJ5, AF5, AG6, AK4, AF4, AK3, AH4	G1_RXD[7:0]		
AF1, AC5, AE1, AE2, AE3, AC4, AE4, AD1	G0_RXD[7:0]		
W28, AD30, AK28, AH22, AH16, AH10, AK5, AD5	GP[7:0]_RX_D [8]	Input w/ pull down	G[7:0]port - PMA Receive Data Bit [8]
V27, AD27, AJ28, AH23, AF19, AG12, AK6, AF2	GP[7:0]_RX_D [9]	Input w/ pull up	G[7:0]port - PMA Receive Data Bit [9]
AA28, AF29, AJ26, AJ21, AF14, AK10, AJ4, AD3	GP[7:0]_ RXCLK 1	Input w/ pull up	G[7:0]port - PMA Receive Clock 1
AA29, AF27, AK26, AH21, AH14, AG10, AH5, AC1	GP[7:0]_RXCL K0	Input w/ pull up	G[7:0]port - PMA Receive Clock 0

Ball No(s)	Symbol	I/O	Description
CPU Bus Interface			
AB28, Y26, AB29, AB30, AA27, AC28, AC29, AA26	G7_TXD[7:0]	Output	G[7:0]port - PMA Transmit Data Bit [7:0]
AE26, AF28, AG30, AG28, AG27, AH29, AH28, AJ30	G6_TXD[7:0]		
AK24, AJ24, AG24, AF24, AH24, AF23, AK23, AJ23	G5_TXD[7:0]		
AJ19, AH19, AJ18, AH18, AF20, AK17, AG19, AJ17	G4_TXD[7:0]		
AK14, AF13, AH13, AK13, AH12, AJ12, AF12, AK12	G3_TXD[7:0]		
AF8, AJ8, AK8, AG7, AG8, AJ7, AK7, AF7	G2_TXD[7:0]		
AG4, AK1, AJ1, AJ2, AH2, AH1, AG1, AE5	G1_TXD[7:0]		
AA5, AD4, AC2, Y5, AC3, AB2, W5, AB3	G0_TXD[7:0]		
Y27, AG29, AH25, AK19, AG13, AH8, AK2, AD2	GP[7:0]_TXD[8]	Output w/ pull up	G[7:0]port - PMA Transmit Data Bit [8]
AB27, AF30, AF25, AH20, AJ14, AK9, AJ3, AB5	GP[7:0]_TXD[9]	Output w/ pull up	G[7:0]port - PMA Transmit Data Bit [9]
AD28, AH30, AK22, AH17, AH11, AG5, AG2, AB4	G[7:0]_TXCLK	Output	G[7:0]port - PMA Gigabit Transmit Clock
Test Facility (3)			
U29	T_MODE0	I/O-TS with pull up	Test - Set upon Reset, and provides NAND Tree test output during test mode Use external Pull up for normal operation
U28	T_MODE1	I/O-TS with pull up	Test - Set upon Reset, and provides NAND Tree test output during test mode Use external Pull up for normal operation
A3	SCAN_EN	Input w/ pull down	Enable test mode For normal operation leave it open

Ball No(s)	Symbol	I/O	Description
CPU Bus Interface			
LED Interface (serial and parallel)			
R28, T26, R27, T27, U27, T28, T29, T30	T_D[7:0]/ LED_PD[7:0]	Output	While resetting, T_D[7,0] are in input mode and are used as strapping pins. Internal pullup LED_PD - Parallel Led data [7:0]
P26, P30, P29, P28, P27, R26, R30, R29	T_D[15:8]/ LED_PT[7:0]	Output	While resetting, T_D[15:8] are in input mode and are used as strapping pins. Internal pullup LED_PR[7:0] - Parallel Led port sel [7:0]
V29	LED_CLK0/ LED_PT[8]	Output	LED_CLK0 - LED Serial Interface Output Clock LED_PT[8] - Parallel Led port sel [8]
V30	LED_BLINK/ LED_DO/ LED_PT[9]	Output	While resetting, LED-BLINK is in input mode and is used as strapping pin. 1: No Blink, 0: Blink. Internal pullup. LED_DO - LED Serial Data Output Stream LED_PT[9] - Parallel Led port sel [9]
V28	LED_PM/ LED_SYNCO#	Output w/ pull up	While resetting, LED_PM is in input mode and is used as strapping pin. Internal pull up. 1: Enable parallel interface, 0: enable serial interface. LED_SYNCO# - LED Output Data Stream Envelop
System Clock, Power, and Ground Pins			
A16	S_CLK	Input	System Clock at 133 MHz
U26	S_RST#	Input - ST	Reset Input
U30	RESOUT#	Output	Reset PHY
B1	DEV_CFG[0]	Input w/ pull down	Not used
B28	DEV_CFG[1]	Input w/ pull down	Not used
AE7, AE9, F10, F21, F22, F9, G25, G6, J25, J6, K25, K6, AA25, AA6, AB25, AB6, AD25, AE10, AE21, AE22	VDD	Power core	+2.5 Volt DC Supply

Ball No(s)	Symbol	I/O	Description
CPU Bus Interface			
V14, V15, V16, V17, V18, F16, F24, F25, F6, F7, N13, N14, N15, N16, N17, N18, P13, P14, P15, P16, P17, P18, R13, R14, R15, R16, R17, R18, R25, R6, T13, T14, T15, T16, T17, T18, T25, T6, U13, U14, U15, U16, U17, U18, V13, AD6, AE15, AE16, AE24, AE25, AE6, F15	VSS	Ground	Ground
A1, C28	AVDD	Power	Analog +2.5 Volt DC Supply
E5, E25	AVSS	Ground	Analog Ground
AE12, AE13, AE14, AE17, AE18, AE19, F12, F13, F14, F17, F18, F19, M25, M6, N25, N6, P25, P6, U25, U6, V25, V6, W25, W6	VCC	Power I/O	+3.3 Volt DC Supply
Bootstrap Pins (Default= pull up, 1= pull up 0= pull down)			
AD2,AB5	G0_TX_EN G0_TX_ER	Default: PCS	Giga0 Mode: G0_TXEN G0_TXER 0 0 MII 0 1 Rsvd 1 0 GMII 1 1 PCS
AK2,AJ3	G1_TX_EN G1_TX_ER	Default: PCS	Giga1 Mode: G1_TXEN G1_TXER 0 0 MII 0 1 Rsvd 1 0 GMII 1 1 PCS
AH8,AK9	G2_TX_EN G2_TX_ER	Default: PCS	Giga2 Mode: G2_TXEN G2_TXER 0 0 MII 0 1 Rsvd 1 0 GMII 1 1 PCS
AG13,AJ14	G3_TX_EN G3_TX_ER	Default: PCS	Giga3 Mode: G3_TXEN G3_TXER 0 0 MII 0 1 Rsvd 1 0 GMII 1 1 PCS

Ball No(s)	Symbol	I/O	Description
CPU Bus Interface			
AK19,AH20	G4_TX_EN G4_TX_ER	Default: PCS	Giga4 Mode: G4_TXEN G4_TXER 0 0 MII 0 1 Rsvd 1 0 GMII 1 1 PCS
AH25,AF25	G5_TX_EN G5_TX_ER	Default: PCS	Giga5 Mode: G5_TXEN G5_TXER 0 0 MII 0 1 Rsvd 1 0 GMII 1 1 PCS
AG29,AF30	G6_TX_EN G6_TX_ER	Default: PCS	Giga6 Mode: G6_TXEN G6_TXER 0 0 MII 0 1 Rsvd 1 0 GMII 1 1 PCS
Y27,AB27	G7_TX_EN G7_TX_ER	Default: PCS	Giga7 Mode: G7_TXEN G7_TXER 0 0 MII 0 1 Rsvd 1 0 GMII 1 1 PCS
After reset T_D[15:0] are used by the LED interface			
T30	T_D[0]	1	Giga link active status 0 - active low 1 - active high
T29	T_D[1]	1	Power saving 0 - No power saving 1 - Power saving Stop MAC clock if no MAC activity.
T28	T_D[2]	Must be pulled-down	Reserved - Must be pulled-down
U27	T_D[3]	1	Hot plug port module detection enable 0 - module detection enable 1 - module detection disable
T27	T_D[4]	Must be pulled-down	Reserved - Must be pulled-down
R27	T_D[5]	1	SRAM memory size 0 - 512K SRAM 1 - 256K SRAM
T26	T_D[6]	1	CPU Port mode 0 - 8 bit cpu data bus 1 - 16 bit cpu data bus
R28	T_D[7]	1	FDB memory depth 1- one memory layer 0 - two memory layers

Ball No(s)	Symbol	I/O	Description
CPU Bus Interface			
W4, E21	LA_A[20], LB_A[20]	1	FDB memory size 11 - 2M per bank = 4M total 10 - 1M per bank = 2M total 0x - 512K per bank = 1M total
R29	T_D[8]	1	EEPROM installed 0 - EEPROM is installed 1 - EEPROM is not installed
R30	T_D[9]	1	MCT Aging enable 0 - MCT aging disable 1 - MCT aging enable
R26	T_D[10]	1	FCB handle aging enable 0 - FCB handle aging disable 1 - FCB handle aging enable
P27	T_D[11]	1	Timeout reset enable 0 - timeout reset disable 1 - timeout reset enable Issue reset if any state machine did not go back to idle for 5sec.
P28, P29	T_D[13:12]	1	Reserved
P30	T_D[14]	1	CPU installed 0 - CPU installed 1 - CPU is not installed
P26	T_D[15]	1	External RAM test 0 - Perform the infinite loop of ZBT RAM BIST. Debug test only 1 - Regular operation.
After reset P_D[8:0] are used by the CPU bus interface			
N30, N29, N28	P_D[2:0]	111	ZBT RAM la_clk turning 3'b000 - control by reg. LCLKCR[2:0] 3'b001 - delay by method # 0 3'b010 - delay by method # 1 3'b011 - delay by method # 2 3'b100 - delay by method # 3 3'b101 - delay by method # 4 3'b110 - delay by method # 5 3'b111 - delay by method # 6 USE METHOD 6 FOR NORMAL OPERATION. External pull up not required

Ball No(s)	Symbol	I/O	Description
CPU Bus Interface			
M30, M29, M28	P_D[5:3]	111	ZBT RAM lb_clk turning 3'b000 - control by reg. LCLKCR[6:4] 3'b001 - delay by method # 0 3'b010 - delay by method # 1 3'b011 - delay by method # 2 3'b100 - delay by method # 3 3'b101 - delay by method # 4 3'b110 - delay by method # 5 3'b111 - delay by method # 6 USE METHOD 6 FOR NORMAL OPERATION. External pull up not required
L29, L28, N26	P_D[8:6]	111	SBRAM b_clk turning 3'b000 - control by BCLKCR[2:0] 3'b001 - delay by method # 0 3'b010 - delay by method # 1 3'b011 - delay by method # 2 3'b100 - delay by method # 3 3'b101 - delay by method # 4 3'b110 - delay by method # 5 3'b111 - delay by method # 6 USE METHOD 6 FOR NORMAL OPERATION. External pull up not required

Notes

= Active low signal
Input = Input signal
In-ST = Input signal with Schmitt-Trigger
Output = Output signal (Tri-State driver)
Out-OD= Output signal with Open-Drain driver
I/O-TS = Input & Output signal with Tri-State driver
I/O-OD = Input & Output signal with Open-Drain driver

12.2.2 Ball - Signal Description in Unmanaged Mode

Ball No(s)	Symbol	I/O	Description
K27, L27, K30, K29, K28	P_DATA[15:11]	I/O-TS with pull up	Not used - leave unconnected
L30	P_DATA[10]	I/O - TS with pull up	Trunk enable in unmanaged mode External pull up or unconnected - disable trunk group 0 and 1 External pull down - enable trunk group 0 and 1 See register TRUNK0_MODE for port selection and trunk enable.
N27	P_DATA[9]	I/O - TS with pull up	Trunk enable in unmanaged mode External pull up or unconnected - disable trunk group 2 and 3 External pull down - enable trunk group 2 and 3 See register TRUNK1_MODE for port selection and trunk enable
L29, L28, N26, M30, M29, M28, N30, N29, N28	P_DATA[8:0]	I/O - TS with pull up	Bootstrap function - See bootstrap section
J28	P_A[2]	Input	Not used - leave unconnected
H28	P_INT#	Output with internal weak pullup	Not used - leave unconnected
I²C Interface (0) Note: In unmanaged mode, Use I²C and Serial control interface to configure the system			
J27	SCL	Output	I ² C Data Clock
M26	SDA	I/O-TS with pull up	I ² C Data I/O
Serial Control Interface			
J29	PS_STROBE	Input with weak internal pull up	Serial Strobe Pin
J30	PS_DI	Input with weak internal pull up	Serial Data Input
L26	PS_DO (AUTOFD)	Output with pull up	Serial Data Output (AutoFD)
Frame Buffer Interface			
U1, U2, N4, U3, U4, T1, T2, N5, T3, T4, M4, R4, R3, R2, R1, M5, R5, L4, P3, P2, P1, N3, L5, N2, P5, N1, K4, M3, M2, M1, K5, L3, J5, K2, H4, K1, J4, J3, J2, H5, J1, H3, H2, H1, G3, G4, G5, G2, G1, F5, F4, F3, F2, F1, D3, E1, E2, E3, D2, E4, C3, D1, C1, B2	LA_D[63:0]	I/O-TS with pull up	Frame Bank A- Data Bit [63:0]
AA1, V5, AA2, AA3, Y1, V4, Y2, Y3, U5, W1, W2, W3, T5, V1, V2, P4, V3	LA_A[19:3]	Output	Frame Bank A - Address Bit [19:3]

Ball No(s)	Symbol	I/O	Description
W4	LA_A[20]	Output with pull up	Frame Bank A - Address Bit [20]
C2	LA_CLK	Output	Frame Bank A Clock Input
K3	LA_CS0#	Output with pull up	Frame Bank A Low Portion Chip Selection
L1	LA_CS1#	Output with pull up	Frame Bank A High Portion Chip Selection
L2	LA_RW#	Output with pull up	Frame Bank A Read/Write
D18, B18, C18, A17, E17, B17, C17, E16, D17, B16, E15, C16, D16, D15, E14, C15, B15, E13, A15, D14, C14, D13, B14, A14, C13, E12, B13, A13, D12, C12, B12, A12, A11, E10, C10, B10, E9, A10, D11, D10, D8, D9, C9, B9, A9, C8, B8, A8, C7, E7, D7, B7, E8, A7, D6, C6, E6, B6, A6, A5, B5, C5, B4, A4	LB_D[63:0]	I/O-TS with pull up	Frame Bank B- Data Bit [63:0]
D22, D20, E20, D21, A21, D19, B21, C21, A20, B20, E19, C20, A19, B19, E18, C19, A18	LB_A[19:3]	Output	Frame Bank B - Address Bit [19:3]
E21	LB_A[20]	Output with pull up	Frame Bank B - Address Bit [20]
D5	LB_CLK	Output	Frame Bank B Clock Input
B11	LB_CS0#	Output with pull up	Frame Bank B Low Portion Chip Selection
E11	LB_CS1#	Output with pull up	Frame Bank B High Portion Chip Selection
C11	LB_RW#	Output with pull up	Frame Bank B Read/Write
Switch Database Interface			
E24, B27, D27, C27, A27, A28, B30, D28, E27, C30, D30, G26, E28, D29, E26, E29, H26, E30, J26, F30, F29, F28, F27, H27, G30, G29, K26, G27, G28, H30, H29, M27	B_D[31:0]	Output with pull up	Switch Database Domain - Data Bit [31:0]
C22, B22, A22, E22, C23, B23, A23, C24, D24, D23, B24, A24, E23, C25, C26, B25, A25	B_A[18:2]	Output	Switch Database Address (512K) - Address Bit [18:2]
C29	B_CLK	Output	Switch Database Clock Input
D25	B_ADSC#	Output with pull up	Switch Database Address Status Control
B26	B_WE#	Output with pull up	Switch Database Write Chip Select
A26	B_OE#	Output with pull up	Switch Database Read Chip Select

Ball No(s)	Symbol	I/O	Description
MII Management Interface			
AJ16	M_MDC	Output	MII Management Data Clock - (common for all MII Ports [7:0])
AG18	M_MDIO	I/O-TS with pull up	MII Management Data I/O - (common for all MII Ports -[7:0])) 2.5Mhz

Ball No(s)	Symbol	I/O	Description
GMII / MII Interface (193) Gigabit Ethernet Access Port			
AD29, AK30, AJ22, AG17, AJ11, AJ6, AF3,AA4	REF_CLK [7:0]	Input w/ pull up	Gigabit Reference Clock
AK15	CM_CLK	Input w/ pull up	Common Clock shared by port G[7:0]
AF17	IND/CM	Input w/ pull up	1: select REF_CLK[7:0] as clock 0: select CM_CLK as clock for all ports
AA30, AK29, AG25, AK18, AJ13, AH7, AH3, AB1	MII TX CLK[7:0]	Input w/ pull up	
V26, W29, W30, Y28, W26, Y29, W27, Y30	G7_RXD[7:0]	Input w/ pull up	G[7:0] port - Receive Data Bit [7:0]
AB26, AE27, AE28, AC27, AE29, AC26, AE30, AD26	G6_RXD[7:0]		
AK27, AH27, AF26, AJ27, AH26, AK25, AG26, AJ25	G5_RXD[7:0]		
AG22, AG21, AG20, AF22, AK21, AK20, AF21, AJ20	G4_RXD[7:0]		
AG16, AF16, AG15, AF18, AF15, AH15, AJ15, AG14	G3_RXD[7:0]		
AG11, AJ10, AF11, AF10, AG9, AF9, AH9, AJ9	G2_RXD[7:0]		
AF6, AJ5, AF5, AG6, AK4, AF4, AK3, AH4	G1_RXD[7:0]		
AF1, AC5, AE1, AE2, AE3, AC4, AE4, AD1	G0_RXD[7:0]		
W28, AD30, AK28, AH22, AH16, AH10, AK5, AD5	G[7:0]_RX_DV	Input w/ pull down	G[7:0]port - Receive Data Valid
V27, AD27, AJ28, AH23, AF19, AG12, AK6, AF2	G[7:0]_RX_ER	Input w/ pull up	G[7:0]port - Receive Error

Ball No(s)	Symbol	I/O	Description
AC30, AJ29, AG23, AK16, AK11, AH6, AG3, Y4	G[7:0]_CRS/LINK	Input w/ pull down	G[7:0]port - Carrier Sense
AA28, AF29, AJ26, AJ21, AF14, AK10, AJ4, AD3	G[7:0]_COL	Input w/ pull up	G[7:0]port - Collision Detected
AA29, AF27, AK26, AH21, AH14, AG10, AH5, AC1	G[7:0]_RXCLK	Input w/ pull up	G[7:0]port - Receive Clock
AB28, Y26, AB29, AB30, AA27, AC28, AC29, AA26	G7_TXD[7:0]	Output	G[7:0]port - Transmit Data Bit [7:0]
AE26, AF28, AG30, AG28, AG27, AH29, AH28, AJ30	G6_TXD[7:0]		
AK24, AJ24, AG24, AF24, AH24, AF23, AK23, AJ23	G5_TXD[7:0]		
AJ19, AH19, AJ18, AH18, AF20, AK17, AG19, AJ17	G4_TXD[7:0]		
AK14, AF13, AH13, AK13, AH12, AJ12, AF12, AK12	G3_TXD[7:0]		
AF8, AJ8, AK8, AG7, AG8, AJ7, AK7, AF7	G2_TXD[7:0]		
AG4, AK1, AJ1, AJ2, AH2, AH1, AG1, AE5	G1_TXD[7:0]		
AA5, AD4, AC2, Y5, AC3, AB2, W5, AB3	G0_TXD[7:0]		
Y27, AG29, AH25, AK19, AG13, AH8, AK2, AD2	G[7:0]_TX_EN	Output w/ pull up	G[7:0]port - Transmit Data Enable
AB27, AF30, AF25, AH20, AJ14, AK9, AJ3, AB5	G[7:0]_TX_ER	Output w/ pull up	G[7:0]port - Transmit Error
AD28, AH30, AK22, AH17, AH11, AG5, AG2, AB4	G[7:0]_TXCLK	Output	G[7:0]port - Gigabit Transmit Clock
PMA Interface (193) Gigabit Ethernet Access Port (PCS)			
AD29, AK30, AJ22, AG17, AJ11, AJ6, AF3,AA4	GREF_CLK [7:0]	Input w/ pull up	Gigabit Reference Clock
AK15	CM_CLK	Input w/ pull up	Common Clock shared by port G[7:0]
AF17	IND/CM	Input w/ pull up	1: select GREF_CLK[7:0] as clock 0: select CM_CLK as clock for all port

Ball No(s)	Symbol	I/O	Description
V26, W29, W30, Y28, W26, Y29, W27, Y30	G7_RXD[7:0]	Input w/ pull up	G[7:0]port - PMA Receive Data Bit [7:0]
AB26, AE27, AE28, AC27, AE29, AC26, AE30, AD26	G6_RXD[7:0]		
AK27, AH27, AF26, AJ27, AH26, AK25, AG26, AJ25	G5_RXD[7:0]		
AG22, AG21, AG20, AF22, AK21, AK20, AF21, AJ20	G4_RXD[7:0]		
AG16, AF16, AG15, AF18, AF15, AH15, AJ15, AG14	G3_RXD[7:0]		
AG11, AJ10, AF11, AF10, AG9, AF9, AH9, AJ9	G2_RXD[7:0]		
AF6, AJ5, AF5, AG6, AK4, AF4, AK3, AH4	G1_RXD[7:0]		
AF1, AC5, AE1, AE2, AE3, AC4, AE4, AD1	G0_RXD[7:0]		
W28, AD30, AK28, AH22, AH16, AH10, AK5, AD5	G[7:0]_RX_D[8]	Input w/ pull down	G[7:0]port - PMA Receive Data Bit [8]
V27, AD27, AJ28, AH23, AF19, AG12, AK6, AF2	G[7:0]_RX_D[9]	Input w/ pull up	G[7:0]port - PMA Receive Data Bit [9]
AA28, AF29, AJ26, AJ21, AF14, AK10, AJ4, AD3	G[7:0]_RXCLK1	Input w/ pull up	G[7:0]port - PMA Receive Clock 1
AA29, AF27, AK26, AH21, AH14, AG10, AH5, AC1	G[7:0]_RXCLK0	Input w/ pull up	G[7:0]port - PMA Receive Clock 0

Ball No(s)	Symbol	I/O	Description
AB28, Y26, AB29, AB30, AA27, AC28, AC29, AA26	G7_TXD[7:0]	Output	G[7:0]port - PMA Transmit Data Bit [7:0]
AE26, AF28, AG30, AG28, AG27, AH29, AH28, AJ30	G6_TXD[7:0]		
AK24, AJ24, AG24, AF24, AH24, AF23, AK23, AJ23	G5_TXD[7:0]		
AJ19, AH19, AJ18, AH18, AF20, AK17, AG19, AJ17	G4_TXD[7:0]		
AK14, AF13, AH13, AK13, AH12, AJ12, AF12, AK12	G3_TXD[7:0]		
AF8, AJ8, AK8, AG7, AG8, AJ7, AK7, AF7	G2_TXD[7:0]		
AG4, AK1, AJ1, AJ2, AH2, AH1, AG1, AE5	G1_TXD[7:0]		
AA5, AD4, AC2, Y5, AC3, AB2, W5, AB3	G0_TXD[7:0]		
Y27, AG29, AH25, AK19, AG13, AH8, AK2, AD2	G[7:0]_TXD[8]	Output w/ pull up	G[7:0]port - PMA Transmit Data Bit [8]
AB27, AF30, AF25, AH20, AJ14, AK9, AJ3, AB5	G[7:0]_TX_D[9]	Output w/ pull up	G[7:0]port - PMA Transmit Data Bit [9]
AD28, AH30, AK22, AH17, AH11, AG5, AG2, AB4	G[7:0]_TXCLK	Output	G[7:0]port - PMA Gigabit Transmit Clock
Test Facility (3)			
U29	T_MODE0	I/O-TS with pull up	Test - Set upon Reset, and provides NAND Tree test output during test mode. Use external Pull up for normal operation
U28	T_MODE1	I/O-TS with pull up	Test - Set upon Reset, and provides NAND Tree test output during test mode. Use external Pull up for normal operation
A3	SCAN_EN	Input w/ pull down	Enable test mode. For normal operation leave it open
LED Interface (serial and parallel)			
R28, T26, R27, T27, U27, T28, T29, T30	T_D[7:0]/ LED_PD[7:0]	Output	While resetting, T_D[7,0] are in input mode and are used as strapping pins. Internal pullup LED_PD - Parallel Led data [7:0]

Ball No(s)	Symbol	I/O	Description
P26, P30, P29, P28, P27, R26, R30, R29	T_D[15:8]/ LED_PT[7:0]	Output	While resetting, T_D[15:8] are in input mode and are used as strapping pins. Internal pullup LED_PR[7:0] - Parallel Led port sel [7:0]
V29	LED_CLK0/ LED_PT[8]	Output	LED_CLK0 - LED Serial Interface Output Clock LED_PT[8] - Parallel Led port sel [8]
V30	LED_BLINK/ LED_DO/ LED_PT[9]	Output	While resetting, LED-BLINK is in input mode and is used as strapping pin. 1: No Blink, 0: Blink. Internal pullup. LED_DO - LED Serial Data Output Stream LED_PT[9] - Parallel Led port sel [9]
V28	LED_PM/ LED_SYNCO#	Output w/ pull up	While resetting, LED_PM is in input mode and is used as strapping pin. Internal pull up. 1: Enable parallel interface, 0: enable serial interface. LED_SYNCO# - LED Output Data Stream Envelop
System Clock, Power, and Ground Pins			
A16	S_CLK	Input	System Clock at 133 MHz
U26	S_RST#	Input - ST	Reset Input
U30	RESOUT#	Output	Reset PHY
B1	DEV_CFG[0]	Input w/ pull down	Not used
B28	DEV_CFG[1]	Input w/ pull down	Not used
AE7, AE9, F10, F21, F22, F9, G25, G6, J25, J6, K25, K6, AA25, AA6, AB25, AB6, AD25, AE10, AE21, AE22	VDD	Power core	+2.5 Volt DC Supply
V14, V15, V16, V17, V18, F16, F24, F25, F6, F7, N13, N14, N15, N16, N17, N18, P13, P14, P15, P16, P17, P18, R13, R14, R15, R16, R17, R18, R25, R6, T13, T14, T15, T16, T17, T18, T25, T6, U13, U14, U15, U16, U17, U18, V13, AD6, AE15, AE16, AE24, AE25, AE6, F15	VSS	Ground	Ground
A1, C28	AVDD	Power	Analog +2.5 Volt DC Supply
E5, E25	AVSS	Ground	Analog Ground

Ball No(s)	Symbol	I/O	Description
AE12, AE13, AE14, AE17, AE18, AE19, F12, F13, F14, F17, F18, F19, M25, M6, N25, N6, P25, P6, U25, U6, V25, V6, W25, W6	VCC	Power I/O	+3.3 Volt DC Supply
Bootstrap Pins (Default= pull up, 1= pull up 0= pull down)			
AD2,AB5	G0_TX_EN G0_TX_ER	Default: PCS	Giga0 Mode: G0_TXEN G0_TXER 0 0 MII 0 1 Rsvd 1 0 GMII 1 1 PCS
AK2,AJ3	G1_TX_EN G1_TXER	Default: PCS	Giga1 Mode: G1_TXEN G1_TXER 0 0 MII 0 1 Rsvd 1 0 GMII 1 1 PCS
AH8,AK9	G2_TX_EN G2_TX_ER	Default: PCS	Giga2 Mode: G2_TXEN G2_TXER 0 0 MII 0 1 Rsvd 1 0 GMII 1 1 PCS
AG13,AJ14	G3_TX_EN G3_TX_ER	Default: PCS	Giga3 Mode: G3_TXEN G3_TXER 0 0 MII 0 1 Rsvd 1 0 GMII 1 1 PCS
AK19,AH20	G4_TX_EN G4_TX_ER	Default: PCS	Giga4 Mode: G4_TXEN G4_TXER 0 0 MII 0 1 Rsvd 1 0 GMII 1 1 PCS
AH25,AF25	G5_TX_EN G5_TX_ER	Default: PCS	Giga5 Mode: G5_TXEN G5_TXER 0 0 MII 0 1 Rsvd 1 0 GMII 1 1 PCS
AG29,AF30	G6_TX_EN G6_TX_ER	Default: PCS	Giga6 Mode: G6_TXEN G6_TXER 0 0 MII 0 1 Rsvd 1 0 GMII 1 1 PCS

Ball No(s)	Symbol	I/O	Description												
Y27,AB27	G7_TX_EN G7_TX_ER	Default: PCS	Giga7 Mode: G7_TXEN G7_TXER <table style="margin-left: auto; margin-right: auto;"> <tr> <td>0</td> <td>0</td> <td>MII</td> </tr> <tr> <td>0</td> <td>1</td> <td>Rsvd</td> </tr> <tr> <td>1</td> <td>0</td> <td>GMII</td> </tr> <tr> <td>1</td> <td>1</td> <td>PCS</td> </tr> </table>	0	0	MII	0	1	Rsvd	1	0	GMII	1	1	PCS
0	0	MII													
0	1	Rsvd													
1	0	GMII													
1	1	PCS													
After reset T_D[15:0] are used by the LED interface															
T30	T_D[0]	1	Giga link active status 0 - active low 1 - active high												
T29	T_D[1]	1	Power saving 0 - No power saving 1 - Power saving Stop MAC clock if no MAC activity.												
T28	T_D[2]	Must be pulled-down	Reserved - Must be pulled-down												
U27	T_D[3]	1	Hot plug port module detection enable 0 - module detection enable 1 - module detection disable												
T27	T_D[4]	Must be pulled-down	Reserved - Must be pulled-down												
R27	T_D[5]	1	SRAM memory size 0 - 512K SRAM 1 - 256K SRAM												
T26	T_D[6]	1	CPU Port mode 0 - 8 bit cpu data bus 1 - 16 bit cpu data bus												
R28	T_D[7]	1	FDB memory depth 1 - one memory layer 0 - two memory layers												
W4, E21	LA_A[20], LB_A[20]	1	FDB memory size 11 - 2M per bank = 4M total 10 - 1M per bank = 2M total 0x - 512K per bank = 1M total												
R29	T_D[8]	1	EEPROM installed 0 - EEPROM is installed 1 - EEPROM is not installed												
R30	T_D[9]	1	MCT Aging enable 0 - MCT aging disable 1 - MCT aging enable												
R26	T_D[10]	1	FCB handle aging enable 0 - FCB handle aging disable 1 - FCB handle aging enable												
P27	T_D[11]	1	Timeout reset enable 0 - timeout reset disable 1 - timeout reset enable Issue reset if any state machine did not go back to idle for 5sec.												
P28, P29	T_D[13:12]	1	Reserved												

Ball No(s)	Symbol	I/O	Description
P30	T_D[14]	1	CPU installed 0 - CPU installed 1 - CPU is not installed
P26	T_D[15]	1	External RAM test 0 - Perform the infinite loop of ZBT RAM BIST. Debug test only 1 - Regular operation.
N30, N29, N28	P_D[2:0]	111	ZBT RAM Ia_clk turning 3'b000 - control by reg. LCLKCR[2:0] 3'b001 - delay by method # 0 3'b010 - delay by method # 1 3'b011 - delay by method # 2 3'b100 - delay by method # 3 3'b101 - delay by method # 4 3'b110 - delay by method # 5 3'b111 - delay by method # 6 - USE THIS METHOD
M30, M29, M28	P_D[5:3]1		ZBT RAM Ib_clk turning 3'b000 - control by reg. LCLKCR[6:4] 3'b001 - delay by method # 0 3'b010 - delay by method # 1 3'b011 - delay by method # 2 3'b100 - delay by method # 3 3'b101 - delay by method # 4 3'b110 - delay by method # 5 3'b111 - delay by method # 6 - USE THIS METHOD
L29, L28, N26	P_D[8:6]	111	SBRAM b_clk turning 3'b000 - control by BCLKCR[2:0] 3'b001 - delay by method # 0 3'b010 - delay by method # 1 3'b011 - delay by method # 2 3'b100 - delay by method # 3 3'b101 - delay by method # 4 3'b110 - delay by method # 5 3'b111 - delay by method # 6- USE THIS METHOD

Notes:

= Active low signal

Input = Input signal

In-ST = Input signal with Schmitt-Trigger

Output = Output signal (Tri-State driver)

Out-OD = Output signal with Open-Drain driver

I/O-TS = Input & Output signal with Tri-State driver

I/O-OD = Input & Output signal with Open-Drain driver

12.3 Ball Signal Name

Ball No.	Signal Name
A1	AVCC
B1	DEV_CFG[0]
B2	LA_D[0]
C2	LA_CLK
C1	LA_D[1]
D1	LA_D[2]
C3	LA_D[3]
E4	LA_D[4]
D2	LA_D[5]
E3	LA_D[6]
E2	LA_D[7]
E1	LA_D[8]
D3	LA_D[9]
F1	LA_D[10]
F2	LA_D[11]
F3	LA_D[12]
F4	LA_D[13]
F5	LA_D[14]
G1	LA_D[15]
G2	LA_D[16]
G5	LA_D[17]
G4	LA_D[18]
G3	LA_D[19]
H1	LA_D[20]
H2	LA_D[21]
H3	LA_D[22]
J1	LA_D[23]
H5	LA_D[24]
J2	LA_D[25]
J3	LA_D[26]
J4	LA_D[27]
K1	LA_D[28]
H4	LA_D[29]
K2	LA_D[30]
M1	LA_D[34]
M2	LA_D[35]
M3	LA_D[36]
K4	LA_D[37]

Ball No.	Signal Name
N1	LA_D[38]
P5	LA_D[39]
N2	LA_D[40]
L5	LA_D[41]
N3	LA_D[42]
P1	LA_D[43]
P2	LA_D[44]
P3	LA_D[45]
L4	LA_D[46]
R5	LA_D[47]
M5	LA_D[48]
R1	LA_D[49]
R2	LA_D[50]
R3	LA_D[51]
R4	LA_D[52]
M4	LA_D[53]
T4	LA_D[54]
T3	LA_D[55]
N5	LA_D[56]
T2	LA_D[57]
T1	LA_D[58]
U4	LA_D[59]
U3	LA_D[60]
N4	LA_D[61]
U2	LA_D[62]
U1	LA_D[63]
V3	LA_A[3]
P4	LA_A[4]
V2	LA_A[5]
V1	LA_A[6]
Y2	LA_A[13]
V4	LA_A[14]
Y1	LA_A[15]
V4	LA_A[14]
Y1	LA_A[15]
AA3	LA_A[16]
AA2	LA_A[17]
V5	LA_A[18]
AA1	LA_A[19]

Ball No.	Signal Name
W4	LA_A[20]
Y4	G0_CRSLNK
AA4	GMEM_CLK[0]
AB4	G0_TXCLK
AB3	G0_TXD[0]
W5	G0_TXD[1]
AB2	G0_TXD[2]
AB1	MII_TX_CLK[0]
AC3	G0_TXD[3]
Y5	G0_TXD[4]
AC2	G0_TXD[5]
AC1	G0_RXCLK
AD3	G0_COL
AD4	G0_TXD[6]
AA5	G0_TXD[7]
AD2	G0_TX_EN
AB5	G0_TX_ER
AD1	G0_RXD[0]
AE4	G0_RXD[1]
AC4	G0_RXD[2]
AE3	G0_RXD[3]
AE2	G0_RXD[4]
AE1	G0_RXD[5]
AC5	G0_RXD[6]
AF1	G0_RXD[7]
AD5	G0_RX_DV
AF2	G0_RX_ER
J5	LA_D[31]
K3	LA_CS0#
L1	LA_CS1#
L2	LA_RW#
L3	LA_D[32]
K5	LA_D[33]
AH2	G1_TXD[3]
AJ2	G1_TXD[4]
AJ1	G1_TXD[5]
AK1	G1_TXD[6]
AG4	G1_TXD[7]
AK2	G1_TX_EN

Ball No.	Signal Name
AH3	MII_TX_CLK[1]
AJ3	G1_TX_ER
AH4	G1_RXD[0]
AK3	G1_RXD[1]
AF4	G1_RXD[2]
AK4	G1_RXD[3]
AH5	G1_RXCLK
AJ4	G1_COL
AG6	G1_RXD[4]
AF5	G1_RXD[5]
AJ5	G1_RXD[6]
AF6	G1_RXD[7]
AK5	G1_RX_DV
AK6	G1_RX_ER
AJ6	REF_CLK[2]
AG5	G2_TXCLK
AH6	G2_CRX/LKINK
AF7	G2_TXD[0]
AK7	G2_TXD[1]
AJ7	G2_TXD[2]
AG8	G2_TXD[3]
AG7	G2_TXD[4]
AH7	MII_TX_CLK[2]
AK8	G2_TXD[5]
AJ8	G2_TXD[6]
T5	LA_A[7]
W3	LA_A[8]
W2	LA_A[9]
W1	LA_A[10]
U5	LA_A[11]
Y3	LA_A[12]
AG10	G2_RXCLK
AK10	G2_COL
AJ10	G2_RXD[6]
AG11	G2_RXD[7]
AH10	G2_RX_DV
AG12	G2_RX_ER
AK11	G3_CRX/LINK
AJ11	REF_CLK[3]

Ball No.	Signal Name
AH11	G3_TXCLK
AK12	G3_TXD[0]
AF12	G3_TXD[1]
AJ12	G3_TXD[2]
AH12	G3_TXD[3]
AK13	G3_TXD[4]
AJ13	MII_TX_CLK[3]
AH13	G3_TXD[5]
AF13	G3_TXD[6]
AK14	G3_TXD[7]
AG13	G3_TX_EN
AJ14	G3_TX_ER
AH14	G3_RXCLK
AF14	G3_COL
AG14	G3_RXD[0]
AK15	CM_CLK
AF17	IND_CM
AJ15	G3_RXD[1]
AH15	G3_RXD[2]
AF15	G3_RXD[3]
AF18	G3_RXD[4]
AG15	G3_RXD[5]
AF16	G3_RXD[6]
AF3	REF_CLK[1]
AG2	G1_TXCLK
AG3	G1_CRX/LINK
AE5	G1_TXD[0]
AG1	G1_TXD[1]
AH1	G1_TXD[2]
AG19	G4_TXD[1]
AK17	G4_TXD[2]
AF20	G4_TXD[3]
AH18	G4_TXD[4]
AJ18	G4_TXD[5]
AK18	MII_TX_CLK[4]
AH19	G4_TXD[6]
AJ19	G4_TXD[7]
AK19	G4_TX_EN
AH20	G4_TX_ER

Ball No.	Signal Name
AJ20	G4_RXD[0]
AF21	G4_RXD[1]
AK20	G4_RXF[2]
AH21	G4_RXCLK
AJ21	G4_COL
AK21	G4_RXD[3]
AF22	Gr_RXD[4]
AG20	G4_RXD[5]
AG21	G4_RXD[6]
AG22	G4_RXD[7]
AH22	G4_RX_DV
AJ22	REF_CLK[5]
AK22	G5_TXCLK
AH23	G4_RX_ER
AG23	G5_CRX/LINK
AJ23	G5_TXD[0]
AK23	G5_TXD[1]
AF23	G5_TXD[2]
AH24	G5_TXD[3]
AF24	G5_TXD[4]
AG24	G5_TXD[5]
AF8	G2_TXD[7]
AH8	G2_TX_EN
AK9	G2_TX_ER
AJ9	G2_RXD[0]
AH9	G2_RXD[1]
AF9	G2_RXD[2]
AG9	G2_RXD[3]
AF10	G2_RXD[4]
AF11	G2_RXD[5]
AJ26	G5_COL
AH26	G5_RXD[3]
AJ27	G5_RXD[4]
AF26	G5_RXD[5]
AH27	G5_RXD[6]
AK27	G5_RXD[7]
AK28	G5_RX_DV
AJ28	G5_RX_ER
AJ29	G6_CRX/LINK

Ball No.	Signal Name
AK29	MII_TX_CLK[6]
AK30	GREF_CLK[6]
AH28	G6_TXD[1]
AH29	G6_TXD[2]
AG27	G6_TXD[3]
AG28	G6_TXD[4]
AH30	G6_TXCLK
AG30	G6_TXD[5]
AF28	G6_TXD[6]
AE26	G6_TXD[7]
AG29	G6_TX-EN
AF27	G6_RXCLK
AF29	G6_COL
AF30	G6_TX_ER
AD26	G6_RXD[0]
AE30	G6_RXD[1]
AC26	G6_RXD[2]
AE29	G6_RXD[3]
AC27	G6_RXD[4]
AG16	G3_RXD[7]
AH16	G3_RX_DV
AF19	G3_RX_ER
AJ16	M_MDC
AG18	M_MDIO
AK16	G4_CRG/LINK
AG17	GREF_CLK[4]
AH17	G4_TXCLK
AJ17	G4_TXD[0]
AA27	G7_TXD[3]
AB30	G7_TXD[4]
AB29	G7_TXD[5]
Y26	G7_TXD[6]
AB28	G7_TXD[7]
Y27	G7_TX_EN
AB27	G7_TX_ER
AA30	MII_TX_CLK[7]
AA29	G7_RXCLK
AA29	C7_COL
Y30	G7_RXD[0]

Ball No.	Signal Name
W27	G7_RXD[1]
Y29	G7_RXD[2]
W26	G7_RXD[3]
Y28	G7_RXD[4]
W30	G7_RXD[5]
W29	G7_RXD[6]
V26	G7_RXD[7]
W28	G7_RX_DV
V27	G7_RX_ER
V30	LED_DO
V29	LED_CLK0
V28	LED_SYNCO#
U26	S_RST#
U30	RESOUT#
U29	T_MODE{0}
U28	T_MODE{1}
T30	T_D[0]
T29	T_D[1]
AJ24	G5_TXD[6]
AK24	G5_TXD[7]
AG25	MII_TX_CLK[5]
AH25	G5_TX_EN
AF25	G5_TX_ER
AJ25	G5_RXD[0]
AG26	G5_RXD[1]
AK25	G5_RXD[2]
AK26	G5_RXCLK
P29	T_D[13]
P30	T_D[14]
P26	T_D[15]
N28	P_D[0]
N29	P_D[1]
N30	P_D[2]
M28	P_D[3]
M29	P_D[4]
M30	P_D[5]
N26	P_D[6]
L28	P_D[7]
L29	P_D[8]

Ball No.	Signal Name
N27	P_D[9]
L30	P_D[10]
K28	P_D[11]
K29	P_D[12]
K30	P_D[13]
L27	P_D[14]
K27	P_D[15]
M26	P_A[0]
J27	P_A[1]
J28	P_A[2]
J29	P_WE#
J30	P_RD#
L26	P_CS#
H28	P_INT#
M27	B_D[0]
H29	B_D[1]
H30	B_D[2]
AE28	G6_RXD[5]
AE27	G6_RXD[6]
AB26	G6_RXD[7]
AD30	G6_RX_DV
AD29	GREF_CLK[7]
AD27	G6_RX_ER
AD28	G7_TXCLK
AC30	G7_CRG/LINK
AA26	G7_TXD[0]
AC29	G7_TXD[1]
AC28	G7_TXD[2]
E30	B_D[14]
H26	B_D[15]
E29	B_D[16]
E26	B_D[17]
D29	B_D[18]
E28	B_D[19]
G26	B_D[20]
D30	B_D[21]
C30	B_D[22]
E27	B_D[23]
C29	B_CLK

Ball No.	Signal Name
D28	B_D[24]
B30	B_D[25]
F26	NC1
D26	NC2
A30	NC3
A29	NC4
B29	NC5
E25	AGND
B28	DEV_CFG[1]
C28	AVDD
A28	B_D[26]
A27	B_D[27]
C27	B_D[28]
D27	B_D[29]
B27	B_D[30]
T28	T_D[2]
U27	T_D[3]
T27	T_D[4]
R27	T_D[5]
T26	T_D[6]
R28	T_D[7]
R29	T_D[8]
R30	T_D[9]
R26	T_D[10]
P27	T_D[11]
P28	T_D[12]
A23	B_A[12]
B23	B_A[13]
C23	B_A[14]
E22	B_A[15]
A22	B_A[16]
B22	B_A[17]
C22	B_A[18]
E21	LB_A[20]
D22	LB_A[19]
D20	LB_A[18]
E20	LB_A[17]
D21	LB_A[16]
A21	LB_A[15]

Ball No.	Signal Name
D19	LB_A[14]
B21	LB_A[13]
C21	LB_A[12]
A20	LB_A[11]
B20	LB_A[10]
E19	LB_A[9]
C20	LB_A[8]
A19	LB_A[7]
B19	LB_A[6]
E18	LB_A[5]
C19	LB_A[4]
A18	LB_A[3]
D18	LB_D[63]
G28	B_D[3]
G27	B_D[4]
K26	B_D[5]
G29	B_D[6]
G30	B_D[7]
H27	B_D[8]
F27	B_D[9]
F28	B_D[10]
F29	B_D[11]
F30	B_D[12]
J26	B_D[13]
E14	LB_D[49]
C15	LB_D[48]
B15	LB_D[47]
E13	LB_D[46]
A15	LB_D[45]
D14	LB_D[44]
C14	LB_D[43]
D13	LB_D[42]
B14	LB_D[41]
A14	LB_D[40]
C13	LB_D[39]
E12	LB_D[38]
B13	LB_D[37]
A13	LB_D[36]
D12	LB_D[35]

Ball No.	Signal Name
C12	LB_D[34]
B12	LB_D[33]
A12	LB_D[32]
C11	LB_RW#
E11	LB_CS1#
B11	LB_CS0#
A11	LB_D[31]
E10	LB_D[30]
C10	LB_D[29]
B10	LB_D[28]
E9	LB_D[27]
E24	B_D[31]
D25	B_ADSC#
B26	B_WE#
A26	B_OE#
A25	B_A[2]
B25	B_A[3]
C26	B_A[4]
C25	B_A[5]
E23	B_A[6]
A24	B_A[7]
B24	B_A[8]
D23	B_A[9]
D24	B_A[10]
C24	B_A[11]
B7	LB_D[12]
E8	LB_D[11]
A7	LB_D[10]
D6	LB_D[9]
C6	LB_D[8]
E6	LB_D[7]
B6	LB_D[6]
A6	LB_D[5]
A5	LB_D[4]
B5	LB_D[3]
C5	LB_D[2]
B4	LB_D[1]
D5	LB_CLK
A4	LB_D[0]

Ball No.	Signal Name
A3	SCAN_EN
E5	AGND
C4	NC6
B3	NC7
D4	NC8
A2	NC9
AD6	VSS
AE15	VSS
AE16	VSS
AE24	VSS
B18	LB_D[62]
C18	LB_D[61]
A17	LB_D[60]
E17	LB_D[59]
B17	LB_D[58]
C17	LB_D[57]
E16	LB_D[56]
D17	LB_D[55]
A16	S_CLK
B16	LB_D[54]
E15	LB_D[53]
C16	LB_D[52]
D16	LB_D[51]
D15	LB_D[50]
P15	VSS
P16	VSS
P17	VSS
P18	VSS
R13	VSS
R14	VSS
R15	VSS
R16	VSS
R17	VSS
R18	VSS
R25	VSS
R26	VSS
T13	VSS
T14	VSS
T15	VSS

Ball No.	Signal Name
T16	VSS
T17	VSS
T18	VSS
T25	VSS
T6	VSS
U13	VSS
U14	VSS
U15	VSS
U16	VSS
A10	LB_D[26]
D11	LB_D[25]
D10	LB_D[24]
D8	LB_D[23]
D9	LB_D[22]
C9	LB_D[21]
B9	LB_D[20]
A9	LB_D[19]
C8	LB_D[18]
B8	LB_D[17]
A8	LB_D[16]
C7	LB_D[15]
E7	LB_D[14]
D7	LB_D[13]
AE7	VDD
AE9	VDD
F10	VDD
F21	VDD
F22	VDD
F9	VDD
G25	VDD
G6	VDD
J25	VDD
J6	VDD
K25	VDD
K6	VDD
AE12	VCC
AE13	VCC
AE14	VCC
AE17	VCC

Ball No.	Signal Name
AE18	VCC
AE19	VCC
F12	VCC
F13	VCC
F14	VCC
F17	VCC
F18	VCC
F19	VCC
AE25	VSS
AE6	VSS
F15	VSS
F16	VSS
F24	VSS
F25	VSS
F6	VSS
F7	VSS
N13	VSS
N14	VSS
N15	VSS
N16	VSS
N17	VSS
N18	VSS
P13	VSS
P14	VSS
U17	VSS
U18	VSS
V13	VSS
V14	VSS
V15	VSS
V16	VSS
V17	VSS
V18	VSS
AA25	VDD
AA6	VDD
AB25	VDD
AB6	VDD
AD25	VDD
AE10	VDD
AE21	VDD

Ball No.	Signal Name
AE22	VDD
M25	VCC
M6	VCC
N25	VCC
N6	VCC
P25	VCC
U25	VCC
U6	VCC
V6	VCC
W25	VCC
W6	VCC

12.4 Characteristics and Timing

12.4.1 Absolute Maximum Ratings

Storage Temperature	-65C to +150C
Operating Temperature	-40°C to +85°C
Maximum Junction Temperature	+125°C
Supply Voltage VCC with Respect to V _{SS}	+3.0 V to +3.6 V
Supply Voltage VDD with Respect to V _{SS}	+2.38 V to +2.75 V
Voltage on Input Pins	-0.5 V to (VCC + 3.3 V)

Caution: Stress above those listed may damage the device. Exposure to the Absolute Maximum Ratings for extended periods may affect device reliability. Functionality at or above these limits is not implied.

12.4.2 DC Electrical Characteristics

VCC = 3.0 V to 3.6 V (3.3v +/- 10%) T_{AMBIENT} = -40°C to +85°C

VDD = 2.5V +10% -5%

12.4.3 Recommended Operating Conditions

Symbol	Parameter Description	Min	Type	Max	Unit
f_{osc}	Frequency of Operation		133		MHz
I_{CC}	Supply Current – @ 133 MHz (3.3 V supply)	720		930	mA
I_{DD}	Supply Current – @ 133 MHz (2.5 V supply)	1400		1700	mA
V_{OH}	Output High Voltage (CMOS)	2.4			V
V_{OL}	Output Low Voltage (CMOS)			0.4	V
V_{IH-TTL}	Input High Voltage (TTL 5V tolerant)	2.0		$V_{CC} + 2.0$	V
V_{IL-TTL}	Input Low Voltage (TTL 5V tolerant)			0.8	V
I_{IL}	Input Leakage Current (0.1 V < V_{IN} < VCC) (all pins except those with internal pull-up/pull-down resistors)			10	μ A
I_{OL}	Output Leakage Current (0.1 V < V_{OUT} < VCC)			10	μ A
C_{IN}	Input Capacitance			5	pF
C_{OUT}	Output Capacitance			5	pF
$C_{I/O}$	I/O Capacitance			7	pF
θ_{ja}	Thermal resistance with 0 air flow			11.2	C/W
θ_{ja}	Thermal resistance with 1 m/s air flow			9.9	C/W
θ_{ja}	Thermal resistance with 2 m/s air flow			8.7	C/W
θ_{jc}	Thermal resistance between junction and case			3.3	C/W

12.5 AC Characteristics and Timing

12.5.1 Typical Reset & Bootstrap Timing Diagram

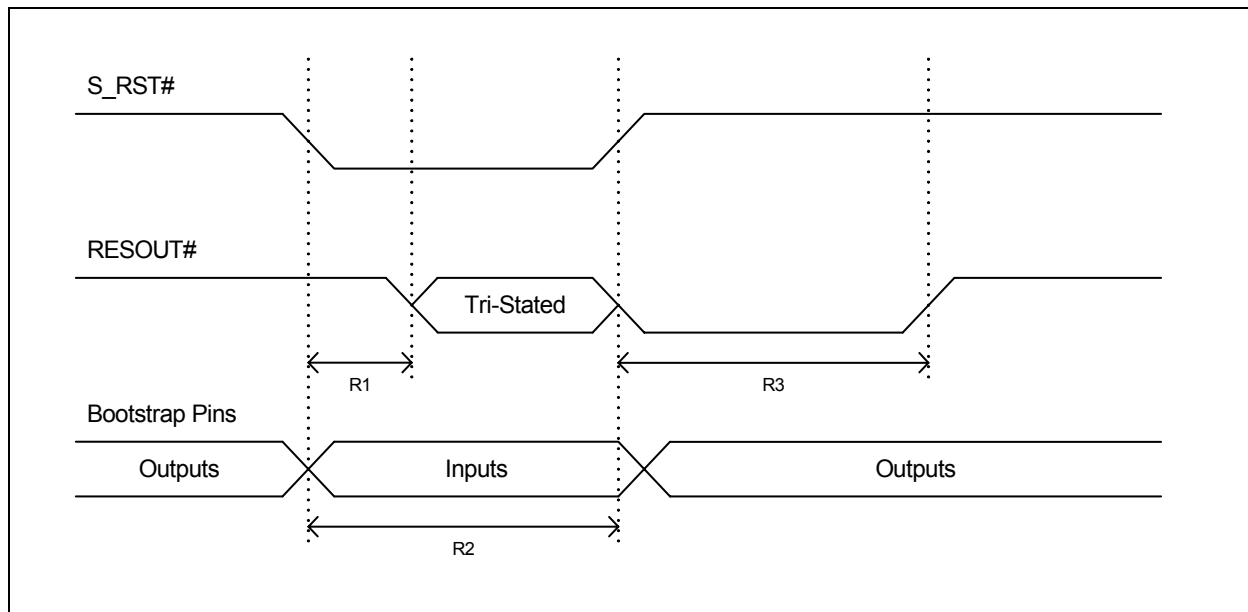


Figure 8 - Typical Reset & Bootstrap Timing Diagram

Symbol	Parameter	Min	Typ	Note:
R1	Delay until RESOUT# is tri-stated		10ns	RESOUT# state is then determined by the external pull-up/down resistor
R2	Bootstrap stabilization	1 μ s	10 μ s	Bootstrap pins sampled on rising edge of S_RST# ¹
R3	RESOUT# assertion		2ms	

Table 5 - Reset & Bootstrap Timing

1. The T_D[15:0] pins will switch over to the LED interface functionality in 3 SCLK cycles after S_RST# goes high

12.5.2 Typical CPU Timing Diagram for a CPU Write Cycle

Description		(SCLK=133Mhz)		
Write Cycle	Symbol	Min (ns)	Max (ns)	
Write Set up Time	T_{WS}	10		
Write Active Time	T_{WA}	15		At least 2 SCLK
Write Hold Time	T_{WH}	2		
Write Recovery time	T_{WR}	22.5		At least 3 SCLK
Data Set Up time	T_{DS}	10		
Data Hold time	T_{DH}	2		

Table 6 - CPU Write Cycle

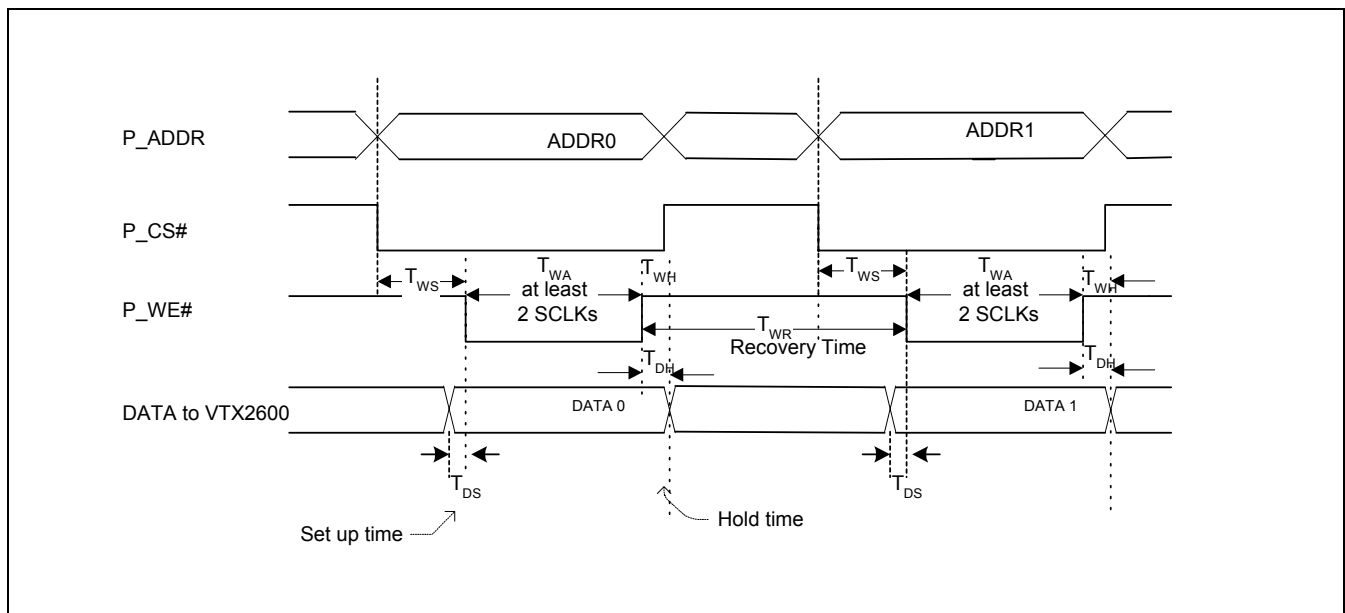


Figure 9 - Typical CPU Timing Diagram for a CPU Write Cycle

12.5.3 Typical CPU Timing Diagram for a CPU Read Cycle

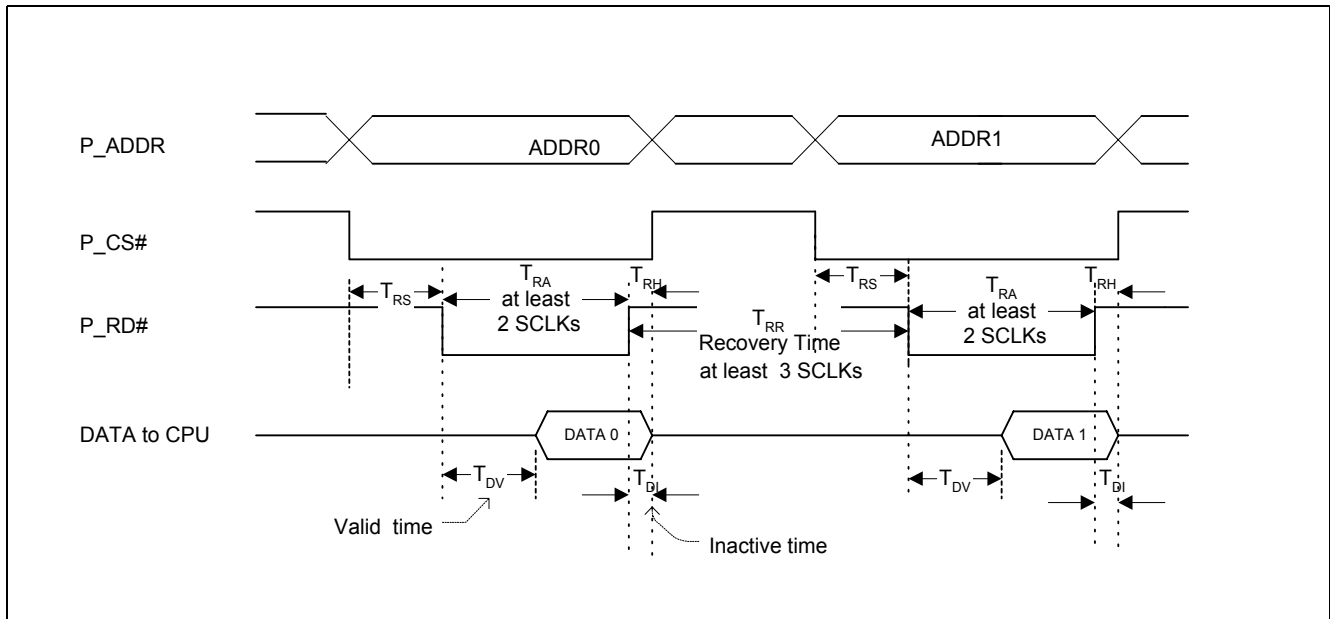


Figure 10 - Typical CPU Timing Diagram for a CPU Read Cycle

Description		(SCLK=133Mhz)		
Read Cycle	Symbol	Min (ns)	Max (ns)	
Read Set up Time	T_{RS}	10		
Read Active Time	T_{RA}	15		At least 2 SCLK
Read Hold Time	T_{RH}	2		
Read Recovery time	T_{RR}	22.5		At least 3 SCLK
Data Valid time	T_{DS}		10	
Data Inactive time	T_{DI}		2	

Table 7 - CPU Read Cycle

12.5.4 Local Frame Buffer ZBT SRAM Memory Interface

12.5.4.1 Local ZBT SRAM Memory Interface A

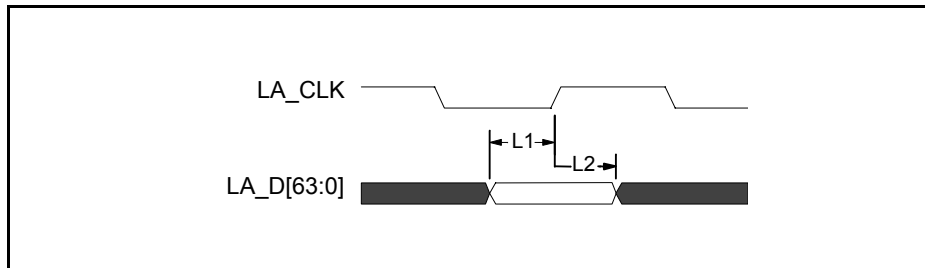


Figure 11 - Local Memory Interface – Input setup and hold timing

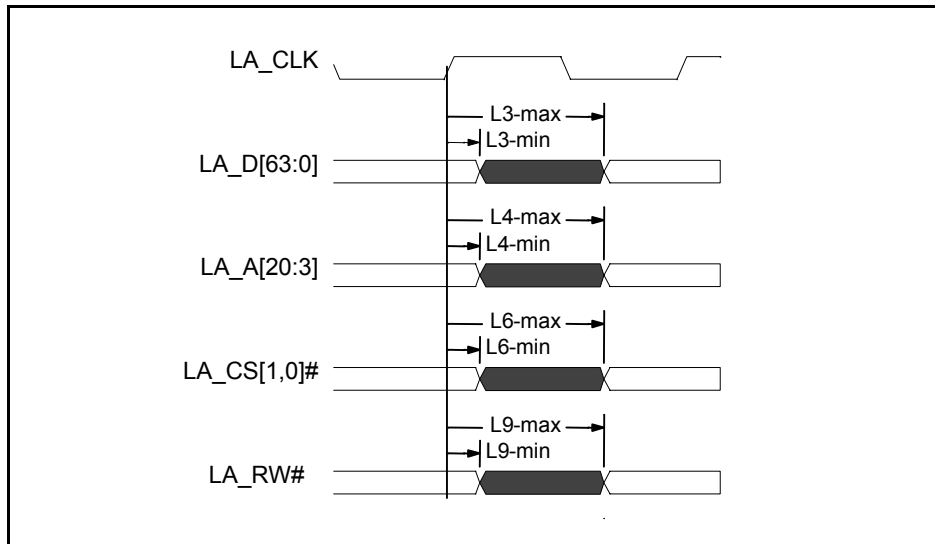


Figure 12 - Local Memory Interface - Output valid delay timing

Symbol	Parameter	(SCLK= 133MHz)		Note:
		Min (ns)	Max (ns)	
L1	LA_D[63:0] input set-up time	2.5		
L2	LA_D[63:0] input hold time	1		1
L3	LA_D[63:0] output valid delay	3.0	5	$2C_L = 25\text{pf}$
L4	LA_A[20:3] output valid delay	3.0	5	$3C_L = 30\text{pf}$
L6	LA_CS[1:0]# output valid delay	3.0	5	$4C_L = 30\text{pf}$
L9	LA_WE# output valid delay	3.0	5	$5C_L = 25\text{pf}$

Table 8 - AC Characteristics – Local frame buffer ZBT-SRAM Memory Interface A

12.5.4.2 Local ZBT SRAM Memory Interface B

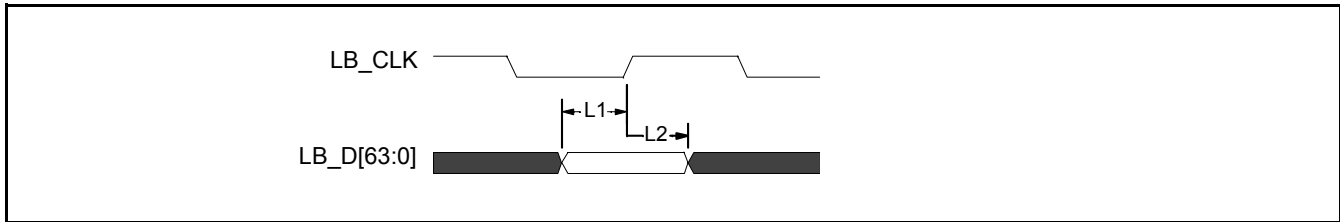


Figure 13 - Local Memory Interface – Input setup and hold timing

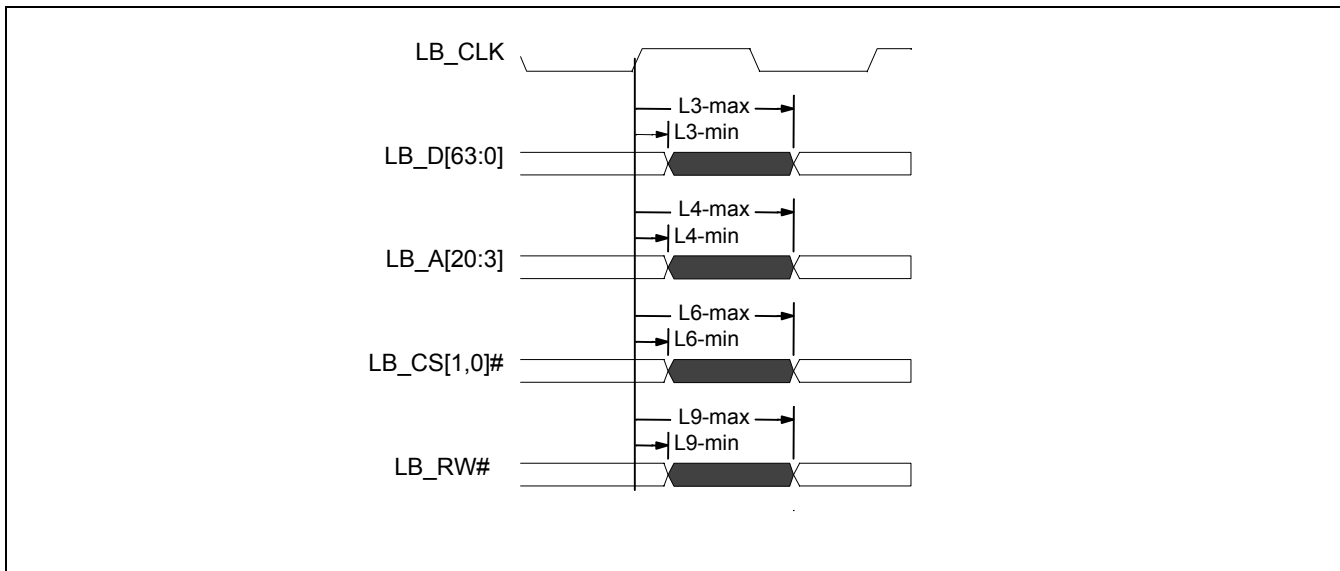


Figure 14 - Local Memory Interface - Output valid delay timing

Symbol	Parameter	(SCLK= 133MHz)		Note:
		Min (ns)	Max (ns)	
L1	LB_D[63:0] input set-up time	2.5		
L2	LB_D[63:0] input hold time	1		
L3	LB_D[63:0] output valid delay	3.0	5	$C_L = 25\text{pf}$
L4	LB_A[20:3] output valid delay	3.0	5	$C_L = 30\text{pf}$
L6	LB_CS[1:0]# output valid delay	3.0	5	$C_L = 30\text{pf}$
L9	LB_WE# output valid delay	3.0	5	$C_L = 25\text{pf}$

Table 9 - AC Characteristics – Local frame buffer ZBT-SRAM Memory Interface B

12.5.5 Local Switch Database SBRAM Memory Interface

12.5.5.1 Local SBRAM Memory Interface

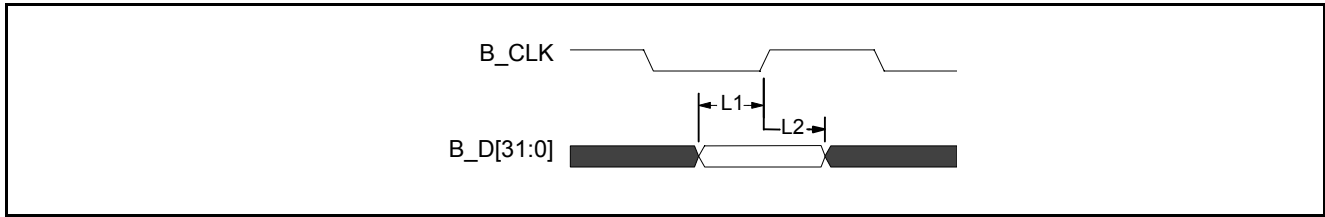


Figure 15 - Local Memory Interface – Input setup and hold timing

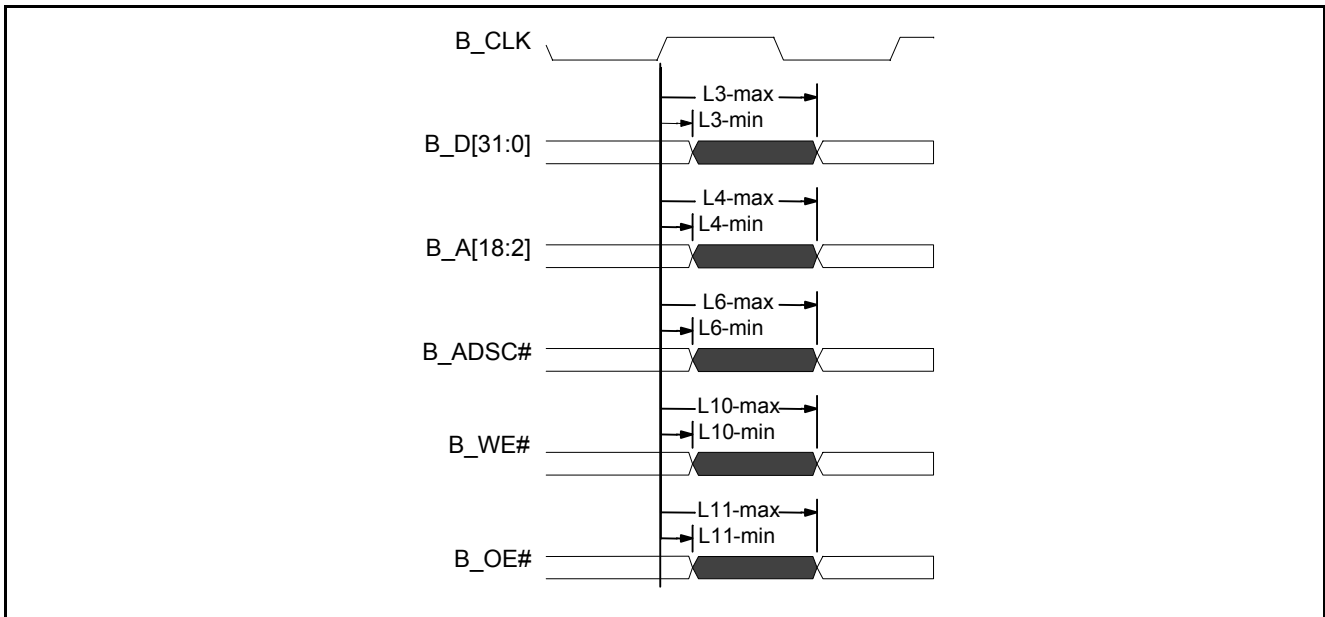


Figure 16 - Local Memory Interface - Output valid delay timing

Symbol	Parameter	(SCLK= 133MHz)		Note:
		Min (ns)	Max (ns)	
L1	B_D[31:0] input set-up time	2.5		
L2	B_D[31:0] input hold time	1		
L3	B_D[31:0] output valid delay	3.0	5	$C_L = 25\text{pf}$
L4	B_A[18:2] output valid delay	3.0	5	$C_L = 30\text{pf}$
L6	B_ADSC# output valid delay	3.0	5	$C_L = 30\text{pf}$
L10	B_WE# output valid delay	3.0	5	$C_L = 25\text{pf}$
L11	B_OE# output valid delay	3.0	4	$C_L = 25\text{pf}$

Table 10 - AC Characteristics – Local Switch Database SBRAM Memory Interface

12.5.6 Media Independent Interface

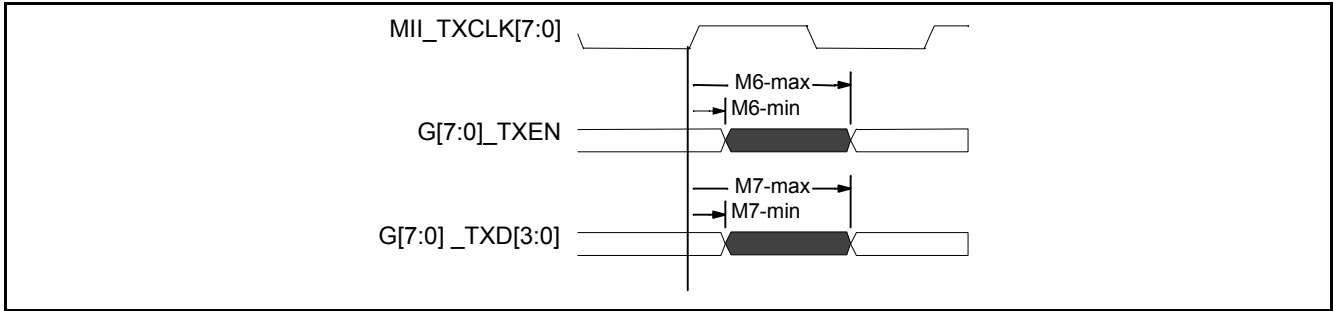


Figure 17 - AC Characteristics – Media Independent Interface

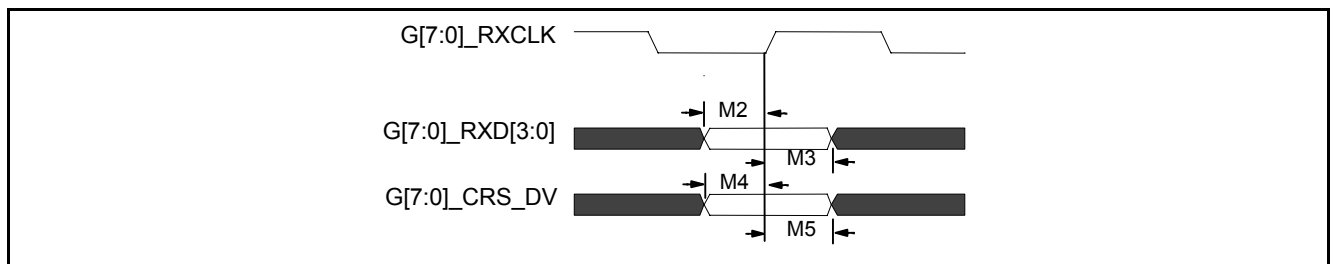


Figure 18 - AC Characteristics – Media Independent Interface

Symbol	Parameter	(MII_TXCLK & G_RXCLK = 25MHz)		Note:
		Min (ns)	Max (ns)	
M2	G[7:0]_RXD[3:0] Input Setup Time	4		
M3	G[7:0]_RXD[3:0] Input Hold Time	1		
M4	G[7:0]_CRS_DV Input Setup Time	4		
M5	G[7:0]_CRS_DV Input Hold Time	1		
M6	G[7:0]_TXEN Output Delay Time	3	11	C _L = 20 pF
M7	G[7:0]_TXD[3:0] Output Delay Time	3	11	C _L = 20 pF

Table 11 - AC Characteristics – Media Independent Interface

12.5.7 Gigabit Media Independent Interface

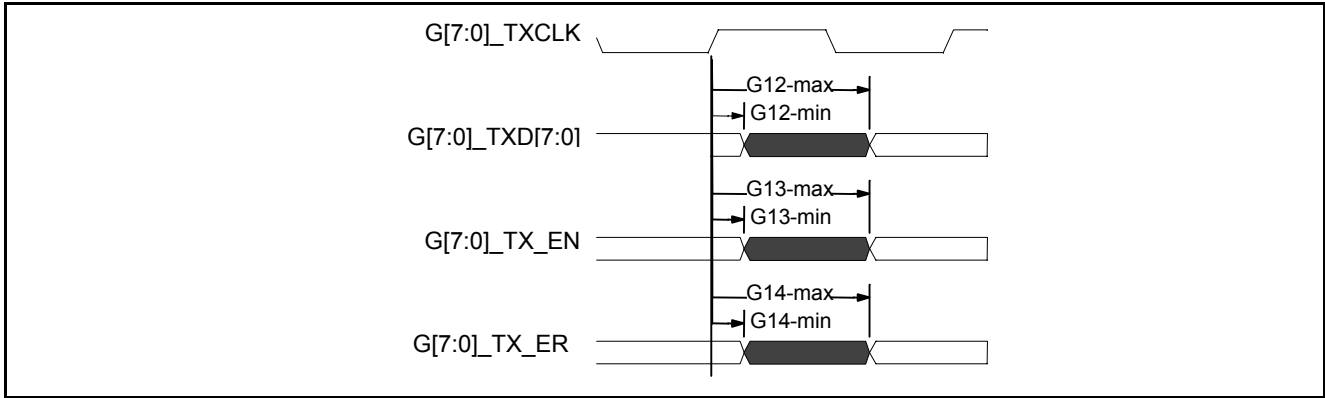


Figure 19 - AC Characteristics - GMII

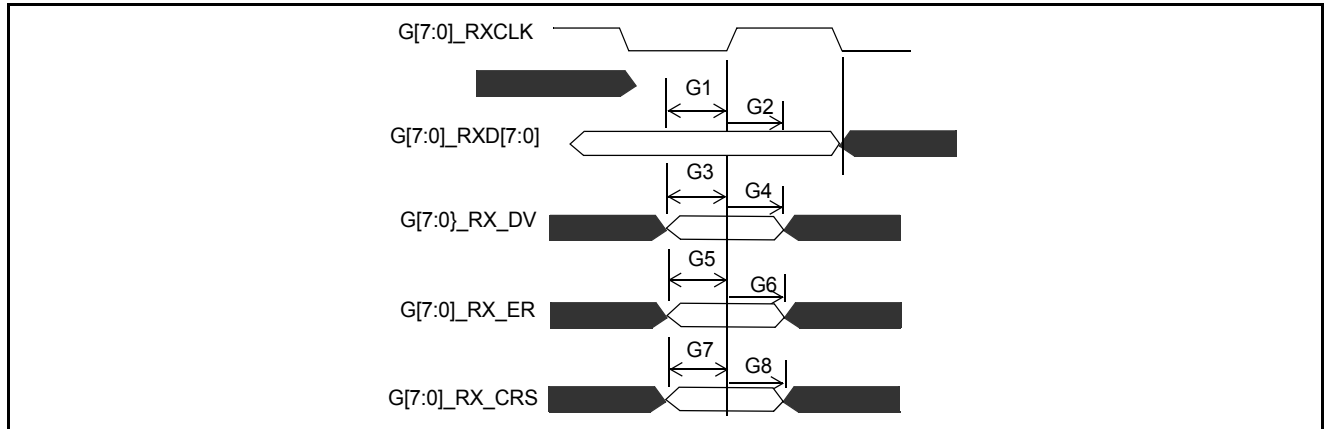


Figure 20 - AC Characteristics – Gigabit Media Independent Interface

Symbol	Parameter	(G_RCLK & G_REFCLK = 125MHz)		Note:
		Min (ns)	Max (ns)	
G1	G[7:0]_RXD[7:0] Input Setup Times	2		
G2	G[7:0]_RXD[7:0] Input Hold Times	1		
G3	G[7:0]_RX_DV Input Setup Times	2		
G4	G[7:0]_RX_DV Input Hold Times	1		
G5	G[7:0]_RX_ER Input Setup Times	2		
G6	G[7:0]_RX_ER Input Hold Times	1		
G7	G[7:0]_CRS Input Setup Times	2		
G8	G[7:0]_CRS Input Hold Times	1		

Table 12 - AC Characteristics – Gigabit Media Independent Interface

Symbol	Parameter	(G_RCLK & G_REFCLK = 125MHz)		Note:
		Min (ns)	Max (ns)	
G12	G[7:0]_TXD[7:0] Output Delay Times	1.5	5	C _L = 20pf
G13	G[7:0]_TX_EN Output Delay Times	2	5	C _L = 20pf
G14	G[7:0]_TX_ER Output Delay Times	1	5	C _L = 20pf

Table 12 - AC Characteristics – Gigabit Media Independent Interface (continued)

12.5.8 PCS Interface

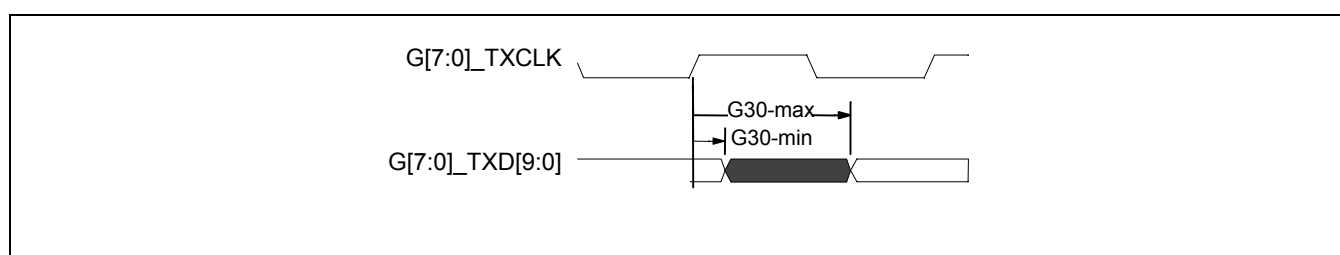


Figure 21 - AC Characteristics – PCS Interface

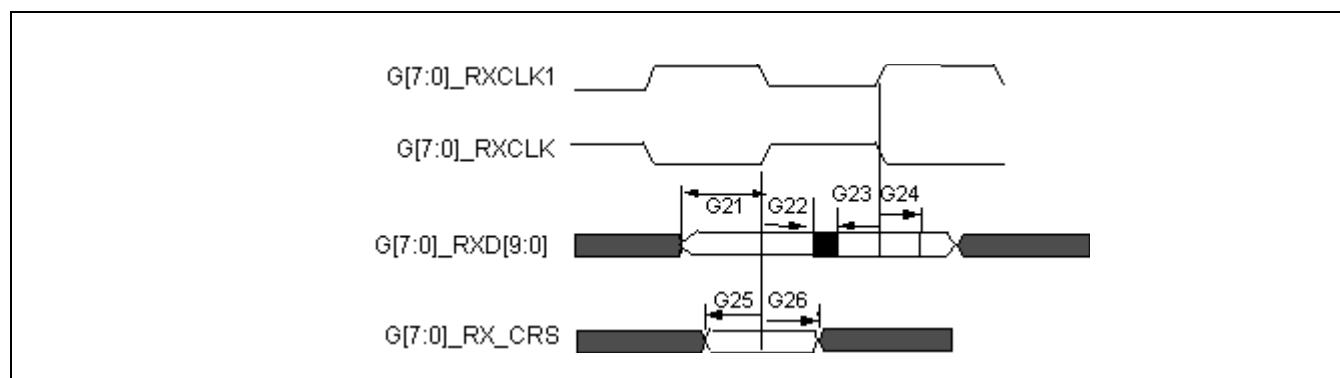


Figure 22 - AC Characteristics – PCS Interface

Symbol	Parameter	(G_RCLK & G_REFCLK = 125MHz)		Note:
		Min (ns)	Max (ns)	
G21	G[7:0]_RXD[9:0] Input Setup Times ref to G_RXCLK	2		
G22	G[7:0]_RXD[9:0] Input Hold Times ref to G_RXCLK	1		

Table 13 - AC Characteristics – PCS Interface

		(G_RCLK & G_REFCLK = 125MHz)		
Symbol	Parameter	Min (ns)	Max (ns)	Note:
G23	G[7:0]_RXD[9:0] Input Setup Times ref to G_RXCLK1	2		
G24	G[7:0]_RXD[9:0] Input Hold Times ref to G_RXCLK1	1		
G25	G[7:0]_CRS Input Setup Times	2		
G26	G[7:0]_CRS Input Hold Times	1		
G30	G[7:0]_TXD[9:0] Output Delay Times	1	5	C _L = 20pf

Table 13 - AC Characteristics – PCS Interface (continued)

12.5.9 LED Interface

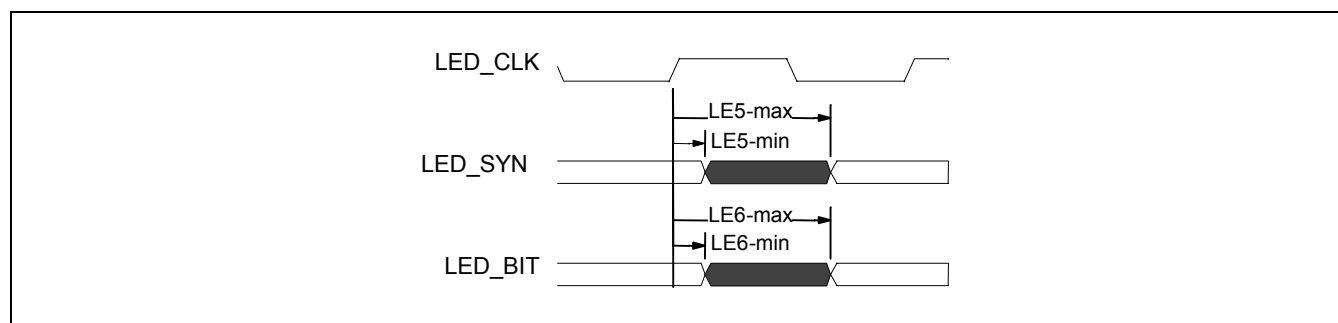


Figure 23 - AC Characteristics – LED Interface

Symbol	Parameter	Variable FREQ.		Note:
		Min (ns)	Max (ns)	
LE5	LED_SYN Output Valid Delay	1	7	C _L = 30pf
LE6	LED_BIT Output Valid Delay	1	7	C _L = 30pf

Table 14 - AC Characteristics – LED Interface

12.5.10 MDIO Input Setup and Hold Timing

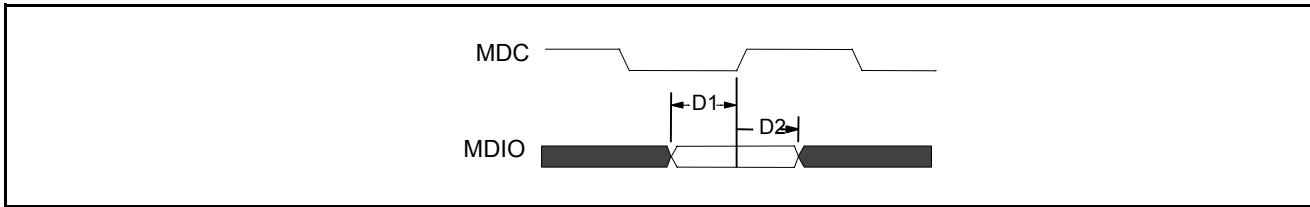


Figure 24 - MDIO Input Setup and Hold Timing

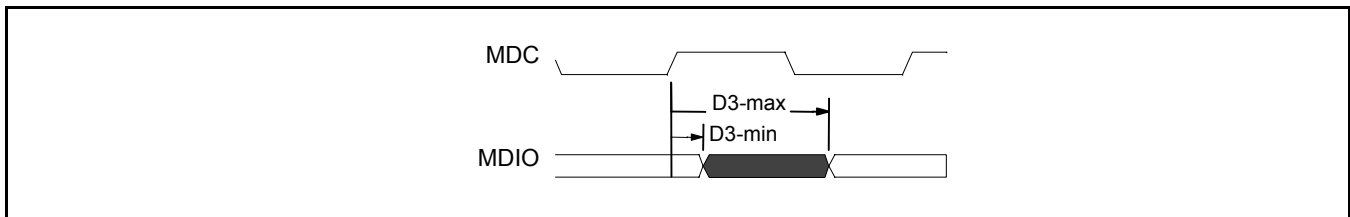


Figure 25 - MDIO Output Delay Timing

Symbol	Parameter	1MHz		Note:
		Min (ns)	Max (ns)	
D1	MDIO input setup time	10		
D2	MDIO input hold time	2		
D3	MDIO output delay time	1	20	$C_L = 50\text{pf}$

Table 15 - MDIO Timing

12.5.11 I²C Input Setup Timing

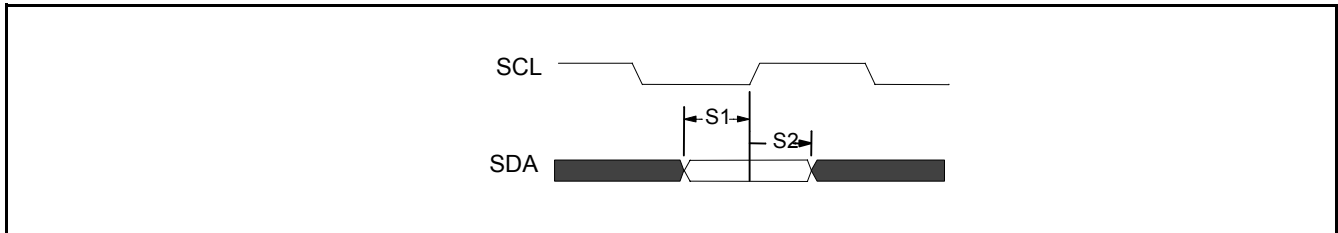


Figure 26 - I²C Input Setup Timing

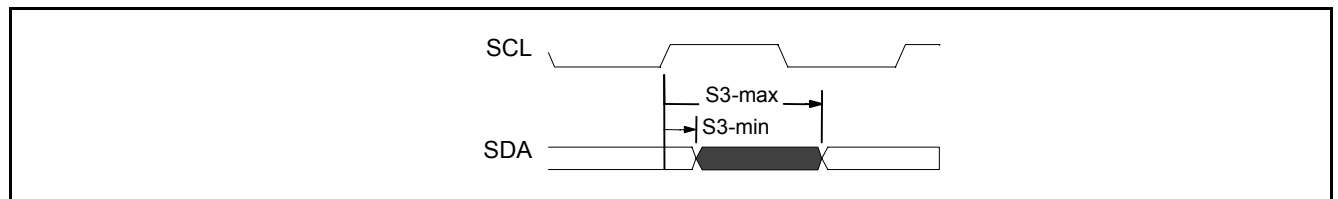


Figure 27 - I²C Output Delay Timing

Symbol	Parameter	500KHz		Note:
		Min (ns)	Max (ns)	
S1	SDA input setup time	20		
S2	SDA input hold time	1		
S3*	SDA output delay time	1	20	C _L = 30pf

* Open Drain Output. Low to High transistor is controlled by external pullup resistor.

Table 16 - I²C Timing

12.5.12 Serial Interface Setup Timing

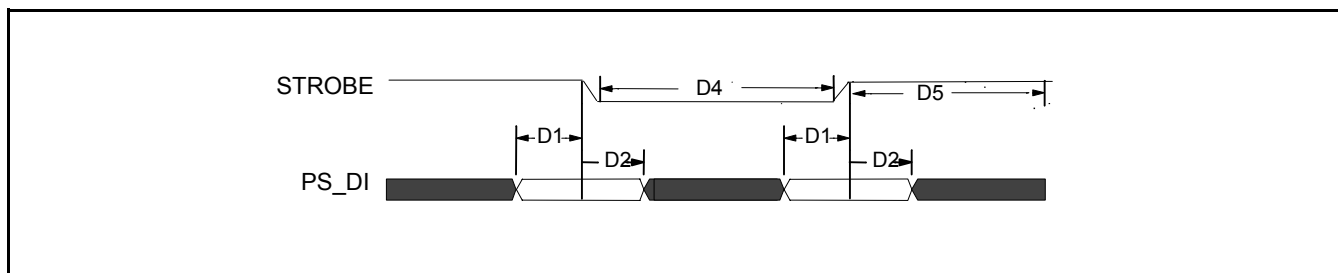


Figure 28 - Serial Interface Setup Timing

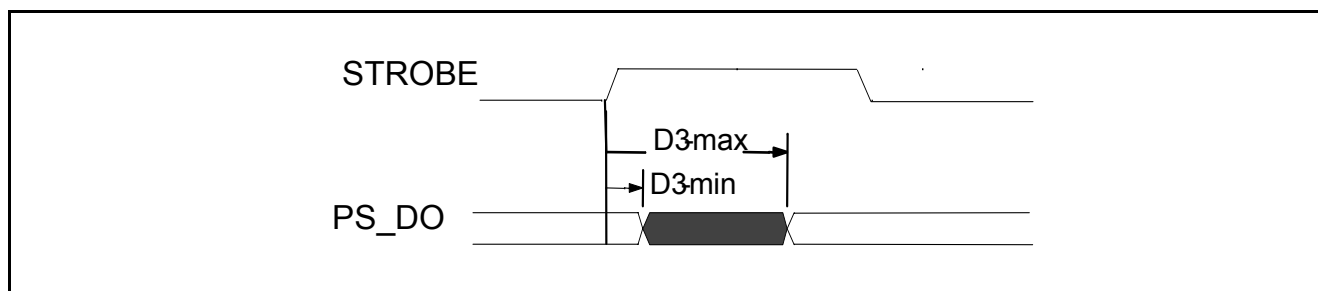
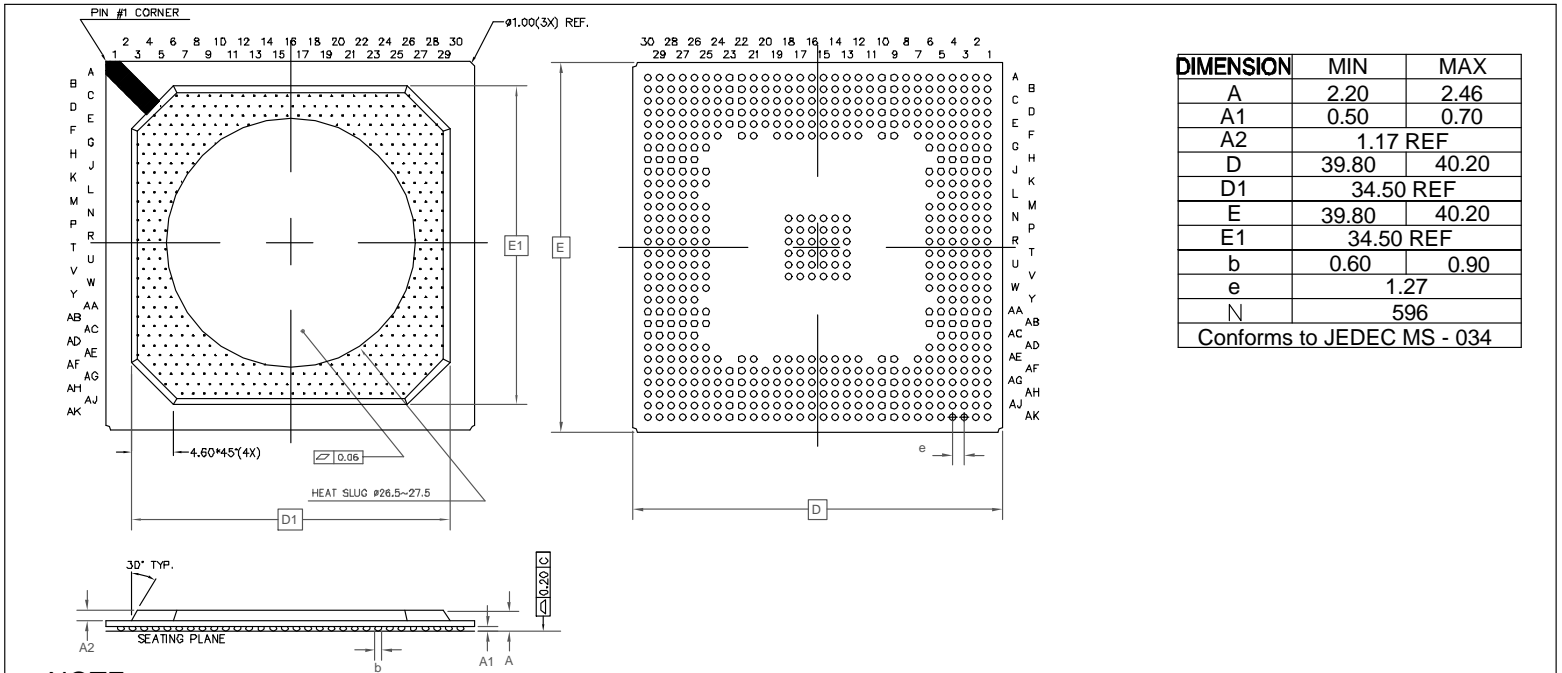


Figure 29 - Serial Interface Output Delay Timing

Symbol	Parameter	(SCLK =133 MHz)		Note:
		Min (ns)	Max (ns)	
D1	PS_DI setup time	20		
D2	PS_DI hold time	10		
D3	PS_DO output delay time	1	50	$C_L = 100\text{pf}$
D4	Strobe low time	$5\mu\text{s}$		
D5	Strobe high time	$5\mu\text{s}$		


Table 17 - Serial Interface Timing



DIMENSION	MIN	MAX
A	2.20	2.46
A1	0.50	0.70
A2	1.17 REF	
D	39.80	40.20
D1	34.50 REF	
E	39.80	40.20
E1	34.50 REF	
b	0.60	0.90
e	1.27	
N	596	
Conforms to JEDEC MS - 034		

NOTE:

1. CONTROLLING DIMENSIONS ARE IN MM
2. DIMENSION "b" IS MEASURED AT THE MAXIMUM SOLDER BALL DIAMETER
3. SEATING PLANE IS DEFINED BY THE SPHERICAL CROWNS OF THE SOLDER BALLS.
4. N IS THE NUMBER OF SOLDER BALLS
5. NOT TO SCALE.
6. SUBSTRATE THICKNESS IS 0.56 MM

© Zarlink Semiconductor 2002 All rights reserved.					Package Code	GK
ISSUE	1				Previous package codes:	Package Outline for 596 Ball HSBGA (40x40x2.33mm)
ACN	213931				BH / G	
DATE	20Jan03					GPD00817
APPRD.						



**For more information about all Zarlink products
visit our Web Site at
www.zarlink.com**

Information relating to products and services furnished herein by Zarlink Semiconductor Inc. or its subsidiaries (collectively "Zarlink") is believed to be reliable. However, Zarlink assumes no liability for errors that may appear in this publication, or for liability otherwise arising from the application or use of any such information, product or service or for any infringement of patents or other intellectual property rights owned by third parties which may result from such application or use. Neither the supply of such information or purchase of product or service conveys any license, either express or implied, under patents or other intellectual property rights owned by Zarlink or licensed from third parties by Zarlink, whatsoever. Purchasers of products are also hereby notified that the use of product in certain ways or in combination with Zarlink, or non-Zarlink furnished goods or services may infringe patents or other intellectual property rights owned by Zarlink.

This publication is issued to provide information only and (unless agreed by Zarlink in writing) may not be used, applied or reproduced for any purpose nor form part of any order or contract nor to be regarded as a representation relating to the products or services concerned. The products, their specifications, services and other information appearing in this publication are subject to change by Zarlink without notice. No warranty or guarantee express or implied is made regarding the capability, performance or suitability of any product or service. Information concerning possible methods of use is provided as a guide only and does not constitute any guarantee that such methods of use will be satisfactory in a specific piece of equipment. It is the user's responsibility to fully determine the performance and suitability of any equipment using such information and to ensure that any publication or data used is up to date and has not been superseded. Manufacturing does not necessarily include testing of all functions or parameters. These products are not suitable for use in any medical products whose failure to perform may result in significant injury or death to the user. All products and materials are sold and services provided subject to Zarlink's conditions of sale which are available on request.

Purchase of Zarlink's I²C components conveys a licence under the Philips I²C Patent rights to use these components in and I²C System, provided that the system conforms to the I²C Standard Specification as defined by Philips.

Zarlink, ZL and the Zarlink Semiconductor logo are trademarks of Zarlink Semiconductor Inc.

Copyright Zarlink Semiconductor Inc. All Rights Reserved.

TECHNICAL DOCUMENTATION - NOT FOR RESALE