



# 8x4 Video Crosspoint Switches with Buffers

## General Description

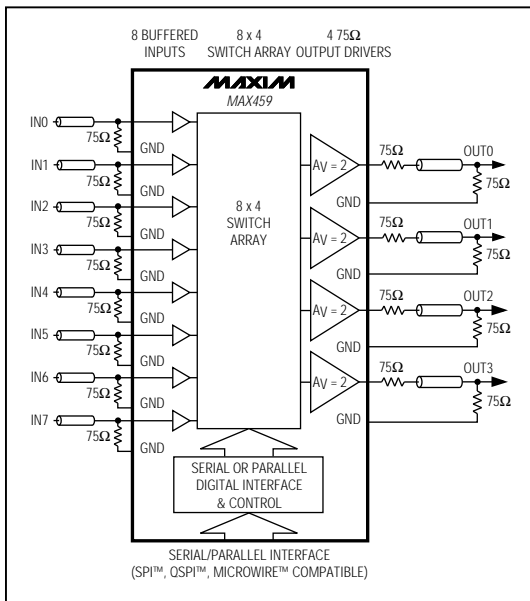
The MAX458/MAX459 are crosspoint switches with eight input channels and four high-speed, buffered output channels. The MAX458 output buffer is configured with a gain of one, while the MAX459 buffer has a gain of two. In each device, any one of eight input lines can be connected to any of four output amplifiers. The output buffers are capable of driving loads of 75Ω.

Data interface can be accomplished by either a 16-bit serial or a 6-bit parallel connection. In the serial mode, the MAX458/MAX459 are SPI™, QSPI™, and Microwire™ compatible. In parallel mode, the MAX458/MAX459 are compatible with most microprocessor buses. Three-state amplifier output capability makes it possible to multiplex MAX458/MAX459s to form larger switch networks. The output buffers can be disabled individually or the entire device can be shut down to conserve power.

## Applications

- Video Test Equipment
- Video Security Systems
- Video Editing

## Block Diagram



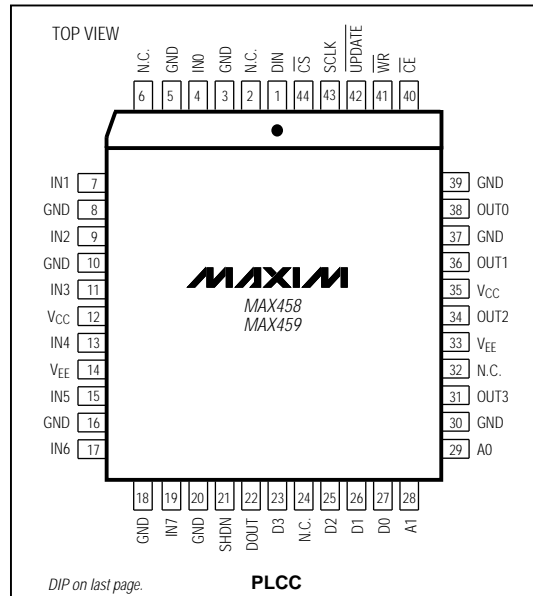
## Features

- ◆ 100MHz Unity-Gain Bandwidth
- ◆ 300V/μs Slew Rate
- ◆ Low 0.05° Differential Phase Error
- ◆ Low 0.01% Differential Gain Error
- ◆ Directly Drives 75Ω Cables
- ◆ Fast 60ns Switching Time
- ◆ High-Z Amplifier Output Capability
- ◆ Shutdown Capability
- ◆ 16-Bit Serial and 6-Bit Parallel Address Modes
- ◆ 40-Pin DIP and 44-Pin PLCC Packages

## Ordering Information

PART	TEMP. RANGE	PIN-PACKAGE
MAX458CPL	0°C to +70°C	40 Plastic DIP
MAX458CQH	0°C to +70°C	44 PLCC
MAX458EPL	-40°C to +85°C	40 Plastic DIP
MAX459CPL	0°C to +70°C	40 Plastic DIP
MAX459CQH	0°C to +70°C	44 PLCC
MAX459EPL	-40°C to +85°C	40 Plastic DIP

## Pin Configurations



MAX458/MAX459

™ SPI and QSPI are trademarks of Motorola, Inc. Microwire is a trademark of National Semiconductor Corp.



Call toll free 1-800-998-8800 for free samples or literature.

## 8x4 Video Crosspoint Switches with Buffers

### ABSOLUTE MAXIMUM RATINGS

Total Supply Voltage (V <sub>CC</sub> to V <sub>EE</sub> )	12V
Positive Supply Voltage (V <sub>CC</sub> to GND)	6V
Negative Supply Voltage (V <sub>EE</sub> to GND)	6V
Analog Input/Output Voltage	(V <sub>CC</sub> + 0.3V) to (V <sub>EE</sub> - 0.3V)
Digital Input Voltage	(V <sub>CC</sub> + 0.3V) to -0.3V
Duration of Output Short Circuit to GND (Note 1)	Continuous
Continuous Power Dissipation	
Plastic DIP (derate 17mW/°C above +70°C)	1333mW
PLCC (derate 13mW/°C above +70°C)	1067mW

### Operating Temperature Ranges

MAX45_C_	0°C to +70°C
MAX45_E_	-40°C to +85°C
Junction Temperature	+150°C
Storage Temperature Range	-65°C to +160°C
Lead Temperature (soldering, 10sec)	+300°C

**Note 1:** Outputs may be shorted to any supply pin or ground as long as package power dissipation ratings are not exceeded.

Stresses beyond those listed under "Absolute Maximum Ratings" may cause permanent damage to the device. These are stress ratings only, and functional operation of the device at these or any other conditions beyond those indicated in the operational sections of the specifications is not implied. Exposure to absolute maximum rating conditions for extended periods may affect device reliability.

### ELECTRICAL CHARACTERISTICS

(V<sub>CC</sub> = +5V, V<sub>EE</sub> = -5V, -2V ≤ V<sub>IN</sub> ≤ +2V, output load resistor (R<sub>L</sub>) = 150Ω, T<sub>A</sub> = T<sub>MIN</sub> to T<sub>MAX</sub>, unless otherwise noted. Typical values are at T<sub>A</sub> = +25°C.)

PARAMETER	SYMBOL	CONDITIONS	MIN	TYP	MAX	UNITS		
<b>STATIC SPECIFICATIONS</b>								
Input Voltage Range			-2		+2	V		
Input Offset Voltage	V <sub>OS</sub>	Any channel	T <sub>A</sub> = +25°C		5	15	mV	
			T <sub>A</sub> = T <sub>MIN</sub> to T <sub>MAX</sub>			20		
Input Offset Voltage Match	ΔV <sub>OS</sub>	V <sub>IN</sub> = 0V (Note 2)		3	10	mV		
Power-Supply Rejection Ratio	PSRR	V <sub>S</sub> = ±4.75V to ±5.25V	50	60		dB		
On Input Bias Current	I <sub>IN</sub>	V <sub>IN</sub> = 0V, input programmed to one output		±1	±5	μA		
On Input Resistance	R <sub>IN</sub>	Input programmed to one output	0.50	5.0		MΩ		
Input Capacitance	C <sub>IN</sub>	Input channel on or off		7		pF		
DC Voltage Gain Accuracy		MAX458 (Note 3)	T <sub>A</sub> = +25°C		0.1	0.5	%	
			T <sub>A</sub> = T <sub>MIN</sub> to T <sub>MAX</sub>			1.0		
		MAX459 (Note 4)	T <sub>A</sub> = +25°C		0.1	1.0		
			T <sub>A</sub> = T <sub>MIN</sub> to T <sub>MAX</sub>			2.0		
Output Voltage Swing	V <sub>OUT</sub>		±2	±3		V		
Enabled Output Resistance	R <sub>OUT</sub>	V <sub>IN</sub> = 1kHz sine wave			0.05	Ω		
		V <sub>IN</sub> = 10MHz sine wave			4.0			
Disabled Output Resistance	R <sub>OUT</sub>	MAX458	0.25	1.0		MΩ		
		MAX459	0.70	1.0		kΩ		
Disabled Output Capacitance	C <sub>OUT</sub>			12		pF		
Positive Power-Supply Current	I <sub>CC</sub>	V <sub>IN</sub> = 0V, all amplifiers enabled	T <sub>A</sub> = +25°C		60	75	85	mA
			T <sub>A</sub> = T <sub>MIN</sub> to T <sub>MAX</sub>		50	100		
Negative Power-Supply Current	I <sub>EE</sub>	V <sub>IN</sub> = 0V, all amplifiers enabled	T <sub>A</sub> = +25°C		50	65	75	mA
			T <sub>A</sub> = T <sub>MIN</sub> to T <sub>MAX</sub>		40	90		
Positive Supply Current in Shutdown				15	26	mA		
Negative Supply Current in Shutdown				7	12	mA		
Logic Input High Voltage	V <sub>IH</sub>	(Note 5)			2.0	V		
Logic Input Low Voltage	V <sub>IL</sub>	(Note 5)	0.8			V		

# 8x4 Video Crosspoint Switches with Buffers

MAX458/MAX459

## ELECTRICAL CHARACTERISTICS (continued)

( $V_{CC} = +5V$ ,  $V_{EE} = -5V$ ,  $-2V \leq V_{IN} \leq +2V$ , output load resistor ( $R_L$ ) =  $150\Omega$ ,  $T_A = T_{MIN}$  to  $T_{MAX}$ , unless otherwise noted. Typical values are at  $T_A = +25^\circ C$ .)

PARAMETER	SYMBOL	CONDITIONS	MIN	TYP	MAX	UNITS
Logic Input High Current	$I_{IH}$	(Note 3)			10	$\mu A$
Logic Input Low Current	$I_{IL}$	(Note 3)			10	$\mu A$
Logic Output High Voltage	$V_{OH}$	$I_{SOURCE} = 400\mu A$ (Note 5)	4.0			V
Logic Output Low Voltage	$V_{OL}$	$I_{SINK} = 1.6mA$ (Note 5)			0.5	V
<b>DYNAMIC SPECIFICATIONS</b>						
Differential Gain Error (Note 6)	DG	MAX458		0.01		%
		MAX459		0.13		
Differential Phase Error (Note 6)	DG	MAX458		0.05		degrees
		MAX459		0.14		
Slew Rate	SR	MAX458	Positive transition	200		$V/\mu s$
			Negative transition	150		
		MAX459	Positive transition	300		
			Negative transition	250		
Bandwidth (-3dB)	BW	MAX458, $R_L = 75\Omega$		100		MHz
		MAX459, $R_L = 150\Omega$		90		
Input Noise Density	$e_n$	$f = 10kHz$		20		$nV/\sqrt{Hz}$
Settling Time	$t_S$	To 0.1% of final value (Note 7)		40		ns
Amplifier Disable Time	$t_{AOFF}$			100		ns
Amplifier Enable Time	$t_{AON}$			120		ns
Channel Switching Time	$t_{CSW}$			60		ns
Channel Switching Propagation Delay	$t_{CPD}$			50		ns
Switching Transient Glitch		See <i>Typical Operating Characteristics</i>		100		$mV_{p-p}$
Adjacent Channel Crosstalk		(Note 8)		-65		dB
Non-Adjacent Channel Crosstalk		(Note 9)		-65		dB
All-Hostile Crosstalk		(Note 10)		-55		dB
All-Hostile Off Isolation		(Note 11)		-60		dB

**Note 2:** Defined as the DC offset shift when switching between input channels for a given output.

**Note 3:** Voltage Gain Accuracy for MAX458 calculated as  $\frac{(V_{OUT} - V_{IN}) @ (V_{IN} = +2V) - (V_{OUT} - V_{IN}) @ (V_{IN} = -2V)}{4V}$

**Note 4:** Voltage Gain Accuracy for MAX459 calculated as  $\frac{(V_{OUT}/2 - V_{IN}) @ (V_{IN} = +1V) - (V_{OUT}/2 - V_{IN}) @ (V_{IN} = -1V)}{2V}$

**Note 5:** All logic levels are guaranteed over the range of  $V_S = \pm 4.75V$  to  $\pm 5.25V$ .

**Note 6:** Differential phase and gain measured with a 40 IRE (285.7mV), 3.58MHz sine wave superimposed on a linear ramp of 0 IRE to 100 IRE (714.3mV). "The IRE scale is a linear scale for measuring, in arbitrary IRE units, the relative amplitudes of the various components of a television signal" (from the "Television Engineering Handbook", edited by K. Blair Benson, McGraw Hill). This system defines 100 IRE as reference white, 0 IRE as the blanking level, and -40 IRE as the sync peak. The equipment used for the test signal generated 714.3mV (100 IRE) as reference white and -285.7mV (-40 IRE) as sync. The modulation used was 285.7mV (40 IRE), which conforms to the EIA color signal standards.

**Note 7:** For MAX458, step input from +2V to 0V; for MAX459, step input from +1V to 0V. All unused channels grounded and all unused amplifiers disabled.

**Note 8:** Test input channel programmed to an output and grounded through a  $75\Omega$  resistor. Adjacent input is programmed to an adjacent output and driven by a 10MHz, 4Vp-p sine wave.

**Note 9:** Same as Note 6 above, except driven input and output are not adjacent to test input/output.

**Note 10:** All inputs but the test input are driven by a 10MHz 4Vp-p sine wave. All outputs except the test output are connected to driven inputs.

**Note 11:** Same as Note 9 above, except with test channel programmed off.

## 8x4 Video Crosspoint Switches with Buffers

MAX458/MAX459

### TIMING CHARACTERISTICS (Note 12)

( $V_{CC} = +5V$ ,  $V_{EE} = -5V$ ,  $-2V \leq V_{IN} \leq +2V$ , output load resistor ( $R_L$ ) =  $150\Omega$ ,  $T_A = T_{MIN}$  to  $T_{MAX}$ , unless otherwise noted.)

PARAMETER	SYMBOL	CONDITIONS	MIN	MAX	UNITS
<b>PARALLEL-MODE TIMING</b> (see Figure 1)					
Address to $\overline{WR}$ Fall Setup Time	$t_{ADS}$		20		ns
Address to $\overline{WR}$ Rise Hold Time	$t_{ADH}$		0		ns
$\overline{CE}$ Fall to $\overline{WR}$ Fall Setup Time	$t_{CES}$		0		ns
$\overline{CE}$ Rise to $\overline{WR}$ Rise Hold Time	$t_{CEH}$		0		ns
$\overline{WR}$ Pulse Width Low	$t_{WR}$		40		ns
Data to $\overline{WR}$ Rise Setup Time	$t_{DS}$		50		ns
Data to $\overline{WR}$ Rise Hold Time	$t_{DH}$		0		ns
$\overline{WR}$ Rise to $\overline{UPDATE}$ Fall Setup Time	$t_{WRS}$		0		ns
$\overline{UPDATE}$ Pulse Width Low	$t_{UP}$		40		ns
$\overline{UPDATE}$ Rise to $\overline{WR}$ Fall Setup Time	$t_{UPS}$		25		ns
<b>SERIAL-MODE TIMING</b> (see Figure 6)					
SCLK to $\overline{CS}$ Fall	$t_{CSO}$		0		ns
$\overline{CS}$ Fall to SCLK Rise	$t_{CSS}$		35		ns
SCLK Pulse Width High	$t_{CH}$		50		ns
SCLK Pulse Width Low	$t_{CL}$		30		ns
DIN to SCLK Rise Setup Time	$t_{DS}$		50		ns
DIN to SCLK Rise Hold Time	$t_{DH}$		0		ns
SCLK Fall to DOUT	$t_{DO}$			200	ns
SCLK Rise to $\overline{CS}$ Rise	$t_{CSH}$		30		ns
$\overline{CS}$ Rise to SCLK Rise	$t_{CS1}$		20		ns
$\overline{CS}$ Pulse Width High	$t_{CSW}$		100		ns

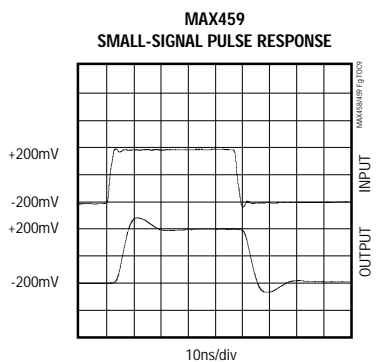
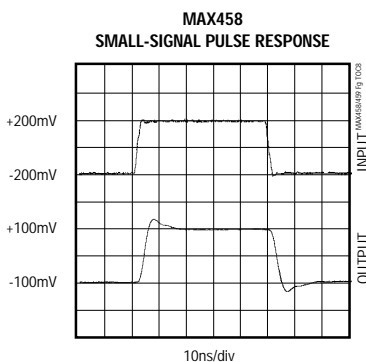
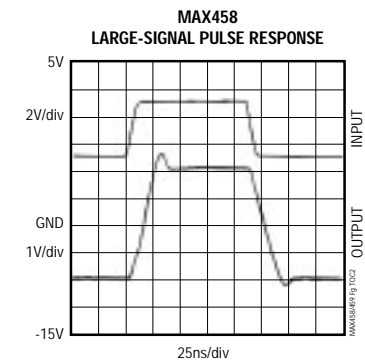
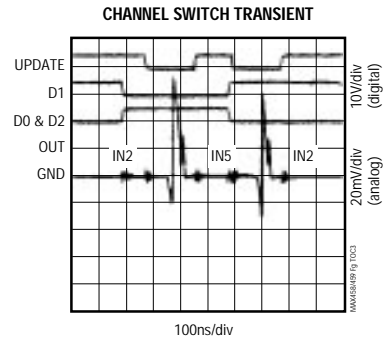
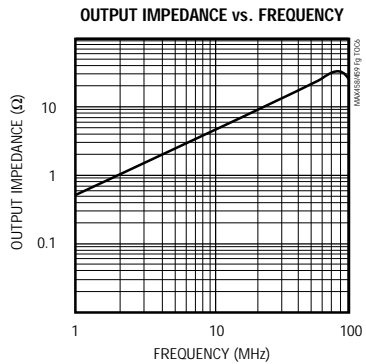
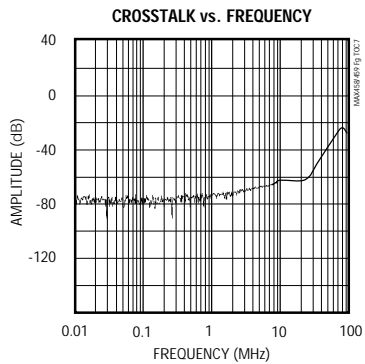
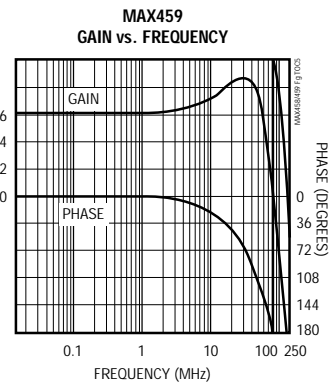
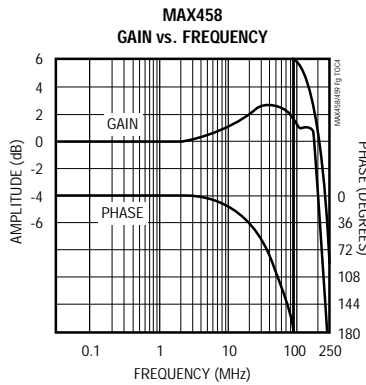
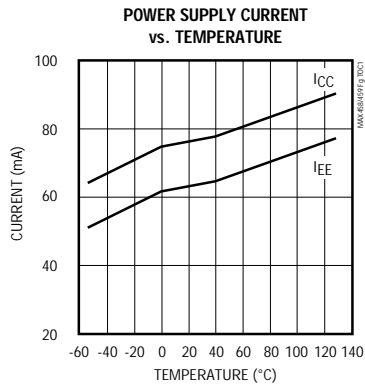
**Note 12:** Timing Characteristics are guaranteed by design.

# 8x4 Video Crosspoint Switches with Buffers

## Typical Operating Characteristics

(T<sub>A</sub> = +25°C, unless otherwise noted.)

MAX458/MAX459



## 8x4 Video Crosspoint Switches with Buffers

### Pin Description

PIN		NAME	FUNCTION
DIP	PLCC		
1	1	DIN	Serial Data Input
2, 4, 6, 8, 14, 16, 18, 27, 33, 35	3, 5, 8, 10, 16, 18, 20, 30, 37, 39	GND	Ground
3	4	IN0	Analog Input Channel 0
5	7	IN1	Analog Input Channel 1
7	9	IN2	Analog Input Channel 2
9	11	IN3	Analog Input Channel 3
10, 31	12, 35	V <sub>CC</sub>	Positive Power Supply (+5V). Connect both V <sub>CC</sub> pins to the positive supply.
11	13	IN4	Analog Input Channel 4
12, 29	14, 33	V <sub>EE</sub>	Negative Power Supply (-5V). Connect both V <sub>EE</sub> pins to the negative supply.
13	15	IN5	Analog Input Channel 5
15	17	IN6	Analog Input Channel 6
17	19	IN7	Analog Input Channel 7
19	21	SHDN	Shutdown, active high. Connect to GND if not used.
20	22	DOU <sub>T</sub>	Serial Data Output used for daisy-chaining devices.
21	23	D3	Parallel Digital Channel Input Address Bit 3
22	25	D2	Parallel Digital Channel Input Address Bit 2
23	26	D1	Parallel Digital Channel Input Address Bit 1
24	27	D0	Parallel Digital Channel Input Address Bit 0
25	28	A1	Parallel Digital Amplifier Output Address Bit 1
26	29	A0	Parallel Digital Amplifier Output Address Bit 0
28	31	OUT3	Amplifier 3 Analog Output
30	34	OUT2	Amplifier 2 Analog Output
32	36	OUT1	Amplifier 1 Analog Output
34	38	OUT0	Amplifier 0 Analog Output
36	40	$\overline{CE}$	Chip Enable, used in parallel mode. Keep high for serial operation.
37	41	$\overline{WR}$	Write Low, latches input registers in parallel mode. Hold high for serial operation.
38	42	$\overline{UPDATE}$	Update Low, latches amplifier registers in parallel mode. Hold high for serial operation.
39	43	SCLK	Serial Clock
40	44	$\overline{CS}$	Chip Select, used in serial operation. Hold high for parallel mode of operation.
—	2, 6, 24, 32	N.C.	Not Internally Connected

**Note:** All GND pins must be grounded for optimum crosstalk performance.

# 8x4 Video Crosspoint Switches with Buffers

MAX458/MAX459

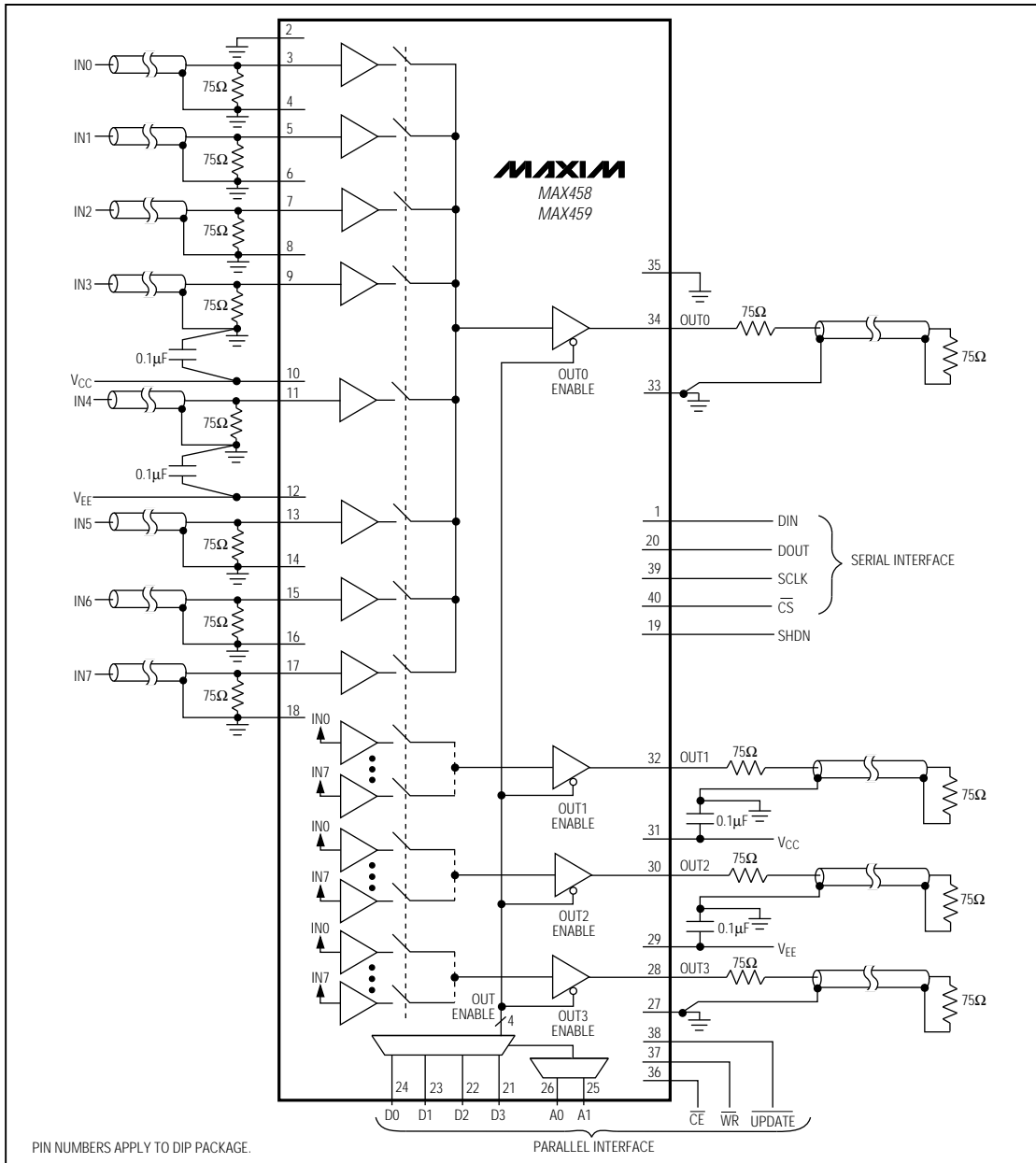


Figure 1. Block Diagram and Typical Operating Circuit





# 8x4 Video Crosspoint Switches with Buffers

## Detailed Description

### Analog Section

The MAX458/MAX459 video crosspoint switches consist of a high-speed 32 (8x4) switch array with wide-bandwidth line drivers (Figure 1). This design allows make-before-break switching to reduce output noise and glitches, but the inputs will not short together. It also provides high input impedance and low input capacitance, so no input buffer amplifier is needed. However, because different transistors provide gain depending on the input selection, the DC offset voltage shifts slightly when a new input is switched in. The change in offset voltage is typically 3mV.

All output buffers will drive back-terminated 50Ω, 75Ω, or higher impedance lines with up to 100pF capacitance. The amplifier outputs can be disabled, which is useful for creating large arrays. When disabled, the MAX458 presents an output impedance of approximately 1MΩ. The MAX459 disabled output impedance is 1kΩ (to ground), due to the internal feedback resistors used to achieve the gain of two.

During power-on, if  $\overline{CS}$  and  $\overline{UPDATE}$  are held high, all output amplifiers are disabled. In a large array, this feature prevents two ON paralleled amplifiers from distorting each other's signals. The amplifiers can be programmed to come up in any state simultaneously at any time after power-on. See the *Creating Large Arrays* section.

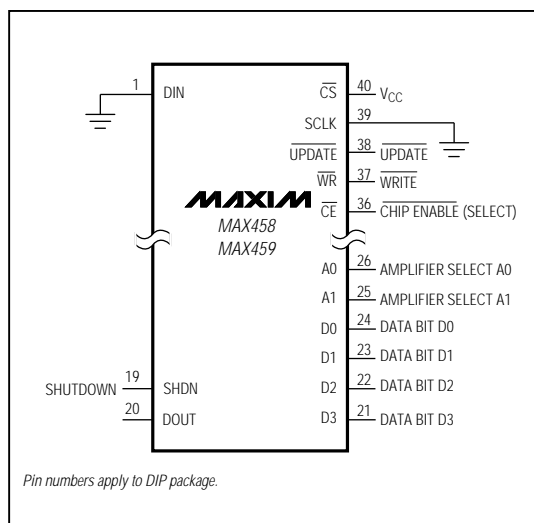


Figure 3. Parallel Connection (only logic pins shown)

### Digital Section—Parallel Mode

The MAX458/MAX459 have two register banks—an input register and a switch register (Figure 2). Each of these registers is either latched (when the control input is high) or transparent (when the control input is low). The input register is controlled by  $\overline{WR}$  and  $\overline{CE}$  and is selected by the decode of A0 and A1. If both  $\overline{WR}$  and  $\overline{CE}$  are low, the input register selected by A0 and A1 is transparent, and the state of D0–D3 is presented to the switch register. The other three input registers remain latched. If D0–D3 change before  $\overline{UPDATE}$  is asserted (goes low), the new data (the changed D0–D3) will then be latched in the switch register. If  $\overline{WR}$  or  $\overline{CE}$  is high, all input registers are latched and their data is presented

Table 1. Amplifier Selection

A1	A0	Output Amplifier Selected
L	L	0
L	H	1
H	L	2
H	H	3

Table 2. Input Selection

D3	D2	D1	D0	Input Channel Selected
L	L	L	L	0
L	L	L	H	1
L	L	H	L	2
L	L	H	H	3
L	H	L	L	4
L	H	L	H	5
L	H	H	L	6
L	H	H	H	7
H	X	X	X	Disable output amplifier selected by A0, A1.

Table 3. Writing Data

CE	WR	UPDATE	FUNCTION
H	X	H	Device not selected or is operating in serial mode. Both registers are latched.
X	H	H	Device not selected or is operating in serial mode. Both registers are latched.
H	X	L	Data in input registers passes through switch registers. Output reflects data in input registers.
X	H	L	Data in input registers passes through switch registers. Output reflects data in input registers.
L	L	H	Input register of selected amplifier is transparent. Switch registers are latched. Other input registers are latched.
L	L	L	All switch registers and selected input register are transparent. Selected amplifier (chosen by state of A0, A1) reflects input data. Other amplifiers reflect data that had been latched into the input registers previously.

## 8x4 Video Crosspoint Switches with Buffers

to their switch registers. As long as either  $\overline{WR}$  or  $\overline{CE}$  is high, the input register will not change. The switch register will pass any new data on the falling transition of  $\overline{UPDATE}$ .

Each register of the switch-register bank controls the inputs to one amplifier. With  $\overline{UPDATE}$  low, the switch registers are transparent and switch connection is controlled by the input register. However, if  $\overline{UPDATE}$  is high, the switch register is latched and any change in data by the input register will not affect the amplifier output state. Two register banks are used so that data can be loaded into input registers without affecting the switch/amplifier selection. This allows amplifiers to be programmed and then changed simultaneously. When the registers are not latched, they are made transparent.

Use data bit D3 to disable the amplifier selected by A0–A1 and place its output in high-impedance mode. As an example, the code to disable OUT0 is as follows:

```
Pin Name: D3 D2 D1 D0 A1 A0
Input Code: 1 X X X 0 0
```

When operating in parallel mode,  $\overline{CS}$  must be wired high and  $\overline{SCLK}$  and  $\overline{DIN}$  should be grounded, as shown in Figure 3. Refer to Figure 4 for the correct timing relationships.

### Digital Section—Serial Mode

The MAX458/MAX459 use a three-wire serial interface that is compatible with SPI, QPSI and Microwire interfaces. Serial mode, shown in Figure 5, is enabled when  $\overline{WR}$ ,  $\overline{UPDATE}$ , and  $\overline{CE}$  are held high and  $\overline{CS}$  goes low. Figures 6 and 7 show serial-mode timing. Figure 8 shows the MAX458/MAX459 configured for serial operation. Figure 9 shows the Microwire connection, and Figure 10 shows the SPI/QSPI connection.

The serial output, DOUT, allows cascading of two or more crosspoint switches to create larger arrays. The data at DOUT is delayed by 16 cycles plus one clock pulse width at DIN. DOUT changes on  $\overline{SCLK}$ 's falling edge when  $\overline{CS}$  is low. When  $\overline{CS}$  is high, DOUT remains in the state of the last data bit.

The MAX458/MAX459 input data in 16-bit blocks. SPI and Microwire interfaces output data in 8-bit blocks, thereby requiring two write cycles to input data. The QSPI interface allows variable word lengths from 8 to 16 bits and can be loaded into the crosspoint in one write cycle. SPI and Microwire limit clock rates to 2MHz, while the QSPI maximum clock rate is 4MHz.

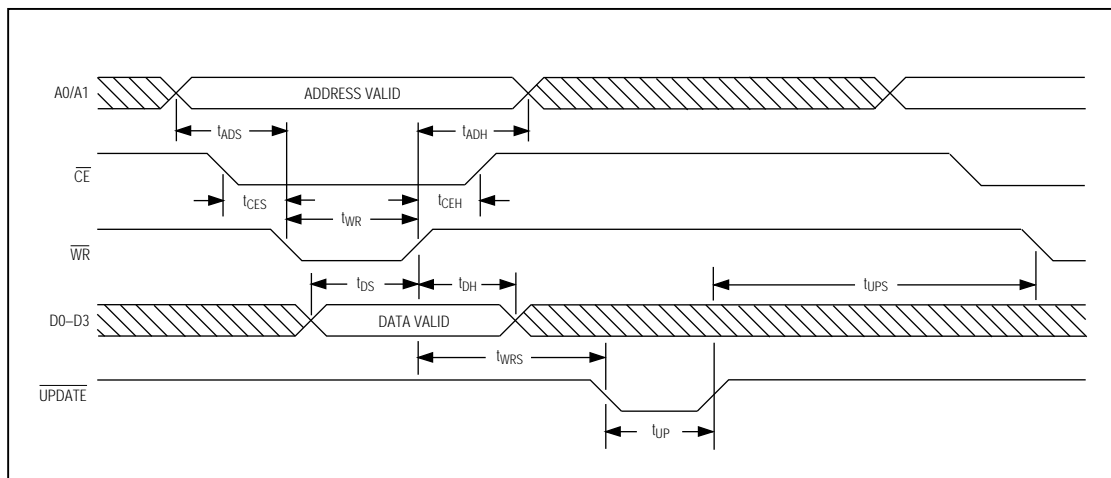


Figure 4. Parallel-Mode Timing

## 8x4 Video Crosspoint Switches with Buffers

MAX458/MAX459

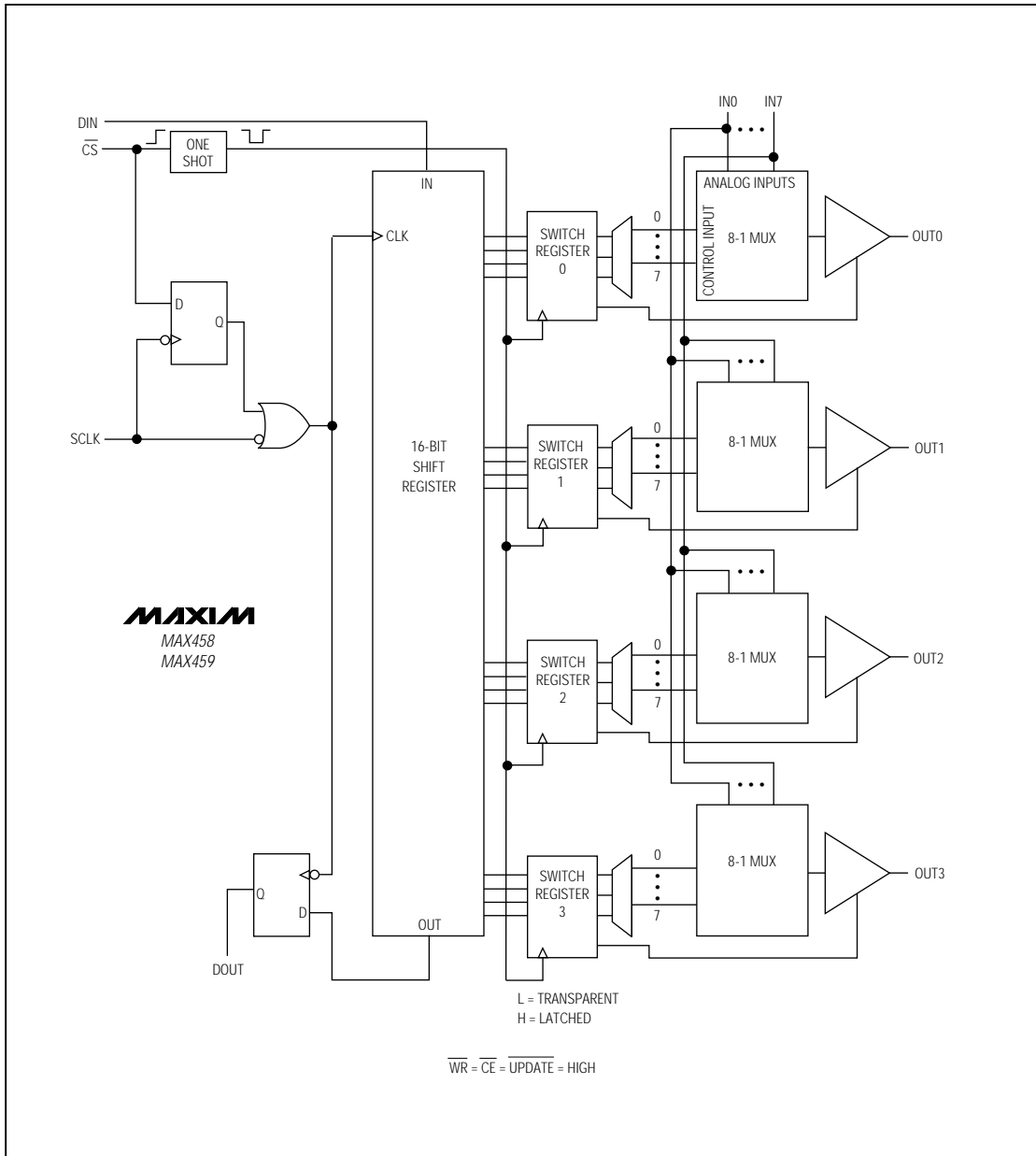


Figure 5. Serial-Mode Logic Block Diagram

## 8x4 Video Crosspoint Switches with Buffers

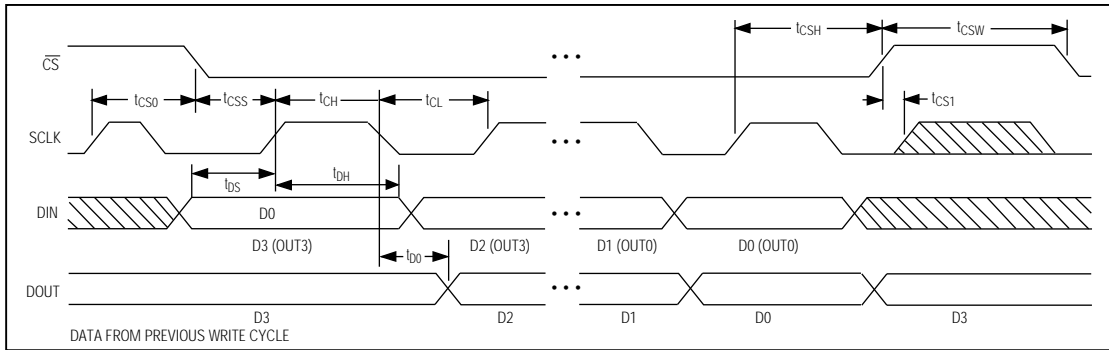


Figure 6. Serial-Mode Timing

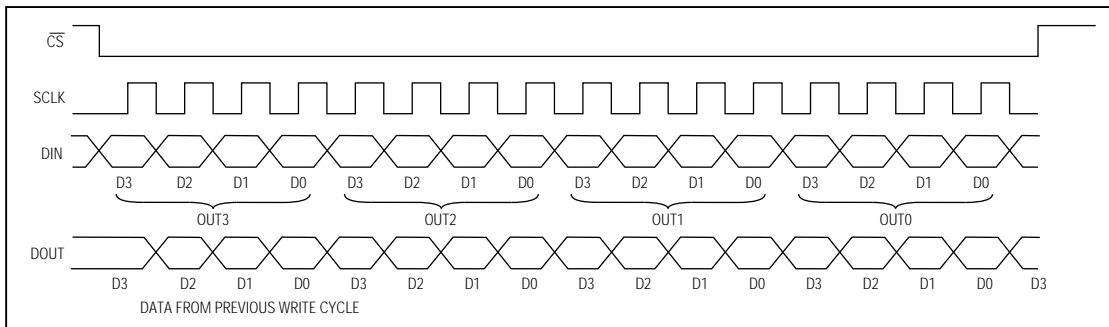


Figure 7. Serial-Mode Data Sequence

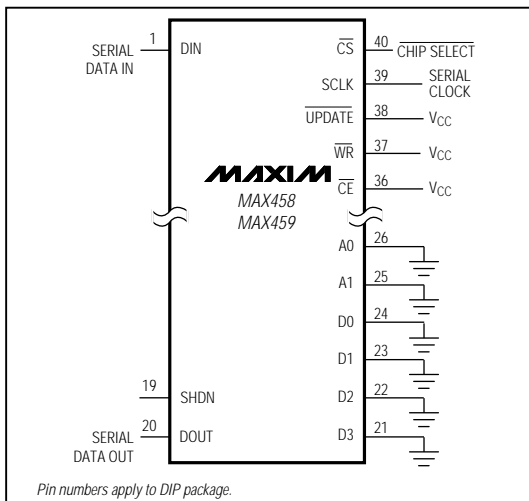


Figure 8. Serial Connection (only logic pins shown)

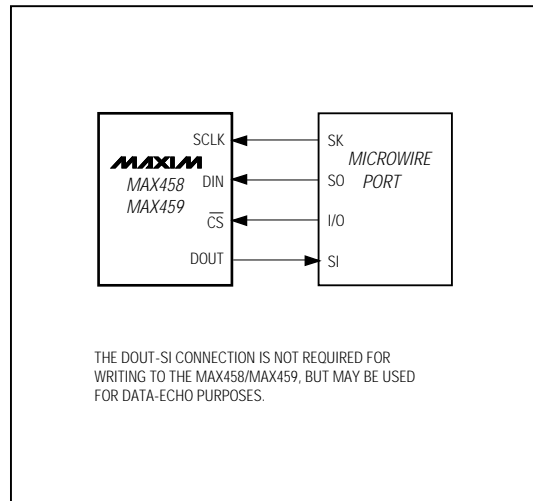


Figure 9. Microwire Connection

## 8x4 Video Crosspoint Switches with Buffers

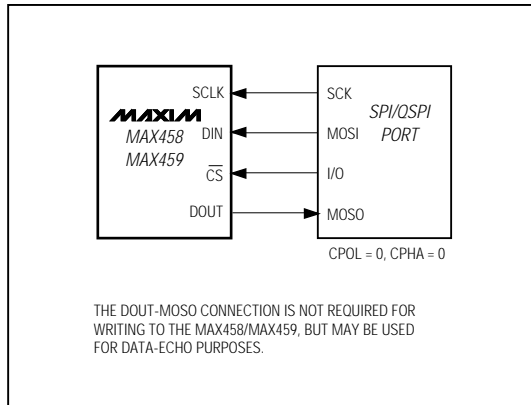


Figure 10. SPI/QSPI Connection

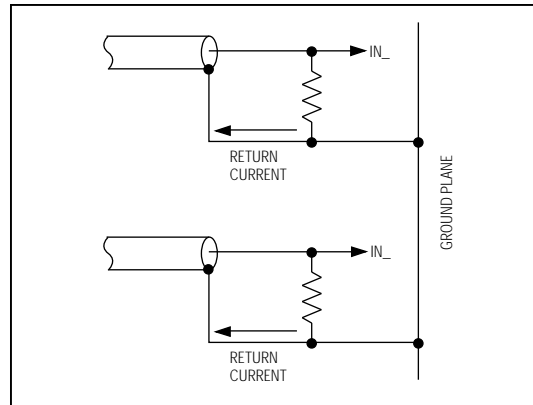


Figure 11. Low-Crosstalk Layout. Return current from termination resistor does not flow through the ground plane.

MAX458/MAX459

### Applications Information

#### Grounding and Bypassing, PC Board Layout

As with all analog circuits, good PC board layout, proper grounding, and careful component selection are crucial for realizing the full AC performance of high-speed amplifiers such as the MAX458/MAX459. For optimal performance:

- 1) Use a large, low-impedance analog ground plane. With multilayer boards, the ground plane(s) should be located on the layer that does not contain signal traces. Connect all GND pins to the analog ground plane.
- 2) Minimize trace area at the circuit's critical high-impedance nodes to prevent unwanted signal coupling. Surround analog inputs with an AC ground trace (bypassed DC power supply, etc.). The analog input pins of the MAX458/MAX459 have been separated with AC ground pins (GND, VCC, VEE) to minimize parasitic coupling, which can degrade crosstalk.
- 3) Connect the coaxial-cable shield to the ground side of the 75Ω terminating resistor at the ground plane to further reduce crosstalk (Figure 11).
- 4) Bypass all power-supply pins directly to the ground plane with 0.1μF ceramic capacitors placed as close to the supply pins as possible. For high-current loads, you may need 10μF tantalum or aluminum-electrolytic capacitors in parallel with the 0.1μF ceramics. Keep capacitor lead lengths as short as possible to minimize series inductance; surface-mount chip capacitors are ideal.

#### Creating Larger Arrays

The MAX458/MAX459 assume a high-impedance state on power-up if the inputs are not being programmed to any particular state during that time. They also are in a high-impedance state when disabled. This feature makes it possible to create larger arrays than 8x4 without special programming, other than ensuring that your program doesn't turn on two paralleled outputs simultaneously. Testing has shown no degradation of differential gain or phase when the outputs are connected in parallel.

The MAX458/MAX459's input registers remain active during shutdown, which allows the crosspoint to be programmed while the devices are shut down. As a result, all outputs may be simultaneously brought to any state, including disabled. Just program all of the MAX458/MAX459s into shutdown, and enter the program of your choice by selecting the desired inputs and outputs. Taking SHDN low takes the device(s) out of shutdown.

A power-on reset circuit causes the output amplifiers to power up in the disabled mode, whether or not SHDN is applied, if  $\overline{\text{UPDATE}}$  and  $\overline{\text{CS}}$  are high.

The number of MAX458s that can be paralleled is limited by capacitive loading on each output, which must not exceed 100pF. Each input presents approximately 7pF of load, and each output presents approximately 12pF. Therefore, the MAX458/MAX459 will drive a maximum of 14 inputs, or 7 outputs and 2 inputs, or any other combination resulting in less than a 100pF load. Adding isolation resistors enables more MAX458s to be paralleled (see the *Driving Capacitive Loads* section).

## 8x4 Video Crosspoint Switches with Buffers

### Driving Capacitive Loads

When driving loads greater than 100pF, you may need a capacitance compensating resistor in series with the output of each affected amplifier. The required resistor will depend on load as well as capacitance. For 150 $\Omega$  or higher load resistances and capacitance up to 1000pF, use a 2.4 $\Omega$  resistor. For 100 $\Omega$  loads, use a 4.7 $\Omega$  resistor.

If an output amplifier is loaded with a pure capacitance or with the inputs of other MAX458/MAX459s, the resistors will cause no degradation of gain or other performance because of the high impedance of the crosspoints. However, resistive loads may cause a reduction in gain.

### Daisy-Chaining Devices

The serial output, DOUT, allows cascading of two or more crosspoint switches to create larger arrays. The data at DOUT is the DIN data delayed by 16 cycles plus one clock width. DOUT changes on SCLK's falling edge when  $\overline{CS}$  is low. When  $\overline{CS}$  is high, DOUT remains in the state of the last data bit.

Any number of MAX458/MAX459 crosspoint switches can be daisy-chained by connecting the DOUT of one device to the DIN of the next device in the chain, as shown in Figure 12. For proper timing, ensure that both  $t_{CSS}$  ( $\overline{CS}$  low to SCLK high) and  $t_{CL}$  are greater than  $t_{DO} + t_{DS}$ .

DOUT is a TTL-compatible output with an active pull-up. It does not become high impedance when  $\overline{CS}$  is high.

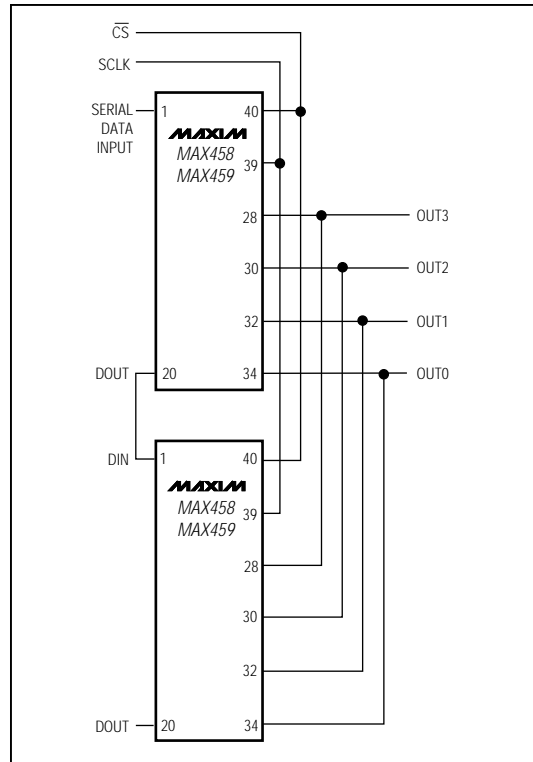
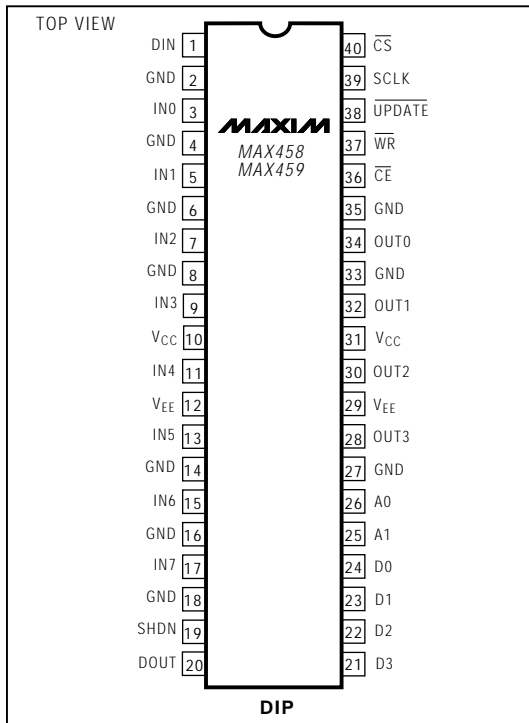


Figure 12. 16x4 Crosspoint Switch Using Serial "Daisy Chain" Connection

## 8x4 Video Crosspoint Switches with Buffers

Pin Configurations (continued)

MAX458/MAX459



# 8x4 Video Crosspoint Switches with Buffers

## Package Information

