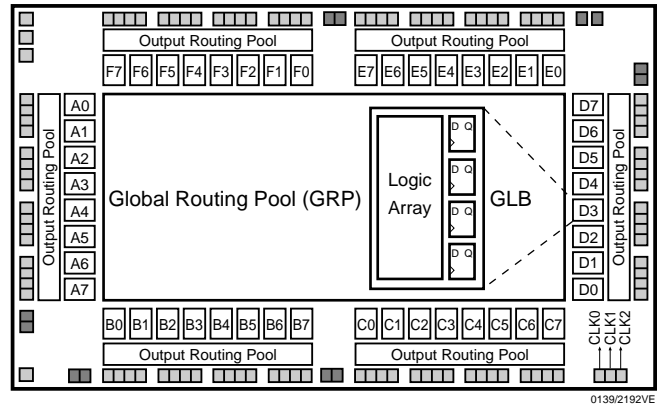




Features

- **SuperFAST HIGH DENSITY IN-SYSTEM PROGRAMMABLE LOGIC**
 - 8000 PLD Gates
 - 96 I/O Pins, Nine or Twelve Dedicated Inputs
 - 192 Registers
 - High Speed Global Interconnect
 - Wide Input Gating for Fast Counters, State Machines, Address Decoders, etc.
 - Small Logic Block Size for Random Logic
 - Pinout Compatible with ispLSI 2096V and 2096VE
- **3.3V LOW VOLTAGE ARCHITECTURE**
 - Interfaces with Standard 5V TTL Devices
- **HIGH PERFORMANCE E²CMOS[®] TECHNOLOGY**
 - $f_{max} = 225\text{MHz}$ Maximum Operating Frequency
 - $t_{pd} = 4.0\text{ns}$ Propagation Delay
 - Electrically Erasable and Reprogrammable
 - Non-Volatile
 - 100% Tested at Time of Manufacture
 - Unused Product Term Shutdown Saves Power
- **IN-SYSTEM PROGRAMMABLE**
 - 3.3V In-System Programmability (ISP™) Using Boundary Scan Test Access Port (TAP)
 - Open-Drain Output Option for Flexible Bus Interface Capability, Allowing Easy Implementation of Wired-OR Bus Arbitration Logic
 - Increased Manufacturing Yields, Reduced Time-to-Market and Improved Product Quality
 - Reprogram Soldered Devices for Faster Prototyping
- **100% IEEE 1149.1 BOUNDARY SCAN TESTABLE**
- **THE EASE OF USE AND FAST SYSTEM SPEED OF PLDs WITH THE DENSITY AND FLEXIBILITY OF FPGAS**
 - Enhanced Pin Locking Capability
 - Three Dedicated Clock Input Pins
 - Synchronous and Asynchronous Clocks
 - Programmable Output Slew Rate Control
 - Flexible Pin Placement
 - Optimized Global Routing Pool Provides Global Interconnectivity
- **LEAD-FREE PACKAGE OPTIONS**

Functional Block Diagram



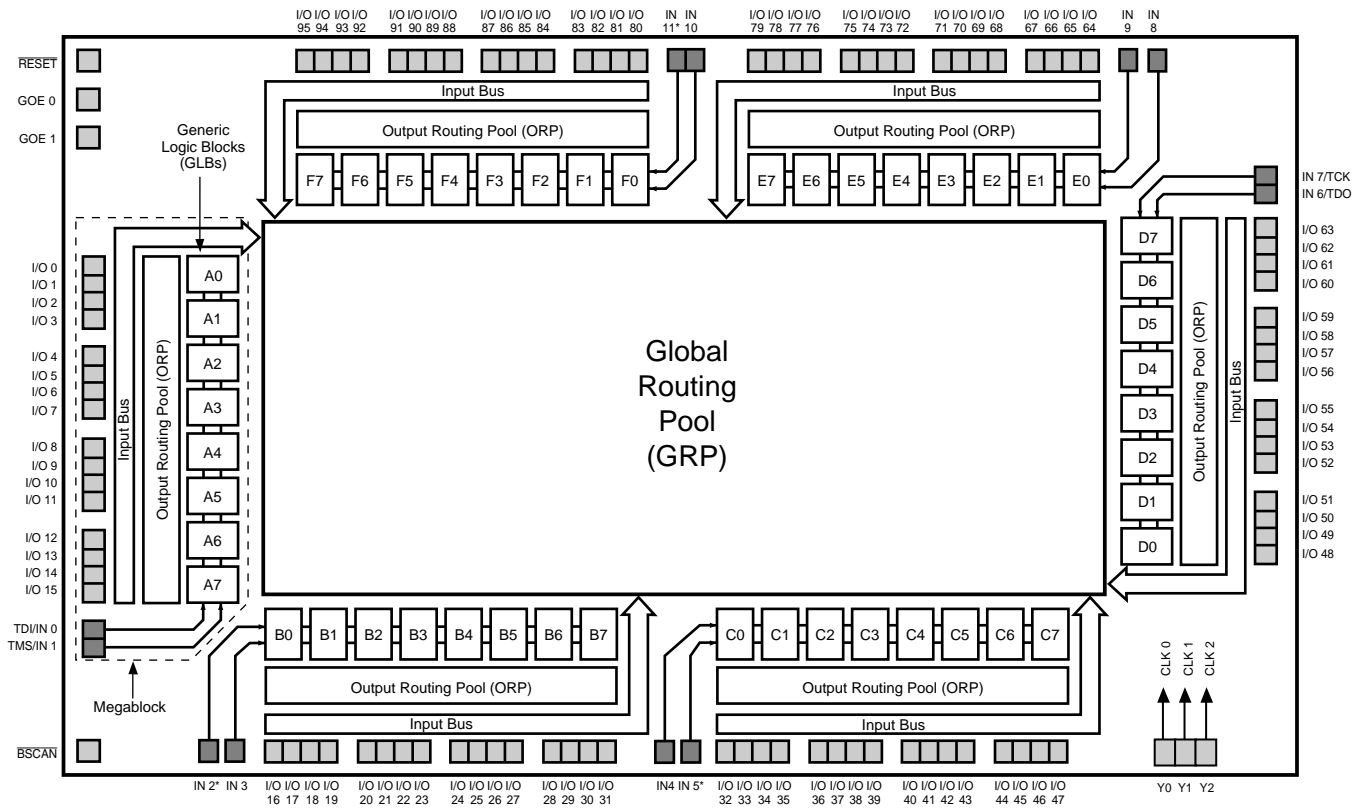
Description

The ispLSI 2192VE is a High Density Programmable Logic Device containing 192 Registers, nine or twelve Dedicated Input pins, three Dedicated Clock Input pins, two dedicated Global OE input pins and a Global Routing Pool (GRP). The GRP provides complete interconnectivity between all of these elements. The ispLSI 2192VE features in-system programmability through the Boundary Scan Test Access Port (TAP) and is 100% IEEE 1149.1 Boundary Scan Testable. The ispLSI 2192VE offers non-volatile reprogrammability of the logic, as well as the interconnect to provide truly reconfigurable systems.

The basic unit of logic on the ispLSI 2192VE device is the Generic Logic Block (GLB). The GLBs are labeled A0, A1 .. F7 (see Figure 1). There are a total of 48 GLBs in the ispLSI 2192VE device. Each GLB is made up of four macrocells. Each GLB has 18 inputs, a programmable AND/OR/Exclusive OR array, and four outputs which can be configured to be either combinatorial or registered. Inputs to the GLB come from the GRP and dedicated inputs. All of the GLB outputs are brought back into the GRP so that they can be connected to the inputs of any GLB on the device.

Functional Block Diagram

Figure 1. ispLSI 2192VE Functional Block Diagram



*Note: Dedicated Inputs 2, 5 and 11 are not available with 128-pin packages.

2192VE Block.eps

The 2192VE contains 96 I/O cells. Each I/O cell is directly connected to an I/O pin and can be individually programmed to be a combinatorial input, output or bi-directional I/O pin with 3-state control. The signal levels are TTL compatible voltages and the output drivers can source 4mA or sink 8mA. Each output can be programmed independently for fast or slow output slew rate to minimize overall output switching noise. Device pins can be safely driven to 5V signal levels to support mixed-voltage systems.

Eight GLBs, 16 I/O cells, two dedicated inputs and an ORP are connected together to make a Megablock (see Figure 1). The outputs of the eight GLBs are connected to a set of 16 universal I/O cells by the ORP. Each ispLSI 2192VE device contains six Megablocks.

The GRP has as its inputs, the outputs from all of the GLBs and all of the inputs from the bi-directional I/O cells. All of these signals are made available to the inputs of the GLBs. Delays through the GRP have been equalized to minimize timing skew.

Clocks in the ispLSI 2192VE device are selected using the dedicated clock pins. Three dedicated clock pins (Y0, Y1, Y2) or an asynchronous clock can be selected on a GLB basis. The asynchronous or Product Term clock can be generated in any GLB for its own clock.

Programmable Open-Drain Outputs

In addition to the standard output configuration, the outputs of the ispLSI 2192VE are individually programmable, either as a standard totem-pole output or an open-drain output. The totem-pole output drives the specified Voh and Vol levels, whereas the open-drain output drives only the specified Vol. The Voh level on the open-drain output depends on the external loading and pull-up. This output configuration is controlled by a programmable fuse. The default configuration when the device is in bulk erased state is totem-pole configuration. The open-drain/totem-pole option is selectable through the Lattice software tools.

Absolute Maximum Ratings ¹

Supply Voltage V_{CC} -0.5 to +5.4V
 Input Voltage Applied -0.5 to +5.6V
 Off-State Output Voltage Applied -0.5 to +5.6V
 Storage Temperature -65 to 150°C
 Case Temp. with Power Applied -55 to 125°C
 Max. Junction Temp. (T_J) with Power Applied ... 150°C

1. Stresses above those listed under the “Absolute Maximum Ratings” may cause permanent damage to the device. Functional operation of the device at these or at any other conditions above those indicated in the operational sections of this specification is not implied (while programming, follow the programming specifications).

DC Recommended Operating Condition

SYMBOL	PARAMETER		MIN.	MAX.	UNITS
V_{CC}	Supply Voltage	Commercial $T_A = 0^\circ\text{C}$ to $+70^\circ\text{C}$	3.0	3.6	V
V_{IL}	Input Low Voltage		$V_{SS} - 0.5$	0.8	V
V_{IH}	Input High Voltage		2.0	5.25	V

Table 2-0005/2192VE

Capacitance ($T_A=25^\circ\text{C}$, $f=1.0\text{ MHz}$)

SYMBOL	PARAMETER	TYPICAL	UNITS	TEST CONDITIONS
C_1	Dedicated Input Capacitance	8	pf	$V_{CC} = 3.3\text{V}$, $V_{IN} = 0.0\text{V}$
C_2	I/O Capacitance	8	pf	$V_{CC} = 3.3\text{V}$, $V_{IO} = 0.0\text{V}$
C_3	Clock and Global Output Enable Capacitance	12	pf	$V_{CC} = 3.3\text{V}$, $V_Y = 0.0\text{V}$

Table 2-0006/2192VE

Erase Reprogram Specifications

PARAMETER	MINIMUM	MAXIMUM	UNITS
Erase/Reprogram Cycles	10,000	—	Cycles

Table 2-0008/2192VE

Switching Test Conditions

Input Pulse Levels	GND to 3.0V
Input Rise and Fall Time	≤ 1.5ns 10% to 90%
Input Timing Reference Levels	1.5V
Output Timing Reference Levels	1.5V
Output Load	See Figure 2

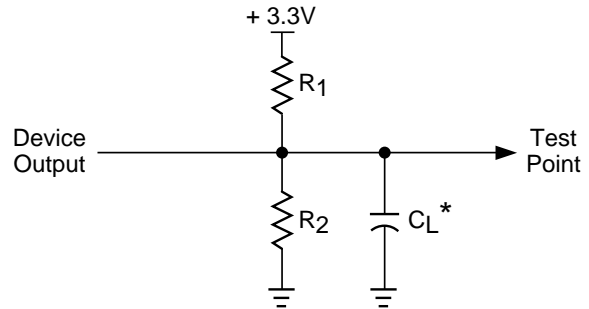
3-state levels are measured 0.5V from steady-state active level.
Table 2-0003/2192VE

Output Load Conditions (see Figure 2)

TEST CONDITION		R1	R2	CL
A		316Ω	348Ω	35pF
B	Active High	∞	348Ω	35pF
	Active Low	316Ω	348Ω	35pF
C	Active High to Z at $V_{OH}-0.5V$	∞	348Ω	5pF
	Active Low to Z at $V_{OL}+0.5V$	316Ω	348Ω	5pF

Table 2-0004/2192VE

Figure 2. Test Load



*CL includes Test Fixture and Probe Capacitance.

0213A/2192VE

DC Electrical Characteristics

Over Recommended Operating Conditions

SYMBOL	PARAMETER	CONDITION	MIN.	TYP. ³	MAX.	UNITS
V_{OL}	Output Low Voltage	$I_{OL} = 8 \text{ mA}$	–	–	0.4	V
V_{OH}	Output High Voltage	$I_{OH} = -4 \text{ mA}$	2.4	–	–	V
I_{IL}	Input or I/O Low Leakage Current	$0V \leq V_{IN} \leq V_{IL} (\text{Max.})$	–	–	-10	μA
I_{IH}	Input or I/O High Leakage Current	$(V_{CC} - 0.2)V \leq V_{IN} \leq V_{CC}$	–	–	10	μA
		$V_{CC} \leq V_{IN} \leq 5.25V$	–	–	10	μA
I_{IL-isp}	BSCAN Input Low Leakage Current	$0V \leq V_{IN} \leq V_{IL}$	–	–	-150	μA
I_{IL-PU}	I/O Active Pull-Up Current	$0V \leq V_{IN} \leq V_{IL}$	–	–	-150	μA
I_{OS}¹	Output Short Circuit Current	$V_{CC} = 3.3V, V_{OUT} = 0.5V$	–	–	-100	mA
I_{CC}^{2,4}	Operating Power Supply Current	$V_{IL} = 0.0V, V_{IH} = 3.0V$ $f_{CLOCK} = 1 \text{ MHz}$	–	275	–	mA

Table 2-0007/2192VE

- One output at a time for a maximum duration of one second. $V_{OUT} = 0.5V$ was selected to avoid test problems by tester ground degradation. Characterized but not 100% tested.
- Measured using twelve 16-bit counters.
- Typical values are at $V_{CC} = 3.3V$ and $T_A = 25^\circ C$.
- Maximum I_{CC} varies widely with specific device configuration and operating frequency. Refer to the Power Consumption section of this data sheet and Thermal Management section of the Lattice Semiconductor Data Book or CD-ROM to estimate maximum I_{CC} .

External Timing Parameters

Over Recommended Operating Conditions

PARAMETER	TEST COND. ³	#	DESCRIPTION ¹	-225		-180		UNITS
				MIN.	MAX.	MIN.	MAX.	
t_{pd1}	A	1	Data Propagation Delay, 4PT Bypass, ORP Bypass	–	4.0	–	5.0	ns
t_{pd2}	A	2	Data Propagation Delay	–	6.2	–	7.5	ns
f_{max}	A	3	Clock Frequency with Internal Feedback ²	225	–	180	–	MHz
f_{max} (Ext.)	–	4	Clock Frequency with External Feedback ($\frac{1}{t_{su2} + t_{co1}}$)	150	–	125	–	MHz
f_{max} (Tog.)	–	5	Clock Frequency, Max. Toggle	250	–	200	–	MHz
t_{su1}	–	6	GLB Reg. Setup Time before Clock, 4 PT Bypass	2.5	–	3.5	–	ns
t_{co1}	A	7	GLB Reg. Clock to Output Delay, ORP Bypass	–	3.2	–	3.5	ns
t_{h1}	–	8	GLB Reg. Hold Time after Clock, 4 PT Bypass	0.0	–	0.0	–	ns
t_{su2}	–	9	GLB Reg. Setup Time before Clock	3.5	–	4.5	–	ns
t_{co2}	A	10	GLB Reg. Clock to Output Delay	–	3.7	–	4.5	ns
t_{h2}	–	11	GLB Reg. Hold Time after Clock	0.0	–	0.0	–	ns
t_{r1}	A	12	Ext. Reset Pin to Output Delay, ORP Bypass	–	6.0	–	7.0	ns
t_{rw1}	–	13	Ext. Reset Pulse Duration	3.5	–	4.0	–	ns
t_{ptoen}	B	14	Input to Output Enable	–	6.0	–	10.0	ns
t_{ptoedis}	C	15	Input to Output Disable	–	6.0	–	10.0	ns
t_{goeen}	B	16	Global OE Output Enable	–	4.5	–	5.0	ns
t_{goedis}	C	17	Global OE Output Disable	–	4.5	–	5.0	ns
t_{wh}	–	18	External Synchronous Clock Pulse Duration, High	2.0	–	2.5	–	ns
t_{wl}	–	19	External Synchronous Clock Pulse Duration, Low	2.0	–	2.5	–	ns

Table 2-0030A/2192VE

1. Unless noted otherwise, all parameters use a GRP load of four, 20 PTXOR path, ORP and Y0 clock.
2. Standard 16-bit counter using GRP feedback.
3. Reference Switching Test Conditions section.

External Timing Parameters

Over Recommended Operating Conditions

PARAMETER	TEST COND. ³	#	DESCRIPTION ¹	-135		-100		UNITS
				MIN.	MAX.	MIN.	MAX.	
t _{pd1}	A	1	Data Propagation Delay, 4PT Bypass, ORP Bypass	–	7.5	–	10.0	ns
t _{pd2}	A	2	Data Propagation Delay	–	10.0	–	13.0	ns
f _{max}	A	3	Clock Frequency with Internal Feedback ²	135	–	100	–	MHz
f _{max (Ext.)}	–	4	Clock Frequency with External Feedback ($\frac{1}{t_{su2} + t_{co1}}$)	100	–	77	–	MHz
f _{max (Tog.)}	–	5	Clock Frequency, Max. Toggle	143	–	100	–	MHz
t _{su1}	–	6	GLB Reg. Setup Time before Clock, 4 PT Bypass	5.0	–	6.5	–	ns
t _{co1}	A	7	GLB Reg. Clock to Output Delay, ORP Bypass	–	4.0	–	5.0	ns
t _{h1}	–	8	GLB Reg. Hold Time after Clock, 4 PT Bypass	0.0	–	0.0	–	ns
t _{su2}	–	9	GLB Reg. Setup Time before Clock	6.0	–	8.0	–	ns
t _{co2}	A	10	GLB Reg. Clock to Output Delay	–	5.0	–	6.0	ns
t _{h2}	–	11	GLB Reg. Hold Time after Clock	0.0	–	0.0	–	ns
t _{r1}	A	12	Ext. Reset Pin to Output Delay, ORP Bypass	–	9.0	–	12.5	ns
t _{rw1}	–	13	Ext. Reset Pulse Duration	5.0	–	6.5	–	ns
t _{ptoeen}	B	14	Input to Output Enable	–	12.0	–	15.0	ns
t _{ptoedis}	C	15	Input to Output Disable	–	12.0	–	15.0	ns
t _{goeen}	B	16	Global OE Output Enable	–	7.0	–	9.0	ns
t _{goedis}	C	17	Global OE Output Disable	–	7.0	–	9.0	ns
t _{wh}	–	18	External Synchronous Clock Pulse Duration, High	3.5	–	5.0	–	ns
t _{wl}	–	19	External Synchronous Clock Pulse Duration, Low	3.5	–	5.0	–	ns

Table 2-0030B/2192VE

1. Unless noted otherwise, all parameters use a GRP load of four, 20 PTXOR path, ORP and Y0 clock.
2. Standard 16-bit counter using GRP feedback.
3. Reference Switching Test Conditions section.

Internal Timing Parameters¹

Over Recommended Operating Conditions

PARAMETER	# ²	DESCRIPTION	-225		-180		UNITS
			MIN.	MAX.	MIN.	MAX.	
Inputs							
t_{io}	20	Input Buffer Delay	–	0.3	–	0.5	ns
t_{din}	21	Dedicated Input Delay	–	0.5	–	1.1	ns
GRP							
t_{grp}	22	GRP Delay	–	0.2	–	0.6	ns
GLB							
t_{4ptbpc}	23	4 Product Term Bypass Path Delay (Combinatorial)	–	1.5	–	1.9	ns
t_{4ptbpr}	24	4 Product Term Bypass Path Delay (Registered)	–	2.2	–	2.4	ns
t_{1ptxor}	25	1 Product Term/XOR Path Delay	–	3.2	–	3.4	ns
t_{20ptxor}	26	20 Product Term/XOR Path Delay	–	3.2	–	3.4	ns
t_{xoradj}	27	XOR Adjacent Path Delay ³	–	3.2	–	3.4	ns
t_{gbp}	28	GLB Register Bypass Delay	–	0.0	–	0.0	ns
t_{gsu}	29	GLB Register Setup Time before Clock	0.7	–	1.2	–	ns
t_{gh}	30	GLB Register Hold Time after Clock	1.8	–	2.3	–	ns
t_{gco}	31	GLB Register Clock to Output Delay	–	0.3	–	0.3	ns
t_{gro}	32	GLB Register Reset to Output Delay	–	0.3	–	0.6	ns
t_{ptre}	33	GLB Product Term Reset to Register Delay	–	4.0	–	4.3	ns
t_{ptoe}	34	GLB Product Term Output Enable to I/O Cell Delay	–	2.9	–	5.9	ns
t_{ptck}	35	GLB Product Term Clock Delay	0.8	3.2	1.0	4.0	ns
ORP							
t_{orp}	36	ORP Delay	–	0.9	–	1.4	ns
t_{orpbp}	37	ORP Bypass Delay	–	0.4	–	0.4	ns
Outputs							
t_{ob}	38	Output Buffer Delay	–	1.6	–	1.6	ns
t_{sl}	39	Output Slew Limited Delay Adder	–	2.0	–	2.0	ns
t_{oen}	40	I/O Cell OE to Output Enabled	–	2.6	–	3.0	ns
t_{odis}	41	I/O Cell OE to Output Disabled	–	2.6	–	3.0	ns
t_{goe}	42	Global Output Enable	–	1.9	–	2.0	ns
Clocks							
t_{gy0}	43	Clock Delay, Y0 to Global GLB Clock Line (Ref. clock)	0.9	0.9	1.2	1.2	ns
t_{gy1/2}	44	Clock Delay, Y1 or Y2 to Global GLB Clock Line	1.1	1.1	1.4	1.4	ns
Global Reset							
t_{gr}	45	Global Reset to GLB	–	3.7	–	4.4	ns

1. Internal Timing Parameters are not tested and are for reference only.
2. Refer to Timing Model in this data sheet for further details.
3. The XOR adjacent path can only be used by hard macros.

Table 2-0036E/2192VE v0.1

Internal Timing Parameters¹

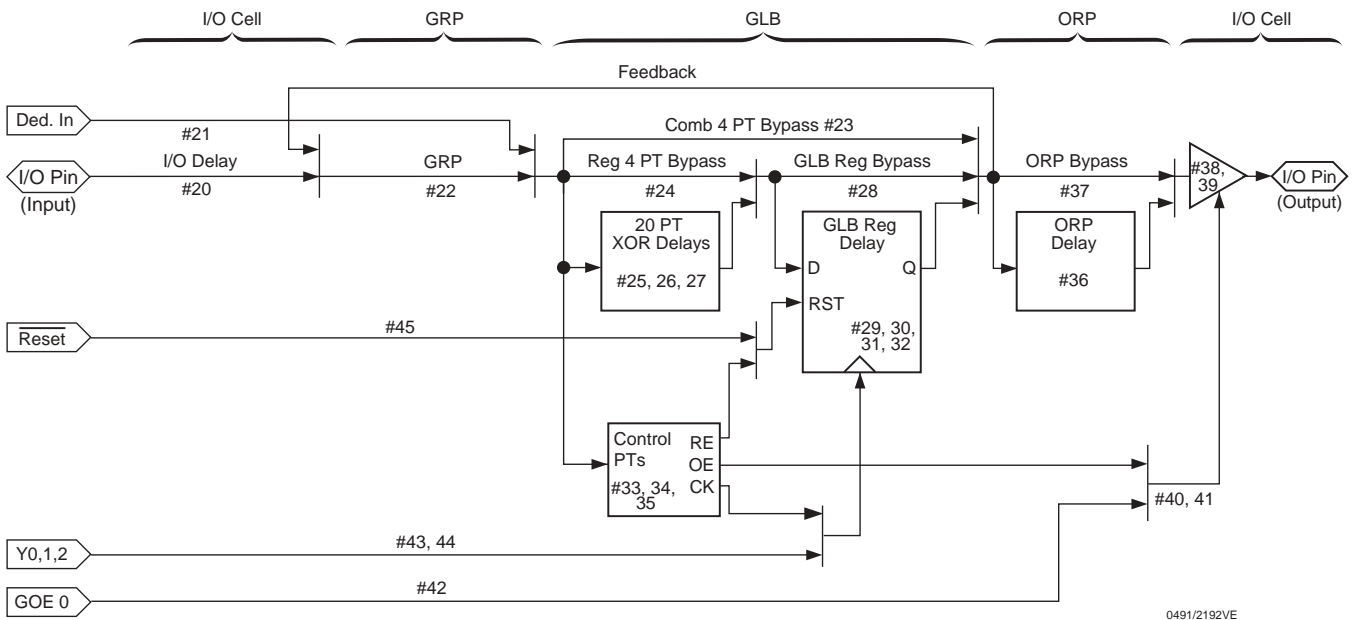
Over Recommended Operating Conditions

PARAMETER	# ²	DESCRIPTION	-135		-100		UNITS
			MIN.	MAX.	MIN.	MAX.	
Inputs							
t_{io}	20	Input Buffer Delay	–	0.5	–	0.7	ns
t_{din}	21	Dedicated Input Delay	–	1.7	–	2.5	ns
GRP							
t_{grp}	22	GRP Delay	–	1.2	–	1.8	ns
GLB							
t_{4ptbpc}	23	4 Product Term Bypass Path Delay (Combinatorial)	–	3.7	–	5.2	ns
t_{4ptbpr}	24	4 Product Term Bypass Path Delay (Registered)	–	3.7	–	4.7	ns
t_{1ptxor}	25	1 Product Term/XOR Path Delay	–	4.7	–	6.2	ns
t_{20ptxor}	26	20 Product Term/XOR Path Delay	–	4.7	–	6.2	ns
t_{xoradj}	27	XOR Adjacent Path Delay ³	–	4.7	–	6.2	ns
t_{gbp}	28	GLB Register Bypass Delay	–	0.5	–	1.0	ns
t_{gsu}	29	GLB Register Setup Time before Clock	1.2	–	1.7	–	ns
t_{gh}	30	GLB Register Hold Time after Clock	3.8	–	4.8	–	ns
t_{gco}	31	GLB Register Clock to Output Delay	–	0.3	–	0.3	ns
t_{gro}	32	GLB Register Reset to Output Delay	–	1.1	–	3.1	ns
t_{ptre}	33	GLB Product Term Reset to Register Delay	–	6.1	–	7.1	ns
t_{ptoe}	34	GLB Product Term Output Enable to I/O Cell Delay	–	6.9	–	9.1	ns
t_{ptck}	35	GLB Product Term Clock Delay	1.6	4.6	2.6	5.6	ns
ORP							
t_{orp}	36	ORP Delay	–	1.5	–	1.7	ns
t_{orpbp}	37	ORP Bypass Delay	–	0.5	–	0.7	ns
Outputs							
t_{ob}	38	Output Buffer Delay	–	1.6	–	1.6	ns
t_{sl}	39	Output Slew Limited Delay Adder	–	2.0	–	2.0	ns
t_{oen}	40	I/O Cell OE to Output Enabled	–	3.4	–	3.4	ns
t_{odis}	41	I/O Cell OE to Output Disabled	–	3.4	–	3.4	ns
t_{goe}	42	Global Output Enable	–	3.6	–	5.6	ns
Clocks							
t_{gy0}	43	Clock Delay, Y0 to Global GLB Clock Line (Ref. clock)	1.6	1.6	2.4	2.4	ns
t_{gy1/2}	44	Clock Delay, Y1 or Y2 to Global GLB Clock Line	1.8	1.8	2.6	2.6	ns
Global Reset							
t_{gr}	45	Global Reset to GLB	–	5.8	–	7.1	ns

1. Internal Timing Parameters are not tested and are for reference only.
2. Refer to Timing Model in this data sheet for further details.
3. The XOR adjacent path can only be used by hard macros.

Table 2-0036D/2192VE v0.1

ispLSI 2192VE Timing Model



Derivations of tsu, th and tco from the Product Term Clock

$$tsu = \text{Logic} + \text{Reg su} - \text{Clock (min)}$$

$$= (t_{io} + t_{grp} + t_{20ptxor}) + (t_{gsu}) - (t_{io} + t_{grp} + t_{ptck(min)})$$

$$= (\#20 + \#22 + \#26) + (\#29) - (\#20 + \#22 + \#35)$$

$$3.1ns = (0.3 + 0.2 + 3.2) + (0.7) - (0.3 + 0.2 + 0.8)$$

$$th = \text{Clock (max)} + \text{Reg h} - \text{Logic}$$

$$= (t_{io} + t_{grp} + t_{ptck(max)}) + (t_{gh}) - (t_{io} + t_{grp} + t_{20ptxor})$$

$$= (\#20 + \#22 + \#35) + (\#30) - (\#20 + \#22 + \#26)$$

$$1.8ns = (0.3 + 0.2 + 3.2) + (1.8) - (0.3 + 0.2 + 3.2)$$

$$tco = \text{Clock (max)} + \text{Reg co} + \text{Output}$$

$$= (t_{io} + t_{grp} + t_{ptck(max)}) + (t_{gco}) + (t_{orp} + t_{ob})$$

$$= (\#20 + \#22 + \#35) + (\#31) + (\#36 + \#38)$$

$$6.5ns = (0.3 + 0.2 + 3.2) + (0.3) + (0.9 + 1.6)$$

Note: Calculations are based upon timing specifications for the ispLSI 2192VE-225L.

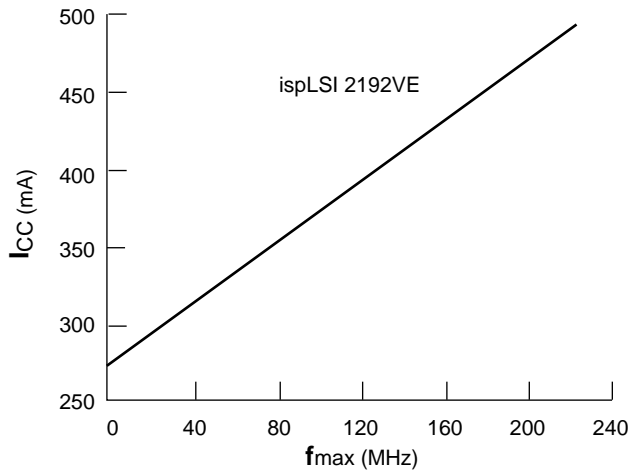
Table 2-0042A/2192VE v0.1

Power Consumption

Power consumption in the ispLSI 2192VE device depends on two primary factors: the speed at which the device is operating and the number of Product Terms

used. Figure 3 shows the relationship between power and operating speed.

Figure 3. Typical Device Power Consumption vs fmax



Notes: Configuration of twelve 16-bit counters
Typical current at 3.3V, 25° C

ICC can be estimated for the ispLSI 2192VE using the following equation:

$$I_{CC} = 25 + (\# \text{ of PTs} * 0.670) + (\# \text{ of nets} * \text{max freq} * 0.0051)$$

Where:

- # of PTs = Number of Product Terms used in design
- # of nets = Number of Signals used in device
- Max freq = Highest Clock Frequency to the device (in MHz)

The ICC estimate is based on typical conditions (VCC = 3.3V, room temperature) and an assumption of two GLB loads on average exists. These values are for estimates only. Since the value of ICC is sensitive to operating conditions and the program in the device, the actual ICC should be verified.

0127/2192VE

Signal Descriptions

Signal Name	Description
RESET	Active Low (0) Reset pin resets all the registers in the device.
GOE 0, GOE1	Global Output Enable input pins.
Y0, Y1, Y2	Dedicated Clock Input – These clock inputs are connected to one of the clock inputs of all the GLBs in the device.
BSCAN	Input – Dedicated in-system programming Boundary Scan enable input pin. This pin is brought low to enable the programming mode. The TMS, TDI, TDO and TCK controls become active.
TDI/IN 0	Input – This pin performs two functions. When BSCAN is logic low, it functions as a serial data input pin to load programming data into the device. When BSCAN is high, it functions as a dedicated input pin.
TCK/IN 7	Input – This pin performs two functions. When BSCAN is logic low, it functions as a clock pin for the Boundary Scan state machine. When BSCAN is high, it functions as a dedicated input pin.
TMS/IN 1	Input – This pin performs two functions. When BSCAN is logic low, it functions as a mode control pin for the Boundary Scan state machine. When BSCAN is high, it functions as a dedicated input pin.
TDO/IN 6	Output/Input – This pin performs two functions. When BSCAN is logic low, it functions as an output pin to read serial shift register data. When BSCAN is high, it functions as a dedicated input pin.
IN 2-5, IN 8-11	Dedicated Input Pins to the device.
GND	Ground (GND)
VCC	Vcc
NC ¹	No Connect
I/O	Input/Output Pins – These are the general purpose I/O pins used by the logic array.

1. NC pins are not to be connected to any active signals, VCC or GND.

Signal Locations

Signal Name	128-Pin TQFP	144-Ball fpBGA
RESET	15	G4
GOE 0, GOE 1	80, 17	F12, G2
Y0, Y1, Y2	14, 83, 78	F3, F10, G11
BSCAN	19	F1
TDI/IN 0	20	G3
TMS/IN 1	48	J6
TDO/IN 6	112	C7
TCK/IN 7	77	G12
IN 2-5, IN 8-11	—, 49, 82, —, 84, 113, 13, —	M7, J7, F9, G10, E12, B6, F2, E1
GND	18, 34, 50, 63, 79, 98, 111, 127	A1, A12, D4, D9, E5, E8, F6, F7, G6, G7, H5, H8, J4, J9, M1, M12
VCC	2, 16, 31, 47, 66, 81, 95, 114	B1, B12, E6, E7, F5, F8, G5, G8, H6, H7, L1, L12
NC ¹	—	K2

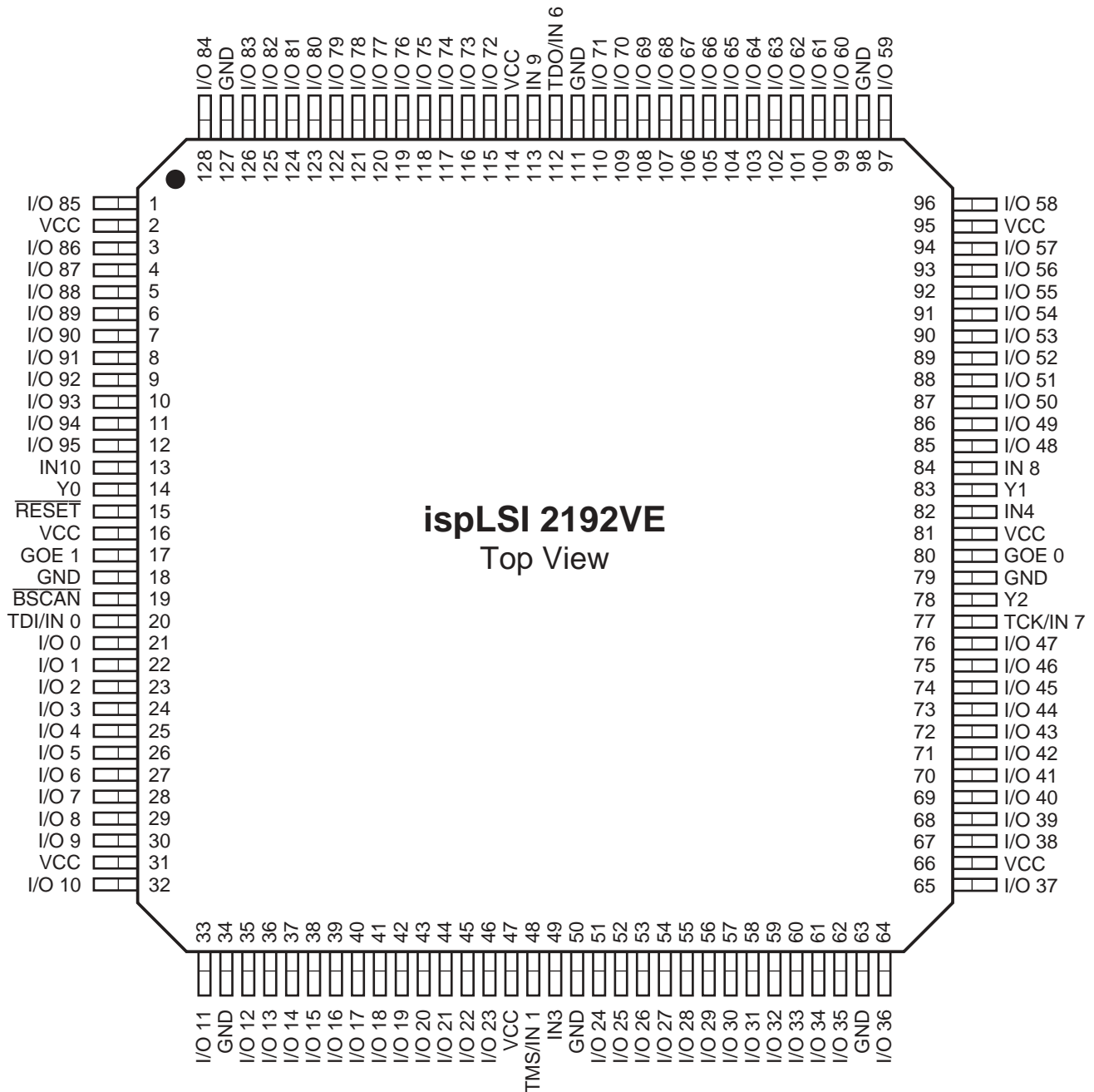
1. NC pins are not to be connected to any active signals, VCC or GND.

I/O Locations

Signal	128 TQFP	144 fpBGA	Signal	128 TQFP	144 fpBGA
I/O 0	21	H4	I/O 48	85	F11
I/O 1	22	G1	I/O 49	86	D12
I/O 2	23	H2	I/O 50	87	E9
I/O 3	24	H1	I/O 51	88	E10
I/O 4	25	H3	I/O 52	89	E11
I/O 5	26	J1	I/O 53	90	C12
I/O 6	27	J3	I/O 54	91	D10
I/O 7	28	K1	I/O 55	92	D11
I/O 8	29	J2	I/O 56	93	B11
I/O 9	30	M2	I/O 57	94	C11
I/O 10	32	L2	I/O 58	96	C10
I/O 11	33	L3	I/O 59	97	A11
I/O 12	35	K3	I/O 60	99	B10
I/O 13	36	M3	I/O 61	100	A10
I/O 14	37	L4	I/O 62	101	C9
I/O 15	38	K4	I/O 63	102	B9
I/O 16	39	M4	I/O 64	103	A9
I/O 17	40	J5	I/O 65	104	D8
I/O 18	41	M5	I/O 66	105	B8
I/O 19	42	K5	I/O 67	106	C8
I/O 20	43	L5	I/O 68	107	A8
I/O 21	44	M6	I/O 69	108	B7
I/O 22	45	L6	I/O 70	109	A7
I/O 23	46	K6	I/O 71	110	D7
I/O 24	51	L7	I/O 72	115	C6
I/O 25	52	K7	I/O 73	116	A6
I/O 26	53	J8	I/O 74	117	D6
I/O 27	54	M8	I/O 75	118	B5
I/O 28	55	L8	I/O 76	119	C5
I/O 29	56	K8	I/O 77	120	A5
I/O 30	57	M9	I/O 78	121	D5
I/O 31	58	L9	I/O 79	122	C4
I/O 32	59	K9	I/O 80	123	B4
I/O 33	60	M10	I/O 81	124	A4
I/O 34	61	L10	I/O 82	125	C3
I/O 35	62	M11	I/O 83	126	B3
I/O 36	64	K10	I/O 84	128	A3
I/O 37	65	K11	I/O 85	1	C2
I/O 38	67	L11	I/O 86	3	B2
I/O 39	68	K12	I/O 87	4	D2
I/O 40	69	J11	I/O 88	5	A2
I/O 41	70	J12	I/O 89	6	D3
I/O 42	71	J10	I/O 90	7	E2
I/O 43	72	H9	I/O 91	8	C1
I/O 44	73	H11	I/O 92	9	E3
I/O 45	74	H12	I/O 93	10	E4
I/O 46	75	H10	I/O 94	11	D1
I/O 47	76	G9	I/O 95	12	F4

Pin Configuration

ispLSI 2192VE 128-Pin TQFP Pinout Diagram



0124-2192VE

Signal Configuration

ispLSI 2192VE 144-Ball fpBGA Signal Diagram

	12	11	10	9	8	7	6	5	4	3	2	1	
A	GND	I/O 59	I/O 61	I/O 64	I/O 68	I/O 70	I/O 73	I/O 77	I/O 81	I/O 84	I/O 88	GND	A
B	VCC	I/O 56	I/O 60	I/O 63	I/O 66	I/O 69	IN 9	I/O 75	I/O 80	I/O 83	I/O 86	VCC	B
C	I/O 53	I/O 57	I/O 58	I/O 62	I/O 67	TDO/ IN 6	I/O 72	I/O 76	I/O 79	I/O 82	I/O 85	I/O 91	C
D	I/O 49	I/O 55	I/O 54	GND	I/O 65	I/O 71	I/O 74	I/O 78	GND	I/O 89	I/O 87	I/O 94	D
E	IN 8	I/O 52	I/O 51	I/O 50	GND	VCC	VCC	GND	I/O 93	I/O 92	I/O 90	IN 11	E
F	GOE 0	I/O 48	Y1	IN 4	VCC	GND	GND	VCC	I/O 95	Y0	IN 10	$\overline{\text{BSCAN}}$	F
G	TCK/ IN 7	Y2	IN 5	I/O 47	VCC	GND	GND	VCC	$\overline{\text{RESET}}$	TDI/ IN 0	GOE 1	I/O 1	G
H	I/O 45	I/O 44	I/O 46	I/O 43	GND	VCC	VCC	GND	I/O 0	I/O 4	I/O 2	I/O 3	H
J	I/O 41	I/O 40	I/O 42	GND	I/O 26	IN 3	TMS/ IN 1	I/O 17	GND	I/O 6	I/O 8	I/O 5	J
K	I/O 39	I/O 37	I/O 36	I/O 32	I/O 29	I/O 25	I/O 23	I/O 19	I/O 15	I/O 12	NC ¹	I/O 7	K
L	VCC	I/O 38	I/O 34	I/O 31	I/O 28	I/O 24	I/O 22	I/O 20	I/O 14	I/O 11	I/O 10	VCC	L
M	GND	I/O 35	I/O 33	I/O 30	I/O 27	IN 2	I/O 21	I/O 18	I/O 16	I/O 13	I/O 9	GND	M
	12	11	10	9	8	7	6	5	4	3	2	1	

144-BGA/2192VE

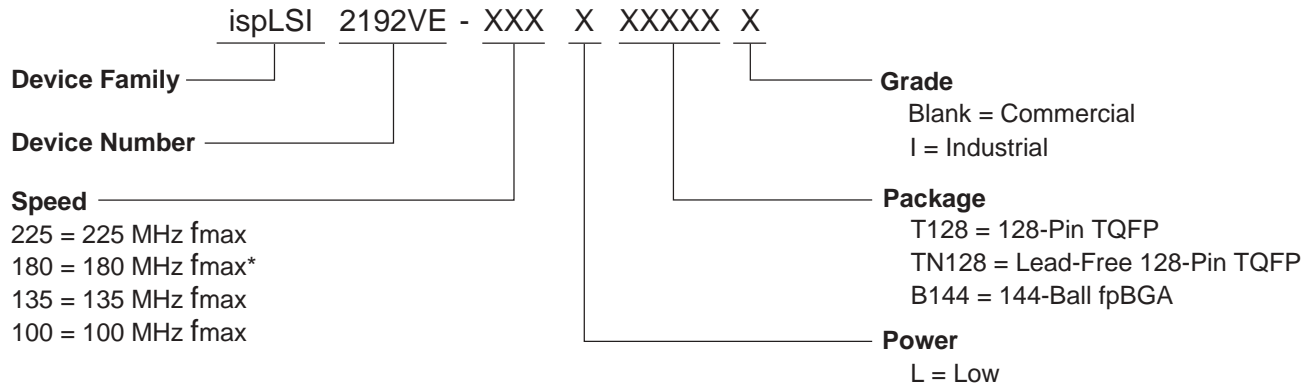
ispLSI 2192VE

Bottom View

¹NCs are not to be connected to any active signals, VCC or GND.

Note: Ball A1 indicator dot on top side of package.

Part Number Description



*ispLSI 2192VE-225 recommended for new designs.

0212B/2192VE

ispLSI 2192VE Ordering Information

Conventional Packaging

COMMERCIAL

FAMILY	f _{max} (MHz)	tpd (ns)	ORDERING NUMBER	PACKAGE
ispLSI	225	4.0	ispLSI 2192VE-225LT128	128-Pin TQFP
	225	4.0	ispLSI 2192VE-225LB144	144-Ball fpBGA
	180	5.0	ispLSI 2192VE-180LT128*	128-Pin TQFP
	180	5.0	ispLSI 2192VE-180LB144*	144-Ball fpBGA
	135	7.5	ispLSI 2192VE-135LT128	128-Pin TQFP
	135	7.5	ispLSI 2192VE-135LB144	144-Ball fpBGA
	100	10	ispLSI 2192VE-100LT128	128-Pin TQFP
	100	10	ispLSI 2192VE-100LB144	144-Ball fpBGA

*ispLSI 2192VE-225 recommended for new designs.

Table 2-0041D/2192VE

INDUSTRIAL

FAMILY	f _{max} (MHz)	tpd (ns)	ORDERING NUMBER	PACKAGE
ispLSI	180	5.0	ispLSI 2192VE-180LT128I	128-Pin TQFP

Table 2-0041A/2192VE

Lead-Free Packaging

COMMERCIAL

FAMILY	f _{max} (MHz)	tpd (ns)	ORDERING NUMBER	PACKAGE
ispLSI	225	4.0	ispLSI 2192VE-225LTN128	Lead-Free 128-Pin TQFP
	135	7.5	ispLSI 2192VE-135LTN128	Lead-Free 128-Pin TQFP
	100	10	ispLSI 2192VE-100LTN128	Lead-Free 128-Pin TQFP

INDUSTRIAL

FAMILY	f _{max} (MHz)	tpd (ns)	ORDERING NUMBER	PACKAGE
ispLSI	180	7.5	ispLSI 2192VE-180LTN128I	Lead-Free 128-Pin TQFP