

Packaging specifications

<surface mounting type>

●Taping Code

Taping Code	Package	Package Specification	Packaging Style, Direction	Ordering Unit (pcs/reel)
T2R	GMD2	Embossed tape	Cathode at sprocket side	8,000
T2R	VMN2	Embossed tape	Cathode at sprocket side	8,000
T2R	VMD2	Embossed tape	Cathode at sprocket side	8,000
T2L	VMD3	Embossed tape	One terminal at sprocket side	8,000
TE61	EMD2	Embossed tape	Cathode at sprocket side	3,000
TL	EMD3	Embossed tape	One terminal at sprocket side	3,000
T2R	EMD4 EMD5 TEMD5 EMD6	Embossed tape	Cathode at sprocket side	8,000
TE-17 TW11*1	UMD2	Embossed tape	Cathode at sprocket side	3,000
T106	UMD3	Embossed tape	One terminal at sprocket side	3,000
TL	UMD4	Embossed tape	Cathode at sprocket side (DA227)	3,000
TR	UMD5	Embossed tape	Three terminals at sprocket side	3,000
TR	UMD6	Embossed tape	Cathode at sprocket side	3,000
TN	UMD6	Embossed tape	No feed direction	3,000
★TR*2			Cathode at sprocket side	
T116	SSD3	Embossed tape	One terminal at sprocket side	3,000
T146	SMD3	Embossed tape	One terminal at sprocket side	3,000
T148	SMD5	Embossed tape	Three terminals at sprocket side	3,000
T108*3 T110	SMD6	Embossed tape	Anode at sprocket side	3,000
			No feed direction	
TR	TSMDS	Embossed tape	Pin1 at sprocket side	3,000
TR	TSMDS	Embossed tape	Pin1 at sprocket side	3,000
TR	TUMD2	Embossed tape	Cathode at sprocket side	3,000
TR	TUMD5	Embossed tape	Pin1 at sprocket side	3,000
TR	PMDU	Embossed tape	Cathode at sprocket side	3,000
TR	PMDT	Embossed tape	Cathode at sprocket side	3,000
TE25	PMDS	Embossed tape	Cathode at sprocket side	1,500
TL	CPD	Embossed tape	Fin at sprocket side	2,500
TL	LPDS	Embossed tape	Fin at sprocket side	1,000
-	TO-220	Bulk	-	500
TE-11	LLDS	Embossed tape	Cathode at sprocket side	2,500
TE61	HMD8	Embossed tape	Cathode at sprocket side	3,000
TE61	HMD12	Embossed tape	Cathode at sprocket side	3,000

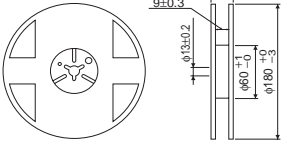
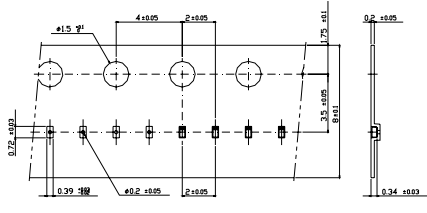
Notes: *1 Regarding the UMD2 package, only 1SS356 is available in TW11.

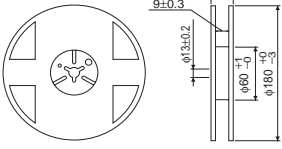
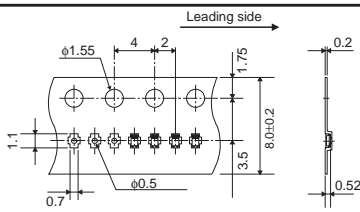
*2 Regarding the UMD6 package, only RB731XN is offered in TR.

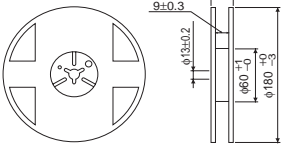
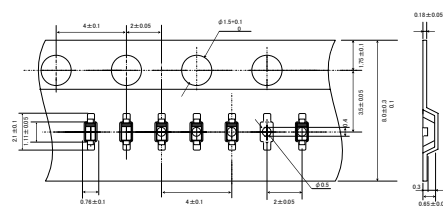
*3 Regarding the SMD6 package, only IMN10 and RB731U are available in T108.

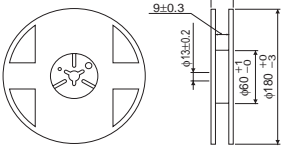
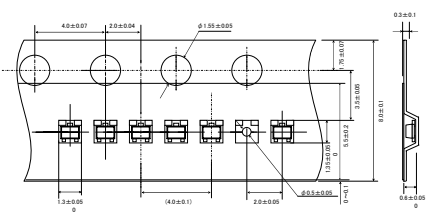
★ Available outside Japan

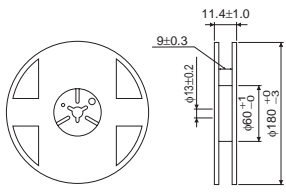
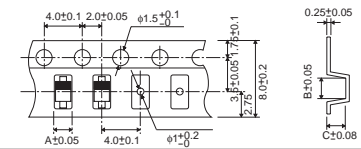
●Taping Specifications (Unit : mm)

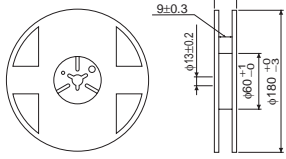
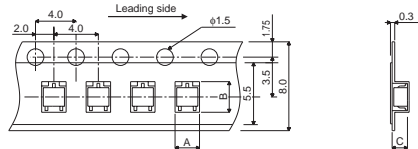
Reel	Taping				
GMD2					
 <p>EIAJ-ETX-7001 compatible</p>	 <table border="1"> <tr> <td>Code</td> <td>Quantity/Reel</td> </tr> <tr> <td>T2R</td> <td>8,000</td> </tr> </table>	Code	Quantity/Reel	T2R	8,000
Code	Quantity/Reel				
T2R	8,000				

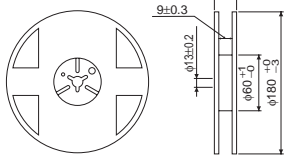
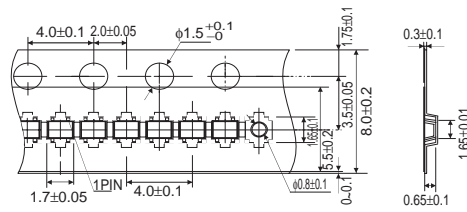
Reel	Taping				
VMN2					
 <p>EIAJ-ETX-7001 compatible</p>	 <table border="1"> <tr> <td>Code</td> <td>Quantity/Reel</td> </tr> <tr> <td>T2R</td> <td>8,000</td> </tr> </table>	Code	Quantity/Reel	T2R	8,000
Code	Quantity/Reel				
T2R	8,000				

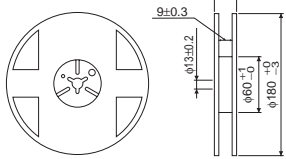
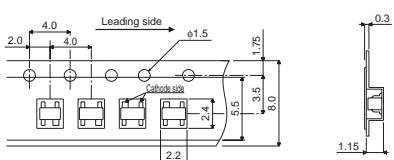
Reel	Taping				
VMD2					
 <p>EIAJ-ETX-7001 compatible</p>	 <table border="1"> <tr> <td>Code</td> <td>Quantity/Reel</td> </tr> <tr> <td>T2R</td> <td>8,000</td> </tr> </table>	Code	Quantity/Reel	T2R	8,000
Code	Quantity/Reel				
T2R	8,000				

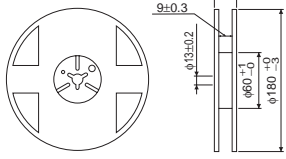
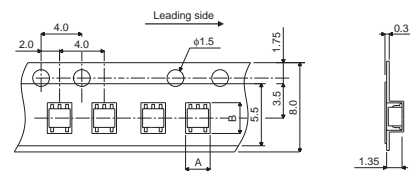
Reel	Taping				
VMD3					
 <p>EIAJ-ETX-7001 compatible</p>	 <table border="1"> <tr> <td>Code</td> <td>Quantity/Reel</td> </tr> <tr> <td>T2L</td> <td>8,000</td> </tr> </table>	Code	Quantity/Reel	T2L	8,000
Code	Quantity/Reel				
T2L	8,000				

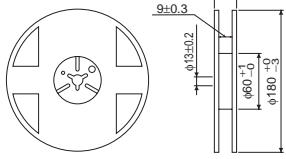
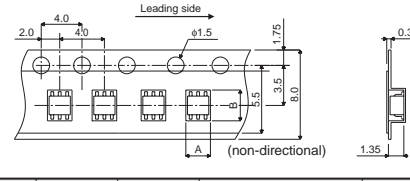
Reel	Taping																																	
EMD2/UMD2/TUMD2/PMDU																																		
 <p style="text-align: center;">EIAJ-ETX-7001 compatible</p>	 <table border="1" style="margin: 10px auto; border-collapse: collapse;"> <thead> <tr> <th rowspan="2">Package</th> <th rowspan="2">Code</th> <th colspan="3">Dimensions</th> <th rowspan="2">Quantity/Reel</th> </tr> <tr> <th>A</th> <th>B</th> <th>C</th> </tr> </thead> <tbody> <tr> <td>EMD2</td> <td>TE61</td> <td>0.9</td> <td>1.3</td> <td>0.8</td> <td>3,000</td> </tr> <tr> <td>UMD2</td> <td>TE-17 TW11</td> <td>1.4</td> <td>2.8</td> <td>1.0</td> <td>3,000</td> </tr> <tr> <td>TUMD2</td> <td>TR</td> <td>1.4</td> <td>2.8</td> <td>0.9</td> <td>3,000</td> </tr> <tr> <td>PMDU</td> <td>TR</td> <td>1.8</td> <td>3.7</td> <td>1.5</td> <td>3,000</td> </tr> </tbody> </table> <p style="text-align: center; font-size: small;">Regarding the UMD2 package, only 1SS356 is available in TW11.</p>	Package	Code	Dimensions			Quantity/Reel	A	B	C	EMD2	TE61	0.9	1.3	0.8	3,000	UMD2	TE-17 TW11	1.4	2.8	1.0	3,000	TUMD2	TR	1.4	2.8	0.9	3,000	PMDU	TR	1.8	3.7	1.5	3,000
Package	Code			Dimensions				Quantity/Reel																										
		A	B	C																														
EMD2	TE61	0.9	1.3	0.8	3,000																													
UMD2	TE-17 TW11	1.4	2.8	1.0	3,000																													
TUMD2	TR	1.4	2.8	0.9	3,000																													
PMDU	TR	1.8	3.7	1.5	3,000																													

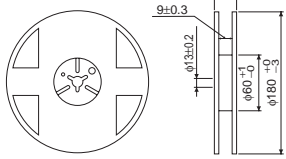
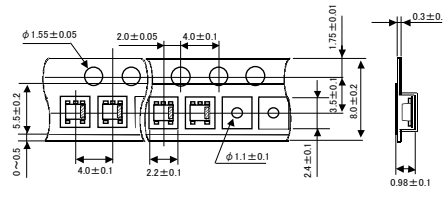
Reel	Taping																																	
EMD3/UMD3/SSD3/SMD3																																		
 <p style="text-align: center;">EIAJ-ETX-7001 compatible</p>	 <table border="1" style="margin: 10px auto; border-collapse: collapse;"> <thead> <tr> <th rowspan="2">Package</th> <th rowspan="2">Code</th> <th colspan="3">Dimensions</th> <th rowspan="2">Quantity/Reel</th> </tr> <tr> <th>A</th> <th>B</th> <th>C</th> </tr> </thead> <tbody> <tr> <td>EMD3</td> <td>TL</td> <td>1.8</td> <td>1.8</td> <td>0.9</td> <td>3,000</td> </tr> <tr> <td>UMD3</td> <td>T106</td> <td>2.2</td> <td>2.7</td> <td>1.15</td> <td>3,000</td> </tr> <tr> <td>★SSD3</td> <td>T116</td> <td>3.1</td> <td>2.85</td> <td>1.4</td> <td>3,000</td> </tr> <tr> <td>SMD3</td> <td>T146</td> <td>3.2</td> <td>3.2</td> <td>1.35</td> <td>3,000</td> </tr> </tbody> </table>	Package	Code	Dimensions			Quantity/Reel	A	B	C	EMD3	TL	1.8	1.8	0.9	3,000	UMD3	T106	2.2	2.7	1.15	3,000	★SSD3	T116	3.1	2.85	1.4	3,000	SMD3	T146	3.2	3.2	1.35	3,000
Package	Code			Dimensions				Quantity/Reel																										
		A	B	C																														
EMD3	TL	1.8	1.8	0.9	3,000																													
UMD3	T106	2.2	2.7	1.15	3,000																													
★SSD3	T116	3.1	2.85	1.4	3,000																													
SMD3	T146	3.2	3.2	1.35	3,000																													

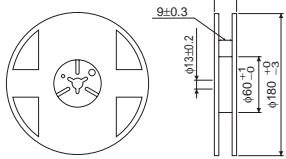
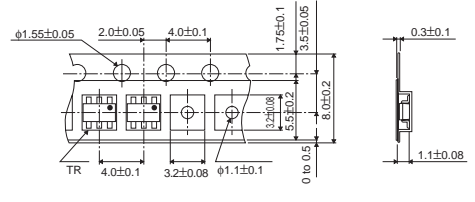
Reel	Taping				
EMD4/EMD5/TEMD5/EMD6					
 <p style="text-align: center;">EIAJ-ETX-7001 compatible</p>	 <table border="1" style="margin: 10px auto; border-collapse: collapse;"> <thead> <tr> <th>Code</th> <th>Quantity/Reel</th> </tr> </thead> <tbody> <tr> <td>T2R</td> <td>3,000</td> </tr> </tbody> </table>	Code	Quantity/Reel	T2R	3,000
Code	Quantity/Reel				
T2R	3,000				

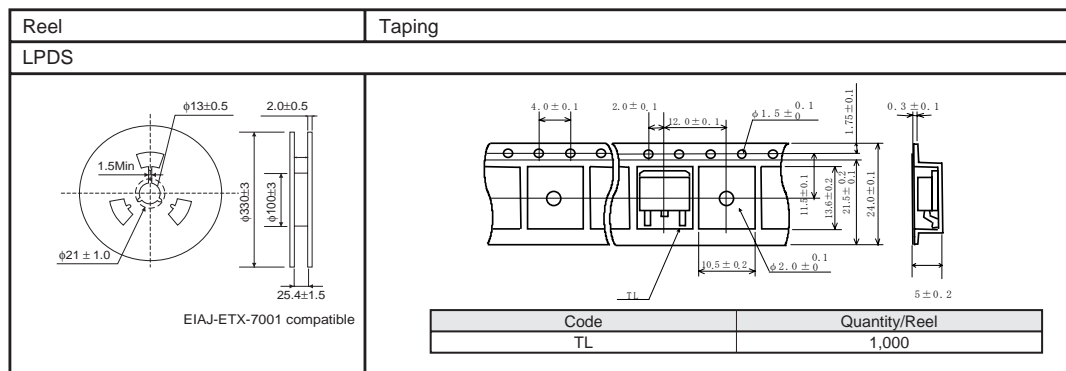
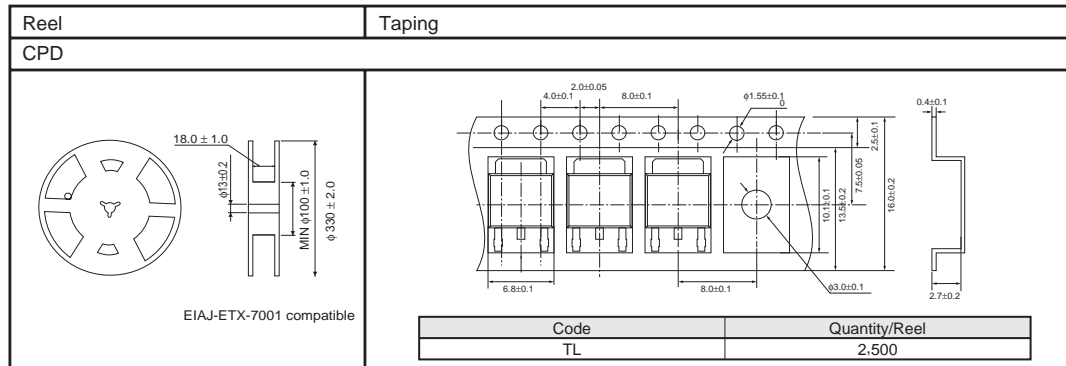
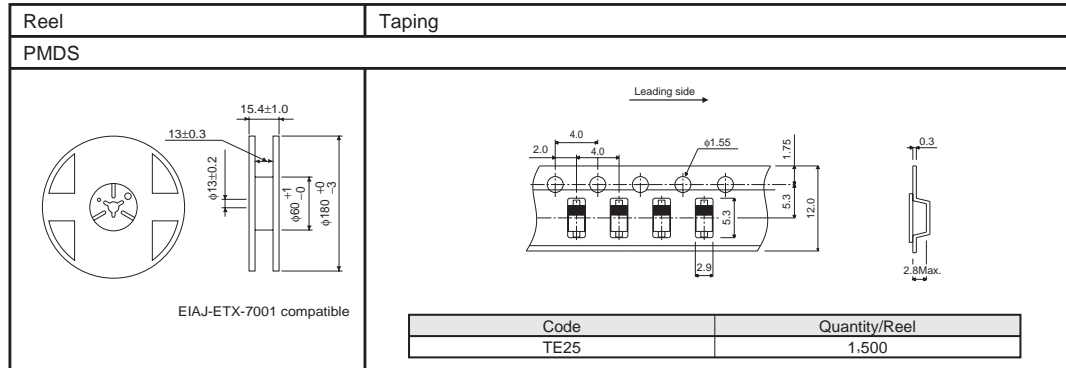
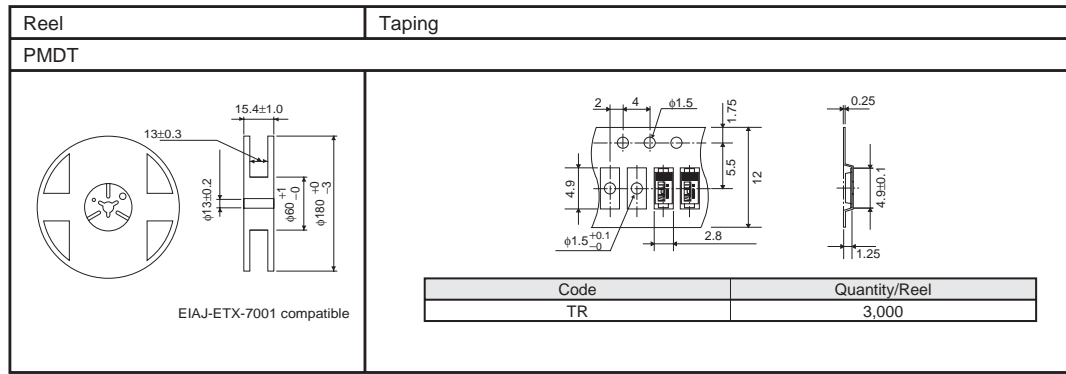
Reel	Taping				
UMD4 <SOT-343> (SC-82)					
 <p style="text-align: center;">EIAJ-ETX-7001 compatible</p>	 <table border="1" style="margin: 10px auto; border-collapse: collapse;"> <thead> <tr> <th>Code</th> <th>Quantity/Reel</th> </tr> </thead> <tbody> <tr> <td>TL</td> <td>3,000</td> </tr> </tbody> </table>	Code	Quantity/Reel	TL	3,000
Code	Quantity/Reel				
TL	3,000				

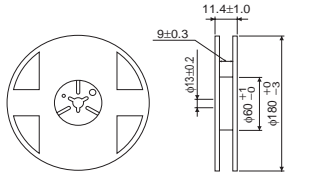
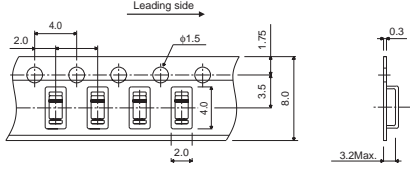
Reel		Taping																		
UMD5/SMD5																				
 <p>EIAJ-ETX-7001 compatible</p>																				
	<table border="1"> <thead> <tr> <th rowspan="2">Package</th> <th rowspan="2">Code</th> <th colspan="2">Dimensions</th> <th rowspan="2">Quantity/Reel</th> </tr> <tr> <th>A</th> <th>B</th> </tr> </thead> <tbody> <tr> <td>UMD5</td> <td>TR</td> <td>2.2</td> <td>2.4</td> <td>3,000</td> </tr> <tr> <td>SMD5</td> <td>T148</td> <td>3.2</td> <td>3.2</td> <td>3,000</td> </tr> </tbody> </table>	Package	Code	Dimensions		Quantity/Reel	A	B	UMD5	TR	2.2	2.4	3,000	SMD5	T148	3.2	3.2	3,000		
Package	Code			Dimensions			Quantity/Reel													
		A	B																	
UMD5	TR	2.2	2.4	3,000																
SMD5	T148	3.2	3.2	3,000																

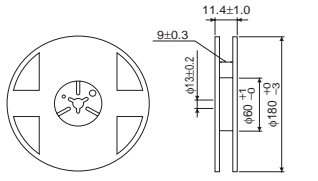
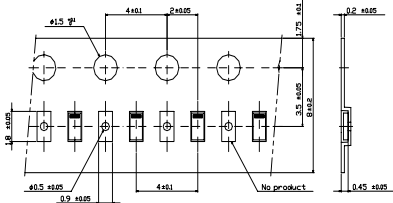
Reel		Taping																															
UMD6/SMD6																																	
 <p>EIAJ-ETX-7001 compatible</p>																																	
	<table border="1"> <thead> <tr> <th rowspan="2">Package</th> <th rowspan="2">Code</th> <th rowspan="2">Directional</th> <th colspan="2">Dimensions</th> <th rowspan="2">Quantity/Reel</th> </tr> <tr> <th>A</th> <th>B</th> </tr> </thead> <tbody> <tr> <td rowspan="2">UMD6</td> <td>TR</td> <td>Cathode at sprocket side</td> <td>2.2</td> <td>2.4</td> <td>3,000</td> </tr> <tr> <td>TN</td> <td>Cathode at either side</td> <td>2.2</td> <td>2.4</td> <td>3,000</td> </tr> <tr> <td rowspan="2">SMD6</td> <td>T108</td> <td>Anode at sprocket side</td> <td>3.2</td> <td>3.2</td> <td>3,000</td> </tr> <tr> <td>T110</td> <td>Cathode at either side</td> <td>3.2</td> <td>3.2</td> <td>3,000</td> </tr> </tbody> </table>	Package	Code	Directional	Dimensions		Quantity/Reel	A	B	UMD6	TR	Cathode at sprocket side	2.2	2.4	3,000	TN	Cathode at either side	2.2	2.4	3,000	SMD6	T108	Anode at sprocket side	3.2	3.2	3,000	T110	Cathode at either side	3.2	3.2	3,000		
Package	Code				Directional	Dimensions		Quantity/Reel																									
		A	B																														
UMD6	TR	Cathode at sprocket side	2.2	2.4	3,000																												
	TN	Cathode at either side	2.2	2.4	3,000																												
SMD6	T108	Anode at sprocket side	3.2	3.2	3,000																												
	T110	Cathode at either side	3.2	3.2	3,000																												

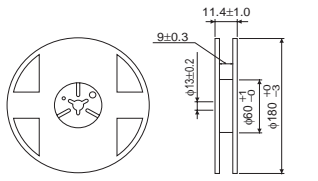
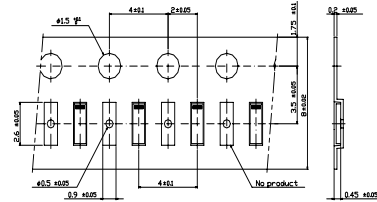
Reel		Taping					
TUMD5							
 <p>EIAJ-ETX-7001 compatible</p>							
	<table border="1"> <thead> <tr> <th>Code</th> <th>Quantity/Reel</th> </tr> </thead> <tbody> <tr> <td>TR</td> <td>3,000</td> </tr> </tbody> </table>	Code	Quantity/Reel	TR	3,000		
Code	Quantity/Reel						
TR	3,000						

Reel		Taping					
TSMD5/TSMD6							
 <p>EIAJ-ETX-7001 compatible</p>							
	<table border="1"> <thead> <tr> <th>Code</th> <th>Quantity/Reel</th> </tr> </thead> <tbody> <tr> <td>TR</td> <td>3,000</td> </tr> </tbody> </table>	Code	Quantity/Reel	TR	3,000		
Code	Quantity/Reel						
TR	3,000						



Reel LLDS	Taping				
 <p style="text-align: center;">EIAJ-ETX-7001 compatible</p>	 <table border="1" style="width: 100%; border-collapse: collapse; margin-top: 10px;"> <tr> <td style="width: 50%; padding: 2px;">Code</td> <td style="width: 50%; padding: 2px;">Quantity/Reel</td> </tr> <tr> <td style="padding: 2px;">TE-11</td> <td style="padding: 2px;">2,500</td> </tr> </table>	Code	Quantity/Reel	TE-11	2,500
Code	Quantity/Reel				
TE-11	2,500				

Reel HMD12	Taping				
 <p style="text-align: center;">EIAJ-ETX-7001 compatible</p>	 <table border="1" style="width: 100%; border-collapse: collapse; margin-top: 10px;"> <tr> <td style="width: 50%; padding: 2px;">Code</td> <td style="width: 50%; padding: 2px;">Quantity/Reel</td> </tr> <tr> <td style="padding: 2px;">TE61</td> <td style="padding: 2px;">3,000</td> </tr> </table>	Code	Quantity/Reel	TE61	3,000
Code	Quantity/Reel				
TE61	3,000				

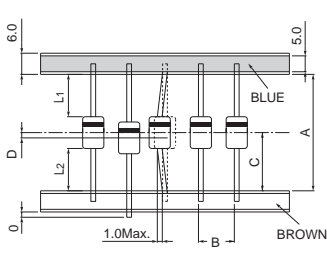
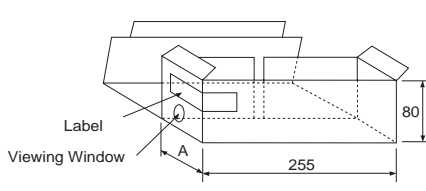
Reel HMD18	Taping				
 <p style="text-align: center;">EIAJ-ETX-7001 compatible</p>	 <table border="1" style="width: 100%; border-collapse: collapse; margin-top: 10px;"> <tr> <td style="width: 50%; padding: 2px;">Code</td> <td style="width: 50%; padding: 2px;">Quantity/Reel</td> </tr> <tr> <td style="padding: 2px;">TE61</td> <td style="padding: 2px;">3,000</td> </tr> </table>	Code	Quantity/Reel	TE61	3,000
Code	Quantity/Reel				
TE61	3,000				

<leaded type>

●Taping Code

Taping Code	Package	Package Specification		Packaging Style, Direction	Ordering Unit (pcs)
T-72	MSD (DO-34)	Axial taping	52mm width	Ammo box	5,000
T-77			26mm width		
T-72	GSD (DO-35)	Axial taping	52mm width	Ammo box	5,000
T-77			26mm width		
T-31	MSR (DO-41mini)	Axial taping	52mm width	Ammo box	2,500
T-32			26mm width		

●Taping Specifications (Unit : mm)

Taping	Box																																									
<p>MSD/MSR</p>  <table border="1" style="width: 100%; border-collapse: collapse; margin-top: 10px;"> <thead> <tr> <th>Code</th> <th>T-72</th> <th>T-31</th> <th>T-77</th> <th>T-32</th> </tr> </thead> <tbody> <tr> <td>Quantity / Box</td> <td>5,000</td> <td>2,500</td> <td>5,000</td> <td>2,500</td> </tr> <tr> <td>A</td> <td>52.4</td> <td></td> <td>26.0</td> <td></td> </tr> <tr> <td>B</td> <td>5.0</td> <td></td> <td>5.0</td> <td></td> </tr> <tr> <td>C</td> <td>1/2A</td> <td></td> <td>1/2A</td> <td></td> </tr> <tr> <td>D</td> <td>0.7Max.</td> <td></td> <td>0.2Max.</td> <td></td> </tr> <tr> <td>L1-L2</td> <td>1.5Max.</td> <td></td> <td>0.4Max.</td> <td></td> </tr> </tbody> </table>	Code	T-72	T-31	T-77	T-32	Quantity / Box	5,000	2,500	5,000	2,500	A	52.4		26.0		B	5.0		5.0		C	1/2A		1/2A		D	0.7Max.		0.2Max.		L1-L2	1.5Max.		0.4Max.		<p>T-31, T-32, T-72, T-77</p>  <table border="1" style="width: 100%; border-collapse: collapse; margin-top: 10px;"> <thead> <tr> <th>Symbol</th> <th>52 mm width</th> <th>26 mm width</th> </tr> </thead> <tbody> <tr> <td>A</td> <td>80</td> <td>50</td> </tr> </tbody> </table>	Symbol	52 mm width	26 mm width	A	80	50
Code	T-72	T-31	T-77	T-32																																						
Quantity / Box	5,000	2,500	5,000	2,500																																						
A	52.4		26.0																																							
B	5.0		5.0																																							
C	1/2A		1/2A																																							
D	0.7Max.		0.2Max.																																							
L1-L2	1.5Max.		0.4Max.																																							
Symbol	52 mm width	26 mm width																																								
A	80	50																																								

Notes

No copying or reproduction of this document, in part or in whole, is permitted without the consent of ROHM Co.,Ltd.

The content specified herein is subject to change for improvement without notice.

The content specified herein is for the purpose of introducing ROHM's products (hereinafter "Products"). If you wish to use any such Product, please be sure to refer to the specifications, which can be obtained from ROHM upon request.

Examples of application circuits, circuit constants and any other information contained herein illustrate the standard usage and operations of the Products. The peripheral conditions must be taken into account when designing circuits for mass production.

Great care was taken in ensuring the accuracy of the information specified in this document. However, should you incur any damage arising from any inaccuracy or misprint of such information, ROHM shall bear no responsibility for such damage.

The technical information specified herein is intended only to show the typical functions of and examples of application circuits for the Products. ROHM does not grant you, explicitly or implicitly, any license to use or exercise intellectual property or other rights held by ROHM and other parties. ROHM shall bear no responsibility whatsoever for any dispute arising from the use of such technical information.

The Products specified in this document are intended to be used with general-use electronic equipment or devices (such as audio visual equipment, office-automation equipment, communication devices, electronic appliances and amusement devices).

The Products are not designed to be radiation tolerant.

While ROHM always makes efforts to enhance the quality and reliability of its Products, a Product may fail or malfunction for a variety of reasons.

Please be sure to implement in your equipment using the Products safety measures to guard against the possibility of physical injury, fire or any other damage caused in the event of the failure of any Product, such as derating, redundancy, fire control and fail-safe designs. ROHM shall bear no responsibility whatsoever for your use of any Product outside of the prescribed scope or not in accordance with the instruction manual.

The Products are not designed or manufactured to be used with any equipment, device or system which requires an extremely high level of reliability the failure or malfunction of which may result in a direct threat to human life or create a risk of human injury (such as a medical instrument, transportation equipment, aerospace machinery, nuclear-reactor controller, fuel-controller or other safety device). ROHM shall bear no responsibility in any way for use of any of the Products for the above special purposes. If a Product is intended to be used for any such special purpose, please contact a ROHM sales representative before purchasing.

If you intend to export or ship overseas any Product or technology specified herein that may be controlled under the Foreign Exchange and the Foreign Trade Law, you will be required to obtain a license or permit under the Law.

Thank you for your accessing to ROHM product informations.

More detail product informations and catalogs are available, please contact your nearest sales office.

ROHM Customer Support System

THE AMERICAS / EUROPE / ASIA / JAPAN

www.rohm.com

Contact us : webmaster@rohm.co.jp