

DATA SHEET

2PD601A series

**NPN general purpose transistors;
50 V, 100 mA**

Product data sheet
Supersedes data of 2002 Jun 26

2004 Feb 12



NPN general purpose transistors; 50 V, 100 mA

2PD601A series

FEATURES

- Available in SOT323 (SC-70) and SOT346 (SC-59) packages
- Available in three different DC current gain versions (Q, R, S).

APPLICATIONS

- General purpose switching and amplification.

DESCRIPTION

NPN general purpose transistors (see “Simplified outline, symbol and pinning” for package details).

QUICK REFERENCE DATA

SYMBOL	PARAMETER	MIN.	MAX.	UNIT
V_{CEO}	collector-emitter voltage	–	50	V
I_C	collector current (DC)	–	100	mA
h_{FE}	DC current gain			
	group Q	160	260	
	group R	210	340	
	group S	290	460	

PRODUCT OVERVIEW

TYPE NUMBER	PACKAGE		MARKING CODE	h_{FE} GROUP
	PHILIPS	EIAJ		
2PD601AQ	SOT346	SC-59	ZQ	Q
2PD601AR	SOT346	SC-59	ZR	R
2PD601AS	SOT346	SC-59	ZS	S
2PD601AQW	SOT323	SC-70	*6D	Q
2PD601ARW	SOT323	SC-70	*6E	R
2PD601ASW	SOT323	SC-70	*6F	S

Note

- * = p: Made in Hong Kong.
 * = t: Made in Malaysia.
 * = W: Made in China.

SIMPLIFIED OUTLINE, SYMBOL AND PINNING

TYPE NUMBER	SIMPLIFIED OUTLINE AND SYMBOL	PINNING	
		PIN	DESCRIPTION
2PD601AQ 2PD601AR 2PD601AS 2PD601AQW 2PD601ARW 2PD601ASW	<p>Top view</p> <p>MAM321</p>	1 2 3	base emitter collector

NPN general purpose transistors; 50 V,
100 mA

2PD601A series

ORDERING INFORMATION

TYPE NUMBER	PACKAGE		
	NAME	DESCRIPTION	VERSION
2PD601AQ	–	plastic surface mounted package; 3 leads	SOT346
2PD601AR			
2PD601AS			
2PD601AQW	–	plastic surface mounted package; 3 leads	SOT323
2PD601ARW			
2PD601ASW			

LIMITING VALUES

In accordance with the Absolute Maximum Rating System (IEC 60134).

SYMBOL	PARAMETER	CONDITIONS	MIN.	MAX.	UNIT
V_{CBO}	collector-base voltage	open emitter	–	60	V
V_{CEO}	collector-emitter voltage	open base	–	50	V
V_{EBO}	emitter-base voltage	open collector	–	6	V
I_C	collector current (DC)		–	100	mA
I_{CM}	peak collector current		–	200	mA
P_{tot}	total power dissipation SOT346 SOT323	$T_{amb} \leq 25\text{ °C}$; note 1	– –	250 200	mW mW
T_{stg}	storage temperature		–65	+150	°C
T_j	junction temperature		–	150	°C
T_{amb}	operating ambient temperature		–65	+150	°C

Note

1. Refer to SOT346 (SC-59) and SOT323 (SC-70) standard mounting conditions.

THERMAL CHARACTERISTICS

SYMBOL	PARAMETER	CONDITIONS	VALUE	UNIT
$R_{th(j-a)}$	thermal resistance from junction to ambient SOT346 SOT323	note 1	500 625	K/W K/W

Note

1. Refer to SOT346 (SC-59) and SOT323 (SC-70) standard mounting conditions.

Soldering

Reflow soldering is the only recommended soldering method.

NPN general purpose transistors; 50 V, 100 mA

2PD601A series

CHARACTERISTICS

$T_{amb} = 25\text{ °C}$ unless otherwise specified.

SYMBOL	PARAMETER	CONDITIONS	MIN.	MAX.	UNIT
I_{CBO}	collector-base cut-off current	$I_E = 0; V_{CB} = 60\text{ V}$	–	10	nA
		$I_E = 0; V_{CB} = 60\text{ V}; T_j = 150\text{ °C}$	–	5	μA
I_{EBO}	emitter-base cut-off current	$I_C = 0; V_{EB} = 5\text{ V}$	–	10	nA
h_{FE}	DC current gain	$I_C = 100\text{ mA}; V_{CE} = 2\text{ V};$ note 1	90	–	
h_{FE}	DC current gain group Q group R group S	$I_C = 2\text{ mA}; V_{CE} = 10\text{ V}$	160	260	
			210	340	
			290	460	
V_{CEsat}	collector-emitter saturation voltage	$I_C = 100\text{ mA}; I_B = 10\text{ mA};$ note 1	–	250	mV
C_C	collector capacitance	$I_E = I_E = 0; V_{CB} = 10\text{ V}; f = 1\text{ MHz}$	–	3	pF
f_T	transition frequency	$I_C = 2\text{ mA}; V_{CE} = 10\text{ V};$ $f = 100\text{ MHz}$	100	–	MHz

Note

1. Pulse test: $t_p \leq 300\text{ }\mu\text{s}; \delta \leq 0.02.$

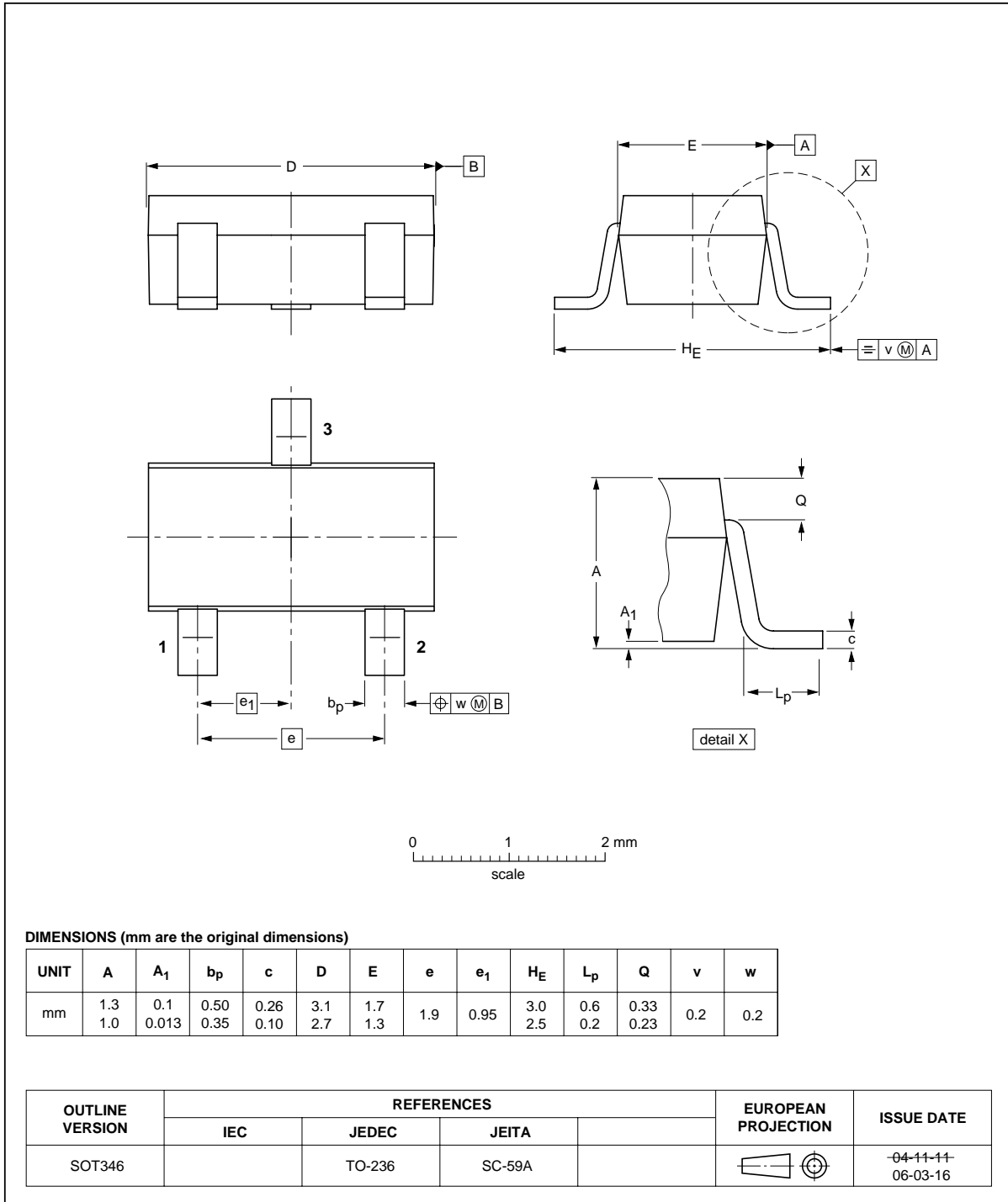
NPN general purpose transistors; 50 V,
100 mA

2PD601A series

PACKAGE OUTLINES

Plastic surface-mounted package; 3 leads

SOT346

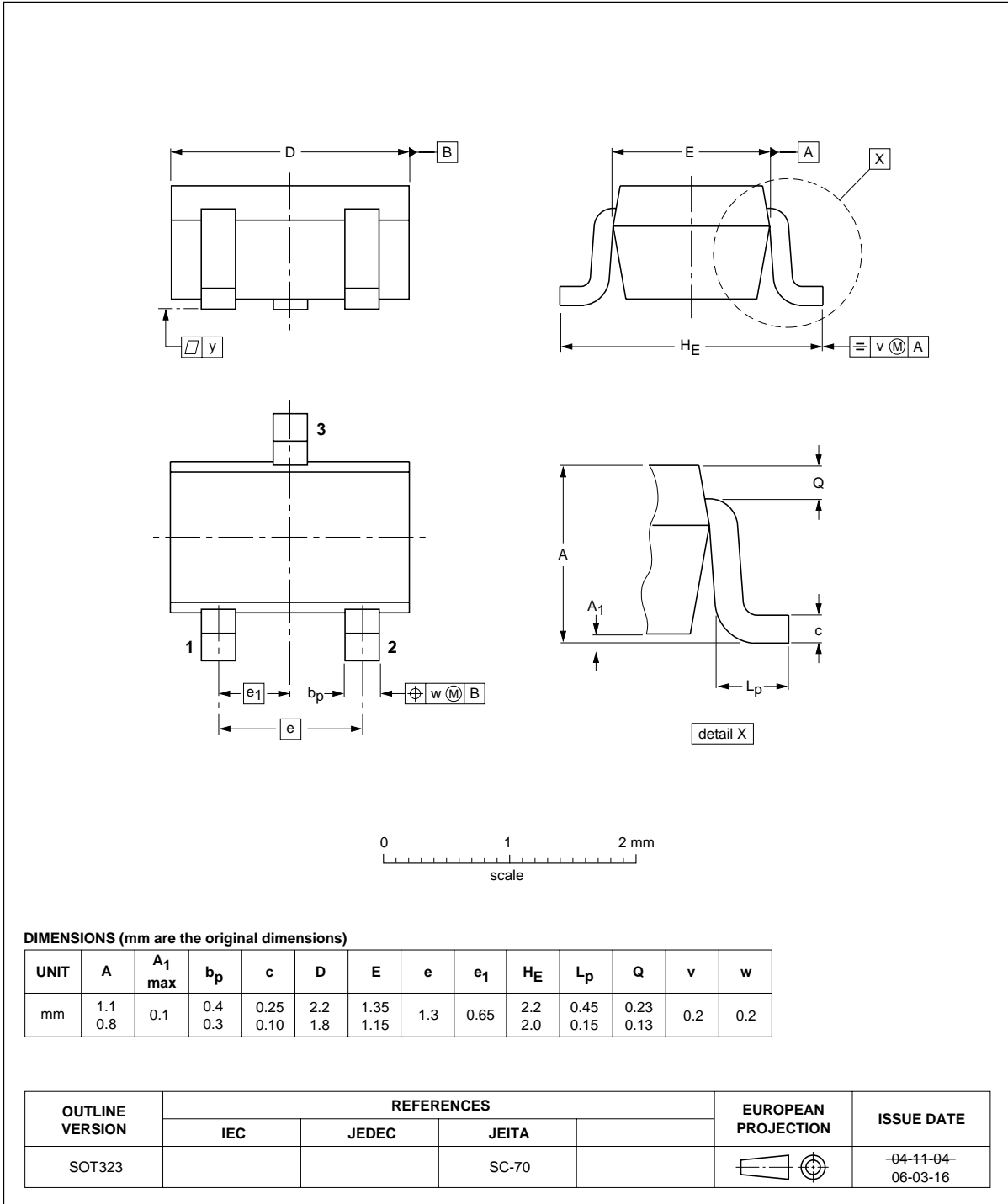


NPN general purpose transistors; 50 V,
100 mA

2PD601A series

Plastic surface-mounted package; 3 leads

SOT323



NPN general purpose transistors; 50 V, 100 mA

2PD601A series

DATA SHEET STATUS

DOCUMENT STATUS ⁽¹⁾	PRODUCT STATUS ⁽²⁾	DEFINITION
Objective data sheet	Development	This document contains data from the objective specification for product development.
Preliminary data sheet	Qualification	This document contains data from the preliminary specification.
Product data sheet	Production	This document contains the product specification.

Notes

1. Please consult the most recently issued document before initiating or completing a design.
2. The product status of device(s) described in this document may have changed since this document was published and may differ in case of multiple devices. The latest product status information is available on the Internet at URL <http://www.nxp.com>.

DISCLAIMERS

General — Information in this document is believed to be accurate and reliable. However, NXP Semiconductors does not give any representations or warranties, expressed or implied, as to the accuracy or completeness of such information and shall have no liability for the consequences of use of such information.

Right to make changes — NXP Semiconductors reserves the right to make changes to information published in this document, including without limitation specifications and product descriptions, at any time and without notice. This document supersedes and replaces all information supplied prior to the publication hereof.

Suitability for use — NXP Semiconductors products are not designed, authorized or warranted to be suitable for use in medical, military, aircraft, space or life support equipment, nor in applications where failure or malfunction of an NXP Semiconductors product can reasonably be expected to result in personal injury, death or severe property or environmental damage. NXP Semiconductors accepts no liability for inclusion and/or use of NXP Semiconductors products in such equipment or applications and therefore such inclusion and/or use is at the customer's own risk.

Applications — Applications that are described herein for any of these products are for illustrative purposes only. NXP Semiconductors makes no representation or warranty that such applications will be suitable for the specified use without further testing or modification.

Limiting values — Stress above one or more limiting values (as defined in the Absolute Maximum Ratings System of IEC 60134) may cause permanent damage to the device. Limiting values are stress ratings only and

operation of the device at these or any other conditions above those given in the Characteristics sections of this document is not implied. Exposure to limiting values for extended periods may affect device reliability.

Terms and conditions of sale — NXP Semiconductors products are sold subject to the general terms and conditions of commercial sale, as published at <http://www.nxp.com/profile/terms>, including those pertaining to warranty, intellectual property rights infringement and limitation of liability, unless explicitly otherwise agreed to in writing by NXP Semiconductors. In case of any inconsistency or conflict between information in this document and such terms and conditions, the latter will prevail.

No offer to sell or license — Nothing in this document may be interpreted or construed as an offer to sell products that is open for acceptance or the grant, conveyance or implication of any license under any copyrights, patents or other industrial or intellectual property rights.

Export control — This document as well as the item(s) described herein may be subject to export control regulations. Export might require a prior authorization from national authorities.

Quick reference data — The Quick reference data is an extract of the product data given in the Limiting values and Characteristics sections of this document, and as such is not complete, exhaustive or legally binding.

NXP Semiconductors

Customer notification

This data sheet was changed to reflect the new company name NXP Semiconductors, including new legal definitions and disclaimers. No changes were made to the technical content, except for package outline drawings which were updated to the latest version.

Contact information

For additional information please visit: <http://www.nxp.com>

For sales offices addresses send e-mail to: salesaddresses@nxp.com

© NXP B.V. 2009

All rights are reserved. Reproduction in whole or in part is prohibited without the prior written consent of the copyright owner.

The information presented in this document does not form part of any quotation or contract, is believed to be accurate and reliable and may be changed without notice. No liability will be accepted by the publisher for any consequence of its use. Publication thereof does not convey nor imply any license under patent- or other industrial or intellectual property rights.

Printed in The Netherlands

R75/06/pp8

Date of release: 2004 Feb 12

Document order number: 9397 750 12172

