

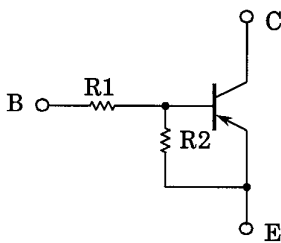
TOSHIBA Transistor Silicon PNP Epitaxial Type (PCT Process)

RN2101, RN2102, RN2103 RN2104, RN2105, RN2106

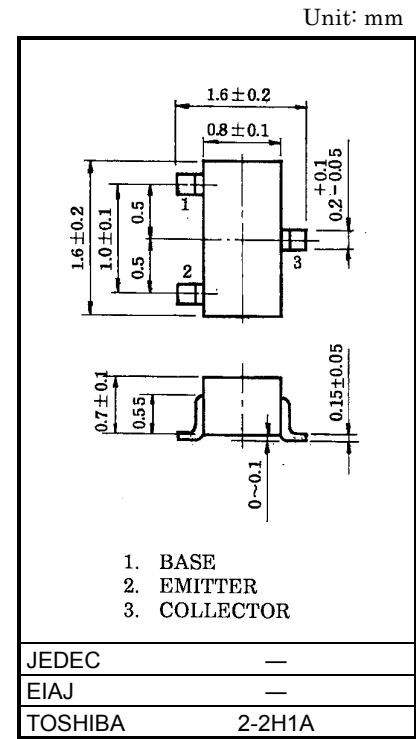
Switching, Inverter Circuit, Interface Circuit
And Driver Circuit Applications

- With built-in bias resistors
- Simplify circuit design
- Reduce a quantity of parts and manufacturing process
- Complementary to RN1101~RN1106

Equivalent Circuit and Bias Resister Values



Type No.	R1 (kΩ)	R2 (kΩ)
RN2101	4.7	4.7
RN2102	10	10
RN2103	22	22
RN2104	47	47
RN2105	2.2	47
RN2106	4.7	47



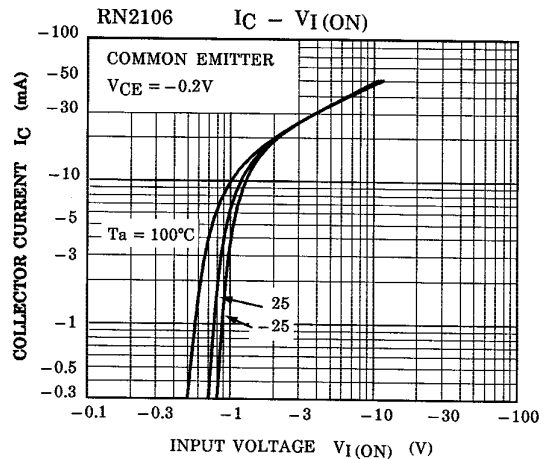
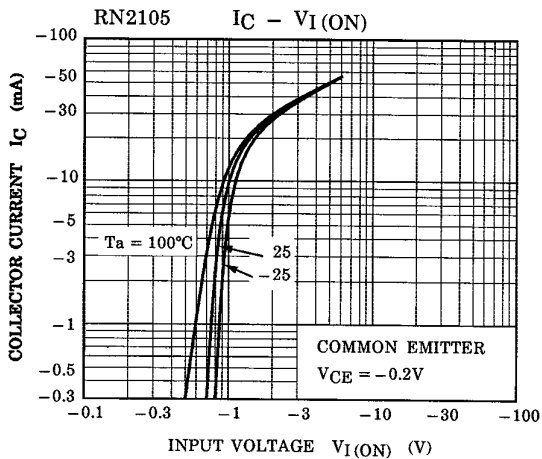
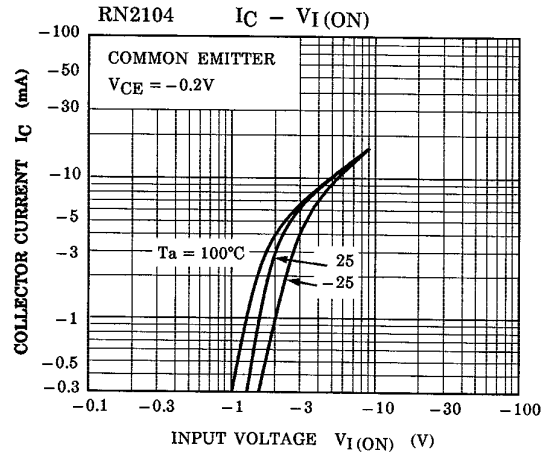
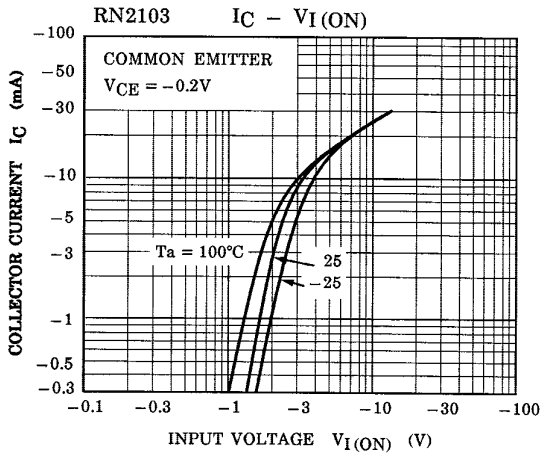
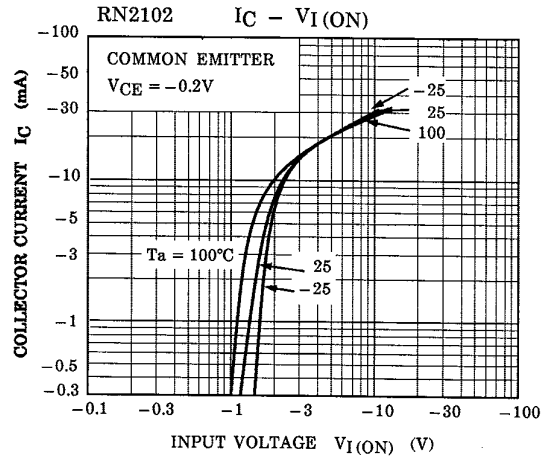
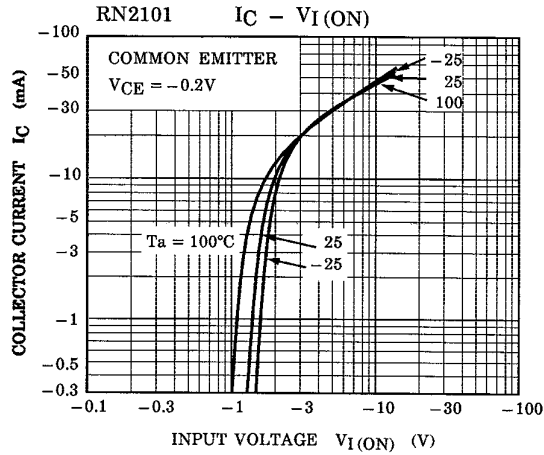
Weight: 2.4mg

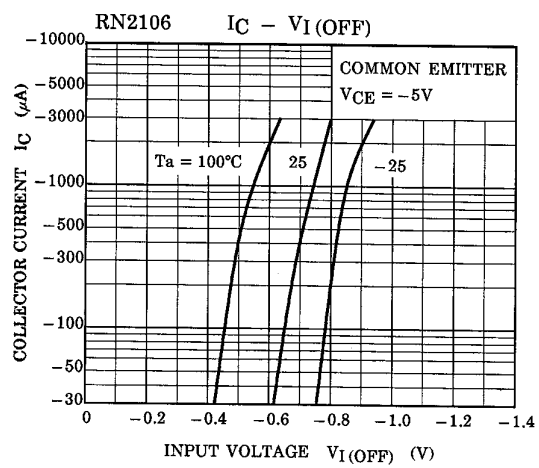
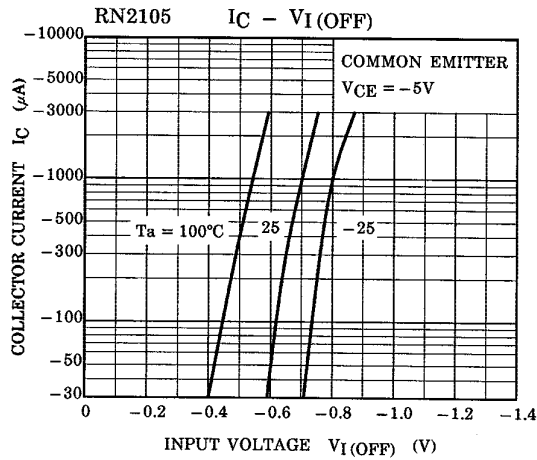
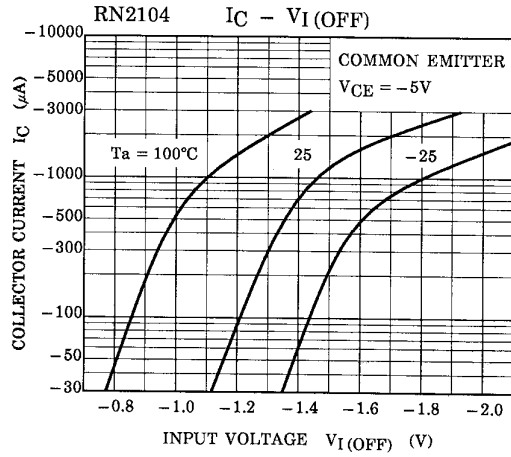
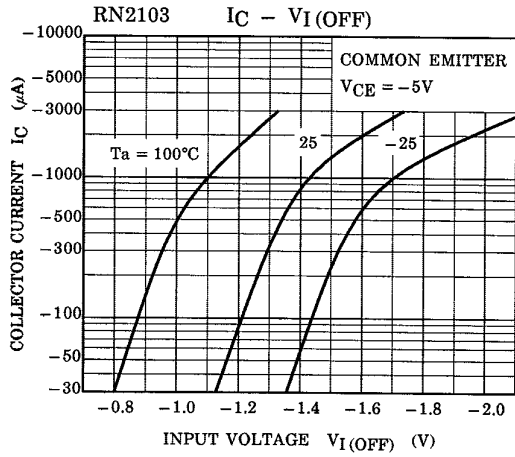
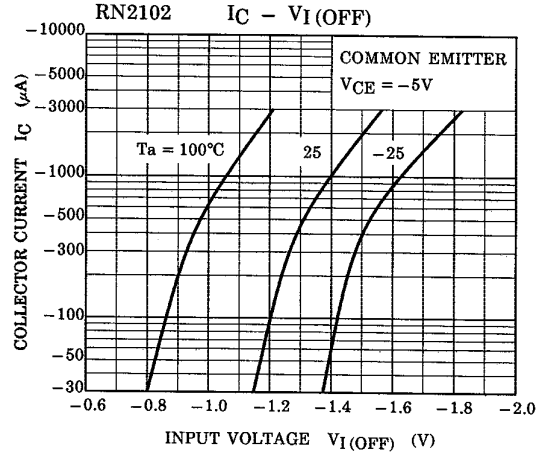
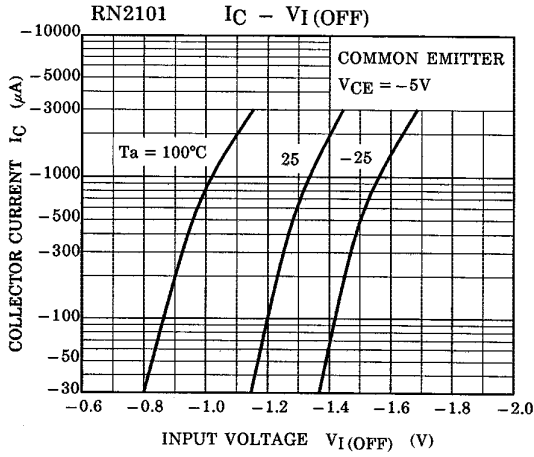
Maximum Ratings (Ta = 25°C)

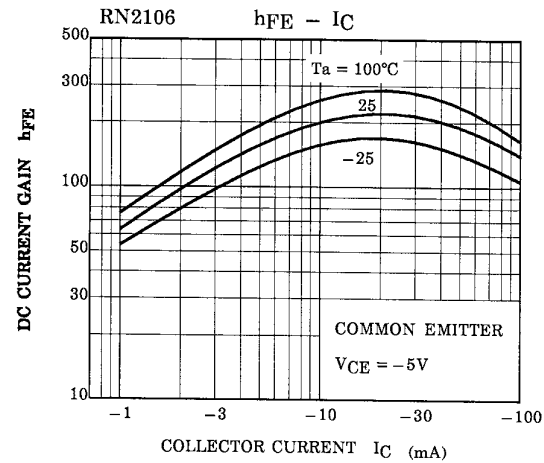
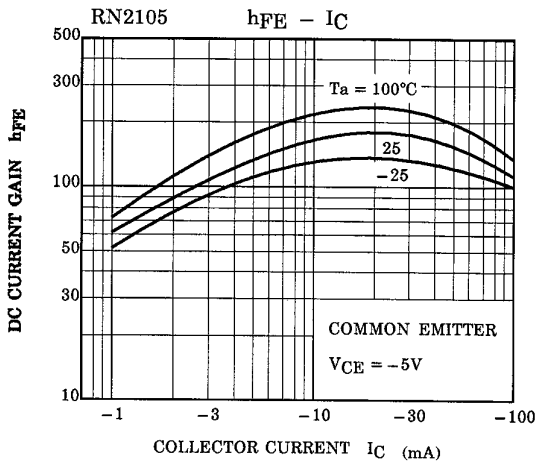
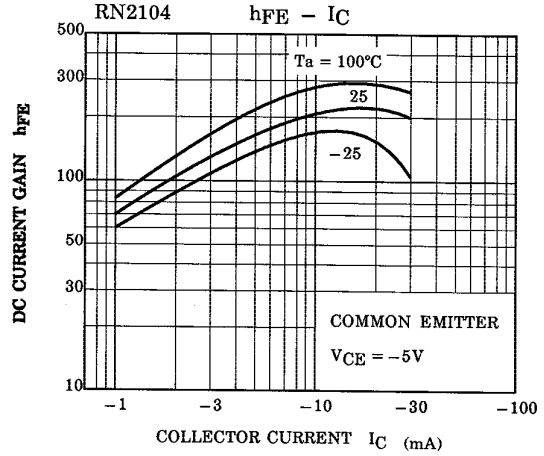
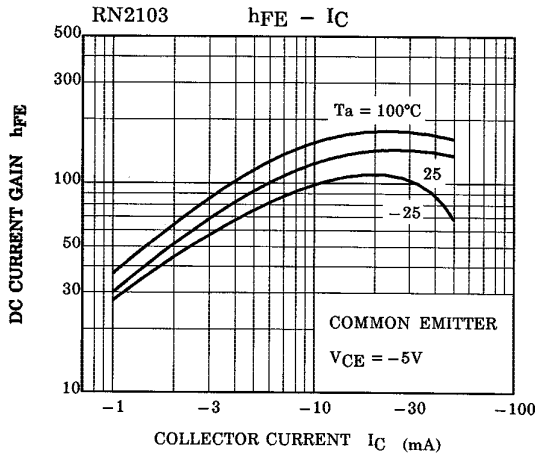
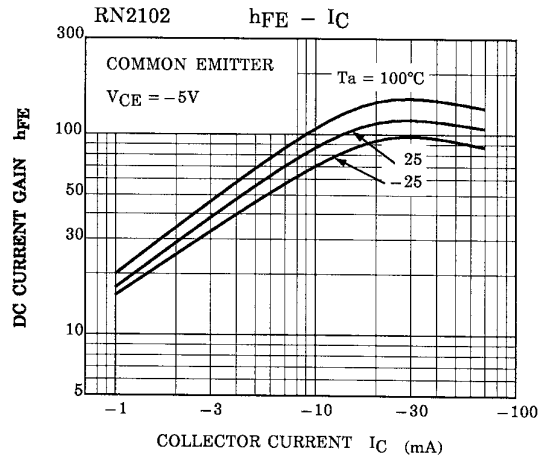
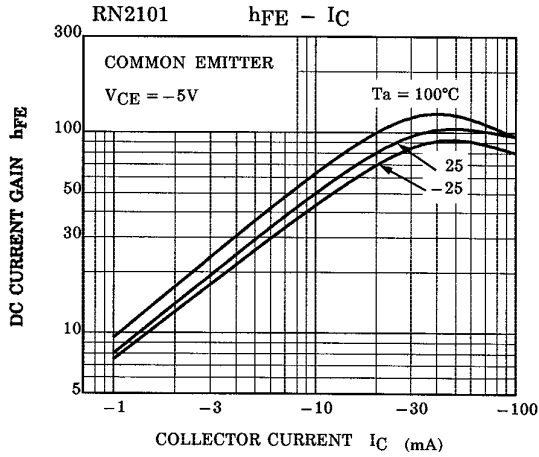
Characteristic		Symbol	Rating	Unit
Collector-base voltage	RN2101~2106	V _{CBO}	-50	V
Collector-emitter voltage		V _{CEO}	-50	V
Emitter-base voltage	RN2101~2104	V _{EBO}	-10	V
	RN2105, 2106		-5	
Collector current	RN2101~2106	I _C	-100	mA
Collector power dissipation		P _C	100	mW
Junction temperature		T _j	150	°C
Storage temperature range		T _{stg}	-55~150	°C

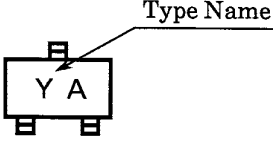
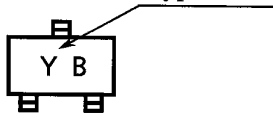

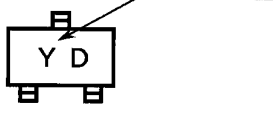
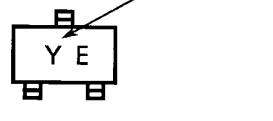
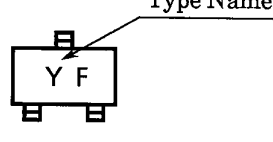
Electrical Characteristics (Ta = 25°C)

Characteristic		Symbol	Test Circuit	Test Condition	Min	Typ.	Max	Unit
Collector cut-off current	RN2101~2106	I_{CBO}	—	$V_{CB} = -50V, I_E = 0$	—	—	-100	nA
		I_{CEO}		$V_{CE} = -50V, I_B = 0$	—	—	-500	
Emitter cut-off current	RN2101	I_{EBO}	—	$V_{EB} = -10V, I_C = 0$	-0.82	—	-1.52	mA
	RN2102				-0.38	—	-0.71	
	RN2103				-0.17	—	-0.33	
	RN2104			-0.082	—	-0.15		
	RN2105			$V_{EB} = -5V, I_C = 0$	-0.078	—	-0.145	
	RN2106				-0.074	—	-0.138	
DC current gain	RN2101	h_{FE}	—	$V_{CE} = -5V, I_C = -10mA$	30	—	—	
	RN2102				50	—	—	
	RN2103				70	—	—	
	RN2104				80	—	—	
	RN2105				80	—	—	
	RN2106				80	—	—	
Collector-emitter saturation voltage	RN2101~2106	$V_{CE(sat)}$	—	$I_C = -5mA, I_B = -0.25mA$	—	-0.1	-0.3	V
Input voltage (ON)	RN2101	$V_{I(ON)}$	—	$V_{CE} = -0.2V, I_C = -5mA$	-1.1	—	-2.0	V
	RN2102				-1.2	—	-2.4	
	RN2103				-1.3	—	-3.0	
	RN2104				-1.5	—	-5.0	
	RN2105				-0.6	—	-1.1	
	RN2106				-0.7	—	-1.3	
Input voltage (OFF)	RN2101~2104	$V_{I(OFF)}$	—	$V_{CE} = -5V, I_C = -0.1mA$	-1.0	—	-1.5	V
	RN2105, 2106				-0.5	—	-0.8	
Transition frequency	RN2101~2106	f_T	—	$V_{CE} = -10V, I_C = -5mA$	—	200	—	MHz
Collector Output capacitance	RN2101~2106	C_{ob}	—	$V_{CB} = -10V, I_E = 0, f = 1MHz$	—	3	6	pF
Input resistor	RN2101	R1	—		3.29	4.7	6.11	kΩ
	RN2102				7	10	13	
	RN2103				15.4	22	28.6	
	RN2104				32.9	47	61.1	
	RN2105				1.54	2.2	2.86	
	RN2106				3.29	4.7	6.11	
Resistor ratio	RN2101~2104	R1/R2	—		0.9	1.0	1.1	
	RN2105				0.0421	0.0468	0.0515	
	RN2106				0.09	0.1	0.11	







Type Name	Marking
RN2001	
RN2102	
RN2103	
RN2104	
RN2105	
RN2106	

RESTRICTIONS ON PRODUCT USE

000707EAA

- TOSHIBA is continually working to improve the quality and reliability of its products. Nevertheless, semiconductor devices in general can malfunction or fail due to their inherent electrical sensitivity and vulnerability to physical stress. It is the responsibility of the buyer, when utilizing TOSHIBA products, to comply with the standards of safety in making a safe design for the entire system, and to avoid situations in which a malfunction or failure of such TOSHIBA products could cause loss of human life, bodily injury or damage to property.
In developing your designs, please ensure that TOSHIBA products are used within specified operating ranges as set forth in the most recent TOSHIBA products specifications. Also, please keep in mind the precautions and conditions set forth in the "Handling Guide for Semiconductor Devices," or "TOSHIBA Semiconductor Reliability Handbook" etc..
- The TOSHIBA products listed in this document are intended for usage in general electronics applications (computer, personal equipment, office equipment, measuring equipment, industrial robotics, domestic appliances, etc.). These TOSHIBA products are neither intended nor warranted for usage in equipment that requires extraordinarily high quality and/or reliability or a malfunction or failure of which may cause loss of human life or bodily injury ("Unintended Usage"). Unintended Usage include atomic energy control instruments, airplane or spaceship instruments, transportation instruments, traffic signal instruments, combustion control instruments, medical instruments, all types of safety devices, etc.. Unintended Usage of TOSHIBA products listed in this document shall be made at the customer's own risk.
- The information contained herein is presented only as a guide for the applications of our products. No responsibility is assumed by TOSHIBA CORPORATION for any infringements of intellectual property or other rights of the third parties which may result from its use. No license is granted by implication or otherwise under any intellectual property or other rights of TOSHIBA CORPORATION or others.
- The information contained herein is subject to change without notice.