

**PLEASE CHECK WWW.MOLEX.COM FOR LATEST PART INFORMATION**

**Part Number:** [0955406886](#)  
**Status:** **Active**  
**Overview:** [modular\\_plugs\\_jacks](#)  
**Description:** Modular Jack, Right Angle, Shielded, Low Profile, 8/8

**Documents:**

[3D Model](#) [Product Specification PS-95540-002 \(PDF\)](#)  
[Drawing \(PDF\)](#) [RoHS Certificate of Compliance \(PDF\)](#)  
[Application Specification \(PDF\)](#)

**Agency Certification**

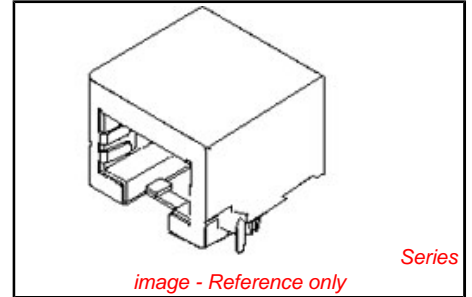
UL E107635

**General**

Product Family Modular Jacks/Plugs  
 Series [95540](#)  
 Component Type PCB Jack  
 Magnetic No  
 Overview [modular\\_plugs\\_jacks](#)  
 Performance Category 3  
 Power over Ethernet (PoE) N/A  
 Product Name RJ45

**Physical**

Boot Color N/A  
 Color - Resin Black  
 Durability (mating cycles max) 500  
 Flammability 94V-0  
 Inverted / Top Latch No  
 Lightpipes/LEDs None  
 Material - Metal Brass  
 Material - Plating Mating Gold  
 Material - Plating Termination Tin  
 Material - Resin High Temperature Thermoplastic  
 Orientation Right Angle (Side Entry)  
 PCB Locator Yes  
 PCB Retention Yes  
 PCB Thickness Recommended (in) 0.062 In  
 PCB Thickness Recommended (mm) 1.57 mm  
 Packaging Type Embossed Tape on Reel  
 Pitch - Mating Interface (in) 0.040 In  
 Pitch - Mating Interface (mm) 1.02 mm  
 Pitch - Term. Interface (in) 0.050 In  
 Pitch - Term. Interface (mm) 1.27 mm  
 Plating min: Mating (µin) 50.8  
 Plating min: Mating (µm) 1.27  
 Plating min: Termination (µin) 76  
 Plating min: Termination (µm) 1.9  
 Ports 1  
 Positions / Loaded Contacts 8/8  
 Surface Mount Compatible (SMC) Yes  
 Temperature Range - Operating -40°C to +80°C  
 Termination Interface: Style Surface Mount  
 Waterproof / Dustproof No  
 Wire/Cable Type N/A



**EU RoHS**

**ELV and RoHS Compliant**

**REACH SVHC**

Not Reviewed

**Halogen-Free**

**Status**

**Not Reviewed**

**Need more information on product environmental compliance?**

Email [productcompliance@molex.com](mailto:productcompliance@molex.com)  
 For a multiple part number RoHS Certificate of Compliance, [click here](#)

Please visit the [Contact Us](#) section for any non-product compliance questions.

**China RoHS**



**Search Parts in this Series**

[95540Series](#)

**Mates With**

FCC 68 Plugs [95043](#)

**Electrical**

Current - Maximum per Contact	1.5A
Grounding to PCB	Yes
Shielded	Yes
Voltage - Maximum	125V AC (RMS)

**Solder Process Data**

Duration at Max. Process Temperature (seconds)	45
Lead-free Process Capability	Reflow Capable (SMT only)
Max. Cycles at Max. Process Temperature	3
Process Temperature max. C	260

**Material Info****Reference - Drawing Numbers**

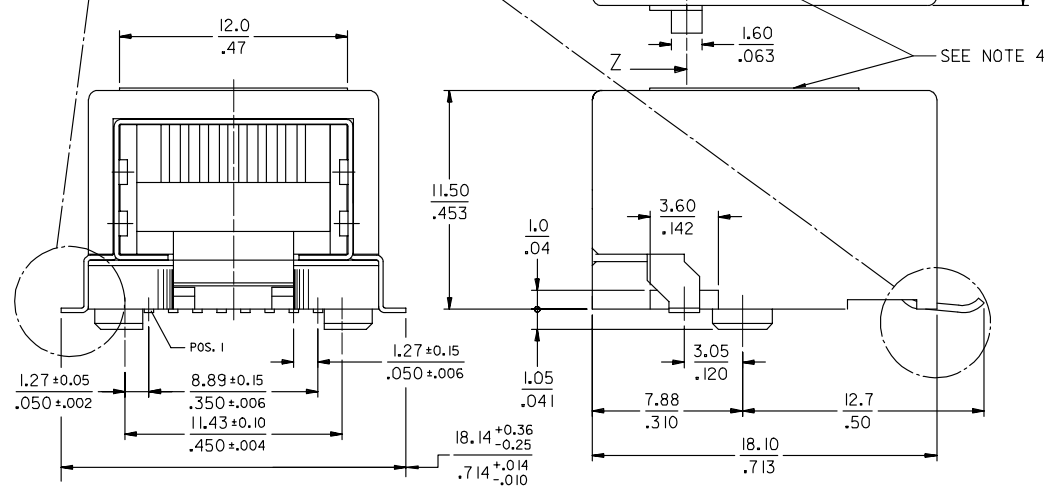
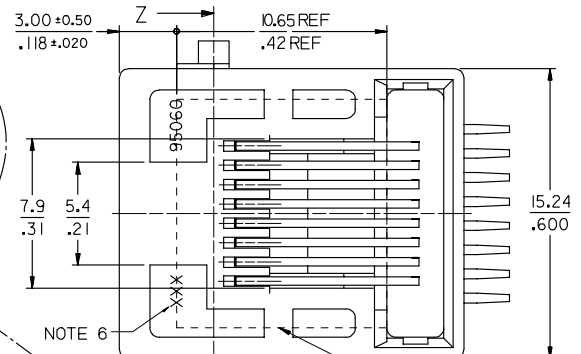
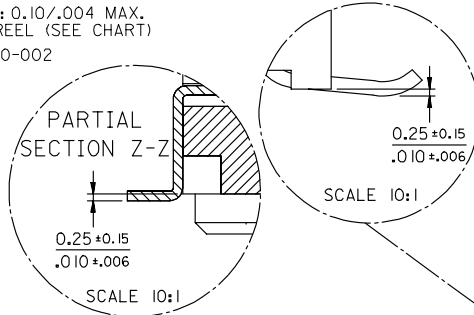
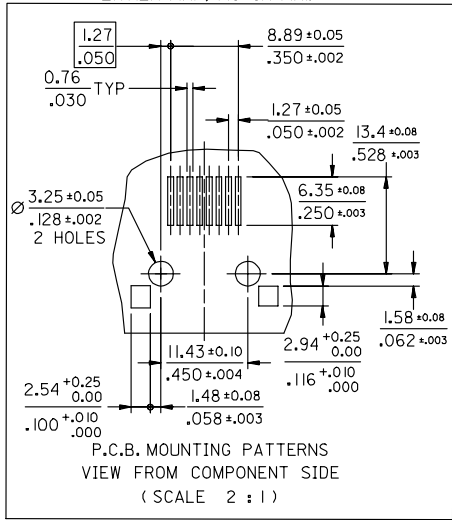
Packaging Specification	PK-85502
Product Specification	PS-95540-002
Sales Drawing	SD-95540-001

This document was generated on 06/07/2010

**PLEASE CHECK [WWW.MOLEX.COM](http://WWW.MOLEX.COM) FOR LATEST PART INFORMATION**

**NOTES:**

- 1- COPLANARITY OF LEADS AND SHIELD TABS: 0.10/.004 MAX.
- 2- PACKAGING SPECIFICATION : BLISTER ON REEL (SEE CHART)
- 3- PRODUCT SPECIFICATION : MOLEX PS-95540-002
- 4- KAPTON ADHESIVE FOIL: 0.125/.005 THICK.
- 5- JACK FOR MATING WITH F.C.C. 68 PLUGS 95043 MOLEX SERIES.
- 6- MANUFACTURING I.D. CAN BE EITHER MXF, MG OR MXI.



PACKAGING			
PART NUMBER	REEL SIZE	SPECIFICATION	PLATING
95540-6886	330/13	PK-85502 SHT 1	2
95540-6888	559/22	PK-85502 SHT 3	2

MATERIAL: HOUSING: LCP GLASS FILLED UL 94V0, COLOR: BLACK

TERMINAL: BRASS PLATED WITH:

PLATING 2: 0.00127/.000050 MIN GOLD IN CONTACT AREA, 0.00190/.000075 MIN TIN IN TAIL AREA, BOTH OVER 0.00127/.000050 MIN NICKEL OVERALL

PLATING 7: POST PLATE 0.00005/.000002 MIN GOLD OVER 0.00076/.000030 MIN PALLADIUM NICKEL IN CONTACT AREA, 0.00190/.000075 MIN TIN IN TAIL AREA, BOTH OVER 0.00127/.000050 MIN NICKEL OVERALL.

SHIELD: BRASS PLATED WITH 0.0020/.000078 MIN. TIN

CHANGED TERM MATL EC NO: E2007-1026 DRAWN BY: RINES CHKD: CHIKO APPR: EDMAHONY	QUALITY SYMBOLS ▽=0 ▽=0	GENERAL TOLERANCES (UNLESS SPECIFIED)	DIMENSION STYLE	SCALE	DESIGN UNITS	THIRD ANGLE PROJECTION
		4 PLACES ± --- ± --- 3 PLACES ± --- ± .002 2 PLACES ± 0.1 ± .006 1 PLACE ± 0.15 ± --- ANGULAR ± 1/2°	MM/IN	5:1	METRIC	☉
		DRAFT WHERE APPLICABLE MUST REMAIN WITHIN DIMENSIONS	DRAWN BY: KNOLLER DATE: 04/06/18 CHECKED BY: FCARABET DATE: 04/06/28 APPROVED BY: KNOLLER DATE: 04/06/29	TITLE	RIGHT ANGLE LOW PROFILE SHIELDED PC JACK (SURFACE MOUNT VERSION)	
			SEE CHART	MATERIAL NO.	DOCUMENT NO.	SHEET NO.
			SIZE: A3		SD-95540-001	2 OF 3
			THIS DRAWING CONTAINS INFORMATION THAT IS PROPRIETARY TO MOLEX INCORPORATED AND SHOULD NOT BE USED WITHOUT WRITTEN PERMISSION			