

PLEASE CHECK WWW.MOLEX.COM FOR LATEST PART INFORMATION

Part Number: [0887505318](#)
Status: **Active**
Overview: [serial_ata_products](#)
Description: 1.27mm (.050") Pitch Serial ATA Straight-to-Straight Signal Cable Assembly, 0.50m (1.64') Length, Red, Leadfree

Documents:

[Drawing \(PDF\)](#) [RoHS Certificate of Compliance \(PDF\)](#)

General

Product Family Cable Assemblies
 Series [88755](#)
 Comments Generation 2 (300 MB/s)
 Connector to Connector Serial ATA-to-Serial ATA
 Overview [serial_ata_products](#)
 Product Name Serial ATA

Physical

Cable Length 0.50m (1.64')
 Circuits (Loaded) 7
 Color - Resin Black, Natural
 Gender Female-Female
 Lock to Mating Part Yes
 Material - Metal Phosphor Bronze
 Material - Resin Low Density Polyethylene, Polyester
 Packaging Type Bag
 Pitch - Mating Interface (in) 0.050 In
 Pitch - Mating Interface (mm) 1.27 mm
 Single Ended No
 Termination Interface: Style Surface Mount
 Wire Insulation Diameter N/A
 Wire Size AWG 26
 Wire/Cable Type PVC

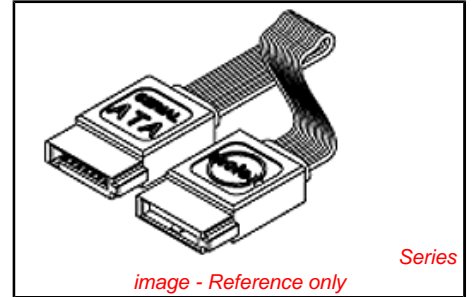
Electrical

Current - Maximum per Contact 1.5A
 Impedance 100 ohms
 Shielded Yes
 Voltage - Maximum 40V

Material Info

Reference - Drawing Numbers

Sales Drawing SD-88750-5318



EU RoHS

ELV and RoHS Compliant

REACH SVHC

Not Reviewed

Halogen-Free

Status

Not Reviewed

Need more information on product environmental compliance?

Email productcompliance@molex.com
 For a multiple part number RoHS Certificate of Compliance, [click here](#)

Please visit the [Contact Us](#) section for any non-product compliance questions.

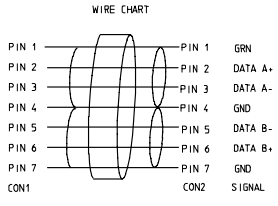
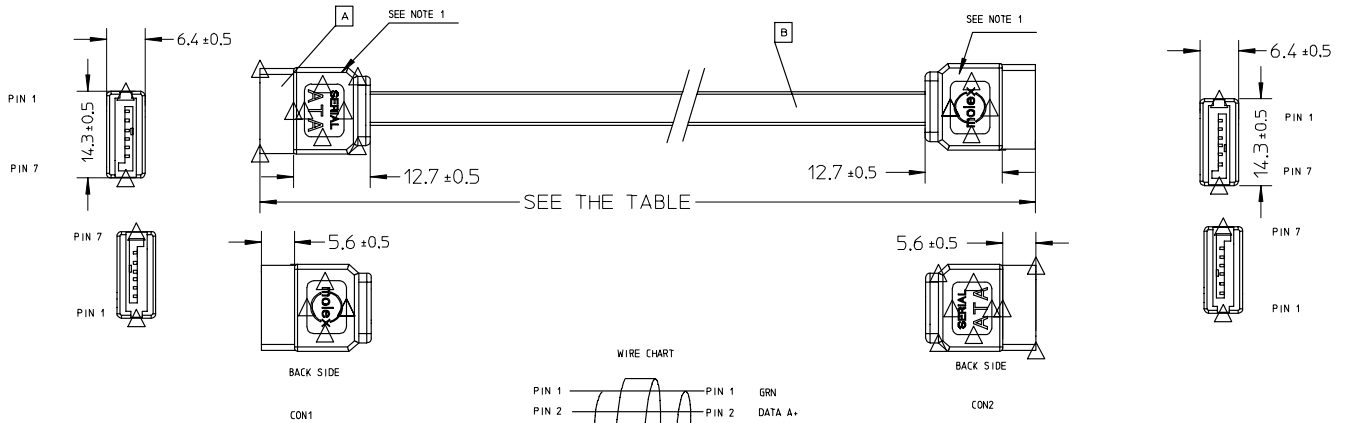
China RoHS



Search Parts in this Series
[88755Series](#)

PLEASE CHECK WWW.MOLEX.COM FOR LATEST PART INFORMATION

7 6 5 4 3 2 1



887505418	1000 +/- 20	887808052	SATA SIGNAL CABLE, 1.0m RED
887505410	1000 +/- 20	887808051	SATA SIGNAL CABLE, 1.0m GREY
887505400	1000 +/- 20	887808404	SATA SIGNAL CABLE, 1.0m RED
Molex P/N	Length (mm)	Row Cable P/N	Description

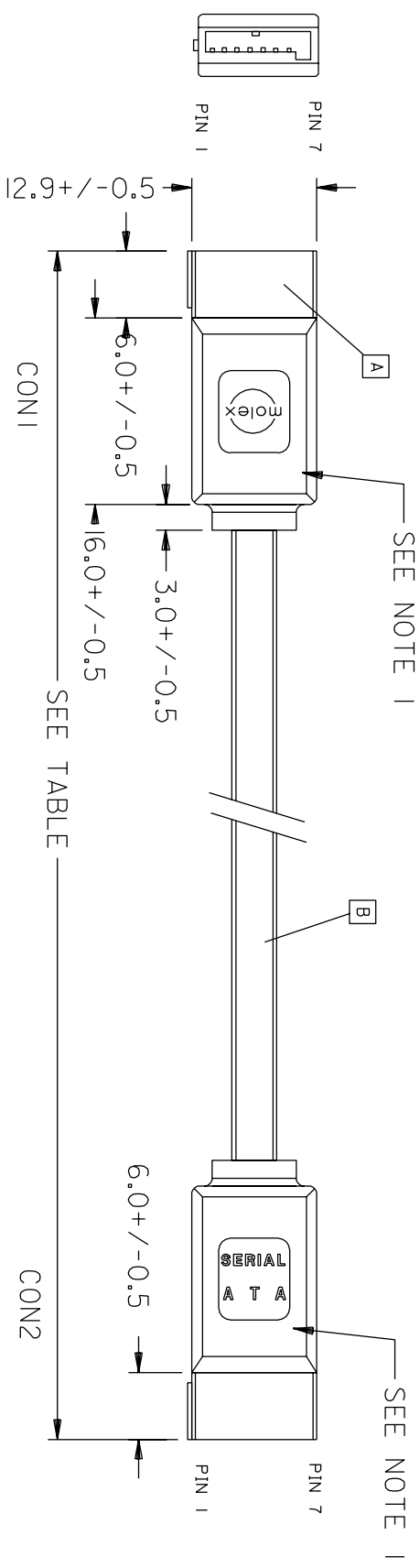
NOTE:
 1. OUTER MOLD WITH BLACK PVC RESIN 887800019.
 INNER MOLD WITH PE RESIN 887800008.
 2. ELECTRICAL PERFORMANCE:
 ALL TEST DUABILITY: 0.01 SEC.
 2.1. DIELECTRIC STRENGTH: 500V DC.
 2.2. INSULATION RESISTANCE: 100M OHMS MIN.
 2.3. CONDUCTIVE RESISTOR: 2 OHMS MAX.

ENTER DESCRIPTION EC NO: DG2005-0120 DRWN: JL1U13 CHKD: APPR: IKAN 2005/03/31 2005/03/31 2005/04/01	QUALITY SYMBOLS ▽=0 ▽=0	GENERAL TOLERANCES (UNLESS SPECIFIED)		DIMENSION STYLE MM ONLY		SCALE ---		DESIGN UNITS METRIC		THIRD ANGLE PROJECTION		
		4 PLACES ±--- ±---		DRAWN BY JL1U13		DATE 2005/03/24		TITLE S-ATA RED 1.0M CABLE ASS'Y				
		3 PLACES ±--- ±---		CHECKED BY TEDDY		DATE 2005/03/24						
		2 PLACES ±--- ±---		APPROVED BY BORON		DATE 2005/03/24		MATERIAL NO. 887505418				
1 PLACE ±--- ±---		ANGULAR ±---°		DOCUMENT NO. SD-88750-5418		SHEET NO. 1 OF 1						
DRAFT WHERE APPLICABLE MUST REMAIN WITHIN DIMENSIONS				THIS DRAWING CONTAINS INFORMATION THAT IS PROPRIETARY TO MOLEX INCORPORATED AND SHOULD NOT BE USED WITHOUT WRITTEN PERMISSION								

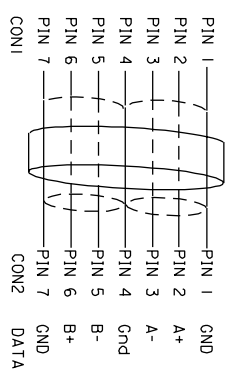
tb_frame_A4_P_ME_T
 Rev. D 2004/04/02

6 5 4 3 2 1

6 5 4 3 2 1



WIRE CHART



NOTE:
 PHYSICAL
 1. INNER MOLD WITH PE RESIN 887800008;
 OUTER MOLD WITH BLACK PVC RESIN 887800019.
 ELECTRICAL PERFORMANCE:
 2. DIELECTRIC STRENGTH:500V DC
 3. INSULATION RESISTANCE:100M OHMS
 4. CONDUCTIVE RESISTOR: 2 OHMS

887505418	1000+/-20	887808052	S-ATA SIGNAL CABLE, 1.0M RED;
887505318	500+/-10	887808052	S-ATA SIGNAL CABLE, 0.5M RED;
MAT. NO.	LENGTH(MM)	CABLE P/N	DESCRIPTION

A	S-ATA SIGNAL CABLE RED 887808052	SEE TABLE
B	CONNECTOR 675380001	2
ITEM	DESCRIPTION	QTY.

TABLE

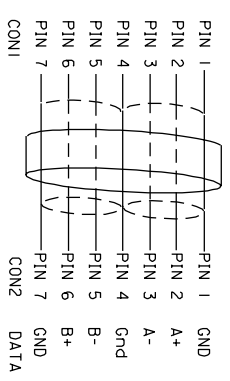
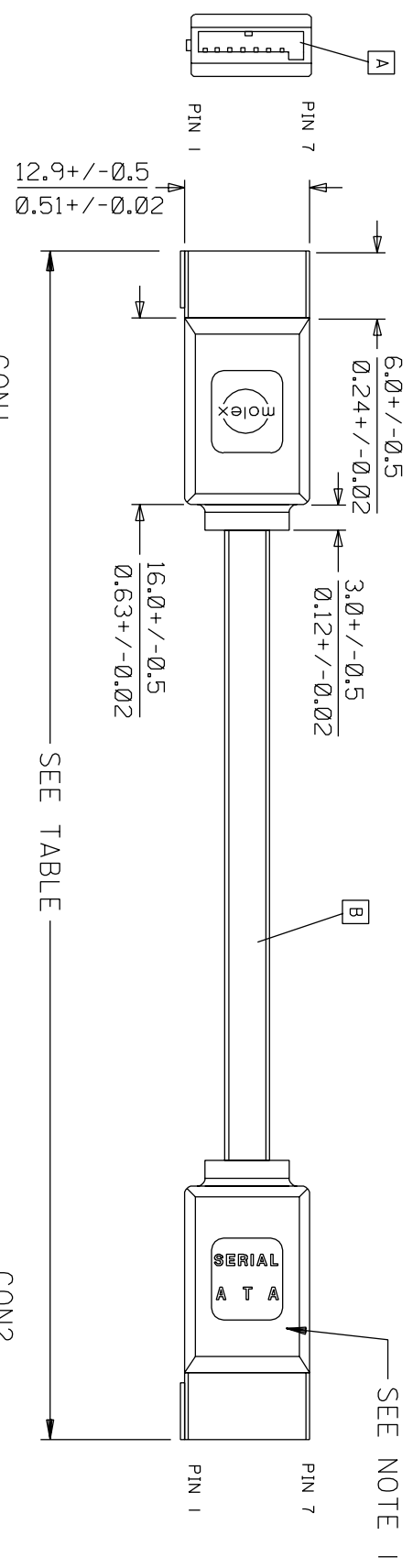
REV	DESCRIPTION	QUALITY SYMBOLS	GENERAL TOLERANCES: (UNLESS SPECIFIED)				SCALE	DESIGN UNITS	THIRD ANGLE PROJECTION	DIMENSIONS:	SHT	REV
			MM	INCH	MM	INCH						
A	EC NO. DRWN: BENTZ 03/01/08 CHK: APPR:	MAJOR = CRITICAL = ▽ =	±0.	±.	±.	±.	±.	±.	±.	±.		
			ANGULAR: ± °									
			DRAWN BY & DATE BENTZ 03/01/08									
			CHECKED BY & DATE Tony Wong 03/01/08									
			APPROVED BY & DATE Tony Wong 03/01/08									
			CAD FILENAME S88755AD.S001									
			MATERIAL NO. SEE TABLE									
			DRAWING NO. SD-88755-004									
			SHEET NO. 1 OF 1									
			SHEET NO. A4									

TITLE:
 S-ATA SIGNAL CABLE ASSY

MOLEX INCORPORATED

THIS DRAWING CONTAINS INFORMATION THAT IS PROPRIETARY TO MOLEX INCORPORATED AND SHOULD NOT BE USED WITHOUT WRITTEN PERMISSION.

6 5 4 3 2 1



NOTE:
 PHYSICAL
 1. INNER MOLD WITH PE RESIN 887800008;
 OUTER MOLD WITH BLACK PVC RESIN 887800019.
 ELECTRICAL PERFORMANCE:
 2. DIELECTRONIC STRENGTH: 500V DC
 3. INSULATION RESISTANCE: 100M OHMS Min.
 4. CONDUCTIVE RESISTOR: 2 OHMS MAX.

MOLEX NO.	LENGTH(MM)	LENGTH(INCH)	CABLE P/N	DESCRIPTION
887505418	1000+/-20	40+/-0.8	887808052	S-ATA SIGNAL CABLE, 1.0M RED;
887505318	500+/-10	20+/-0.4	887808052	S-ATA SIGNAL CABLE, 0.5M RED;

ITEM	DESCRIPTION	QUANTITY
B	S-ATA SIGNAL CABLE RED 887808052	SEE TABLE
A	CONNECTOR 675380001	2 PCS

REV	DESCRIPTION	QUALITY SYMBOLS	GENERAL TOLERANCES: (UNLESS SPECIFIED)	SCALE	DESIGN UNITS	TITLE:	MATERIAL NO.	DRAWING NO.	SHEET NO.
B	EC NO. DRWN: Louis 04/03/17 CH'K: APPR:	MAJOR = 0 CRITICAL = 0	MM ±. INCH ±. ANGULAR: ± °	03/01/08	mm <input checked="" type="checkbox"/> INCH <input type="checkbox"/>	S-ATA STRAIGHT TO STRAIGHT SIGNAL CBL RED, 0.5M, 1.0M	MOLEX INCORPORATED	SD-88755-004	1 OF 1
A	EC NO. DRWN: BENTZ 03/01/08 CH'K: APPR:			03/01/08	mm <input type="checkbox"/> INCH <input checked="" type="checkbox"/>				

THIS DRAWING CONTAINS INFORMATION THAT IS PROPRIETARY TO MOLEX INCORPORATED AND SHOULD NOT BE USED WITHOUT WRITTEN PERMISSION.