

PLEASE CHECK WWW.MOLEX.COM FOR LATEST PART INFORMATION

Part Number: **0877580816**
Status: **Active**
Overview: milligrd
Description: 2.00mm (.079") Pitch Milli-Grid™ Header, Through Hole, Vertical, 8 Circuits, 0.38µm (15µ") Gold (Au) Selective Plating, Pocket Tray Packaging, Lead-free

Documents:

3D Model [Product Specification PS-87761-100 \(PDF\)](#)
Drawing (PDF) [RoHS Certificate of Compliance \(PDF\)](#)

Agency Certification

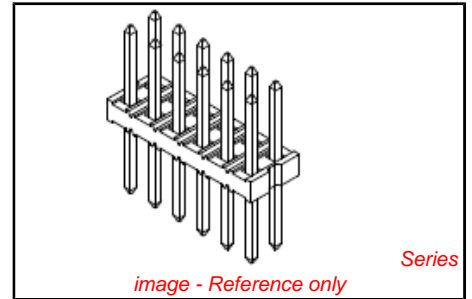
UL E29179

General

Product Family PCB Headers
Series 87758
Application Board-to-Board
Overview milligrd
Product Name Milli-Grid™

Physical

Breakaway Yes
Circuits (Loaded) 8
Circuits (maximum) 8
Color - Resin Black
First Mate / Last Break No
Flammability 94V-0
Glow-Wire Compliant No
Guide to Mating Part No
Keying to Mating Part None
Lock to Mating Part None
Mated Height (in) 0.157 In
Mated Height (mm) 4.00 mm
Material - Metal Phosphor Bronze
Material - Plating Mating Gold
Material - Plating Termination Tin
Material - Resin Nylon
Number of Rows 2
Orientation Vertical
PC Tail Length (in) 0.102 In
PC Tail Length (mm) 2.60 mm
PCB Locator No
PCB Retention None
PCB Thickness Recommended (in) 0.063 In
PCB Thickness Recommended (mm) 1.60 mm
Packaging Type Tray
Pitch - Mating Interface (in) 0.079 In
Pitch - Mating Interface (mm) 2.00 mm
Pitch - Term. Interface (in) 0.079 In
Pitch - Term. Interface (mm) 2.00 mm
Plating min: Mating (µin) 15
Plating min: Mating (µm) 0.38
Polarized to Mating Part No
Polarized to PCB No
Shrouded No
Stackable No



EU RoHS

ELV and RoHS Compliant
REACH SVHC Contains SVHC: No
Halogen-Free Status
Not Halogen-Free

China RoHS



Need more information on product environmental compliance?

Email productcompliance@molex.com
For a multiple part number RoHS Certificate of Compliance, [click here](#)

Please visit the [Contact Us](#) section for any non-product compliance questions.

Search Parts in this Series
87758Series

Mates With

79107 Milli-Grid™ Receptacle, Vertical, Through Hole. 79108 Milli-Grid™ Flex-to-Board, Vertical Receptacle. Milli-Grid™ Receptacle, Surface Mount. 79109, 87381

Surface Mount Compatible (SMC)	Yes
Temperature Range - Operating	-55°C to +105°C
Termination Interface: Style	Through Hole

Electrical

Current - Maximum per Contact	2A
Voltage - Maximum	125V

Solder Process Data

Duration at Max. Process Temperature (seconds)	3
Lead-free Process Capability	Wave Capable (TH only)
Max. Cycles at Max. Process Temperature	1
Process Temperature max. C	250

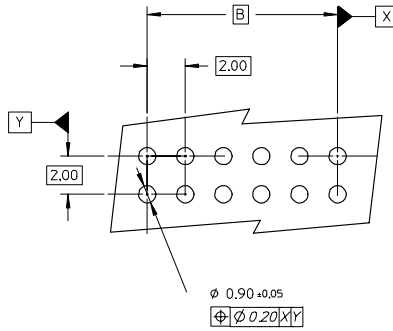
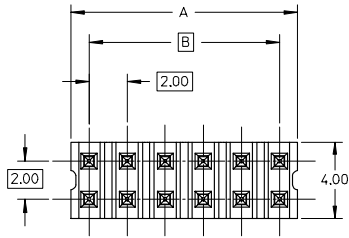
Material Info**Reference - Drawing Numbers**

Product Specification	PS-87761-100
Sales Drawing	SD-87758-107

This document was generated on 05/25/2010

PLEASE CHECK WWW.MOLEX.COM FOR LATEST PART INFORMATION

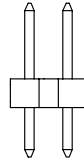
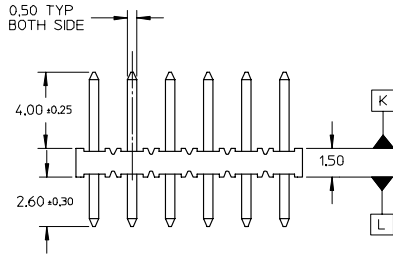
10 9 8 7 6 5 4 3 2 1



LEGEND
 87758- * * * *
 CKT SIZE (SEE SHT 2 TABLE) PLATING (SEE NOTE 2)

NOTES:

1. MATERIAL:
 HOUSING: 30% G.F. NYLON 46, 94V-0, COLOR: BLACK
 PIN: 0.50mm SQ. PHOSPHOR BRONZE 510
2. PLATING:
 **16 - 0.38um MIN GOLD IN CONTACT AREA, TIN IN SOLDER AREA, BOTH OVER NICKEL OVERALL.
 **17 - 0.76um MIN GOLD IN CONTACT AREA, TIN IN SOLDER AREA, BOTH OVER NICKEL OVERALL.
 **18 - 2.54um MIN TIN OVER NICKEL OVERALL.
3. 12 CKT USED FOR ILLUSTRATION ONLY
4. PACKED IN POCKET TRAY
5. PIN PUSHOUT FORCE: 1KG MIN IN EITHER DIRECTION
6. CKT 4 AND 6 IS CUT FROM CKT 8 AND 12 RESPECTIVELY. CKT 2 ARE CUT FROM ANY LARGER CKT SIZE. ROUGH EDGES ARE EXPECTED ALONG THE CUTTING EDGES.
7. PRODUCT SPEC PS-87761-100 APPLIES.
8. RECOMMENDED PCB THICKNESS IS 1.60±0.10



$\phi 0.71 \pm 0.07$
 $\phi \phi 0.30 \text{ @ } K$



VIEW P

$\phi 0.71 \pm 0.07$
 $\phi \phi 0.30 \text{ @ } L$



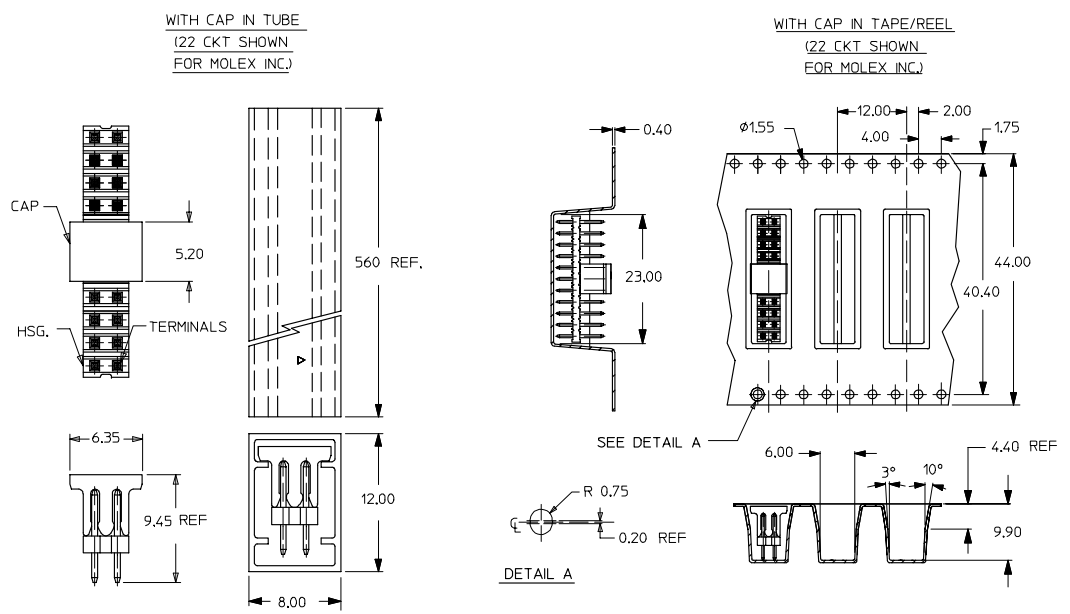
VIEW Q

IEC NO. S2005-0715 2005/05/16 DRAWN BY KSEE 2005/05/18 CHECKED BY KCLING 2005/05/19 APPROVED BY SKTOH 2004/01/05 A2	QUALITY SYMBOLS ▽=0 ▽=0	GENERAL TOLERANCES (UNLESS SPECIFIED)		DIMENSION STYLE MM ONLY		SCALE NTS	DESIGN UNITS METRIC	THIRD ANGLE PROJECTION	
		4 PLACES ± --- ± --- 3 PLACES ± --- ± --- 2 PLACES ± 0.20 ± --- 1 PLACE ± --- ± --- ANGULAR ± 3 °	mm INCH	DRAWN BY KSEE	DATE 2003/10/30	TITLE SALES DRAWING 2MM DUAL ROW SINGLE WAFER, VERTICAL T/H HDR			
DRAFT WHERE APPLICABLE MUST REMAIN WITHIN DIMENSIONS		MATERIAL NO. SEE TABLE		APPROVED BY SKTOH		DATE 2004/01/05	MOLEX INCORPORATED DOCUMENT NO. SD-87758-107		
SIZE A3				THIS DRAWING CONTAINS INFORMATION THAT IS PROPRIETARY TO MOLEX INCORPORATED AND SHOULD NOT BE USED WITHOUT WRITTEN PERMISSION					SHEET NO. 1 OF 2

9 8 7 6 5 4 3 2 1

PART NUMBER	CKT SIZE	A	B
87758-02**	2	NA	NA
87758-04**	4	NA	2.00
87758-06**	6	NA	4.00
87758-08**	8	7.90	6.00
87758-10**	10	9.90	8.00
87758-12**	12	11.90	10.00
87758-14**	14	13.90	12.00
87758-16**	16	15.90	14.00
87758-18**	18	17.90	16.00
87758-20**	20	19.90	18.00
87758-22**	22	21.90	20.00
87758-24**	24	23.90	22.00
87758-26**	26	25.90	24.00
87758-28**	28	27.90	26.00
87758-30**	30	29.90	28.00
87758-32**	32	31.90	30.00
87758-34**	34	33.90	32.00
87758-36**	36	35.90	34.00
87758-38**	38	37.90	36.00
87758-40**	40	39.90	38.00
87758-42**	42	41.90	40.00
87758-44**	44	43.90	42.00
87758-46**	46	45.90	44.00
87758-48**	48	47.90	46.00
87758-50**	50	49.90	48.00

CKT SIZE	PART NO. WITH CAP IN TUBE	PART NO. WITH CAP IN TAPE/REEL	PLATING TYPE
6	87758-0814	87758-0815	**16
22	87758-5126	87758-5111	MOLEX INC.



IEC NO. S2005-0715 2005/05/16 DRAWN: CH0 2005/05/18 CHECKED: PLM 2005/05/19 APPROV: SCLM	QUALITY SYMBOLS ▽=0 ▽=0	GENERAL TOLERANCES (UNLESS SPECIFIED)		DIMENSION STYLE MM ONLY		SCALE NTS	DESIGN UNITS METRIC	THIRD ANGLE PROJECTION
		4 PLACES ± --- ± --- 3 PLACES ± --- ± --- 2 PLACES ± 0.20 ± --- 1 PLACE ± --- ± --- ANGULAR ± 3 °	mm INCH	DRAWN BY KSEE	DATE 2003/10/30	CHECKED BY KCLING	DATE 2004/01/05	SALES DRAWING 2MM DUAL ROW SINGLE WAFER, VERTICAL T/H HDR
A2	DRAFT WHERE APPLICABLE MUST REMAIN WITHIN DIMENSIONS	MATERIAL NO. SEE TABLE	APPROVED BY SKTOH	DATE 2004/01/05	MOLEX INCORPORATED	DOCUMENT NO. SD-87758-107	SHEET NO. 2 OF 2	

fb_frame_A3_P_AM_T
Rev. D 2004/06/28