

PLEASE CHECK WWW.MOLEX.COM FOR LATEST PART INFORMATION

Part Number: [0855135004](#)
Status: **Active**
Overview: [modular_plugs_jacks](#)
Description: SMT Jack for Mating with F.C.C 68 Plugs, 4 Circuits

Documents:

[3D Model](#) [Product Specification PS-85513-002 \(PDF\)](#)
[Drawing \(PDF\)](#) [RoHS Certificate of Compliance \(PDF\)](#)
[Application Specification \(PDF\)](#)

Agency Certification

UL E107635

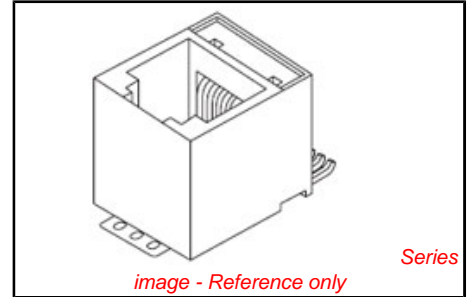
General

Product Family Modular Jacks/Plugs
 Series 85513
 Comments Reel size:15"
 Component Type PCB Jack
 Magnetic No
 Overview [modular_plugs_jacks](#)
 Performance Category 3
 Power over Ethernet (PoE) N/A
 Product Name RJ11

Physical

Boot Color N/A
 Color - Resin Black
 Durability (mating cycles max) 500
 Flammability 94V-0
 Inverted / Top Latch No
 Lightpipes/LEDs None
 Material - Metal Brass
 Material - Plating Mating Gold
 Material - Plating Termination Tin
 Material - Resin High Temperature Thermoplastic
 Orientation Vertical (Top Entry)
 PCB Locator No
 PCB Retention Yes
 Packaging Type Embossed Tape on Reel
 Pitch - Mating Interface (in) 0.040 In
 Pitch - Mating Interface (mm) 1.02 mm
 Pitch - Term. Interface (in) 0.050 In
 Pitch - Term. Interface (mm) 1.27 mm
 Plating min: Mating (µin) 50.8
 Plating min: Mating (µm) 1.27
 Plating min: Termination (µin) 76
 Plating min: Termination (µm) 1.9
 Ports 1
 Positions / Loaded Contacts 4/4
 Surface Mount Compatible (SMC) Yes
 Temperature Range - Operating -40°C to +80°C
 Termination Interface: Style Surface Mount
 Waterproof / Dustproof No
 Wire/Cable Type N/A

Electrical



<p>EU RoHS ELV and RoHS Compliant REACH SVHC Not Reviewed Halogen-Free Status Not Reviewed</p>	<p>China RoHS</p>
---	--------------------------

Need more information on product environmental compliance?
 Email productcompliance@molex.com
 For a multiple part number RoHS Certificate of Compliance, [click here](#)
 Please visit the [Contact Us](#) section for any non-product compliance questions.

Search Parts in this Series
[85513Series](#)

Mates With
[90075 series](#)

Current - Maximum per Contact	1.5A
Shielded	No
Voltage - Maximum	125V AC (RMS)

Solder Process Data

Duration at Max. Process Temperature (seconds)	45
Lead-free Process Capability	Reflow Capable (SMT only)
Max. Cycles at Max. Process Temperature	3
Process Temperature max. C	260

Material Info**Reference - Drawing Numbers**

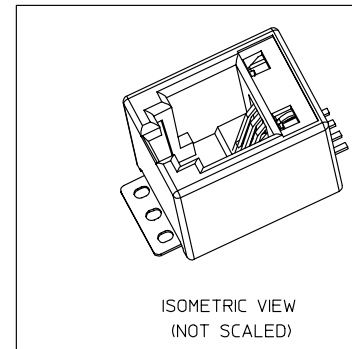
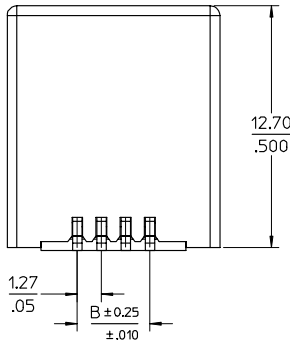
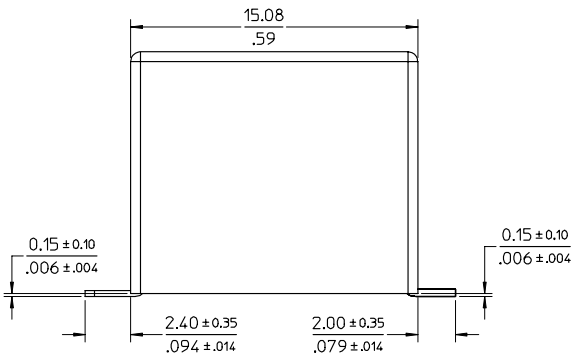
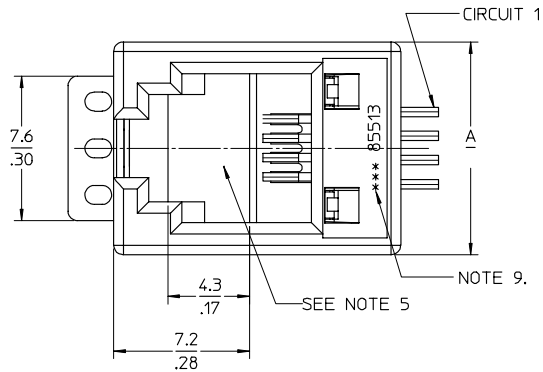
Packaging Specification	PK-85513-001
Product Specification	PS-85513-002
Sales Drawing	SD-85513-010

This document was generated on 06/08/2010

PLEASE CHECK WWW.MOLEX.COM FOR LATEST PART INFORMATION

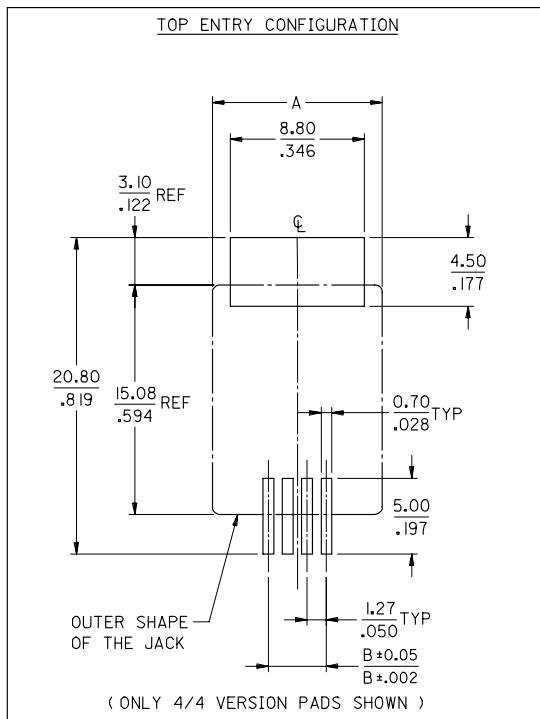
NOTES:

- 1- MATERIAL:
 - HOUSING:LCP GLASS FILLED UL 94-V0, COLOUR BLACK,
 - TERMINAL: BRASS PLATED WITH: 0.00127/.000050 MIN GOLD IN CONTACT AREA, 0.00190/.000075 MIN PURE TIN IN TAIL AREA, BOTH OVER 0.00127/.000050 MIN NICKEL OVERALL.
- 2- JACK FOR MATING WITH F.C.C.68 PLUGS (MOLEX 90075 SERIES).
- 3- PRODUCT SPECIFICATION: PS-85513-002.
- 4- PACKAGING SPECIFICATION (SEE CHART SHEET2):
 - PK-85513-001 SHEET 3 (BLISTER ON REEL 13')
 - PK-85513-001 SHEET 1 (BLISTER ON REEL 15')
 - PK-85513-001 SHEET 2 (BLISTER ON REEL 22')
- 5- FLAT SURFACE ON BOTH SIDES FOR PICK AND PLACE PURPOSE
- 6- COPLANARITY OF LEADS AND TABS: 0.10/.004 MAX
- 7- SEE RECOMMENDED PCB LAYOUT ON SHEET 2
- 8- FOR DRAWING PURPOSE, ONLY 4/4 VERSION SHOWN.
- 9- MANUFACTURING I.D CAN BE EITHER MXF,MG OR MXI.
- 10- APPLICATION SPEC AS-85513-001



MODIFIED MATERIAL. EC NO: E2007-0716 DRW: DBYRNES 2007/02/15 CHKD: CHIKO 2007/02/15 APPR: EOMAHONY 2007/02/15	QUALITY SYMBOLS	GENERAL TOLERANCES (UNLESS SPECIFIED) 4 PLACES ± --- ± --- 3 PLACES ± --- ± .006 2 PLACES ± 0.15 ± .010 1 PLACE ± 0.25 ± --- ANGULAR ± 2 °	DIMENSION STYLE	SCALE	DESIGN UNITS	THIRD ANGLE PROJECTION
	▼=0 ▽=0		MM/IN	5:1	METRIC	DRAWN BY DBYRNES 2006/08/17 CHECKED BY EOMAHONY 2006/08/17 APPROVED BY EOMAHONY 2006/08/17
	DRAFT WHERE APPLICABLE MUST REMAIN WITHIN DIMENSIONS		SEE CHART	TITLE LOW PROFILE TOP ENTRY TRUE SMT JACK WITH P&P SURFACE(SHORT VERSION) MOLEX MOLEX INCORPORATED		
	MATERIAL NO. SD-85513-010 DOCUMENT NO. SD-85513-010 SHEET NO. 1 OF 2					

RECOMMENDED PCB LAYOUTS
(SEE FROM COMPONENT SIDE)



PART. NO.	HOUSING SIZE	LOADED CKTS	TOOLED	A	B	PACKAGING	PACKAGING SPEC.
85513-5013			YES			BLISTER ON REEL 13*	PK-85513-001 SHEET 3
85513-5001	8	8	YES	15.24 .600	8.89 .350	BLISTER ON REEL 15*	PK-85513-001 SHEET 1
85513-5009			YES			BLISTER ON REEL 22*	PK-85513-001 SHEET 2
85513-5014			YES			BLISTER ON REEL 13*	PK-85513-001 SHEET 3
85513-5002	6	6	YES	13.21 .520	6.35 .250	BLISTER ON REEL 15*	PK-85513-001 SHEET 1
85513-5010			YES			BLISTER ON REEL 22*	PK-85513-001 SHEET 2
85513-5015			YES			BLISTER ON REEL 13*	PK-85513-001 SHEET 3
85513-5003	6	4	YES	13.21 .520	3.81 .150	BLISTER ON REEL 15*	PK-85513-001 SHEET 1
85513-5011			YES			BLISTER ON REEL 22*	PK-85513-001 SHEET 2
85513-5016			YES			BLISTER ON REEL 13*	PK-85513-001 SHEET 3
85513-5004	4	4	YES	11.18 .440	3.81 .150	BLISTER ON REEL 15*	PK-85513-001 SHEET 1
85513-5012			YES			BLISTER ON REEL 22*	PK-85513-001 SHEET 2

SEE SHEET 1 EC NO: E2007-0716 DRAWN BY: DBYRNES CHKD: CHIKO APPR: EOMAHONY	DESCRIPTION 2007/02/15 2007/02/15 2007/02/15	QUALITY SYMBOLS	GENERAL TOLERANCES (UNLESS SPECIFIED)	DIMENSION STYLE	SCALE	DESIGN UNITS	THIRD ANGLE PROJECTION																
		$\nabla=0$ $\nabla=0$	<table border="1"> <tr> <th></th> <th>MM</th> <th>INCH</th> </tr> <tr> <td>4 PLACES</td> <td>± .005</td> <td>± .002</td> </tr> <tr> <td>3 PLACES</td> <td>± .005</td> <td>± .006</td> </tr> <tr> <td>2 PLACES</td> <td>± 0.15</td> <td>± .010</td> </tr> <tr> <td>1 PLACE</td> <td>± 0.25</td> <td>± .010</td> </tr> <tr> <td>ANGULAR</td> <td colspan="2">± 2°</td> </tr> </table>		MM	INCH	4 PLACES	± .005	± .002	3 PLACES	± .005	± .006	2 PLACES	± 0.15	± .010	1 PLACE	± 0.25	± .010	ANGULAR	± 2°		MM/IN	1:1
	MM	INCH																					
4 PLACES	± .005	± .002																					
3 PLACES	± .005	± .006																					
2 PLACES	± 0.15	± .010																					
1 PLACE	± 0.25	± .010																					
ANGULAR	± 2°																						
DRAFT WHERE APPLICABLE MUST REMAIN WITHIN DIMENSIONS		SEE CHART		MATERIAL NO. SD-85513-010		TITLE: LOW PROFILE TOP ENTRY TRUE SMT JACK WITH P&P SURFACE(SHORT VERSION)																	
				MOLEX INCORPORATED		SHEET NO. 2 OF 2																	
				THIS DRAWING CONTAINS INFORMATION THAT IS PROPRIETARY TO MOLEX INCORPORATED AND SHOULD NOT BE USED WITHOUT WRITTEN PERMISSION																			