

PLEASE CHECK WWW.MOLEX.COM FOR LATEST PART INFORMATION

Part Number: [0850010074](#)
Status: **Active**
Overview: IEC 603-2 / DIN 41612
Description: 2.54mm (.100") Pitch DIN 41612 Header, Style B/2, Right Angle, Through Hole, 0.6µm (24µ") Selective Gold (Au), Fixing Clip available ,32 Circuits

Documents:

[3D Model](#) [Product Specification PS-85003-0001 \(PDF\)](#)
[Drawing \(PDF\)](#) [RoHS Certificate of Compliance \(PDF\)](#)

Agency Certification

CSA LR19980
 UL E29179

General

Product Family Backplane Connectors
 Series 85001
 Application Daughtercard
 Component Type PCB Header
 Overview IEC 603-2 / DIN 41612
 Product Name IEC 603-2/DIN 41612
 Style B/2

Physical

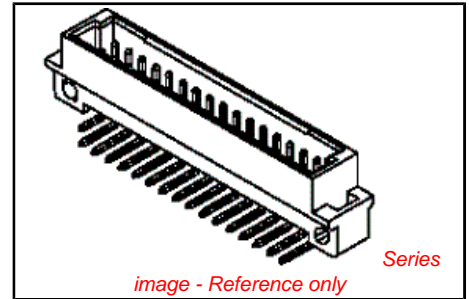
Circuits (Loaded) 32
 Circuits (maximum) 32
 Durability (mating cycles max) 400
 First Mate / Last Break No
 Flammability 94V-0
 Guide to Mating Part No
 Keying to Mating Part Yes
 Number of Columns 16
 Number of Pairs Open Pin Field
 Number of Rows 2
 Orientation Right Angle
 PC Tail Length (in) 0.118 In
 PC Tail Length (mm) 3.00 mm
 PCB Locator No
 PCB Retention Yes
 PCB Thickness Recommended (in) 0.062 In
 PCB Thickness Recommended (mm) 1.60 mm
 Packaging Type Bag
 Pitch - Mating Interface (in) 0.100 In
 Pitch - Mating Interface (mm) 2.54 mm
 Pitch - Term. Interface (in) 0.100 In
 Pitch - Term. Interface (mm) 2.54 mm
 Temperature Range - Operating -55°C to +125°C
 Termination Interface: Style Through Hole

Electrical

Current - Maximum per Contact 1.5A
 Data Rate 622.0 Mbps
 Voltage - Maximum 250V AC (RMS)

Material Info

Reference - Drawing Numbers



EU RoHS
ELV and RoHS
Compliant
REACH SVHC
 Not Reviewed
Halogen-Free
Status
Not Reviewed

China RoHS



Need more information on product environmental compliance?

Email productcompliance@molex.com
 For a multiple part number RoHS Certificate of Compliance, [click here](#)

Please visit the [Contact Us](#) section for any non-product compliance questions.

Search Parts in this Series
 85001Series

Mates With
 DIN 41612 Receptacle 85040 , 85050

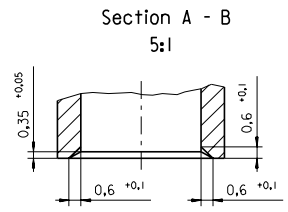
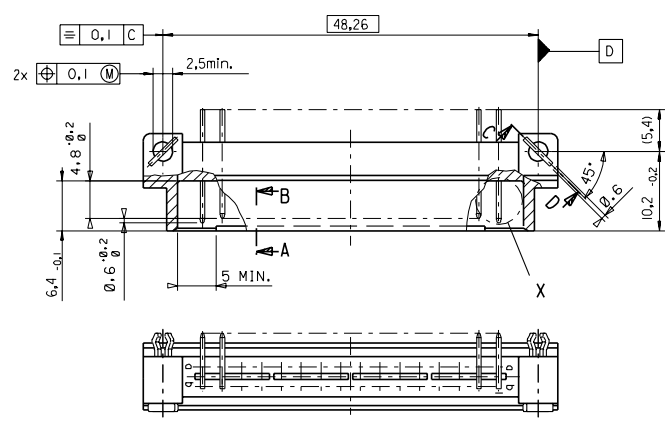
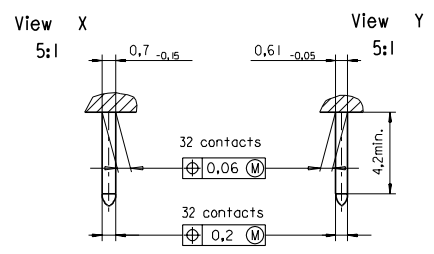
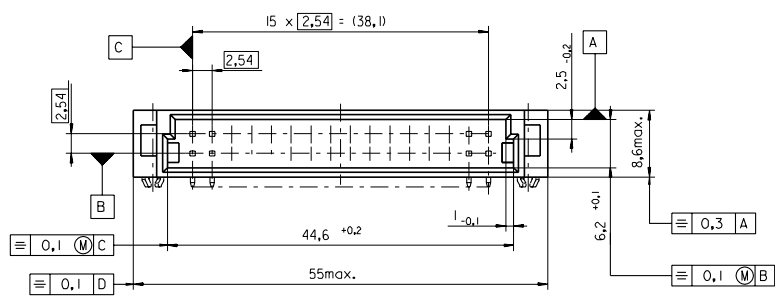
Product Specification
Sales Drawing

PS-85003-0001
SDA-85001-0002, SDA-85001-0074

This document was generated on 03/09/2010

PLEASE CHECK WWW.MOLEX.COM FOR LATEST PART INFORMATION

PART NO.
DMC NO.



FIRST ANGLE PROJECTION		REVISE ONLY ON CAD SYSTEM		SH. REV.
UNLESS OTHERWISE SPECIFIED TOLERANCES: ANGULAR ± 2°		DRWG BY Ca	SIGN	CAD/CAM PROJECT NAME 85001000 621
3 PLACE ± .		CHK'D BY KN	SIGN	THIS DRAWING CONTAINS INFORMATION THAT IS PROPRIETARY TO MOLEX INC. & SHOULD NOT BE USED WITHOUT WRITTEN PERMISSION
2 PLACE ± .		APP'D BY	SIGN	
1 PLACE ± .		TITLE 32 pos. Male connector acc. DIN 41612 style B/2 Dimensions		SHEET NO. DATE 1 OF 95/06/06
DRAFT WHERE APPLICABLE MUST REMAIN WITHIN DIMENSIONS		MOLEX MOLEX EUROPE		
DESIGN DIMENSION <input checked="" type="checkbox"/> MM <input type="checkbox"/> IN.		SCALE 2:1		PART NO.
EQUIVALENT DIMENSION <input type="checkbox"/> MM <input type="checkbox"/> IN.		IF TWO DIMENSIONS ARE SHOWN THE UPPER IS THE DESIGN DIMENSION LOWER IS SECONDARY		DWG NO. SDA-85001-0002

7132-1283

VIEW ON MATING SIDE

B	B	B	B	B	B	B	B	B	B	B	B	B	B	B	B	B	B	B	B
A	A	A	A	A	A	A	A	A	A	A	A	A	A	A	A	A	A	A	A
1 2 3 4 5 6 7 8 9 10 11 12 13 14 15 16 17 18 19 20																			

A = 16 STANDARD CONTACTS L-3
 B = 16 STANDARD CONTACTS L-3
 S = 32 TOTAL NUMBER OF CONTACTS

Marking	Standard
Performance level	G2/0 = Contact area level2 / Termination fin
Flux proof	no
Fixing clip	yes
Dimensions	SDA-85001-0002 sht.1
Technical Data	PS-85003-0001

B	G2/0	b1-16
A	G2/0	a1-16
Contact symbol	Perform. level	Contact position number

REVISE ONLY ON CAD SYSTEM		SH.	REV.
CAD/CAM PROJECT NAME	THIS DRAWING CONTAINS INFORMATION THAT IS PROPRIETARY TO MOLEX INC. & SHOULD NOT BE USED WITHOUT WRITTEN PERMISSION		
8500100	ST1		
TITLE	32 pos. Male connector acc. DIN 41612 style B/2 contacts arrangement		
SHEET NO.	DATE	1 OF 1 95/06/19	
MOLEX EUROPE		DWG NO.	SDA-85001-0074
85001-0074			A
DRWG BY	SIGN	CHK'D BY	SIGN
Ca		KN	
APPR'D BY	SCALE		
UNLESS OTHERWISE SPECIFIED TOLERANCES: ANGULAR ± 2°			
INCH		METRIC	
3 PLACE ±	±		
2 PLACE ±	±		
1 PLACE ±	±		
DRAFT: WHERE APPLICABLE MUST REMAIN WITHIN DIMENSIONS			
DESIGN DIMENSION	<input type="checkbox"/> MM	<input type="checkbox"/> IN.	
EQUIVALENT DIMENSION	<input type="checkbox"/> MM	<input type="checkbox"/> IN.	
IF TWO DIMENSIONS ARE SHOWN THE UPPER IS THE DESIGN DIMENSION, LOWER IS SECONDARY			
FOR PREVIOUS REVISIONS SEE MRI LIST	REVISIONS		
96/07/18 Ca	see ECN No. 2204		
LTR	C		