

PLEASE CHECK WWW.MOLEX.COM FOR LATEST PART INFORMATION

Part Number: [0675031230](#)
Status: **Active**
Overview: [usb_otg_onthego](#)
Description: 0.80mm (.031") Pitch, USB On-The-Go (OTG) Mini-B Receptacle, Surface Mount, Right Angle, Solder Tabs without Back Cover and PCB Locator Pegs, Lead Free

Documents:

[3D Model](#) [Product Specification PS-67803-001 \(PDF\)](#)
[Drawing \(PDF\)](#) [RoHS Certificate of Compliance \(PDF\)](#)

General

Product Family	I/O Connectors
Series	67503
Application	Wire-to-Board
Comments	Without Back Cover
Component Type	Receptacle
Overview	usb_otg_onthego
Product Name	USB OTG (On-The-Go)
Type	Mini-B

Physical

Boot Color	N/A
Circuits (Loaded)	5
Circuits (maximum)	5
Color - Resin	Black
Gender	Receptacle
Lock to Mating Part	Yes
Material - Metal	Copper Alloy
Material - Plating Mating	Gold
Material - Plating Termination	Tin
Material - Resin	High Temperature Thermoplastic
Number of Rows	1
Orientation	Right Angle
PCB Locator	No
PCB Retention	Yes
Packaging Type	Embossed Tape on Reel
Panel Mount	No
Pitch - Mating Interface (in)	0.031 In
Pitch - Mating Interface (mm)	0.80 mm
Pitch - Term. Interface (in)	0.031 In
Pitch - Term. Interface (mm)	0.80 mm
Plating min: Mating (µin)	30
Plating min: Mating (µm)	0.75
Plating min: Termination (µin)	40
Plating min: Termination (µm)	1
Polarized to Mating Part	Yes
Polarized to PCB	Yes
Ports	1
Temperature Range - Operating	0°C to +50°C
Termination Interface: Style	Surface Mount
Waterproof / Dustproof	No
Wire Size AWG	N/A

Electrical

Current - Maximum per Contact	1A
Shield Type	Full Shield

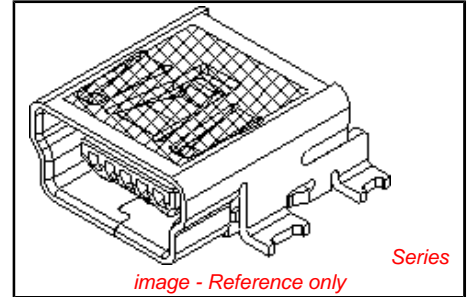


image - Reference only

EU RoHS

ELV and RoHS Compliant

REACH SVHC

Not Reviewed

Halogen-Free

Status

Not Reviewed

Need more information on product environmental compliance?

Email productcompliance@molex.com
 For a multiple part number RoHS Certificate of Compliance, [click here](#)

Please visit the [Contact Us](#) section for any non-product compliance questions.

China RoHS



Search Parts in this Series
67503Series

Mates With
47014 USB Mini-B Plug Kit

Shielded
Voltage - Maximum

Yes
30V AC (RMS)/DC

Material Info

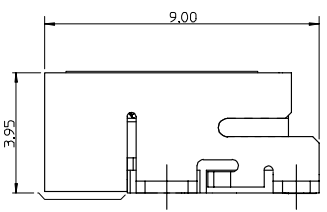
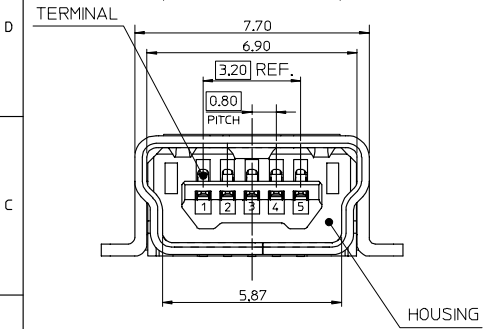
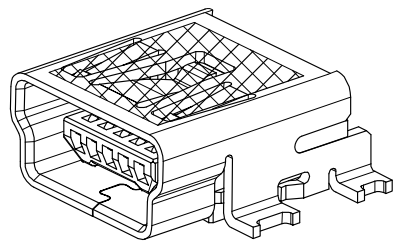
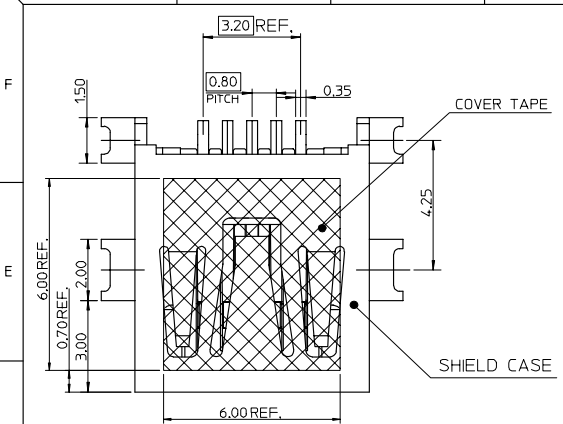
Reference - Drawing Numbers

Packaging Specification	PK-67503-001
Product Specification	PS-67803-001
Sales Drawing	SD-67503-011

This document was generated on 05/19/2010

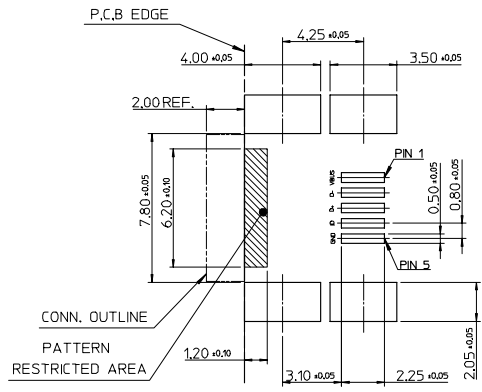
PLEASE CHECK WWW.MOLEX.COM FOR LATEST PART INFORMATION

10 9 8 7 6 5 4 3 2 1



NOTE :

- MATERIAL :
HOUSING : NYLON GLASS FILLED , BLACK,UL94V-0
TERMINAL : COPPER ALLOY THICKNESS = 0.2 MM
SHIELD CASE : COPPER ALLOY THICKNESS = 0.4 MM
- PLATING :
TERMINAL:
CONTACT AREA : GOLD 0.75 MICROMETER MINIMUM.
SOLDER TAIL AREA : PURE TIN 3.8 MICROMETER MINIMUM.
UNDER PLATING : NICKEL 1.25 MICROMETER MINIMUM.
SHIELD CASE :
PURE TIN: 1-3 MICROMETER .
UNDER PLATING : NICKEL 1.0 MICROMETER MINIMUM.
- TAIL & NAIL COPLANARITY 0.1 mm MAXIMUM.
- PRODUCT SPECIFICATION REFER TO PS-67803-001.
- PACKAGING INFORMATION REFER TO PK-67503-001.



RECOMMENDED P.C.B. PATTERN LAYOUT

NEW RELEASE EC NO. SH2005-0155 DRW: LXWANG 2005/01/04 CHK: HARVEY 2005/01/05 APPR: YTYAP 2005/01/05	QUALITY SYMBOLS ▽=0 ▽=0	GENERAL TOLERANCES (UNLESS SPECIFIED)		DIMENSION STYLE MM ONLY		SCALE 8:1	DESIGN UNITS METRIC	THIRD ANGLE PROJECTION	
		mm	INCH	DRAWN BY LXWANG	DATE 2004/11/12	USB SERIES MINI-B REC. REC. ASS'Y FOR SMT W/O BACKOVER&PEG(LEAD-FREE) MOLEX INCORPORATED			
		4 PLACES ± ---	± ---	CHECKED BY HARVEY	DATE 2004/11/12				
		3 PLACES ± ---	± ---	APPROVED BY YTYAP	DATE 2004/11/12				
2 PLACES ± 0.25	± ---	MATERIAL NO. 67503-1230	DOCUMENT NO. SD-67503-011						
1 PLACE ± 0.25	± ---	ANGULAR ± 3 °		DRAFT WHERE APPLICABLE MUST REMAIN WITHIN DIMENSIONS		SHEET NO. 1 OF 1		THIS DRAWING CONTAINS INFORMATION THAT IS PROPRIETARY TO MOLEX INCORPORATED AND SHOULD NOT BE USED WITHOUT WRITTEN PERMISSION	

fb_frame_A3_P_AM_T Rev. D 2004/06/28 9 8 7 6 5 4 3 2 1