

**PLEASE CHECK WWW.MOLEX.COM FOR LATEST PART INFORMATION**

**Part Number:** [0673298020](#)  
**Status:** **Active**  
**Description:** Universal Serial Bus (USB) Shielded I/O Receptacle, Type A, Single Upright Right Angle, Solder Tail Length 2.00mm (.079"), 3.65mm (.144") Beveled Metal Pins, PCB Thickness 1.60mm (.062"), Gold (Au) Flash, Lead Free

**Documents:**

[3D Model](#) [Product Specification PS-89485 \(PDF\)](#)  
[Drawing \(PDF\)](#) [RoHS Certificate of Compliance \(PDF\)](#)

**Agency Certification**

UL E29179

**General**

Product Family I/O Connectors  
 Series [67329](#)  
 Application Wire-to-Board  
 Comments Standard Mount Type|Beveled Metal Pin Length: 3.65mm (.144")  
 Component Type Receptacle  
 Product Name USB  
 Type A

**Physical**

Boot Color N/A  
 Circuits (Loaded) 4  
 Circuits (maximum) 4  
 Flammability 94V-0  
 Gender Receptacle  
 Lock to Mating Part Yes  
 Material - Plating Mating Gold  
 Material - Plating Termination Tin  
 Number of Rows 4  
 Orientation Upright  
 PC Tail Length (in) 0.079 In  
 PC Tail Length (mm) 2.00 mm  
 PCB Locator Yes  
 PCB Retention Yes  
 PCB Thickness Recommended (in) 0.063 In  
 PCB Thickness Recommended (mm) 1.60 mm  
 Packaging Type Tray  
 Panel Mount No  
 Pitch - Mating Interface (in) 0.000 In  
 Pitch - Mating Interface (mm) 0.00 mm  
 Pitch - Term. Interface (in) 0.055 In  
 Pitch - Term. Interface (mm) 1.40 mm  
 Plating min: Mating (µin) 4  
 Plating min: Mating (µm) 0.1  
 Plating min: Termination (µin) 100  
 Plating min: Termination (µm) 2.5  
 Polarized to Mating Part Yes  
 Polarized to PCB Yes  
 Ports 1  
 Surface Mount Compatible (SMC) Yes  
 Termination Interface: Style Through Hole  
 Waterproof / Dustproof No

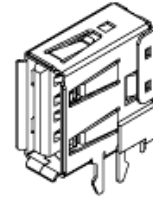


image - Reference only

Series

**EU RoHS**

**ELV and RoHS Compliant**  
**REACH SVHC**  
 Not Reviewed  
**Halogen-Free Status**  
**Not Reviewed**

**China RoHS**



**Need more information on product environmental compliance?**

Email [productcompliance@molex.com](mailto:productcompliance@molex.com)  
 For a multiple part number RoHS Certificate of Compliance, [click here](#)

Please visit the [Contact Us](#) section for any non-product compliance questions.

**Search Parts in this Series**  
[67329Series](#)

**Mates With**  
 USB Type A Plug

**Electrical**

Current - Maximum per Contact  
Shield Type  
Shielded

1A  
Full Shield  
Yes

**Material Info****Reference - Drawing Numbers**

Product Specification  
Sales Drawing

PS-89485  
SD-67329-802

This document was generated on 03/31/2010

**PLEASE CHECK [WWW.MOLEX.COM](http://WWW.MOLEX.COM) FOR LATEST PART INFORMATION**

10 9 8 7 6 5 4 3 2 1

NOTES :

1. MATERIAL :

HOUSING : HIGH TEMPERATURE NYLON ,GLASS FIBER,UL94-V0 , COLOR: BLACK  
 TERMINAL : PHOSPHOR BRONZE(PhBr), C5100 EH, PER ES-I24-E108  
 METAL SHELL : COPPER ALLOY

2. PLATING :

TERMINAL :

CONTACT AREA : (a) GOLD FLASH.

(b) GL0D (Au), THICKNESS = 30 MICROINCH/0.76 MICROMETER

SOLDER TAIL : TIN.

THICKNESS=50-100 MICROINCH/1.27-2.54 MICROMETER

UNDER PLATE : NICKEL (NI), THICKNESS= 50 MICROINCH/L27 MICROMETER

METAL SHELL : TIN.

THICKNESS=50-100 MICROINCH/1.27-2.54 MICROMETER

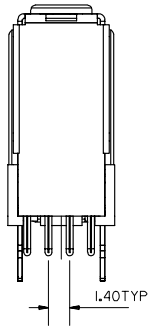
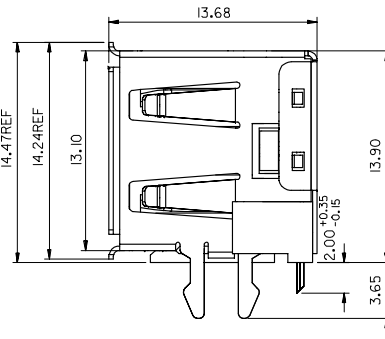
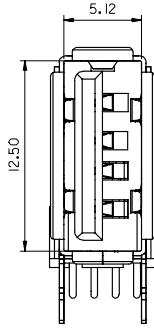
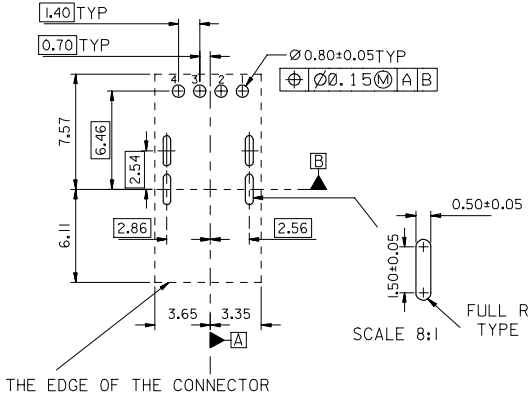
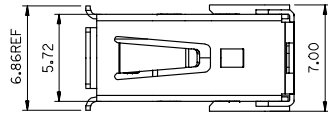
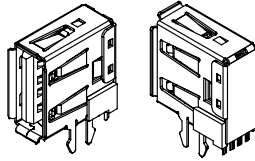
UNDER PLATE : NICKEL (NI), THICKNESS= 50 MICROINCH/L27 MICROMETER

SURFACE APPEARANCE :BRIGHT

3 RECOMMENDED PCB THICKNESS : 1.60±0.05 mm.

4 PRODUCT SPECIFICATION : REFER TO PS-89485

5 PACKAGING SPECIFICATION : REFER TO PK-67329-001



PART NUMBER LEGEND:

P/N	CONTACT PLATING
67329-8020	GOLD FLASH
67329-8021	0.76 MICROMETER/30 MICROINCH GOLD

NEW RELEASE	2005/12/09	QUALITY SYMBOLS	GENERAL TOLERANCES (UNLESS SPECIFIED)	DIMENSION STYLE MM ONLY	SCALE	DESIGN UNITS	THIRD ANGLE PROJECTION
	2006/01/10				4:1	METRIC	
DRW:HP01AN	2005/12/09	▽=0	4 PLACES ± --- ± ---	DRAWN BY	TITLE		
CHK:CHAREY	2006/01/10	▽=0	3 PLACES ± --- ± ---	DATE	USB UPRIGHT CONNECTOR		
APPR:HWANG	2006/01/10		2 PLACES ± 0.25 ± ---	QIANHUIPING	FLANG OUT TYPE WITH		
			1 PLACE ± 0.25 ± ---	DATE	FORK LOCK LEAD FREE		
			ANGULAR ± 3 °	HARVEY	MOLEX INCORPORATED		
				DATE	MATERIAL NO.		
				GARY	DOCUMENT NO.		
				2005/12/09	SD-67329-802		
					SEE CHART		
					SHEET NO.		
					1 OF 1		
					THIS DRAWING CONTAINS INFORMATION THAT IS PROPRIETARY TO MOLEX INCORPORATED AND SHOULD NOT BE USED WITHOUT WRITTEN PERMISSION		

9 8 7 6 5 4 3 2 1