

**PLEASE CHECK WWW.MOLEX.COM FOR LATEST PART INFORMATION**

**Part Number:** [0670688010](#)  
**Status:** **Active**  
**Description:** Universal Serial Bus (USB), Shielded I/O, Type B Receptacle, Right Angle with Straight Tabs, Color Black, Gold (Au) Flash Plating, Tray Pack, Lead Free

**Documents:**

[3D Model](#) [Product Specification PS-67998-0000 \(PDF\)](#)  
[Drawing \(PDF\)](#) [RoHS Certificate of Compliance \(PDF\)](#)

**General**

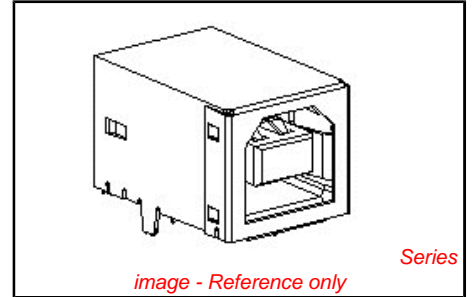
Product Family	I/O Connectors
Series	67068
Application	Wire-to-Board
Comments	Single
Component Type	Receptacle
Product Name	USB
Type	B

**Physical**

Boot Color	N/A
Circuits (Loaded)	4
Circuits (maximum)	4
Gender	Receptacle
Lock to Mating Part	Yes
Material - Plating Mating	Gold
Material - Plating Termination	Tin
Number of Rows	2
Orientation	Right Angle
PC Tail Length (in)	0.110 In
PC Tail Length (mm)	2.80 mm
PCB Locator	Yes
PCB Retention	Yes
PCB Thickness Recommended (in)	0.063 In
PCB Thickness Recommended (mm)	1.60 mm
Packaging Type	Tray
Panel Mount	No
Pitch - Mating Interface (in)	0.098 In
Pitch - Mating Interface (mm)	2.50 mm
Pitch - Term. Interface (in)	0.098 In
Pitch - Term. Interface (mm)	2.50 mm
Plating min: Termination (µin)	75
Plating min: Termination (µm)	1.90
Polarized to Mating Part	Yes
Polarized to PCB	Yes
Ports	1
Surface Mount Compatible (SMC)	Yes
Temperature Range - Operating	0°C to +50°C
Termination Interface: Style	Through Hole
Waterproof / Dustproof	No
Wire Size AWG	N/A

**Electrical**

Current - Maximum per Contact	1.5A
Shield Type	Full Shield
Shielded	Yes
Voltage - Maximum	30V (RMS)



**EU RoHS**

**ELV and RoHS Compliant**  
**REACH SVHC**  
 Not Reviewed  
**Halogen-Free Status**  
 Not Reviewed

**China RoHS**



**Need more information on product environmental compliance?**

Email [productcompliance@molex.com](mailto:productcompliance@molex.com)  
 For a multiple part number RoHS Certificate of Compliance, [click here](#)

Please visit the [Contact Us](#) section for any non-product compliance questions.

**Search Parts in this Series**  
[67068Series](#)

**Mates With**  
 USB Type B Plug

**Material Info**

**Reference - Drawing Numbers**

Product Specification  
Sales Drawing

PS-67998-0000  
SD-67068-003

This document was generated on 04/07/2010

**PLEASE CHECK [WWW.MOLEX.COM](http://WWW.MOLEX.COM) FOR LATEST PART INFORMATION**

10 9 8 7 6 5 4 3 2 1

NOTES :

1. MATERIAL :

HOUSING : (a) HIGH TEMP. NYLON ,GLASS FIBER FILLED,UL94V-0, COLOR: BLACK,  
(b) POLYESTER , GLASS FIBER FILLED,UL94V-0, COLOR: WHITE,

TERMINAL : PHOSPHOR BRONZE  
METAL SHELL : COPPER ALLOY

2. PLATING :

TERMINAL :

CONTACT AREA : (a) GOLD FLASH,

(b) GLOD (Au), THICKNESS = 30 MICROINCH MINIMUM,  
/0.76 MICROMETER MINIMUM.

SOLDER TAIL :

PURE TIN(Sn) THICKNESS= 75 MICROINCH MINIMUM .  
/1.9 MICROMETER MINIMUM.

UNDER PLATE : NICKEL (Ni), THICKNESS= 50 MICROINCH MINIMUM.

/1.27 MICROMETER MINIMUM.

METAL SHELL :

PURE TIN(Sn) , THICKNESS= 50 MICROINCH MINIMUM.  
/1.27 MICROMETER MINIMUM.

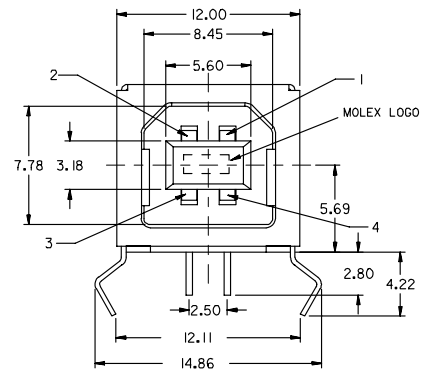
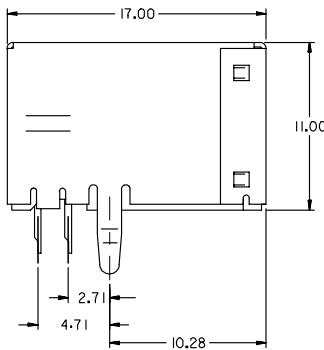
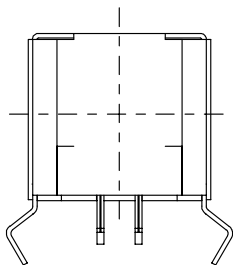
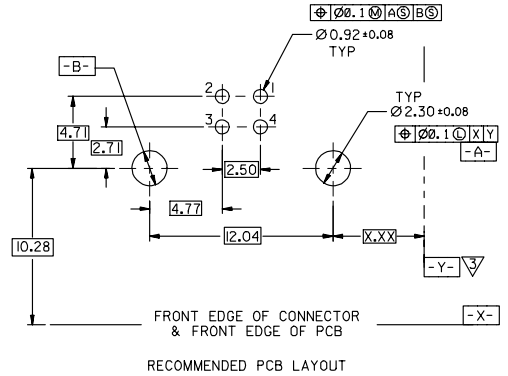
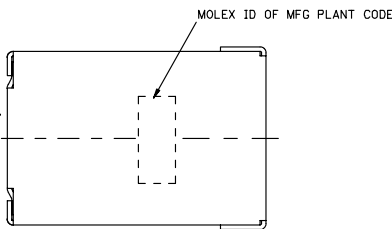
UNDER PLATE : NICKEL (Ni) , THICKNESS= 50 MICROINCH MINIMUM.

/1.27 MICROMETER MINIMUM.

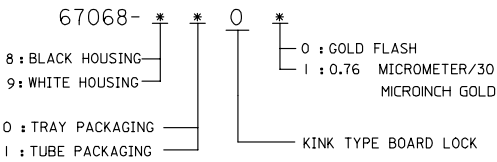
▽ DATUM AND BASIC DIMENSIONS ESTABLISHED BY CUSTOMER

RECOMMENDED PCB THICKNESS : 1.60±0.05

4 PRODUCT SPECIFICATION : REFER TO PS-67998-0000



PART NUMBER LEGEND:



NEW RELEASE EC NO. SH2005-0142 DRAWN: DAVID HU 2004/11/05 CHKD: HARVEY 2004/11/05 APPR: YITAP 2004/11/25	QUALITY SYMBOLS ▽=0 ▽=0	GENERAL TOLERANCES (UNLESS SPECIFIED)		DIMENSION STYLE MM ONLY		SCALE 4:1	DESIGN UNITS METRIC	THIRD ANGLE PROJECTION
		4 PLACES ± --- ± ---	3 PLACES ± --- ± ---	2 PLACES ± 0.25 ± ---	1 PLACE ± 0.25 ± ---	ANGULAR ± 3 °	DRAWN BY DAVID HU	DATE 2004/11/05
A	DESCRIPTION	DRAFT WHERE APPLICABLE MUST REMAIN WITHIN DIMENSIONS		SEE NOTES		MATERIAL NO. DOCUMENT NO. SD-67068-003		SHEET NO. 1 OF 4
		THIS DRAWING CONTAINS INFORMATION THAT IS PROPRIETARY TO MOLEX INCORPORATED AND SHOULD NOT BE USED WITHOUT WRITTEN PERMISSION						

9 8 7 6 5 4 3 2 1





ENG. NO SDA-67068-0000

EDP NO.

SIMILAR ITEM

CAD FILE : \_S6706802\_

DO NOT SCALE DRAWING

**NOTES :**

**1. MATERIAL :**

HOUSING : (a) HIGH TEMP. NYLON, GLASS FIBER FILLED, UL94V-0, COLOR: BLACK,

TERMINAL : PHOSPHOR BRONZE  
METAL SHELL : COPPER ALLOY

**2. PLATING :**

TERMINAL :  
CONTACT AREA : (a) GOLD FLASH,  
(b) GLOD (Au), THICKNESS = 30 MICROINCH MINIMUM,  
/0.76 MICROMETER MINIMUM.

SOLDER TAIL :  
PURE TIN(Sn) THICKNESS= 75 MICROINCH MINIMUM,  
/1.9 MICROMETER MINIMUM.

UNDER PLATE : NICKEL (Ni), THICKNESS= 50 MICROINCH MINIMUM,  
/1.27 MICROMETER MINIMUM.

METAL SHELL :  
PURE TIN(Sn) THICKNESS= 50 MICROINCH MINIMUM,  
/1.27 MICROMETER MINIMUM.

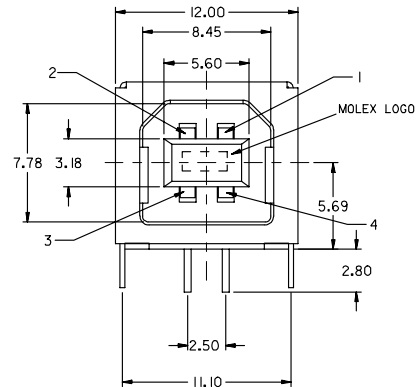
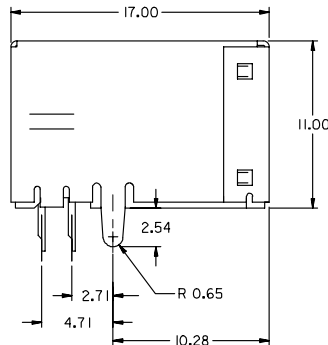
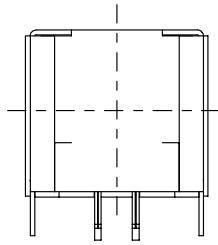
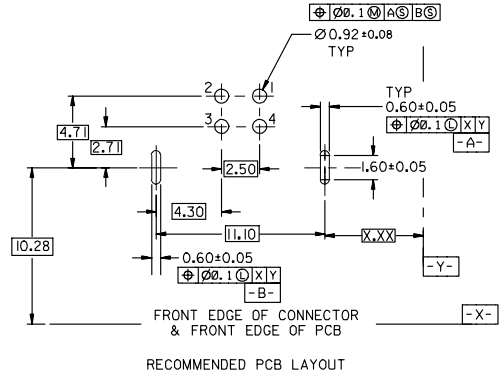
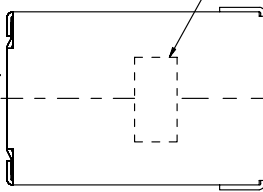
UNDER PLATE : NICKEL (Ni), THICKNESS= 50 MICROINCH MINIMUM,  
/1.27 MICROMETER MINIMUM.

**3 DATUM AND BASIC DIMENSIONS ESTABLISHED BY CUSTOMER**

RECOMMENDED PCB THICKNESS : 1.60±0.05

**4 PRODUCT SPECIFICATION : REFER TO PS-67998-0000**

MOLEX ID OF MFG PLANT CODE



**PART NUMBER LEGEND:**

67068- 7051

				MATERIAL : SEE NOTES		MOLEX TAIWAN LTD.	
				FINISH : SEE NOTES		SHEET 4 OF 4	
				WIRE RANGE :		GENERAL TOLERANCES	
				INS. RANGE :		ANGLE : ± 3° DIM : ± .25/.010	
A NEW RELEASE FOR LEAD-FREE				DAVID HU 2006/11/5		ENG. NO.: SD-67068-003	
LTR REVISION RECORD ECN DR DATE				DRAWN BY 2004/11/5 DAVID HU		REV A	
REVISE ONLY ON CAD SYSTEM				APPR'D BY		TITLE : HIGH TEMP/5B B TYPE CONNECTOR WITH STRAIGHT TAB (LEAD-FREE)	
				SCALE 4 : 1			

THIS DRAWING CONTAINS INFORMATION THAT IS PROPRIETARY TO MOLEX (FEMLE) AND SHOULD NOT BE USED WITHOUT WRITTEN PERMISSION

MXT, Sg - 13