

PLEASE CHECK WWW.MOLEX.COM FOR LATEST PART INFORMATION

Part Number: [0670688001](#)
Status: **Active**
Description: Universal Serial Bus (USB) Shielded I/O Type B Receptacle, Right Angle, with Kinked Solder Tabs, Color Black, 0.76µm (30µ") Gold(Au) Plating, Tray Pack, Lead Free

Documents:

[3D Model](#) [Product Specification PS-67998-0000 \(PDF\)](#)
[Drawing \(PDF\)](#) [RoHS Certificate of Compliance \(PDF\)](#)

General

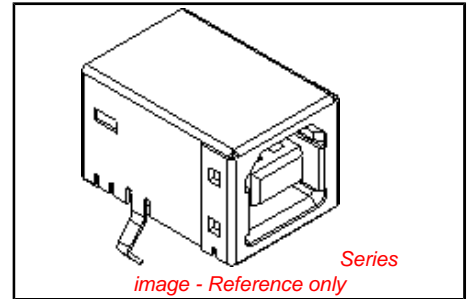
Product Family	I/O Connectors
Series	67068
Application	Wire-to-Board
Comments	Single
Component Type	Receptacle
Product Name	USB
Type	B

Physical

Boot Color	N/A
Circuits (Loaded)	4
Circuits (maximum)	4
Gender	Receptacle
Lock to Mating Part	Yes
Material - Plating Mating	Gold
Material - Plating Termination	Tin
Number of Rows	2
Orientation	Right Angle
PC Tail Length (in)	0.110 In
PC Tail Length (mm)	2.80 mm
PCB Locator	Yes
PCB Retention	Yes
PCB Thickness Recommended (in)	0.063 In
PCB Thickness Recommended (mm)	1.60 mm
Packaging Type	Tray
Panel Mount	No
Pitch - Mating Interface (in)	0.098 In
Pitch - Mating Interface (mm)	2.50 mm
Pitch - Term. Interface (in)	0.098 In
Pitch - Term. Interface (mm)	2.50 mm
Plating min: Mating (µin)	30
Plating min: Mating (µm)	0.76
Plating min: Termination (µin)	75
Plating min: Termination (µm)	1.90
Polarized to Mating Part	Yes
Polarized to PCB	Yes
Ports	1
Surface Mount Compatible (SMC)	Yes
Temperature Range - Operating	0°C to +50°C
Termination Interface: Style	Through Hole
Waterproof / Dustproof	No
Wire Size AWG	N/A

Electrical

Current - Maximum per Contact	1.5A
Shield Type	Full Shield



EU RoHS

ELV and RoHS Compliant
REACH SVHC
 Not Reviewed
Halogen-Free Status
 Not Reviewed

China RoHS



Need more information on product environmental compliance?

Email productcompliance@molex.com
 For a multiple part number RoHS Certificate of Compliance, [click here](#)

Please visit the [Contact Us](#) section for any non-product compliance questions.

Search Parts in this Series
[67068Series](#)

Mates With
 USB Type B Plug

Shielded Yes
Voltage - Maximum 30V (RMS)

Solder Process Data

Duration at Max. Process Temperature (seconds) 5
Lead-free Process Capability Wave Capable (TH only)
Max. Cycles at Max. Process Temperature 1
Process Temperature max. C 260

Material Info

Reference - Drawing Numbers

Product Specification PS-67998-0000
Sales Drawing SD-67068-003, SD-67068-004

This document was generated on 04/07/2010

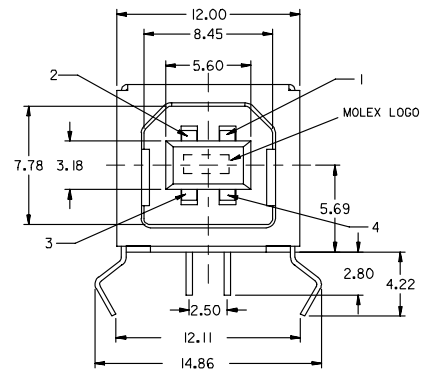
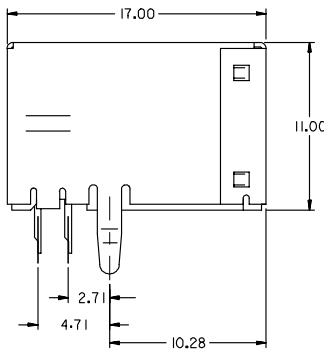
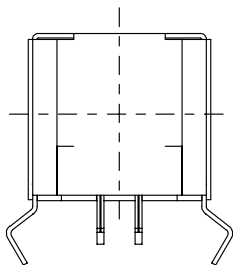
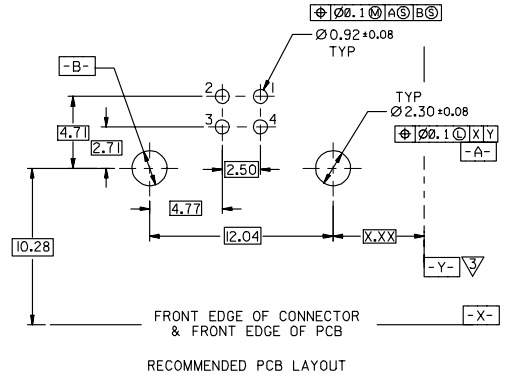
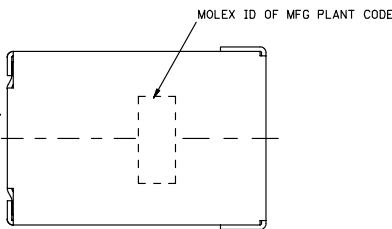
PLEASE CHECK WWW.MOLEX.COM FOR LATEST PART INFORMATION

10 9 8 7 6 5 4 3 2 1

NOTES :
 1. MATERIAL :
 HOUSING : (a) HIGH TEMP. NYLON ,GLASS FIBER FILLED,UL94V-0, COLOR: BLACK,
 (b) POLYESTER , GLASS FIBER FILLED,UL94V-0, COLOR: WHITE,
 TERMINAL : PHOSPHOR BRONZE
 METAL SHELL : COPPER ALLOY

2. PLATING :
 TERMINAL :
 CONTACT AREA : (a) GOLD FLASH,
 (b) GLOD (Au), THICKNESS = 30 MICROINCH MINIMUM,
 /0.76 MICROMETER MINIMUM.
 SOLDER TAIL :
 PURE TIN(Sn) THICKNESS= 75 MICROINCH MINIMUM .
 /1.9 MICROMETER MINIMUM.
 UNDER PLATE : NICKEL (Ni), THICKNESS= 50 MICROINCH MINIMUM.
 /1.27 MICROMETER MINIMUM.
 METAL SHELL :
 PURE TIN(Sn) , THICKNESS= 50 MICROINCH MINIMUM.
 /1.27 MICROMETER MINIMUM.
 UNDER PLATE : NICKEL (Ni) , THICKNESS= 50 MICROINCH MINIMUM.
 /1.27 MICROMETER MINIMUM.

▽ DATUM AND BASIC DIMENSIONS ESTABLISHED BY CUSTOMER
 RECOMMENDED PCB THICKNESS : 1.60±0.05
 4 PRODUCT SPECIFICATION : REFER TO PS-67998-0000



PART NUMBER LEGEND:

67068- * * 0 *
 8 : BLACK HOUSING
 9 : WHITE HOUSING
 0 : TRAY PACKAGING
 1 : TUBE PACKAGING
 0 : GOLD FLASH
 1 : 0.76 MICROMETER/30 MICROINCH GOLD
 KINK TYPE BOARD LOCK

NEW RELEASE EC NO. SH2005-0142 DRAWN: DAVID HU 2004/11/5 CHKD: HARVEY 2004/11/25 APPR: YITAP 2004/11/25	QUALITY SYMBOLS ▽=0 ▽=0	GENERAL TOLERANCES (UNLESS SPECIFIED)		DIMENSION STYLE MM ONLY	SCALE 4:1	DESIGN UNITS METRIC	THIRD ANGLE PROJECTION	
		4 PLACES ± --- ± ---	3 PLACES ± --- ± ---	2 PLACES ± 0.25 ± ---	1 PLACE ± 0.25 ± ---	ANGULAR ± 3 °	DRAWN BY DAVID HU 2004/11/05	CHECKED BY HARVEY 2004/11/05
A	REV	DRAFT WHERE APPLICABLE MUST REMAIN WITHIN DIMENSIONS		SEE NOTES	MATERIAL NO.	DOCUMENT NO. SD-67068-003	SHEET NO. 1 OF 4	

ENG. NO SDA-67068-0000

EDP NO.

SIMILAR ITEM

CAD FILE : _S6706802_

DO NOT SCALE DRAWING

8 7 6 5 4 3 2 1

NOTES :

1. MATERIAL :

HOUSING : (a) HIGH TEMP. NYLON, GLASS FIBER FILLED, UL94V-0, COLOR: BLACK,

TERMINAL : PHOSPHOR BRONZE
METAL SHELL : COPPER ALLOY

2. PLATING :

TERMINAL :
CONTACT AREA : (a) GOLD FLASH,
(b) GLOD (Au), THICKNESS = 30 MICROINCH MINIMUM,
/0.76 MICROMETER MINIMUM.

SOLDER TAIL :
PURE TIN(Sn) THICKNESS= 75 MICROINCH MINIMUM,
/1.9 MICROMETER MINIMUM.

UNDER PLATE : NICKEL (Ni), THICKNESS= 50 MICROINCH MINIMUM,
/1.27 MICROMETER MINIMUM.

METAL SHELL :
PURE TIN(Sn) THICKNESS= 50 MICROINCH MINIMUM,
/1.27 MICROMETER MINIMUM.

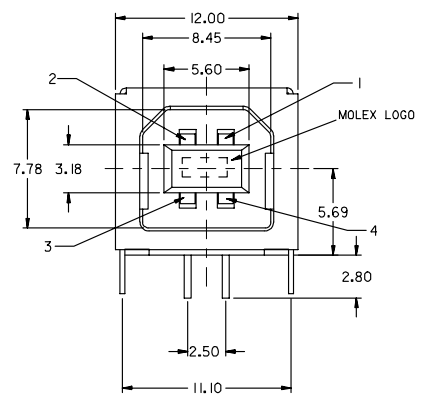
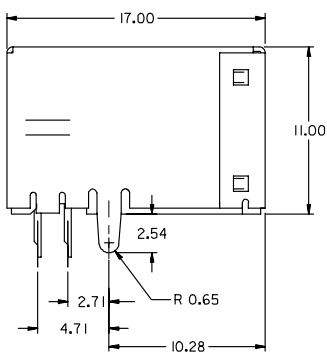
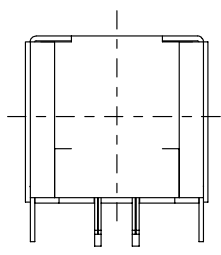
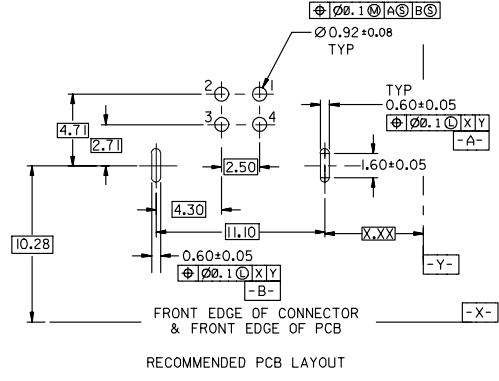
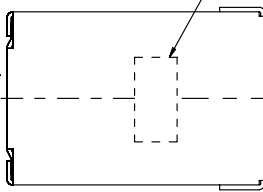
UNDER PLATE : NICKEL (Ni), THICKNESS= 50 MICROINCH MINIMUM,
/1.27 MICROMETER MINIMUM.

3 DATUM AND BASIC DIMENSIONS ESTABLISHED BY CUSTOMER

RECOMMENDED PCB THICKNESS : 1.60±0.05

4 PRODUCT SPECIFICATION : REFER TO PS-67998-0000

MOLEX ID OF MFG PLANT CODE



PART NUMBER LEGEND:

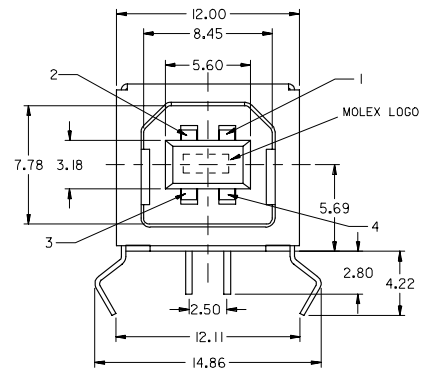
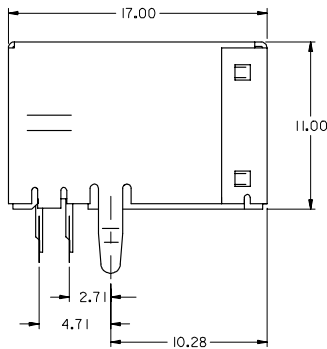
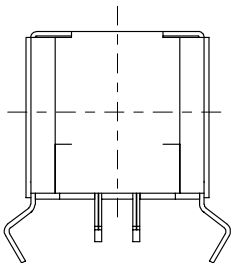
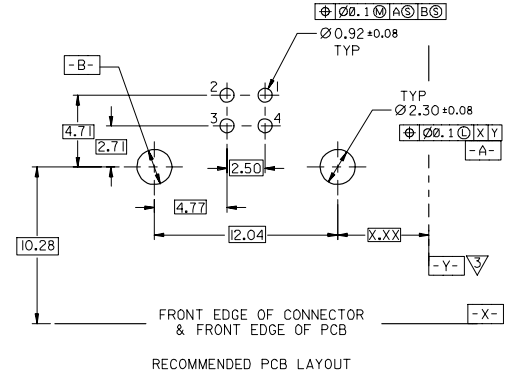
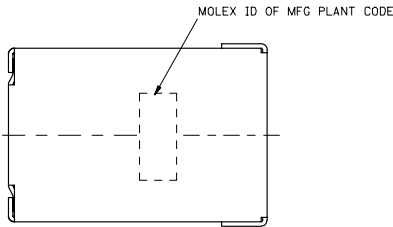
67068- 7051

				MATERIAL : SEE NOTES		MOLEX TAIWAN LTD.	
				FINISH : SEE NOTES		SHEET 4 OF 4	
				WIRE RANGE :		GENERAL TOLERANCES ANGLE : ± 3° DIM : ± .25/.010	
				INS. RANGE :		ENG. NO.: SD-67068-003 REV A	
A	NEW RELEASE FOR LEAD-FREE	DAVID HU	2006/11/5	DRAWN BY 2004/11/5 DAVID HU	CHK'D BY	TITLE : HIGH TEMP. B TYPE CONNECTOR WITH STRAIGHT TAB (LEAD-FREE)	
LTR	REVISION RECORD	ECN	DR	DATE	APPR'D BY	SCALE	4 : 1
REVISE ONLY ON CAD SYSTEM							

THIS DRAWING CONTAINS INFORMATION THAT IS PROPRIETARY TO MOLEX (FEMLE) AND SHOULD NOT BE USED WITHOUT WRITTEN PERMISSION

MXT, Sg - 13

NOTES:
 1.MATERIAL:
 HOUSING:
 (a)HIGH TEMP NYLON, GLASS FIBRE FILLED, UL94V-0, COLOR: 8#BLACK
 (b)POLYESTER(PBT), 30% GLASS FIBER FILLED, UL94V-0, COLOR: 9#WHITE
 TERMINAL: PHOSPHOR BRONZE
 METAL SHELL: COPPER ALLOY
 2.PLATING:
 TERMINAL:
 (c)GOLD FLASH ON CONTACT AREA, 75 MICRONCH MINIMUM PURE TIN(Sn) ON SOLDER TAIL, UNDER 50 MICRONCH MINIMUM NICKEL(Ni) PLATE.
 (d)30 MICRONCH MINIMUM GOLD(Au) ON CONTACT AREA, 75 MICRONCH MINIMUM PURE TIN(Sn) ON SOLDER TAIL, UNDER 50 MICRONCH MINIMUM NICKEL(Ni) PLATE.
 (e)GOLD FLASH ON CONTACT AREA, 75 MICRONCH MINIMUM MATTE TIN(Sn) ON SOLDER TAIL, UNDER 50 MICRONCH MINIMUM NICKEL(Ni) PLATE.
 (f)30 MICRONCH MINIMUM GOLD(Au) ON CONTACT AREA, 75 MICRONCH MINIMUM MATTE TIN(Sn) ON SOLDER TAIL, UNDER 50 MICRONCH MINIMUM NICKEL(Ni) PLATE.
 METAL SHELL:
 (g)50 MICRONCH MINIMUM PURE TIN(Sn) UNDER 50 MICRONCH MINIMUM NICKEL(Ni) PLATE.
 (h)50 MICRONCH MINIMUM MATTE TIN(Sn) UNDER 50 MICRONCH MINIMUM NICKEL(Ni) PLATE.
 3. DATUM AND BASIC DIMENSIONS ESTABLISHED BY CUSTOMER.
 RECOMMENDED PCB THICKNESS : 1.60±0.05
 4. PRODUCT SPECIFICATION : REFER TO PS-67998-0000



P/N	HOUSING COLOR	PLATING
67068-8000	BLACK	GOLD FLASH SEE NOTES[2-(c),2-(g)]
67068-8001	BLACK	30MICRONCH Au SEE NOTES[2-(d),2-(g)]
67068-9000	WHITE	GOLD FLASH SEE NOTES[2-(c),2-(g)]
67068-9001	WHITE	30MICRONCH Au SEE NOTES[2-(d),2-(g)]
67068-8012	BLACK	30MICRONCH Au SEE NOTES[2-(f),2-(h)]
67068-8013	BLACK	GOLD FLASH SEE NOTES[2-(e),2-(h)]

REVISED EC NO. SH2007-0468 2007/01/19 DRW:HYH01 CHKC:WANG 2007/01/19 APPR: JIN-CHEN 2007/01/26	QUALITY SYMBOLS ▽=0 ▽=0	GENERAL TOLERANCES (UNLESS SPECIFIED)		DIMENSION STYLE MM ONLY		SCALE 4:1	DESIGN UNITS METRIC	THIRD ANGLE PROJECTION		
		4 PLACES ± --- ± ---	3 PLACES ± --- ± ---	2 PLACES ± 0.25 ± .010	1 PLACE ± 0.25 ± .010	ANGULAR ± 3°	DRAWN BY DAVID HU DATE 2004/11/05	TITLE USB B TYPE CONNECTOR LEAD-FREE		
		DRAFT WHERE APPLICABLE MUST REMAIN WITHIN DIMENSIONS		SEE NOTES		MATERIAL NO. SD-67068-004		DOCUMENT NO.		SHEET NO. 1 OF 1
		THIS DRAWING CONTAINS INFORMATION THAT IS PROPRIETARY TO MOLEX INCORPORATED AND SHOULD NOT BE USED WITHOUT WRITTEN PERMISSION								