

PLEASE CHECK WWW.MOLEX.COM FOR LATEST PART INFORMATION

Part Number: [0532611171](#)
Status: **Active**
Overview: [picoblade](#)
Description: 1.25mm (.049") Pitch PicoBlade™ Header, Surface Mount, Right Angle, Lead-free, 11 Circuits

Documents:

3D Model	Product Specification PS-51021-024 (PDF)
Drawing (PDF)	RoHS Certificate of Compliance (PDF)

Agency Certification

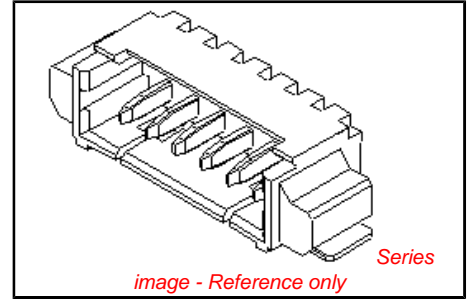
CSA	LR19980
UL	E29179

General

Product Family	PCB Headers
Series	53261
Application	Wire-to-Board
Overview	picoblade
Product Name	PicoBlade™

Physical

Breakaway	No
Circuits (Loaded)	11
Circuits (maximum)	11
Color - Resin	Natural
Durability (mating cycles max)	30
First Mate / Last Break	No
Flammability	94V-0
Glow-Wire Compliant	No
Guide to Mating Part	Yes
Keying to Mating Part	None
Lock to Mating Part	Yes
Mated Height (in)	0.134 In
Mated Height (mm)	3.40 mm
Material - Metal	Phosphor Bronze
Material - Plating Mating	Tin
Material - Plating Termination	Tin
Material - Resin	High Temperature Thermoplastic
Number of Rows	1
Orientation	Right Angle
PCB Locator	No
PCB Retention	Yes
Packaging Type	Embossed Tape on Reel
Pitch - Mating Interface (in)	0.049 In
Pitch - Mating Interface (mm)	1.25 mm
Plating min: Mating (µin)	40
Plating min: Mating (µm)	1
Plating min: Termination (µin)	40
Plating min: Termination (µm)	1
Polarized to PCB	Yes
Shrouded	Fully
Stackable	No
Temperature Range - Operating	-40°C to +85°C
Termination Interface: Style	Surface Mount



EU RoHS

ELV and RoHS Compliant
REACH SVHC
Contains SVHC: No
Halogen-Free Status
Not Halogen-Free

China RoHS



Need more information on product environmental compliance?

Email productcompliance@molex.com
 For a multiple part number RoHS Certificate of Compliance, [click here](#)

Please visit the [Contact Us](#) section for any non-product compliance questions.

Search Parts in this Series

[53261Series](#)

Mates With

[51021 PicoBlade™ Wire-to-Wire and Wire-to-Board Housing](#)

Electrical

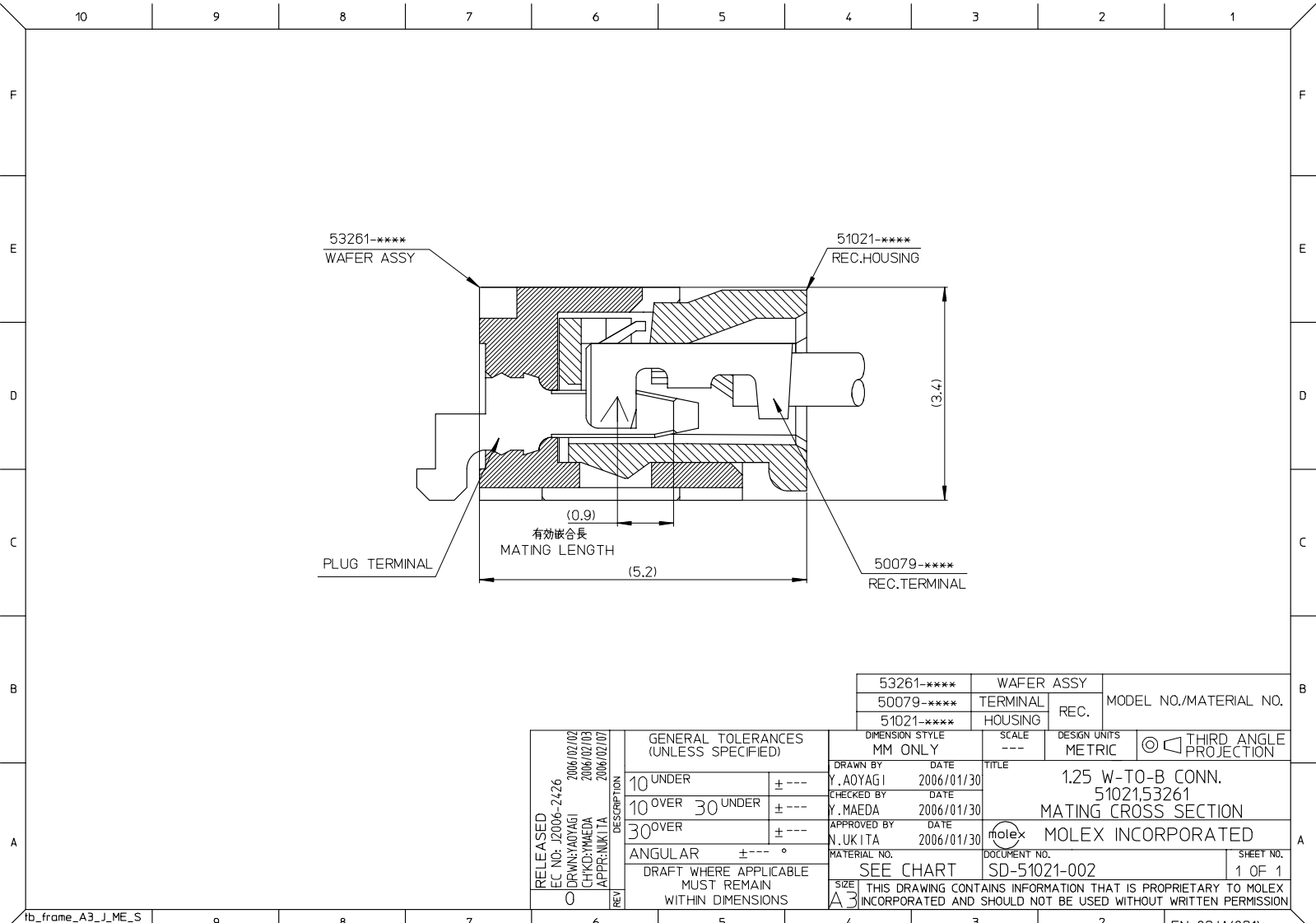
Current - Maximum per Contact 1A
Voltage - Maximum 125V

Material Info**Reference - Drawing Numbers**

Packaging Specification SPK-53261-001, SPK-53261-002
Product Specification PS-51021-024, RPS-51021-036, RPS-51021-038,
RPS-51021-039, RPS-51021-040, RPS-51021-042,
RPS-51021-043, RPS-51021-045, RPS-51021-046,
RPS-51021-047, RPS-51021-051, RPS-51021-053,
RPS-51021-054, RPS-51021-057, RPS-51021-058,
RPS-51021-061, RPS-51021-062, RPS-51021-066,
RPS-51021-067, RPS-51021-068, RPS-51021-072,
RPS-51021-073, RPS-51021-076, RPS-51021-079,
RPS-51021-081, RPS-51021-085, RPS-51021-086,
RPS-51021-091, RPS-51021-097, RPS-51021-099,
RPS-51021-101, RPS-53261-001, RPS-53261-002
Sales Drawing SD-51021-002, SD-53261-023, SD-53261-024

This document was generated on 05/25/2010

PLEASE CHECK WWW.MOLEX.COM FOR LATEST PART INFORMATION

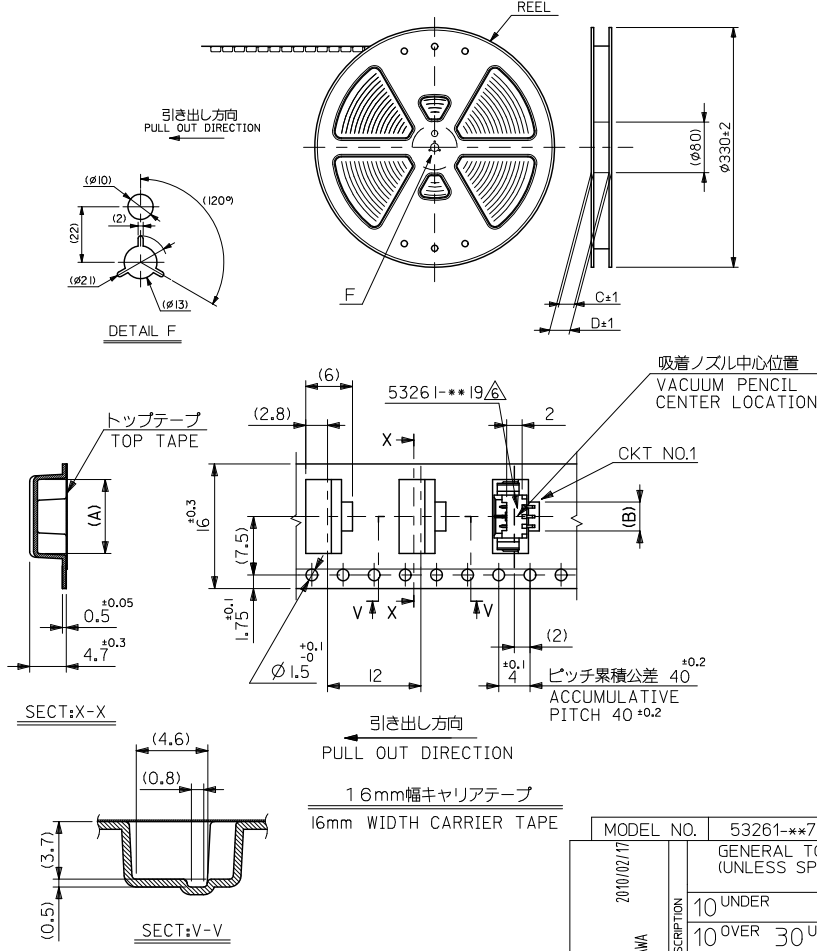


53261-****	WAFER ASSY	MODEL NO./MATERIAL NO.
50079-****	TERMINAL	
51021-****	HOUSING	

RELEASED EC NO: J2006-2426 DRWN: YAOYAGI CHKD: YMAEDA APPR: NUKITA	GENERAL TOLERANCES (UNLESS SPECIFIED)		DIMENSION STYLE MM ONLY		SCALE ---	DESIGN UNITS METRIC	THIRD ANGLE PROJECTION
	10 UNDER	± ---	DRAWN BY Y. AOYAGI	DATE 2006/01/30	TITLE 1.25 W-T0-B CONN. 51021,53261 MATING CROSS SECTION		
	10 OVER 30 UNDER	± ---	CHECKED BY Y. MAEDA	DATE 2006/01/30	MOLEX INCORPORATED		
	30 OVER	± ---	APPROVED BY N. UKITA	DATE 2006/01/30	DOCUMENT NO. SD-51021-002		
	ANGULAR	± --- °	MATERIAL NO. SEE CHART		SHEET NO. 1 OF 1		
0	DESCRIPTION	DRAFT WHERE APPLICABLE MUST REMAIN WITHIN DIMENSIONS		THIS DRAWING CONTAINS INFORMATION THAT IS PROPRIETARY TO MOLEX INCORPORATED AND SHOULD NOT BE USED WITHOUT WRITTEN PERMISSION			

fb_frame_A3_1_ME_S
Rev. D 2004/04/02

EN-02JA(021)



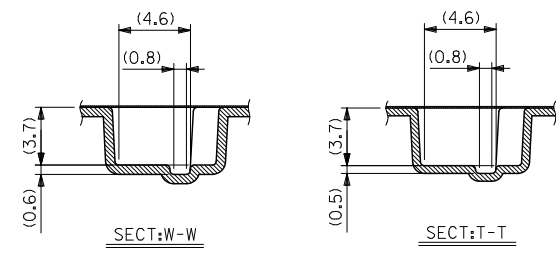
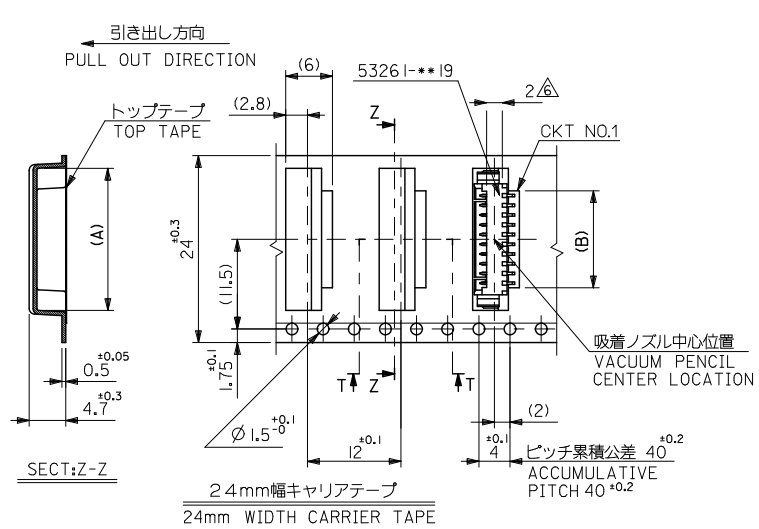
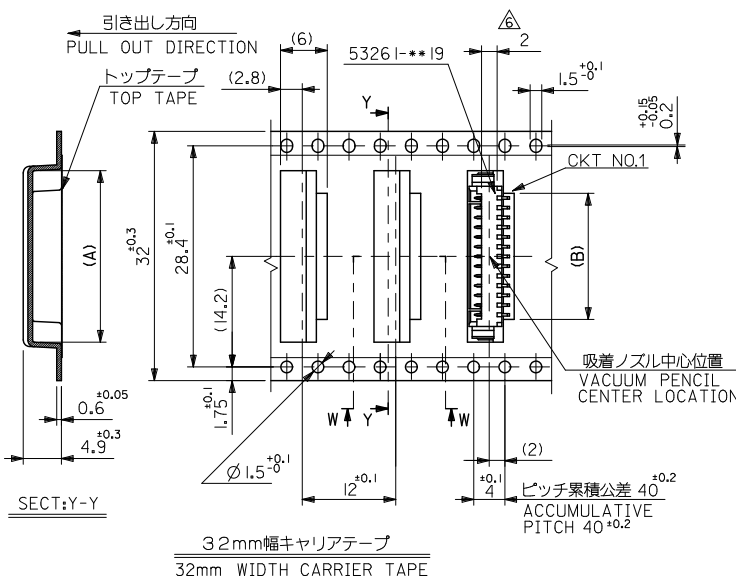
注記 NOTES

- 53261-**-19 の詳細寸法については図面 SD-53261-024 を参照下さい。
RE DETAILED DIMENSIONS, SEE SD-53261-024
- 梱包数量: 1000個/リール
NUMBER OF CONNECTOR: 1000PCS/REEL
- リードテープ長さ LEAD TAPE LENGTH

トップテープリーダ部 TOP TAPE LEADER PART	トップテープ未接着部 TOP TAPE NON-BONDED PART
175 ⁺²⁵	25 ⁺⁵
- 材料 (MATERIAL)
 キャリアテープ (CARRIER TAPE): ポリプロピレン (POLYPROPYLENE)
 トップテープ (TOP TAPE): PET, PE, PEF
 リール (REEL): ポリスチレン (PS) <リサイクル材含む>
 POLYSTYRENE (PS) <RECYCLE MATERIAL CONTAINED>
- コネクタ、ハウジング平面部
CONNECTOR, HOUSING FLAT AREA
- 本製品は 53261-**-90 の鉛フリー品である。
THIS PRODUCT IS LEAD FREE OF 53261-**-90
- ELV 及び RoHS 適合品
ELV AND RoHS COMPLIANT
- 本製品は乾燥剤入り、ハイバリア梱包仕様である。
THIS PRODUCT IS HIGH BARRIER PACKAGE WITH DESICCANT.

16	21.4	17.4	3.7	9.5	53261-0371	3
			2.45	8.25	53261-0271	2
キャリアテープ幅 CARRIER TAPE WIDTH	D	C	B	A	EMBOSSED TAPE PACKAGE オーダー番号 ORDER NO.	種数 CKT.
MODEL NO. 53261-**-71	DIMENSION STYLE MM ONLY		SCALE ---	DESIGN UNITS METRIC	THIRD ANGLE PROJECTION	
REVISED EC NO: D DRAWN BY: DRWNYGOTO CHKD BY: CHYDKASAKANA APPR: [] REV: []	GENERAL TOLERANCES (UNLESS SPECIFIED)		DRAWN BY: H. SHIMABUKUR DATE: '04/02/06 CHECKED BY: K. TOJO DATE: '04/02/06 APPROVED BY: NUKITA DATE: 2010/02/18		TITLE 1.25 W/B CONN WAFER ASSY FOR SMT EMBSTP PKG	
	10 UNDER ±0.2	10 OVER 30 UNDER ±0.25	30 OVER ±0.3	ANGULAR ±3°	MOLEX INCORPORATED	
	DRAFT WHERE APPLICABLE MUST REMAIN WITHIN DIMENSIONS		MATERIAL NO. SEE TABLE & SHEET 2.3	DOCUMENT NO. SD-53261-023	SHEET NO. 1 OF 3	
	THIS DRAWING CONTAINS INFORMATION THAT IS PROPRIETARY TO MOLEX INCORPORATED AND SHOULD NOT BE USED WITHOUT WRITTEN PERMISSION					

10 9 8 7 6 5 4 3 2 1

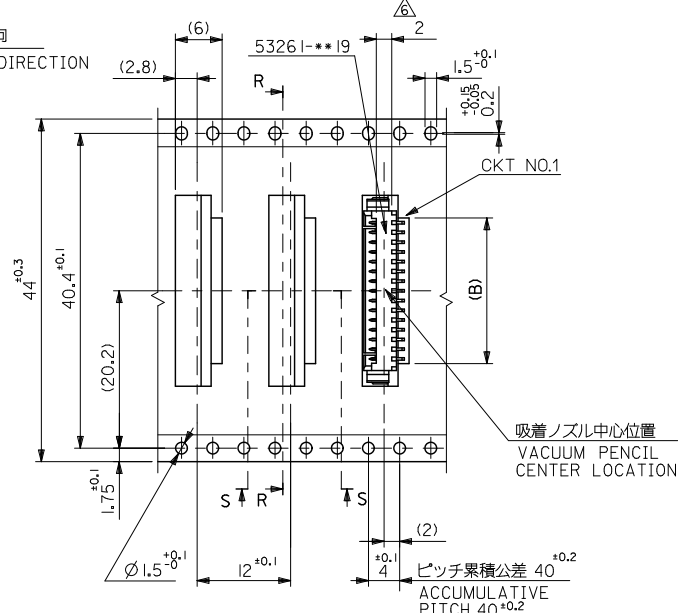
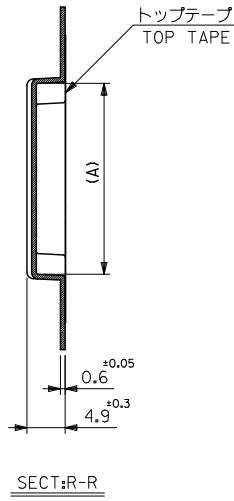


32	37.4	33.4	16.2	22	53261-1371	13
			14.95	20.75		-1271
24	29.4	25.4	13.7	19.5	-1171	11
			12.45	18.25	-1071	10
			11.2	17	-0971	9
			9.95	15.75	-0871	8
			8.7	14.5	-0771	7
			7.45	13.25	-0671	6
			6.2	12	-0571	5
			4.95	10.75	53261-0471	4

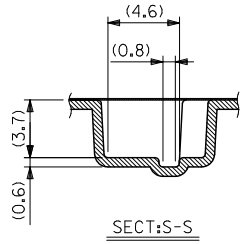
MODEL NO.	53261-***71	キャリアテープ幅 CARRIER TAPE WIDTH	D	C	B	A	EMBOSSED TAPE PACKAGE オーダー番号 ORDER NO.	極数 CKT.
REVISED	2010/02/17	GENERAL TOLERANCES (UNLESS SPECIFIED)	DIMENSION STYLE MM ONLY			SCALE	DESIGN UNITS METRIC	THIRD ANGLE PROJECTION
EC NO:	D	10 UNDER ±0.2	DRAWN BY	H. SHIMABUKUR	DATE	'04/02/06	TITLE 1.25 W/B CONN WAFER ASSY FOR SMT EMBSTP PKG	
DRWNGOTO	CHYDKASAKANA	10 OVER 30 UNDER ±0.25	CHECKED BY	K. TOJO	DATE	'04/02/06	MOLEX INCORPORATED	
APPR:		30 OVER ±0.3	APPROVED BY	NUKITA	DATE	2010/02/18	DOCUMENT NO. SD-53261-023	
REV		ANGULAR ±3°	MATERIAL NO.	SEE TABLE & SHEET 1.3			SHEET NO. 2 OF 3	
		DRAFT WHERE APPLICABLE MUST REMAIN WITHIN DIMENSIONS	SIZE	THIS DRAWING CONTAINS INFORMATION THAT IS PROPRIETARY TO MOLEX INCORPORATED AND SHOULD NOT BE USED WITHOUT WRITTEN PERMISSION				

10 9 8 7 6 5 4 3 2 1

引き出し方向
PULL OUT DIRECTION

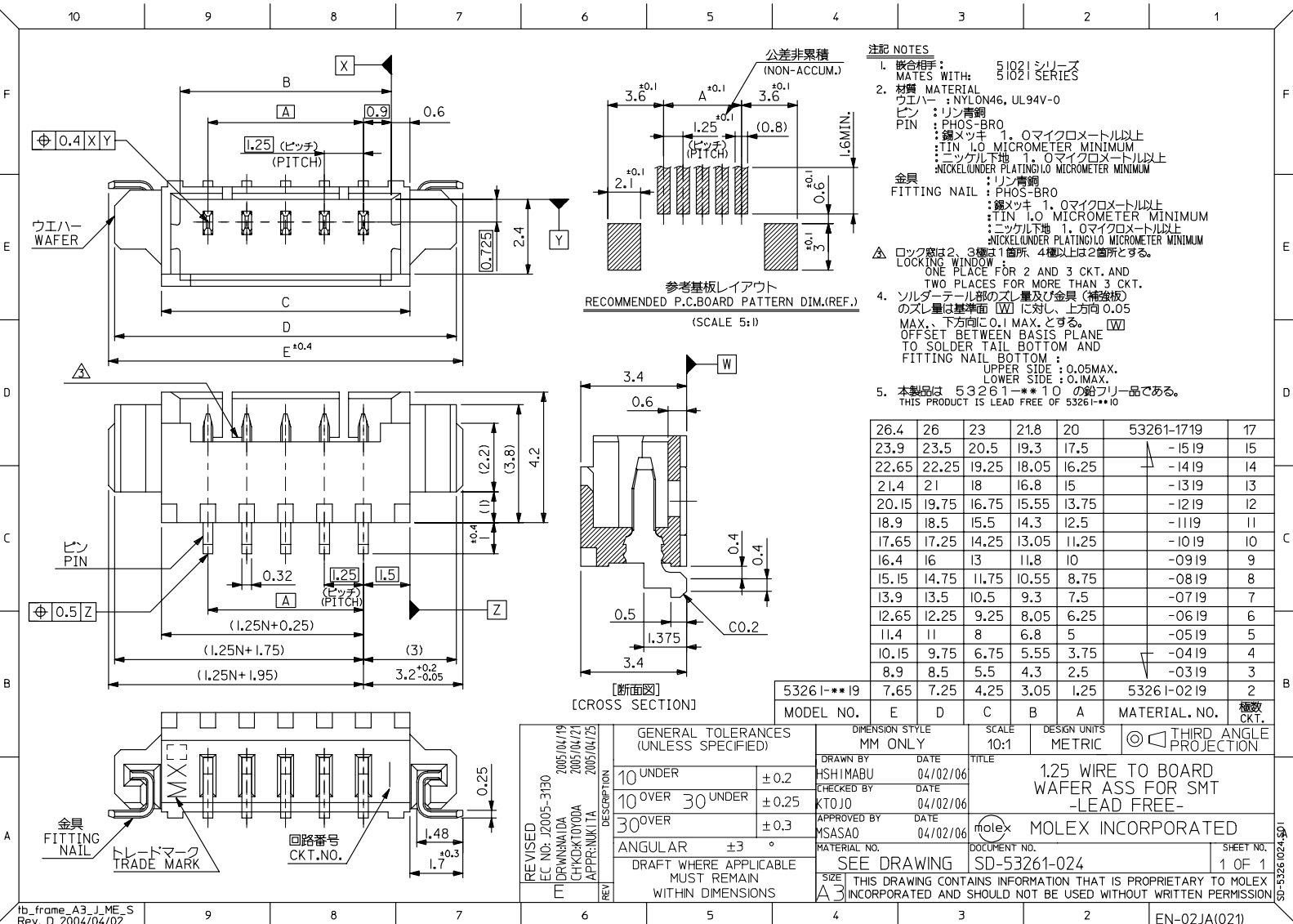


44mm幅キャリアテープ
44mm WIDTH CARRIER TAPE



44	49.4	45.4	18.7	24.5	53261-1571	15
キャリアテープ幅 CARRIER TAPE WIDTH	D	C	B	A	53261-1471	14
MODEL NO.	53261-***71				EMBOSSED TAPE PACKAGE オーダー番号 ORDER NO.	極数 CKT.

REVISED EC NO: D DRWNYGOTO CHKDKASAKAMA APPR: REV:	DESCRIPTION	2010/02/17	GENERAL TOLERANCES (UNLESS SPECIFIED)	DIMENSION STYLE MM ONLY	SCALE ---	DESIGN UNITS METRIC	THIRD ANGLE PROJECTION
	10 UNDER	±0.2	DRAWN BY H. SHIMABUKUR	DATE '04/02/06	TITLE 1.25 W/B CONN WAFER ASSY FOR SMT EMBSTP PKG		
	10 OVER 30 UNDER	±0.25	CHECKED BY K. TOJO	DATE '04/02/06	MOLEX INCORPORATED		
	30 OVER	±0.3	APPROVED BY NUKITA	DATE 2010/02/18	DOCUMENT NO. SD-53261-023		
ANGULAR ±3 °			MATERIAL NO. SEE TABLE & SHEET 12	SHEET NO. 3 OF 3			
DRAFT WHERE APPLICABLE MUST REMAIN WITHIN DIMENSIONS		THIS DRAWING CONTAINS INFORMATION THAT IS PROPRIETARY TO MOLEX INCORPORATED AND SHOULD NOT BE USED WITHOUT WRITTEN PERMISSION					



注記 NOTES

- 嵌合相手: 51021 シリーズ
MATES WITH: 51021 SERIES
- 材質 MATERIAL: NYLON46, UL94V-0
ピン: リン青銅
PIN: PHOS-BRO
: 銅メッキ 1.0マイクromメートル以上
: TIN 1.0 MICROMETER MINIMUM
: ニッケル下地 1.0マイクromメートル以上
: NICKEL UNDER PLATING 1.0 MICROMETER MINIMUM
金具: リン青銅
FITTING NAIL: PHOS-BRO
: 銅メッキ 1.0マイクromメートル以上
: TIN 1.0 MICROMETER MINIMUM
: ニッケル下地 1.0マイクromメートル以上
: NICKEL UNDER PLATING 1.0 MICROMETER MINIMUM
- ロック窓は2, 3個は1箇所、4個以上は2箇所とする。
LOCKING WINDOW: ONE PLACE FOR 2 AND 3 CKT. AND TWO PLACES FOR MORE THAN 3 CKT.
- ソルダーテール部のスリ量及び金具(補強材)のスリ量は基準面(W)に対し、上方0.05 MAX、下方に0.1 MAXとする。(W) OFFSET BETWEEN BASIS PLANE TO SOLDER TAIL BOTTOM AND FITTING NAIL BOTTOM:
UPPER SIDE: 0.05MAX.
LOWER SIDE: 0.1MAX.
- 本製品は 53261-**-**10 の鉛フリー品である。
THIS PRODUCT IS LEAD FREE OF 53261-**-**10

26.4	26	23	21.8	20	53261-1719	17	
23.9	23.5	20.5	19.3	17.5	-1519	15	
22.65	22.25	19.25	18.05	16.25	-1419	14	
21.4	21	18	16.8	15	-1319	13	
20.15	19.75	16.75	15.55	13.75	-1219	12	
18.9	18.5	15.5	14.3	12.5	-1119	11	
17.65	17.25	14.25	13.05	11.25	-1019	10	
16.4	16	13	11.8	10	-0919	9	
15.15	14.75	11.75	10.55	8.75	-0819	8	
13.9	13.5	10.5	9.3	7.5	-0719	7	
12.65	12.25	9.25	8.05	6.25	-0619	6	
11.4	11	8	6.8	5	-0519	5	
10.15	9.75	6.75	5.55	3.75	-0419	4	
8.9	8.5	5.5	4.3	2.5	-0319	3	
53261-**-**19	7.65	7.25	4.25	3.05	1.25	53261-0219	2

REVISED	EC NO. J2005-3130	2005/04/19	GENERAL TOLERANCES (UNLESS SPECIFIED)	DIMENSION STYLE	SCALE	DESIGN UNITS	THIRD ANGLE PROJECTION
DRW:NAIDA	CHK:KTYODA	2005/04/21	10 UNDER ±0.2	MM ONLY	10:1	METRIC	
APP:NIKIITA	2005/04/25		10 OVER 30 UNDER ±0.25	DRAWN BY	DATE	TITLE	
			30 OVER ±0.3	HSHIMABU	04/02/06	1.25 WIRE TO BOARD WAFER ASS FOR SMT -LEAD FREE-	
			ANGULAR ±3 °	CHECKED BY	DATE		
			DRAFT WHERE APPLICABLE MUST REMAIN WITHIN DIMENSIONS	KTOJO	04/02/06		
				APPROVED BY	DATE		
				MSASAO	04/02/06		
				MATERIAL NO.			
				SEE DRAWING			
				SIZE			
				A3			
				THIS DRAWING CONTAINS INFORMATION THAT IS PROPRIETARY TO MOLEX INCORPORATED AND SHOULD NOT BE USED WITHOUT WRITTEN PERMISSION			
				DOCUMENT NO.			
				SD-53261-024			
				SHEET NO.			
				1 OF 1			