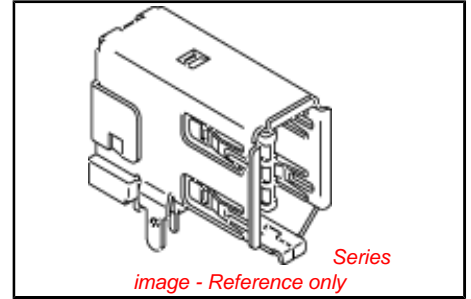


PLEASE CHECK WWW.MOLEX.COM FOR LATEST PART INFORMATION

Part Number: [0534600629](#)
Status: **Active**
Overview: [ieee_1394](#)
Description: 2.00mm (.079") Pitch IEEE 1394-1995 Shielded I/O PCB Socket, Right Angle, Upright, Lead-free, with Kinked Solder Tabs

Documents:

- | | |
|--|--|
| 3D Model | Product Specification PS-54030-032 (PDF) |
| Drawing (PDF) | Product Specification PS-54030-033 (PDF) |
| Product Specification PS-51145-001 (PDF) | Product Specification PS-54030-035 (PDF) |
| Product Specification PS-53460-001 (PDF) | Product Specification PS-54030-036 (PDF) |
| Product Specification PS-53460-002 (PDF) | Product Specification PS-54030-038 (PDF) |
| Product Specification PS-53460-003 (PDF) | Product Specification PS-54030-039 (PDF) |
| Product Specification PS-53460-005 (PDF) | Product Specification PS-59205-209 (PDF) |
| Product Specification PS-53460-006 (PDF) | RoHS Certificate of Compliance (PDF) |
| Product Specification PS-54030-010 (PDF) | |



Agency Certification

CSA	LR19980
UL	E29179

General

Product Family	I/O Connectors
Series	53460
Application	Wire-to-Board
Component Type	Receptacle
Overview	ieee_1394
Product Name	IEEE 1394
Type	N/A

Physical

Boot Color	N/A
Circuits (Loaded)	6
Circuits (maximum)	6
Color - Resin	Black
Flammability	94V-0
Gender	Male
Lock to Mating Part	Yes
Material - Plating Mating	Gold
Material - Plating Termination	Tin
Material - Resin	High Temperature Thermoplastic
Number of Rows	3
Orientation	Right Angle
PC Tail Length (in)	0.118 In
PC Tail Length (mm)	3.00 mm
PCB Locator	Yes
PCB Retention	Yes
PCB Thickness Recommended (in)	0.063 In
PCB Thickness Recommended (mm)	1.60 mm
Packaging Type	Tray
Panel Mount	No
Pitch - Mating Interface (in)	0.079 In
Pitch - Mating Interface (mm)	2.00 mm
Pitch - Term. Interface (in)	0.079 In
Pitch - Term. Interface (mm)	2.00 mm
Pitching min: Mating (µin)	30.4

EU RoHS

ELV and RoHS Compliant
REACH SVHC
 Not Reviewed
Halogen-Free Status
 Not Reviewed

China RoHS



Need more information on product environmental compliance?

Email productcompliance@molex.com
 For a multiple part number RoHS Certificate of Compliance, [click here](#)

Please visit the [Contact Us](#) section for any non-product compliance questions.

Search Parts in this Series
[53460Series](#)

Mates With
[59233-0xxx|59233-3xxx|59233-5xxx|](#)
[59233-7xxx|59233-6xxx](#)

Plating min: Mating (µm)	0.76
Plating min: Termination (µin)	122
Plating min: Termination (µm)	3.05
Polarized to Mating Part	Yes
Polarized to PCB	Yes
Ports	1
Surface Mount Compatible (SMC)	Yes
Temperature Range - Operating	-40°C to +85°C
Termination Interface: Style	Through Hole
Waterproof / Dustproof	No
Wire Size AWG	N/A

Electrical

Current - Maximum per Contact	1.5A
Shield Type	Full Shield
Shielded	Yes
Voltage - Maximum	40V

Material Info

Reference - Drawing Numbers

Application Specification	AS-51145-001
Product Specification	PS-51145-001, PS-53460-001, PS-53460-002, PS-53460-003, PS-53460-005, PS-53460-006, PS-54030-010, PS-54030-032, PS-54030-033, PS-54030-035, PS-54030-036, PS-54030-038, PS-54030-039, PS-59205-209, RPS-51145-001, RPS-53460-002, RPS-53460-019, RPS-54030-028, RPS-54030-038
Sales Drawing	SD-53460-019, SD-53460-0621

This document was generated on 06/07/2010

PLEASE CHECK WWW.MOLEX.COM FOR LATEST PART INFORMATION

DWG. NO. SD-53460-019

F

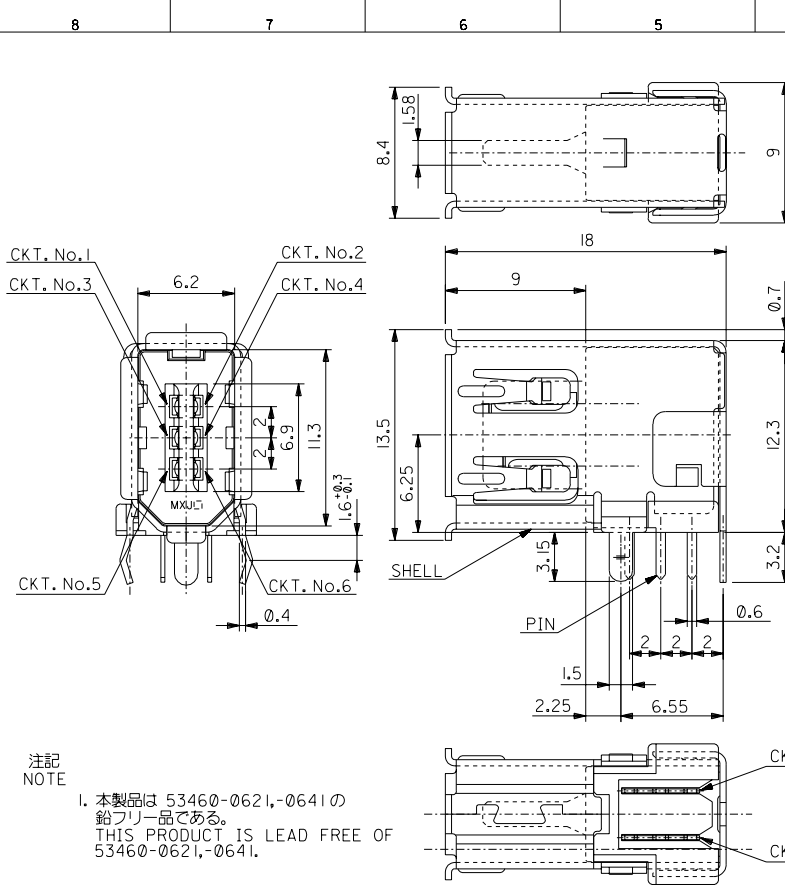
E

D

C

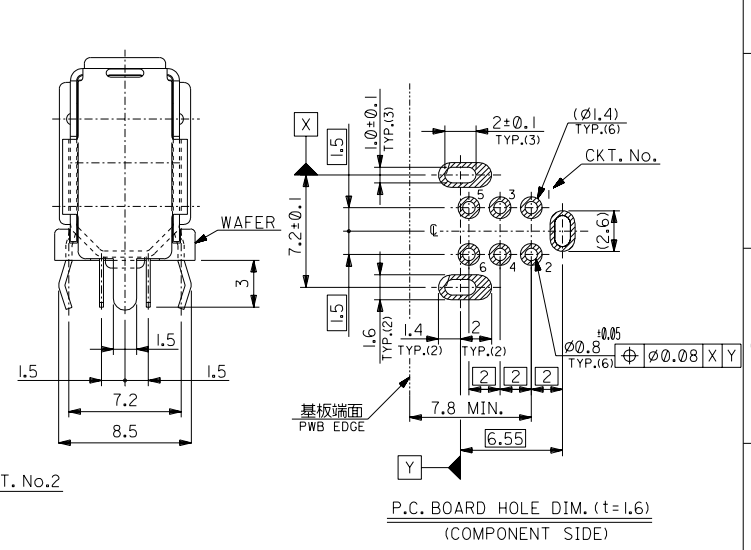
B

DO NOT SCALE DRAWING



注記
NOTE
1. 本製品は 53460-0621,-0641 の鉛フリー品である。
THIS PRODUCT IS LEAD FREE OF 53460-0621,-0641.

部品名 PARTS NAME	材質 MATERIAL	注記 NOTES
ウエハー WAFER	ガラス入り46ナイロン NYLON46 G.F.	G.F.30%, UL94V-0, 色:黒 G.F.30%, UL94V-0, COLOR : BLACK
ピン PIN	黄銅 t0.25 BRASS t0.25	接点部 : 金メッキ 0.76 MICROMETER MIN. CONTACT AREA : GOLD 0.76 MICROMETER MIN. 半田付け部 : 錫メッキ 1.0 MICROMETER MIN. SOLDER TAIL AREA : TIN 1.0 MICROMETER MIN. 下地メッキ : ニッケルメッキ 2.0 MICROMETER MIN. UNDER-PLATING : NICKEL 2.0 MICROMETER MIN.
シェル SHELL	りん青銅 t0.4 PHOSPHOR BRONZE t0.4	錫メッキ : 1.0 MICROMETER MIN. TIN : 1.0 MICROMETER MIN. 下地メッキ : ニッケルメッキ 1.27 MICROMETER MIN. UNDER-PLATING : NICKEL 1.27 MICROMETER MIN.



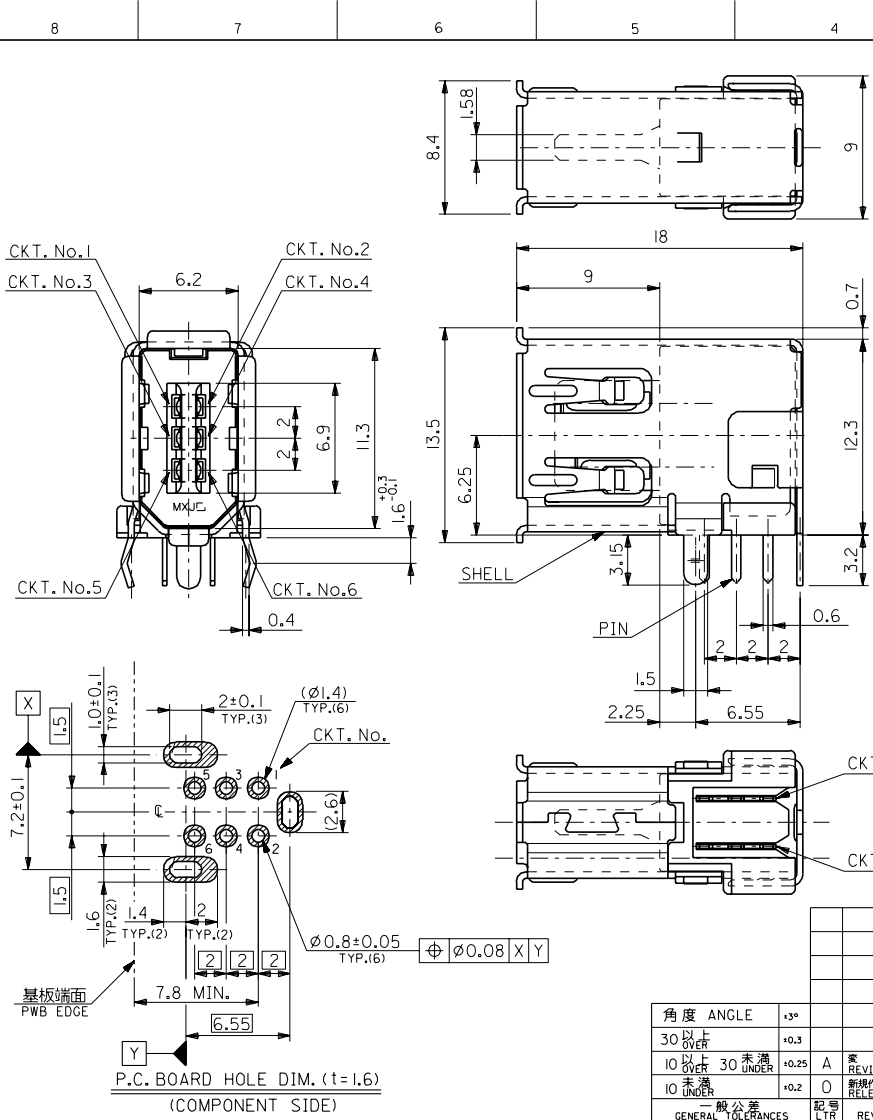
EC NO.	DRWN:	CHK:	APPR:	EC NO.	DRWN:	CHK:	APPR:	EC NO.	DRWN:	CHK:	APPR:	EC NO.	DRWN:	CHK:	APPR:	REV	DESCRIPTION	WIRE RANGE 適用電線範囲	INS. RANGE 被覆外径	GENERAL TOLERANCES: (UNLESS SPECIFIED) 一般公差	SCALE	MODEL NO.	DESIGN UNITS	THIRD ANGLE PROJECTION	TITLE:	CAD FILENAME	MATERIAL NO.	DRAWING NO.	SHEET NO.	SIZE	
																0	RELEASED EC NO. J2004-4243 DRWN: Y.WADA '04/05/14 CHK: M.SASAO '04/05/14 APPR: M.SASAO '04/05/14			10 UNDER 未満 +0.2 10 OVER 以上 30 UNDER 未満 +0.25 30 OVER 以上 +0.3	4:1	53460-0629	mm	<input checked="" type="checkbox"/> THIRD ANGLE <input type="checkbox"/> FIRST ANGLE	2.0 I/O CONN. SOCKET RIGHT-ANGLE UPRIGHT WITH KINK -LEAD FREE-	SD-53460-019.S01	53460-0629	SD-53460-019	6	1 OF 1	B

THIS DRAWING CONTAINS INFORMATION THAT IS PROPRIETARY TO MOLEX INCORPORATED AND SHOULD NOT BE USED WITHOUT WRITTEN PERMISSION.

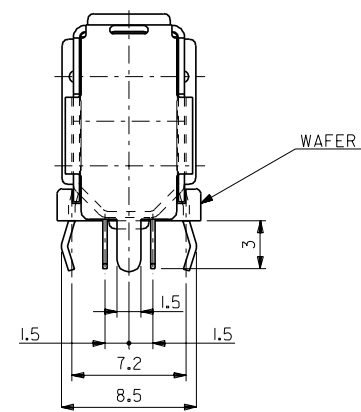
EN-02J(097) MXJ-54

DWG. NO. SD-53460-0621

DIMENSIONS IN METRIC DO NOT SCALE DRAWING



部品名 PARTS NAME	材質 MATERIAL	注記 NOTES
ウエハー WAFER	ガラス入り46ナイロン NYLON46 G.F.	G.F.30%, UL94V-0, 色:黒 G.F.30%, UL94V-0, COLOR: BLACK
ピン PIN	黄銅 t0.25 BRASS t0.25	接点部: 金メッキ0.76 μmMIN. CONTACT AREA: GOLD 0.76 μmMIN. 半田付け部: 半田メッキ3 μmMIN. SOLDER TAIL AREA: TIN-LEAD 3 μmMIN. 下地メッキ: ニッケルメッキ2 μmMIN. UNDER-PLATING: NICKEL 2 μmMIN.
シェル SHELL	りん青銅 t0.4 PHOSPHOR BRONZE t0.4	半田メッキ: 3~6 μm TIN-LEAD: 3~6 μm 下地メッキ: ニッケルメッキ1.27 μmMIN. UNDER-PLATING: NICKEL 1.27 μmMIN.



角度 ANGLE	+3°	材料 MATERIAL	表参照 SEE TABLE	MOLEX-JAPAN CO.,LTD. 日本モレックス株式会社 REVISE ONLY ON CAD SYSTEM TITLE 名称 2.0 I/O CONN. SOCKET RIGHT-ANGLE UPRIGHT WITH KINK DWG. NO. SD-53460-0621 REV A
30以上 OVER	+0.3	仕上げ FINISH	表参照 SEE TABLE	
10以上 未満	+0.25	適用電線範囲 WIRE RANGE	—	
10未満	+0.2	被覆外径 INS. RANGE	—	
一般公差 GENERAL TOLERANCES		記号 LTR	変更内容 REVISION RECORD	
		DR. / CHK.	DATE	
		APP'D BY	DATE	
		M. FUKUSHIMA	98/11/2	
			98/11/2	
			98/11/2	

THIS DRAWING CONTAINS INFORMATION THAT IS PROPRIETARY TO MOLEX/JAPAN AND SHOULD NOT BE USED WITHOUT WRITTEN PERMISSION
 本図面は日本モレックス(株)の所有する情報を含むもので、当社の許可なく複製を禁止する。
 EN-01C1032)MXJ-32