

PLEASE CHECK WWW.MOLEX.COM FOR LATEST PART INFORMATION

Part Number: [0532530470](#)
Status: **Active**
Overview: [microlatch](#)
Description: 2.00mm (.079") Pitch Micro-Latch™ Wire-to-Board Header, Vertical, Square Pin, Three-sided Shroud, Lead-free, 4 Circuits

Documents:

[3D Model](#) [Product Specification PS-51065-016 \(PDF\)](#)
[Drawing \(PDF\)](#) [RoHS Certificate of Compliance \(PDF\)](#)

Agency Certification

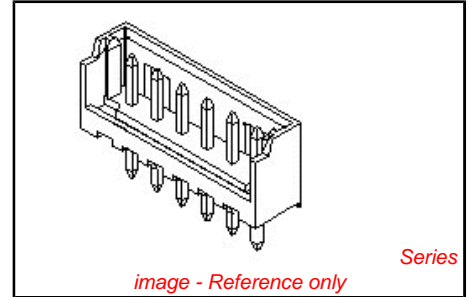
CSA LR19980
 UL E29179

General

Product Family PCB Headers
 Series 53253
 Application Wire-to-Board
 MolexKits Yes
 Overview [microlatch](#)
 Product Name Micro-Latch™

Physical

Breakaway No
 Circuits (Loaded) 4
 Durability (mating cycles max) 30
 First Mate / Last Break No
 Flammability 94V-0
 Glow-Wire Compliant No
 Lock to Mating Part Yes
 Material - Metal Brass
 Material - Plating Mating Tin
 Material - Plating Termination Tin
 Material - Resin Nylon
 Number of Rows 1
 Orientation Vertical
 PC Tail Length (in) 0.138 In
 PC Tail Length (mm) 3.50 mm
 PCB Locator No
 PCB Retention Yes
 PCB Thickness Recommended (in) 0.062 In
 PCB Thickness Recommended (mm) 1.60 mm
 Packaging Type Tray
 Pitch - Mating Interface (in) 0.079 In
 Pitch - Mating Interface (mm) 2.00 mm
 Plating min: Mating (µin) 40
 Plating min: Mating (µm) 1.00
 Plating min: Termination (µin) 40
 Plating min: Termination (µm) 1.00
 Polarized to Mating Part Yes
 Polarized to PCB No
 Shrouded Partial
 Stackable No
 Surface Mount Compatible (SMC) No
 Temperature Range - Operating -40°C to +105°C
 Termination Interface: Style Through Hole



<p>EU RoHS ELV and RoHS Compliant REACH SVHC Contains SVHC: No Halogen-Free Status Not Halogen-Free</p>	<p>China RoHS</p>
--	--------------------------

Need more information on product environmental compliance?

Email productcompliance@molex.com
 For a multiple part number RoHS Certificate of Compliance, [click here](#)

Please visit the [Contact Us](#) section for any non-product compliance questions.

Search Parts in this Series
[53253Series](#)

Mates With
 51065 Crimp Housing. 50212 Crimp Terminal

Electrical

Current - Maximum per Contact 2A
Voltage - Maximum 125V

Material Info**Reference - Drawing Numbers**

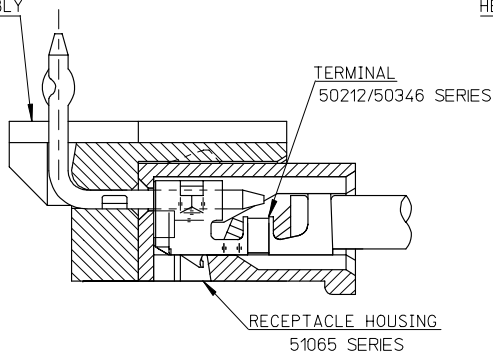
Packaging Specification SPK-53253-001
Product Specification PS-51065-016, RPS-51065-001, RPS-51065-006,
RPS-51065-007, RPS-51065-013, RPS-51065-015,
RPS-51065-023, RPS-51065-026, RPS-51065-027,
RPS-51065-028, RPS-51065-030
Sales Drawing SD-51065-006, SD-53253-001

This document was generated on 06/07/2010

PLEASE CHECK WWW.MOLEX.COM FOR LATEST PART INFORMATION

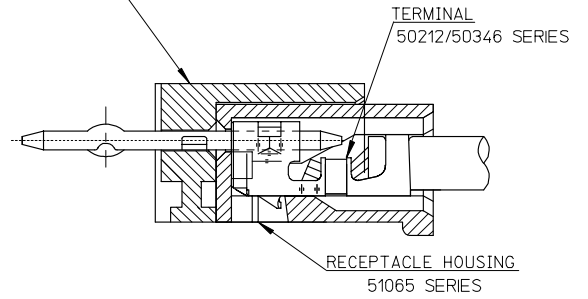
10 9 8 7 6 5 4 3 2 1

HEADER HOUSING ASSEMBLY
53254SERIES

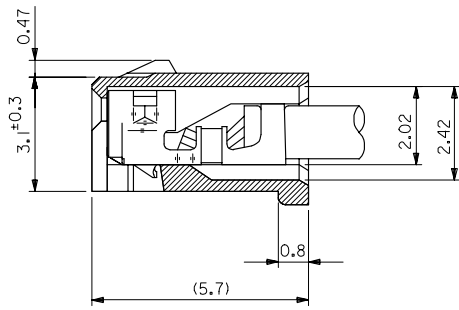


51065シリーズ/53254シリーズ 嵌合状態図 参考
51065 SERIES/53254 SERIES MATED DRAWING (REF.)

HEADER HOUSING ASSEMBLY
53253SERIES



51065シリーズ/53253シリーズ 嵌合状態図 参考
51065 SERIES/53253 SERIES MATED DRAWING (REF.)



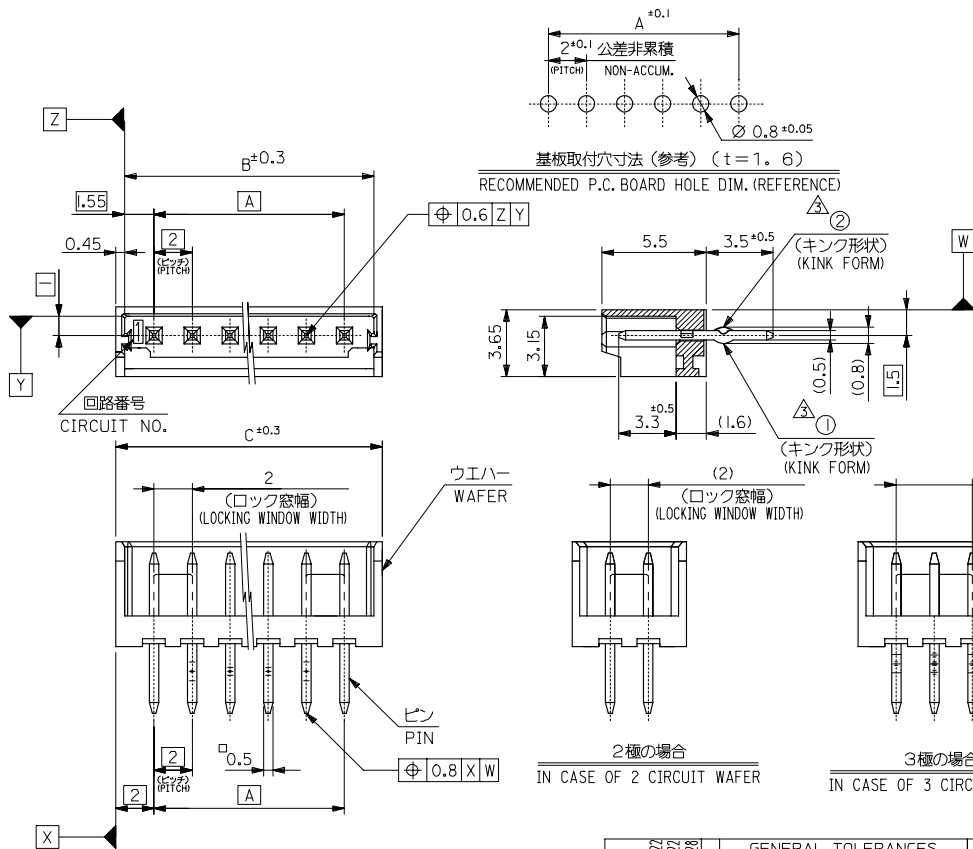
ターミナル装着状態図
TERMINAL ASS'Y DWG.

RELEASED EC NO: J2008-2041 DRWN: AOYAGI 2007/11/13 CHKD: HARUYAMA 2007/11/22 APPR: NUKITA 2007/11/22	GENERAL TOLERANCES (UNLESS SPECIFIED)		DIMENSION STYLE MM ONLY		SCALE 10:1	DESIGN UNITS METRIC	THIRD ANGLE PROJECTION
	10 UNDER	± 0.2	DRAWN BY Y. AOYAGI	DATE 2007/11/13	TITLE NEW 2.0 W/B CONN. 51065/53253OR51065/53254 MOLEX INCORPORATED DOCUMENT NO. SD-51065-006 SHEET NO. 1 OF 1		
	10 OVER 30 UNDER	± 0.25	CHECKED BY N. UKITA	DATE 2007/11/13			
	30 OVER	± 0.3	APPROVED BY N. UKITA	DATE 2007/11/13			
	ANGULAR	± 1 °	MATERIAL NO.		SEE TABLE		
DRAFT WHERE APPLICABLE MUST REMAIN WITHIN DIMENSIONS		SIZE A3	THIS DRAWING CONTAINS INFORMATION THAT IS PROPRIETARY TO MOLEX INCORPORATED AND SHOULD NOT BE USED WITHOUT WRITTEN PERMISSION				

fb_frame_A3_1_ME_S
Rev. E 2006/04/15

9 8 7 6 5 4 3 2 1 EN-02JA(021)

10 9 8 7 6 5 4 3 2 1



注記 NOTES

1. 嵌合相手: 51065 シリーズ
MATE WITH: 51065 SERIES
 2. 材質 MATERIAL
ウエハー: 66ナイロン, UL94V-0
WAFER: 66NYLON, UL94V-0
ピン: 黄銅, 錫メッキ
PIN: BRASS, TIN(Sn) PLATING
 - △ キングは下記表の位置及び形状に付加のこと。2極はキング無し。
KINK TO BE APPLIED AS FOLLOWS, 2 CIRCUIT HAS NO KINK.
- | 極数 | CKT | 回路番号 | 1 | 2 | 3 | 4 | 5 | N-2 | N-1 | N |
|-------|-------------|------|---|---|---|---|---|-----|-----|---|
| 6 極以上 | MORE THAN 6 | CKT | — | ① | ② | — | — | ② | ① | — |
| 5 極 | 5 | CKT | ① | ② | — | ② | ① | — | — | — |
| 4 極 | 4 | CKT | ① | ② | ① | — | — | — | — | — |
| 3 極 | 3 | CKT | ① | ② | ① | — | — | — | — | — |
4. 本製品は、53253-**10の鉛フリー品です。
THIS PRODUCT IS LEAD FREE OF 53253-**10.
 5. 梱包仕様 PACKAGING
53253-**70 トレー TRAY
53253-**50 ホリ袋 POLYBAG

32	31.1	28	53253-1550	53253-1570	15
30	29.1	26	-1450	-1470	14
28	27.1	24	-1350	-1370	13
26	25.1	22	-1250	-1270	12
24	23.1	20	-1150	-1170	11
22	21.1	18	-1050	-1070	10
20	19.1	16	-0950	-0970	9
18	17.1	14	-0850	-0870	8
16	15.1	12	-0750	-0770	7
14	13.1	10	-0650	-0670	6
12	11.1	8	-0550	-0570	5
10	9.1	6	-0450	-0470	4
8	7.1	4	-0350	-0370	3
6	5.1	2	53253-0250	53253-0270	2
C	B	A	MATERIAL NO.	MATERIAL NO.	極数
			MODEL NO. 53253-**70/**50		

GENERAL TOLERANCES (UNLESS SPECIFIED)		DIMENSION STYLE		SCALE	DESIGN UNITS	THIRD ANGLE PROJECTION	
		MM ONLY		5:1	METRIC	☑	
10 UNDER	±0.2	DRAWN BY	DATE	TITLE			
10 OVER 30 UNDER	±0.25	T. TSUBOI	'04/01/15	NEW 2.0 WIRE TO BOARD			
30 OVER	±0.3	CHECKED BY	DATE	CONN. WAFER ASSY (ST.)			
ANGULAR	±3 °	S. MARUYAMA	'04/01/15	-LEAD FREE-			
DRAFT WHERE APPLICABLE MUST REMAIN WITHIN DIMENSIONS		APPROVED BY	DATE	MOLEX INCORPORATED			
		M. SASAO	'04/01/15	DOCUMENT NO.		SHEET NO.	
		SEE CHART		SD-53253-001		1 OF 1	
		THIS DRAWING CONTAINS INFORMATION THAT IS PROPRIETARY TO MOLEX INCORPORATED AND SHOULD NOT BE USED WITHOUT WRITTEN PERMISSION					