

PLEASE CHECK WWW.MOLEX.COM FOR LATEST PART INFORMATION

Part Number: [0528080570](#)
Status: **Active**
Overview:
Description: 1.00mm (.039") Pitch FFC/FPC Connector, SMT, Vertical, Non-ZIF Receptacle, 5 Circuits, Lead-free

Agency Certification

UL E29179

General

Product Family FFC/FPC Connectors
 Series [52808](#)
 Overview [ffc_fpc_smt](#)
 Product Name N/A

Physical

Circuits (Loaded) 5
 Circuits (maximum) 5
 Color - Resin Natural
 Contact Position N/A
 Durability (mating cycles max) 10
 Entry Angle N/A
 Flammability 94V-0
 Mated Height (in) 0.199 In
 Mated Height (mm) 5.05 mm
 Material - Metal Phosphor Bronze
 Material - Plating Mating Tin-Bismuth
 Material - Plating Termination Tin-Bismuth
 Material - Resin High Temperature Thermoplastic
 Number of Rows 1
 Orientation Vertical
 PCB Locator No
 PCB Retention None
 Packaging Type Embossed Tape on Reel
 Pitch - Mating Interface (in) 0.039 In
 Pitch - Mating Interface (mm) 1.00 mm
 Pitch - Term. Interface (in) 0.039 In
 Pitch - Term. Interface (mm) 1.00 mm
 Plating min: Mating (µin) 40
 Plating min: Mating (µm) 1
 Plating min: Termination (µin) 40
 Plating min: Termination (µm) 1
 Polarized to PCB No
 Stackable No
 Surface Mount Compatible (SMC) Yes
 Temperature Range - Operating -20°C to +80°C
 Termination Interface: Style Surface Mount
 Wire/Cable Type FFC/FPC

Electrical

Current - Maximum per Contact 0.5A
 Voltage - Maximum 125V AC (RMS)/DC

Material Info

Reference - Drawing Numbers

Packaging Specification SPK-52808-001

EU RoHS
ELV and RoHS
Compliant
REACH SVHC
Contains SVHC: No
Halogen-Free
Status
Not Reviewed

China RoHS



Need more information on product environmental compliance?

Email productcompliance@molex.com
 For a multiple part number RoHS Certificate of Compliance, [click here](#)

Please visit the [Contact Us](#) section for any non-product compliance questions.

Search Parts in this Series
[52808Series](#)

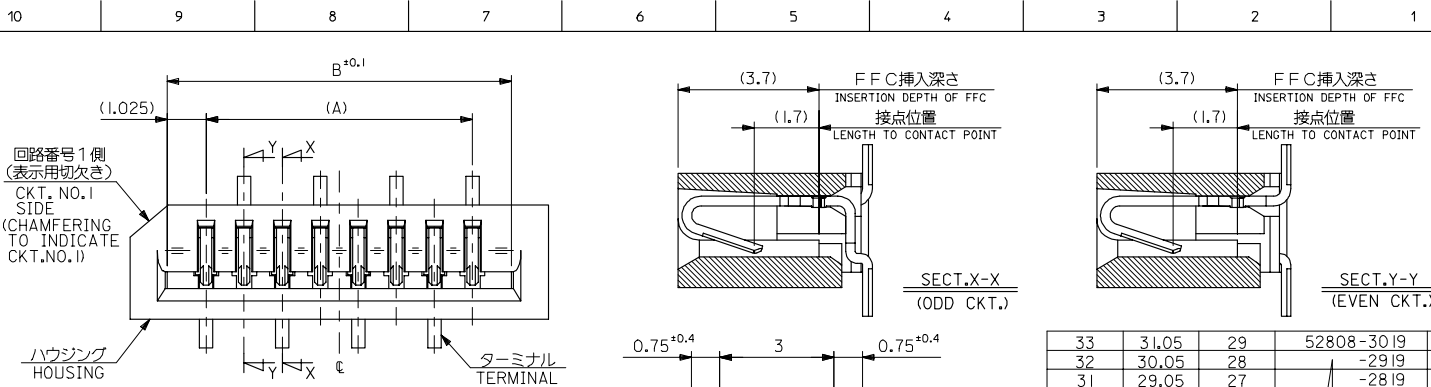
Product Specification

Sales Drawing

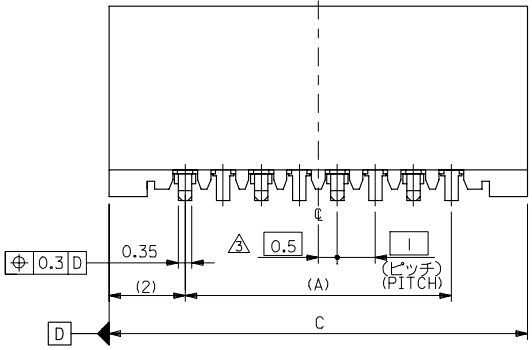
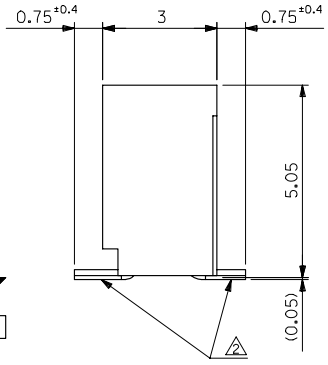
PS-52808-004, RPS-52808-039, RPS-52808-044,
RPS-52808-045, RPS-52808-047, RPS-52808-048,
RPS-52808-049
SD-52808-027, SD-52808-028

This document was generated on 06/05/2010

PLEASE CHECK WWW.MOLEX.COM FOR LATEST PART INFORMATION

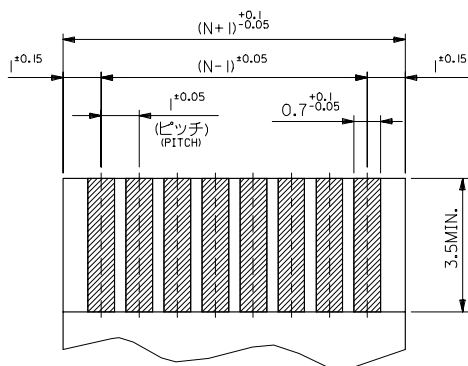


33	31.05	29	52808-3019	30
32	30.05	28	-2919	29
31	29.05	27	-2819	28
30	28.05	26	-2719	27
29	27.05	25	-2619	26
28	26.05	24	-2519	25
27	25.05	23	-2419	24
26	24.05	22	-2319	23
25	23.05	21	-2219	22
24	22.05	20	-2119	21
23	21.05	19	-2019	20
22	20.05	18	-1919	19
21	19.05	17	-1819	18
20	18.05	16	-1719	17
19	17.05	15	-1619	16
18	16.05	14	-1519	15
17	15.05	13	-1419	14
16	14.05	12	-1319	13
15	13.05	11	-1219	12
14	12.05	10	-1119	11
13	11.05	9	-1019	10
12	10.05	8	-0919	9
11	9.05	7	-0819	8
10	8.05	6	-0719	7
9	7.05	5	-0619	6
8	6.05	4	-0519	5
7	5.05	3	52808-0419	4

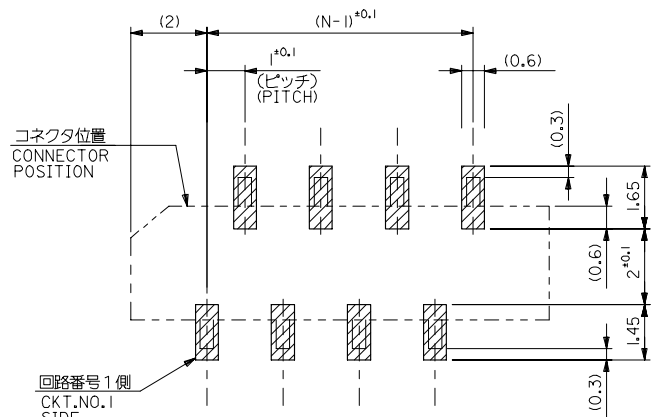


- 注記 NOTES:
1. 使用材料 MATERIAL
 ハウジング: PPS,UL94V-0 HOUSING :PPS,UL94V-0
 ターミナル: リン青銅 (±0.25) TERMINAL :PHOSPHOR BRONZE
 メッキ: ニッケル下地鍍ビスマスメッキ PLATING :TIN-BISMUTH OVER NICKEL
 2. 基準面 [E] からのハンダテールの半田付け面のズレ量は、
 上方向に0.1MAX. 下方向0.15MAX. とする。
 MISALIGNMENT OF SOLDER TAIL FROM [E]
 : UPPER DIRECTION 0.1 MAX. , LOWER DIRECTION 0.15 MAX.
 3. 偶数極に適用。
 APPLY FOR EVEN CKT.
 4. 本製品は52808-***10の鉛フリー品である。
 THIS PRODUCT IS LEAD FREE OF 52808-***10

REVISED EC NO. J2006-1497 DRAWN MABEI 2005/11/04 CHKD KTOYODA 2005/11/07 APPR. NUKITA 2005/11/11	GENERAL TOLERANCES (UNLESS SPECIFIED)		DIMENSION STYLE MM ONLY		SCALE --- DESIGN UNITS METRIC	THIRD ANGLE PROJECTION	TITLE 1.0 FFC CONN. NON ZIF SMT. ST. -LEAD FREE-
	10 UNDER	±0.2	DRAWN BY M.NABEI	DATE '04/02/19			
	10 OVER 30 UNDER	±0.25	CHECKED BY M.SASAO	DATE '04/02/19			
	30 OVER	±0.3	APPROVED BY M.SASAO	DATE '04/02/19			
ANGULAR ±3 °		MATERIAL NO. SEE CHART		DOCUMENT NO. SD-52808-027		SHEET NO. 1 OF 1	
DRAFT WHERE APPLICABLE MUST REMAIN WITHIN DIMENSIONS		THIS DRAWING CONTAINS INFORMATION THAT IS PROPRIETARY TO MOLEX INCORPORATED AND SHOULD NOT BE USED WITHOUT WRITTEN PERMISSION					



(仕上がり厚さ) 0.3^{+0.03}
THICKNESS
適合FPC推奨寸法
APPLICABLE FPC
RECOMMENDED DIMENSION.



参考基板レイアウト (マウント面)
RECOMMENDED P.C. BOARD
PATTERN DIMENSION. (REF.)
(MOUNTING AREA)

FPCについて:

- 打抜き方向は、導体側から補強板側を推奨いたします。
- 補強フィルム材質は、ポリイミドを推奨いたします。
- 接着剤は、熱硬化接着剤を推奨いたします。

ABOUT FPC:

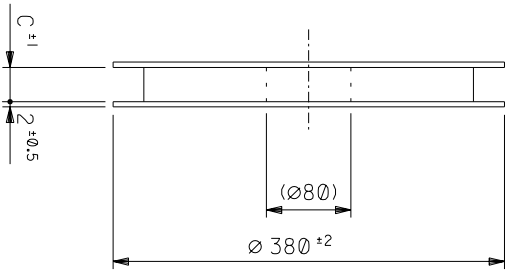
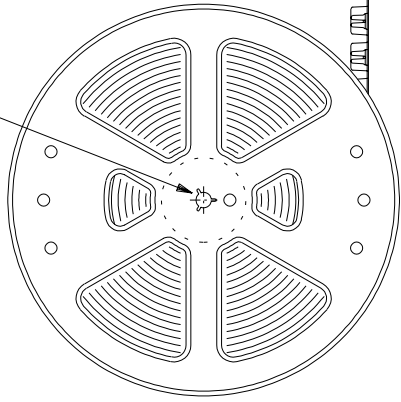
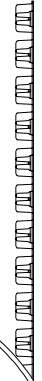
RECOMMENDED PUNCHER DIRECTION: FROM CONDUCTOR SIDE TO STIFFENER BOARD SIDE.

RECOMMENDED MATERIAL:

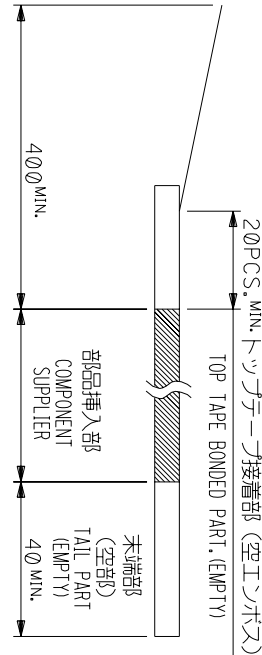
STIFFENER FILM: POLYIMIDE
BONDING AGENT: THERMOSETTING BONDING AGENT

REVISED EC NO. J2006-1497 DRAWN M. NABEI CHKD K. YODA APP. N. KITA 2005/11/04 2005/11/07 2005/11/11	GENERAL TOLERANCES (UNLESS SPECIFIED)		DIMENSION STYLE MM ONLY		SCALE ---	DESIGN UNITS METRIC	THIRD ANGLE PROJECTION
	10 UNDER	± 0.2	DRAWN BY M. NABEI	DATE '04/02/19	TITLE 1.0 FFC CONN. NON ZIF SMT. ST. -LEAD FREE-		
	10 OVER 30 UNDER	± 0.25	CHECKED BY M. SASAO	DATE '04/02/19			
	30 OVER	± 0.3	APPROVED BY M. SASAO	DATE '04/02/19	MOLEX INCORPORATED		
ANGULAR	± 3 °	DRAFT WHERE APPLICABLE MUST REMAIN WITHIN DIMENSIONS		MATERIAL NO. SEE CHART	DOCUMENT NO. SD-52808-027	SHEET NO. 2 OF 2	
THIS DRAWING CONTAINS INFORMATION THAT IS PROPRIETARY TO MOLEX INCORPORATED AND SHOULD NOT BE USED WITHOUT WRITTEN PERMISSION							

引き出し方向
PULL OUT



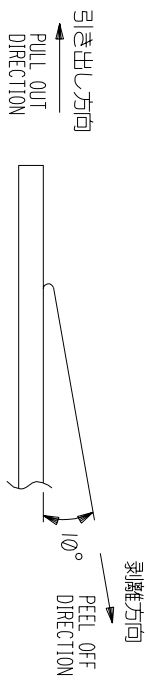
引き出し方向
PULL OUT DIRECTION



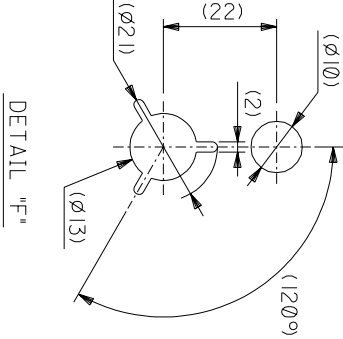
NOTES

- 製品詳細寸法については図面 SD-52808-027 を参照下さい。
RE DETAILED DIMENSION, SEE SD-52808-027
- 梱包数量: 1000個/リール
NUMBER OF CONNECTORS: 1000PCS/REEL
- リールテープ長さ LEAD TAPE LENGTH
20PCS. MIN. トッパテープ接着部 (空エンプティ)

4. トッパテープの剥離強度: 0.1 ~ 1.3N (10 ~ 130gf)
(剥離方向は下図参照)
尚、本規格値は出荷時に適用。(但し、輸送時に剥離が発生しないこと。)
PEELING OFF FORCE OF TOP TAPE: 0.1 ~ 1.3N (10 ~ 130gf)
(PEELING DIRECTION AS SHOWN IN FOLLOWING FIG.)
THIS REQUIREMENT SHOULD BE APPLIED AT SHIPMENT.
PEEL OFF SHOULD NOT BE ALLOWED, DURING TRANSPORTATION.



- 材料(MATERIAL)
キャリアテープ(CARRIER TAPE): ポリプロピレン(POLYPROPYLENE)
トッパテープ(TOPTAPE): PET, PE, PEF
リール(REELE): ポリスチレン(PS) <リサイクル材を含む>
POLYSTYRENE(PS) RECYCLE MATERIAL CONTAINED>
- 本製品は52808-**-90の鉛フリー品である。
THIS PRODUCT IS LEAD FREE OF 52808-**-90

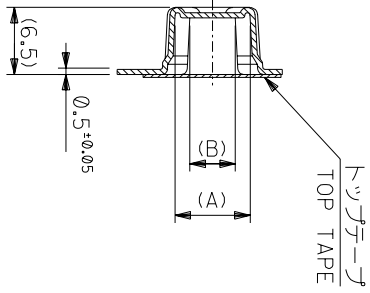


DETAIL "F"

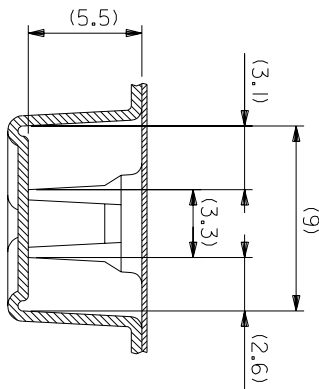
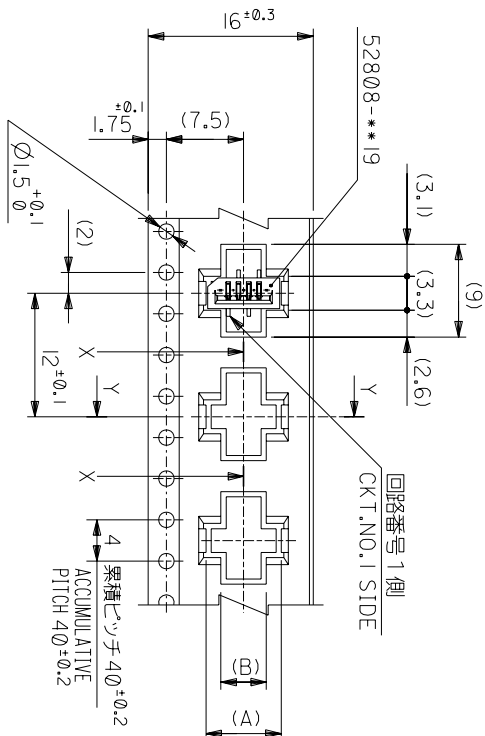
角度 ANGLE	±3°
30以上	±0.3
10以下	±0.25
10未満	±0.2
10未満	±0.2

記号	0	0	0	0	0	0	0	0	0
TR	TR	TR	TR	TR	TR	TR	TR	TR	TR
REVISION RECORD	DR-CHK.	DATE	DATE	DATE	DATE	DATE	DATE	DATE	DATE
材料 MATERIAL	注記参照 SEE NOTES	仕上げ FINISH	#	適用電線範囲 WIRE RANGE	#	検査外径 INS. RANGE	#	材料 MOLEX-JAPAN CO.,LTD. MOLEX 日本モリス株式会社	REVISE ONLY ON CAD SYSTEM
DR	M.S	DATE	DATE	DATE	DATE	DATE	DATE	SCALE #	TITLE 名称
DATE	DATE	DATE	DATE	DATE	DATE	DATE	DATE	DATE	I.O FFC Conn NON ZIF SMT ST Embstd PKG -LEAD FREE-
DATE	DATE	DATE	DATE	DATE	DATE	DATE	DATE	DATE	DWG. NO. SD-52808-028
DATE	DATE	DATE	DATE	DATE	DATE	DATE	DATE	DATE	(SHEET 1 OF 6) REV
DATE	DATE	DATE	DATE	DATE	DATE	DATE	DATE	DATE	52808-**-70
DATE	DATE	DATE	DATE	DATE	DATE	DATE	DATE	DATE	MODEL NO.

THIS DRAWING CONTAINS INFORMATION THAT IS PROPRIETARY TO MOLEX/JAPAN AND SHOULD NOT BE USED WITHOUT WRITTEN PERMISSION
本図面は日本モリス(株)の所有する権利を有するため 当社の許可なく複製を禁止する。



SECT:Y-Y



16mm幅キャリアテープ
16mm WIDTH CARRIER TAPE

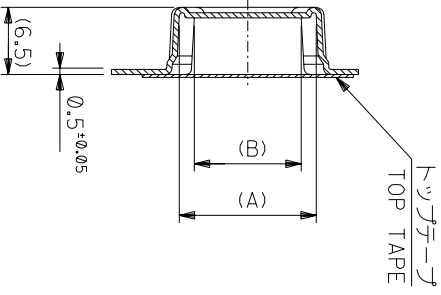
MODEL NO.	52808-***70	16	17.5	5.4	8.3	52808-0570	5
CARRIER TAPE WIDTH	キャリアテープ幅	C	(B)	(A)	MATERIAL NO.	種数	4
MATERIAL	材料	MATERIAL SHEET 1 OF 6 参照 REFER TO SHEET 1 OF 6					

角 度	ANGLE	≠3°
30 以上	30 OVER	≠3°
10 以下	10 UNDER	≠4.25
未 満	未 満	≠4.25
10 以下	10 UNDER	≠4.2
未 満	未 満	≠4.2

記号	新規作成	02004-2528	MAN	04/02/19
TR	変更内容		M.S	04/02/19
DR	REVISION RECORD		CHK.	DATE
DR	CHK.	DATE	DR	CHK.
APP'D BY	04/02/19	CHK'D BY	04/02/19	尺 度
M.NABEI	M.SASAO	M.SASAO	M.SASAO	SCALE
				—#—

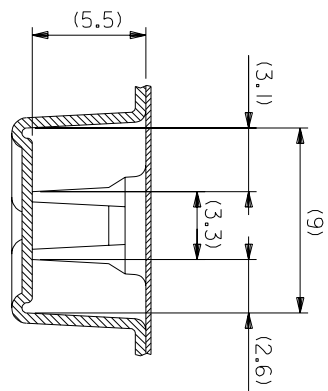
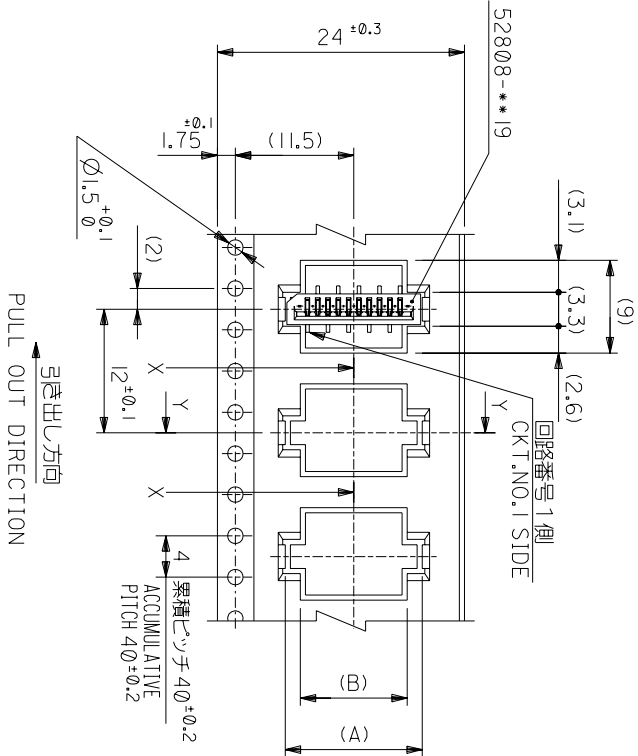
TITLE 名称	REVISE ONLY ON CAD SYSTEM
1.0 FCC CONN NON ZIF	
SMT ST EmbsTD PKG	
-LEAD FREE-	
DWG. NO.	SD-52808-028 (SHEET 2 OF 6)
REV	0

THIS DRAWING CONTAINS INFORMATION THAT IS PROPRIETARY TO MOLEX(JAPAN) AND SHOULD NOT BE USED WITHOUT WRITTEN PERMISSION
本図面は日本モリス(株)の所有する情報を含むもので 当社の許可なく複製を禁止する。



SECT:Y-Y

24mm幅キヤリヤテープ
24mm WIDTH CARRIER TAPE



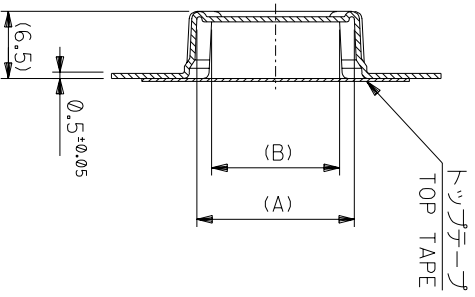
SECT:X-X
(SCALE:4-1)

MODEL NO.	52808-**70	キャリアテープ幅 CARRIER TAPE WIDTH	C	(B)	(A)	種数 CKT.
	24	25.5	10.4	13.3	52808-1070	10
			9.4	12.3	52808-0970	9
			8.4	11.3	52808-0870	8
			7.4	10.3	52808-0770	7
			6.4	9.3	52808-0670	6

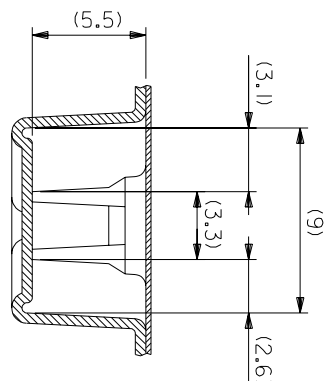
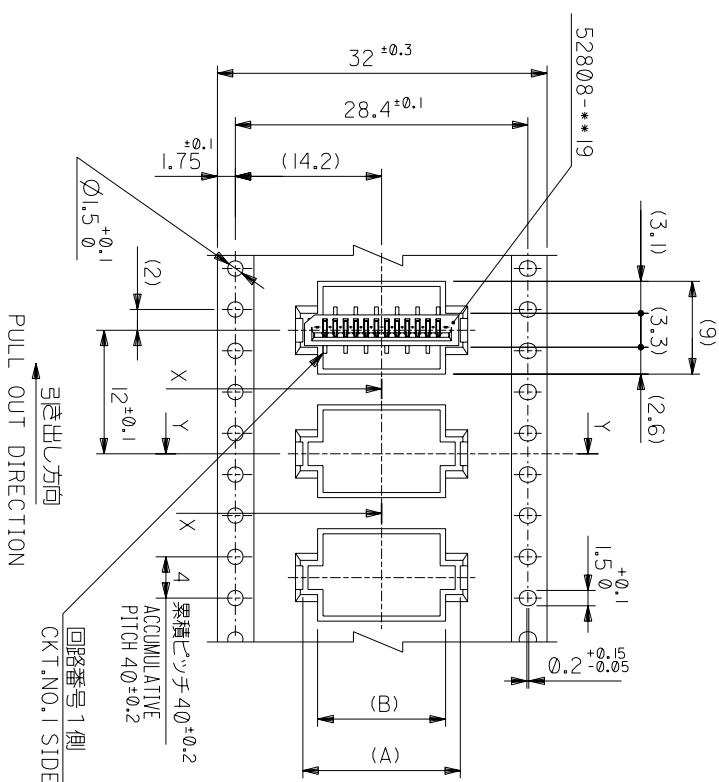
材料 MATERIAL	SHEET 1 OF 6 参照 REFER TO SHEET 1 OF 6					
仕上げ FINISH	—#—					
適用電線範囲 WIRE RANGE	—#—					
被覆外径 INS. RANGE	—#—					
DRAWN BY	04/02/19	CHK'D BY	04/02/19	SCALE	—#—	
MANABETI			M.SASAO			

角度 ANGLE	3°
30 以上	10.2
10 以下	14.25
10 未満	16.2
10 未満	16.2
一般公差 GENERAL TOLERANCES	
記号 LTR	新規作成 (12004-2528)
変更内容 REVISION RECORD	
DR-CHK.	DATE
MAN M.S	04/02/19
尺 SCALE	—#—
APP'D BY	M.SASAO
DWG. NO.	SD-52808-028
(SHEET 3 OF 6)	REV
0	0

THIS DRAWING CONTAINS INFORMATION THAT IS PROPRIETARY TO MOLEX(JAPAN) AND SHOULD NOT BE USED WITHOUT WRITTEN PERMISSION
本図面は日本モリス(株)の所有する情報を含むもので 当社の許可なく複製を禁止する。



SECT:Y-Y



SECT:X-X
(SCALE:4-1)

32mm幅キヤリヤテープ
32mm WIDTH CARRIER TAPE

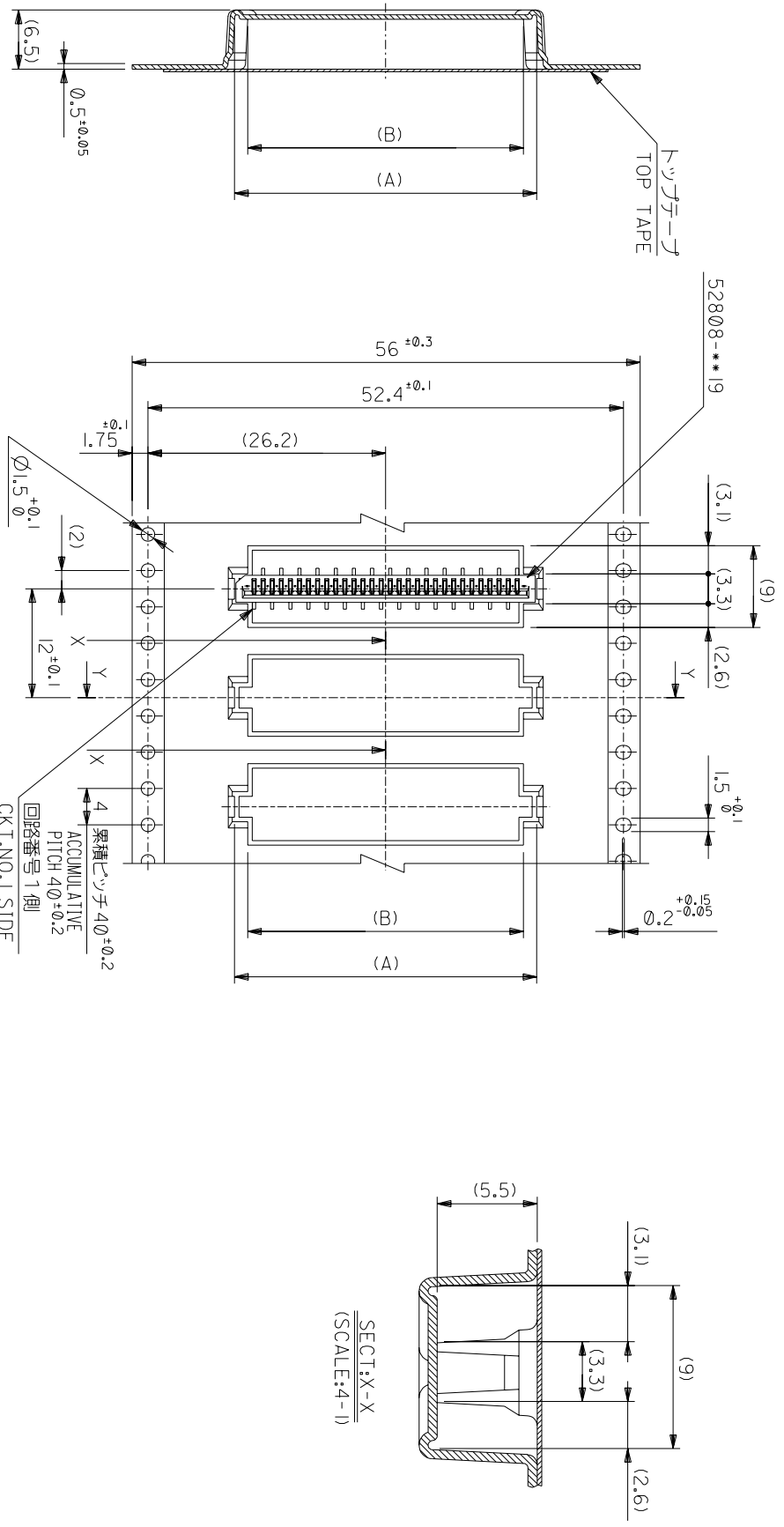
MODEL NO.	キャリアテープ幅 CARRIER TAPE WIDTH	C	(B)	(A)	種数 CKT.
52808-**-70	32	33.5	15.4	18.3	15
			14.4	17.3	14
			13.4	16.3	13
			12.4	15.3	12
			11.4	14.3	11

材料 MATERIAL SHEET 1 OF 6 参照 REFER TO SHEET 1 OF 6
仕上げ FINISH #
適用電線範囲 適用電線範囲
検査外径 検査外径
DRAWN BY: 04/02/19 CHK'D BY: 04/02/19
APP'D BY: M.NABEI M.NABEI
M.SASAO M.SASAO
SCALE: #/ #

角度 ANGLE	公差 TOLERANCE
30°以上	±3°
30°以下	±0.2
10°以下	±0.25
10°以下	±0.2

記号 LTR	変更内容 REVISION RECORD	DR-CHK.	DATE	DR-CHK.	DATE
0	新規作成 (12004-2528)	MAN	04/02/19	M.SASAO	04/02/19

THIS DRAWING CONTAINS INFORMATION THAT IS PROPRIETARY TO MOLEX/JAPAN AND SHOULD NOT BE USED WITHOUT WRITTEN PERMISSION
本図面は日本モリス(株)の所有する情報を含むもので 当社の許可なく複製を禁止する。



56mm幅キヤリアーテープ
56mm WIDTH CARRIER TAPE

SECT.:Y-Y

SECT.:X-X
(SCALE:4-1)

引き出し方向
PULL OUT DIRECTION

52808-**-70	MODEL NO.	56	57.5	30.4	29.4	33.3	52808-3070	30
56	CARRIER TAPE WIDTH	C	(B)	(A)	MATERIAL NO.	種数	29	種数
材料 MATERIAL SHEET 1 OF 6 参照 REFER TO SHEET 1 OF 6 仕上り FINISH # 適用電線範囲 WIRE RANGE # 標準外径 INS. RANGE # 引込長さ M.NABEI # 製造会社 M.SASAO #								

角度 ANGLE

30°以上 未満 3°

10°以下 未満 4.25

10°以下 未満 0.2

一般公差 GENERAL TOLERANCES

記号	0	新規作成	(12004-2528)	DR.	M.N	日付	04/02/19	APP'D BY	M.NABEI	尺度	1:1	DWG. NO.	SD-52808-028	REV	0
TR		変更内容		CHK.	M.S			BY	M.SASAO	SCALE	#	(SHEET 6 OF 6)			
THIS DRAWING CONTAINS INFORMATION THAT IS PROPRIETARY TO MOLEX(JAPAN) AND SHOULD NOT BE USED WITHOUT WRITTEN PERMISSION 本図面は日本モリス(株)の所有する情報を含むもので 当社の許可なく複製を禁止する。															