

PLEASE CHECK WWW.MOLEX.COM FOR LATEST PART INFORMATION

Part Number: [0527461271](#)
Status: **Active**
Overview:
Description: 0.50mm (.020") Pitch FFC/FPC Connector, Right Angle, SMT, ZIF, Bottom Contact Style, 12 Circuits, Lead-free, Gold Contact Plating, High Barrier Packaging

Agency Certification

CSA LR19980
 UL E29179

General

Product Family FFC/FPC Connectors
 Series [52746](#)
 Overview ffc_fpc_smt
 Product Name N/A

Physical

Circuits (Loaded) 12
 Contact Position Bottom
 Durability (mating cycles max) 20
 Entry Angle 90° Angle
 Flammability 94V-0
 Mated Height (in) 0.079 In
 Mated Height (mm) 2.00 mm
 Material - Metal Phosphor Bronze
 Material - Plating Mating Gold
 Material - Plating Termination Gold
 Number of Rows 1
 Orientation Right Angle
 PCB Locator No
 PCB Retention Yes
 Packaging Type Embossed Tape on Reel
 Pitch - Mating Interface (in) 0.020 In
 Pitch - Mating Interface (mm) 0.50 mm
 Polarized to PCB Yes
 Stackable No
 Temperature Range - Operating -20°C to +85°C
 Termination Interface: Style Surface Mount
 Wire/Cable Type FFC/FPC

Electrical

Current - Maximum per Contact 0.5A
 Voltage - Maximum 50V

Material Info

Reference - Drawing Numbers

Packaging Specification SPK-52746-001, SPK-52746-002
 Product Specification PS-52746-015, RPS-52746-017, RPS-52746-038, RPS-52746-041, RPS-52746-044, RPS-52746-045, RPS-52746-050, RPS-52746-051, RPS-52746-053, RPS-52746-054, RPS-52746-056, RPS-52746-057, RPS-52746-060, RPS-52746-062
 Sales Drawing SD-52746-024, SD-52746-025

EU RoHS
ELV and RoHS
Compliant

REACH SVHC
 Not Reviewed
Halogen-Free
Status

Not Reviewed

Need more information on product environmental compliance?

Email productcompliance@molex.com
 For a multiple part number RoHS Certificate of Compliance, [click here](#)

Please visit the [Contact Us](#) section for any non-product compliance questions.

China RoHS



Search Parts in this Series
[52746Series](#)

This document was generated on 06/05/2010

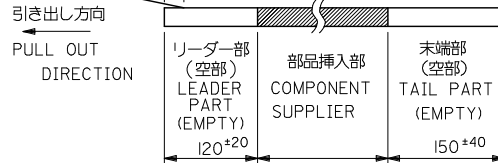
PLEASE CHECK WWW.MOLEX.COM FOR LATEST PART INFORMATION

注記 NOTES

1. 製品番号 52746-***39 の梱包状態はアクチュエータがロックした状態とする。
 詳細寸法については図面 SD-52746-025 を参照下さい。
 IN THE PACKAGE, ACTUATOR OF PART NO.52746-***39 SHOULD BE LOCKED
 RE DETAILED DIMENSIONS, SEE SD-52746-025

2. 梱包数量：1000個/リール
 NUMBER OF CONNECTORS: 1000PCS/REEL

3. リードテープ長さ LEAD TAPE LENGTH

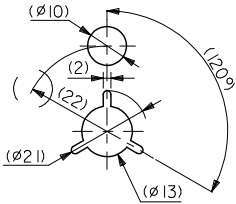
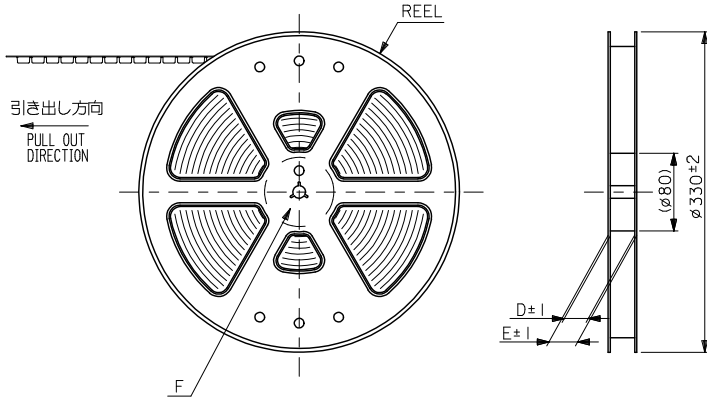
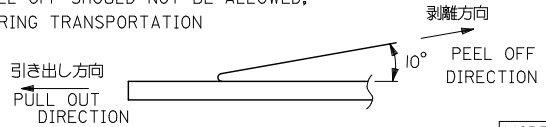


4. トップテープの剥離強度：(剥離方向は下図参照)

0.1N~1.3N(10gf~130gf) 尚、本規格値は、出荷時に適用。
 (但し、輸送時に剥離が発生しない事。)

PEELING OFF FORCE OF TOP TAPE

0.1N~1.3N(10gf~130gf)(PEELING DIRECTION AS SHOWN IN FOLLOWING FIG.)
 THIS REQUIREMENT SHOULD BE APPLIED AT SHIPMENT
 PEEL OFF SHOULD NOT BE ALLOWED,
 DURING TRANSPORTATION



DETAIL F

5. 材料 キャリアテープ:ポリプロピレン (PP)
 トップテープ:PET, PE, PEF
 リール:ポリスチレン (PS) <リサイクル材を含む>

MATERIAL CARRIER TAPE:POLYPROPYLENE
 TOP TAPE:PET,PE,PEF
 REEL:POLYSTYRENE(PS)
 <RECYCLE MATERIAL CONTAINED>

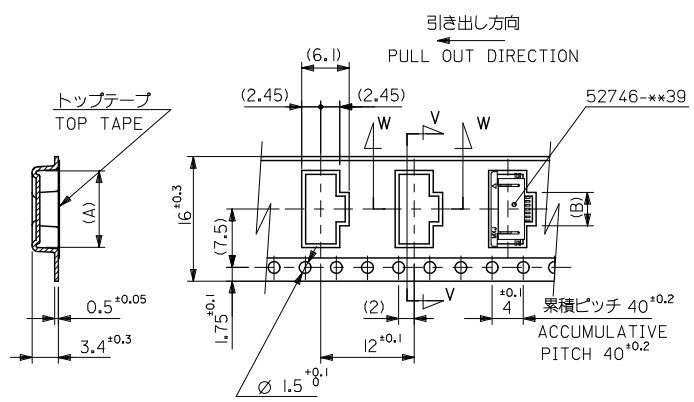
6. 本製品は 52746-***81 の鉛フリー品です
 THIS PRODUCT IS LEAD FREE OF 52746-***81

7. 本製品は乾燥剤入り、ハイバリア梱包仕様である。
 THIS PRODUCT IS HIGH BARRIER PACKAGE WITH DESICCANT.

MODEL No.52746-***71

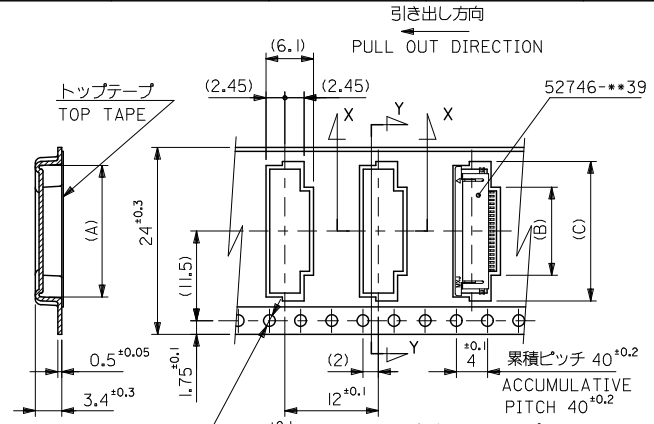
REVISED EC NO: J2009-2061 DRAWN: KON 2009/05/20 CHK: HATSUNO 2009/05/21 APPR: NIKITA 2009/05/21	GENERAL TOLERANCES (UNLESS SPECIFIED)		DIMENSION STYLE MM ONLY		SCALE ---	DESIGN UNITS METRIC	THIRD ANGLE PROJECTION
	10 UNDER	±0.2	DRAWN BY HSHIMABUKURO	DATE '04/01/30	TITLE 0.5 FPC CONN ZIF SMT RA B/CONT EMBSTP PKG -LEAD FREE-		
	10 OVER 30 UNDER	±0.25	CHECKED BY KTOJO	DATE '04/01/30	MOLEX INCORPORATED		
	30 OVER	±0.3	APPROVED BY MSASAO	DATE '04/01/30	DOCUMENT NO. SD-52746-024		
ANGULAR ±3 °		MATERIAL NO. SEE SHEET 2,3		SHEET NO. 1 OF 3		THIS DRAWING CONTAINS INFORMATION THAT IS PROPRIETARY TO MOLEX INCORPORATED AND SHOULD NOT BE USED WITHOUT WRITTEN PERMISSION	
DRAFT WHERE APPLICABLE MUST REMAIN WITHIN DIMENSIONS		SIZE A3					

10 9 8 7 6 5 4 3 2 1



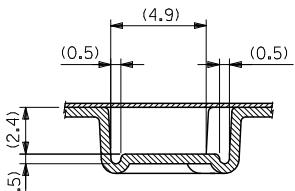
SECT.V-V

16mm幅キャリアテープ
16mm WIDTH CARRIER TAPE

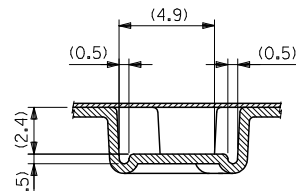


SECT.Y-Y

24mm幅キャリアテープ
24mm WIDTH CARRIER TAPE



SECT.W-W



SECT.X-X

24	29.4	25.4	24.4	11.8	17.4	52746-2271	22
			17.9	11.3	16.9	52746-2171	21
			17.4	10.8	16.4	52746-2071	20
			16.9	10.3	15.9	52746-1971	19
			16.4	9.8	15.4	52746-1871	18
			15.9	9.3	14.9	52746-1771	17
			15.4	8.8	14.4	52746-1671	16
			14.9	8.3	13.9	52746-1571	15
			14.4	7.8	13.4	52746-1471	14
			13.9	7.3	12.9	52746-1371	13
			13.4	6.8	12.4	52746-1271	12
			12.9	6.3	11.9	52746-1171	11
			12.4	5.8	11.4	52746-1071	10
			11.9	5.3	10.9	52746-0971	9
11.4	4.8	10.4	52746-0871	8			
10.9	4.3	9.9	52746-0771	7			
10.4	3.8	9.4	52746-0671	6			
9.4	2.8	8.4	52746-0471	4			

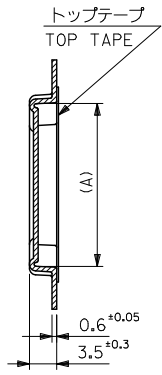
キャリアテープ幅 CARRIER TAPE WIDTH	E	D	(C)	(B)	(A)	MATERIAL NO.	極数 CIRCUITS
--------------------------------	---	---	-----	-----	-----	--------------	----------------

MODEL No.52746-***71

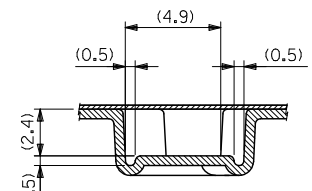
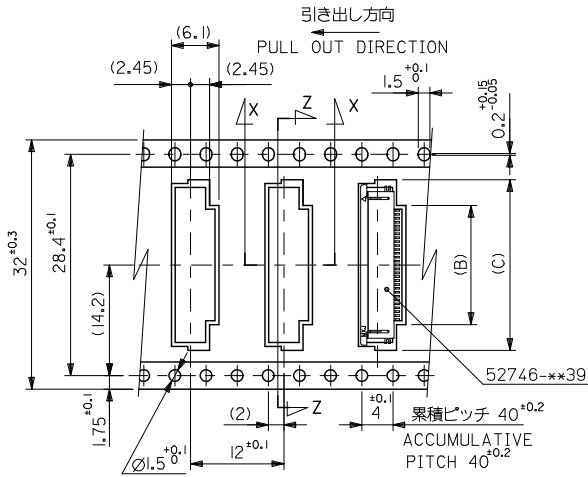
REVISED EC NO: J2009-2061 DRAWN BY DRINKON 2009/05/20 CHKD:HATSUMOTO 2009/05/21 APPR:NIKIITA 2009/05/21	DESCRIPTION	GENERAL TOLERANCES (UNLESS SPECIFIED)		DIMENSION STYLE	SCALE	DESIGN UNITS	THIRD ANGLE PROJECTION	
		10 UNDER	±0.2	MM ONLY	---	METRIC		
		10 OVER 30 UNDER	±0.25	DRAWN BY HSHIMABUKURO	DATE '04/01/30	TITLE	0.5 FPC CONN ZIF SMT RA B/CONT EMBSTP PKG -LEAD FREE-	
		30 OVER	±0.3	CHECKED BY KT0JO	DATE '04/01/30	MOLEX INCORPORATED		
	ANGULAR	±3 °	APPROVED BY MSASAO	DATE '04/01/30	MATERIAL NO. SD-52746-024			
	DRAFT WHERE APPLICABLE MUST REMAIN WITHIN DIMENSIONS		MATERIAL NO. SEE TABLE		DOCUMENT NO.		SHEET NO. 2 OF 3	

SIZE A3 THIS DRAWING CONTAINS INFORMATION THAT IS PROPRIETARY TO MOLEX INCORPORATED AND SHOULD NOT BE USED WITHOUT WRITTEN PERMISSION

10 9 8 7 6 5 4 3 2 1



SECT.Z-Z



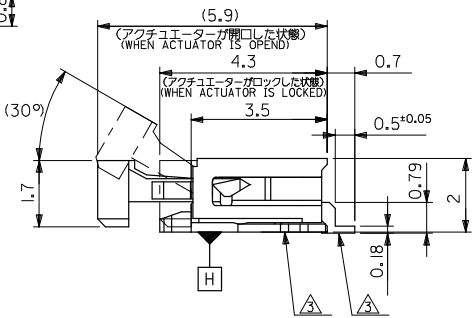
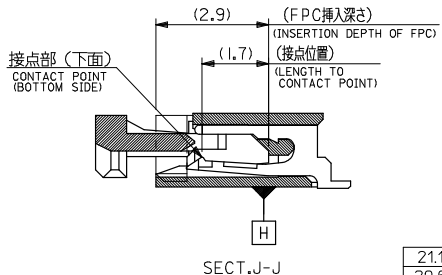
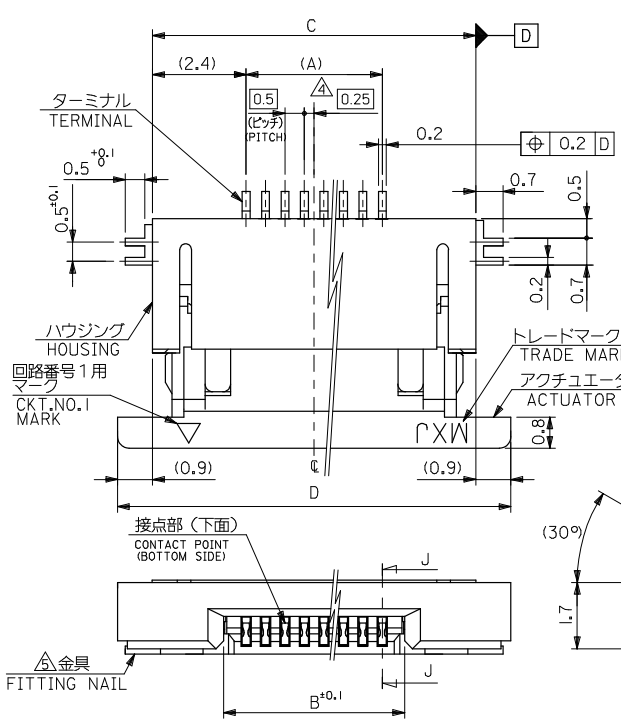
SECT.X-X

32mm幅キャリアテープ
32mm WIDTH CARRIER TAPE

32	37.4	33.4	22.4	15.8	21.4	52746-3071	30		
			21.4	14.8	20.4	52746-2871	28		
			20.9	14.3	19.9	52746-2771	27		
			19.9	13.3	18.9	52746-2571	25		
			19.4	12.8	18.4	52746-2471	24		
キャリアテープ幅 CARRIER TAPE WIDTH			E	D	(C)	(B)	(A)	MATERIAL NO.	極数 CIRCUIT

REVISED EC NO: J2009-2061 DRAWN BY CHYKHMATSUMOTO APPROVED BY APPRIKITA	DESCRIPTION 2009/05/20 2009/05/21 2009/05/21	GENERAL TOLERANCES (UNLESS SPECIFIED)		DIMENSION STYLE MM ONLY		SCALE ---	DESIGN UNITS METRIC	THIRD ANGLE PROJECTION		
		10 UNDER	±0.2	DRAWN BY HSHIMABUKURO	DATE '04/01/30	TITLE 0.5 FPC CONN ZIF SMT RA B/CONT EMBSTP PKG -LEAD FREE-				
		10 OVER 30 UNDER	±0.25	CHECKED BY KT0JO	DATE '04/01/30	MOLEX INCORPORATED				
		30 OVER	±0.3	APPROVED BY MSASAO	DATE '04/01/30	DOCUMENT NO. SD-52746-024				
		ANGULAR	±3 °	MATERIAL NO. SEE TABLE		SHEET NO. 3 OF 3				
DRAFT WHERE APPLICABLE MUST REMAIN WITHIN DIMENSIONS		SIZE A3 THIS DRAWING CONTAINS INFORMATION THAT IS PROPRIETARY TO MOLEX INCORPORATED AND SHOULD NOT BE USED WITHOUT WRITTEN PERMISSION								

10 9 8 7 6 5 4 3 2 1



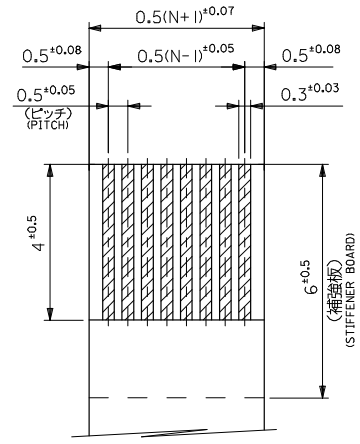
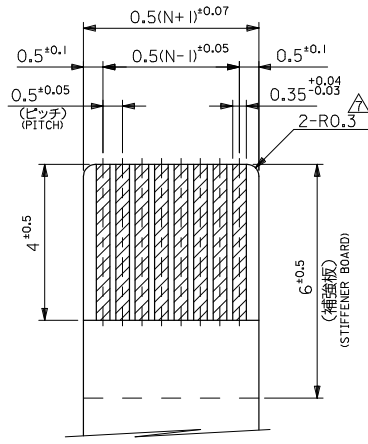
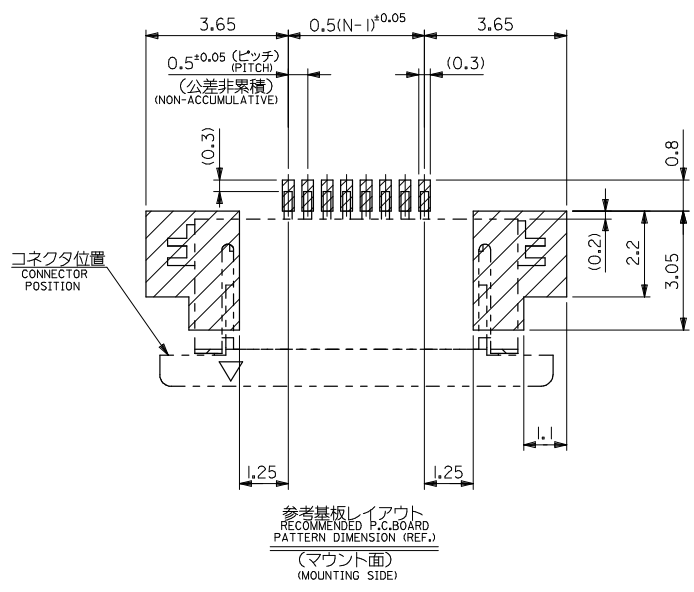
注記 NOTES

1. 使用材料 MATERIAL
 - ハウジング HOUSING: 46ナイロン、UL94V-0 NYLON
 - アクチュエータ ACTUATOR: PPS、UL94V-0
 - ターミナル TERMINAL: リン青銅(+0.2)、ニッケル下地、金メッキ PHOSPHOR BRONZE GOLD OVER NICKEL PLATING
 - 金具 FITTING NAIL: リン青銅(+0.2)、ニッケル下地、金メッキ PHOSPHOR BRONZE, TIN OVER NICKEL PLATING
2. エンボスターゲル印刷時は、アクチュエータがロックした状態とする。 IN THE PACKAGE ACTUATOR OF PART NO.52746-1139 SHOULD BE LOCKED.
- △ ソルダール半田付け部の穴径、及び金具半田付け部の穴径は、基準値(H)に對し上方0.1MAX、下方0.15MAXとする。 MISALIGNMENT OF SOLDER TAILS AND FITTING NAILS FROM (H) UPPER DIRECTION:0.1 MAX., LOWER DIRECTION:0.15MAX.
- △ 金具に適用。 APPLY FOR EVEN CIRCUIT.
- △ パターン破くり止めの用金具 FITTING NAIL FOR PREVENTION OF PEELING OF P.C.B. PATTERN.
6. 本製品は 52746-1139のフル品です。 THIS PRODUCT IS LEAD FREE OF 52746-1139

21.1	19.3	15.65	14.5	52746-3071	52746-3039	30
20.6	18.8	15.15	14.0	52746-2971	52746-2939	29
20.1	18.3	14.65	13.5	52746-2871	52746-2839	28
19.6	17.8	14.15	13.0	52746-2771	52746-2739	27
19.1	17.3	13.65	12.5	52746-2671	52746-2639	26
18.6	16.8	13.15	12.0	52746-2571	52746-2539	25
18.1	16.3	12.65	11.5	52746-2471	52746-2439	24
17.6	15.8	12.15	11.0	52746-2371	52746-2339	23
17.1	15.3	11.65	10.5	52746-2271	52746-2239	22
16.6	14.8	11.15	10.0	52746-2171	52746-2139	21
16.1	14.3	10.65	9.5	52746-2071	52746-2039	20
15.6	13.8	10.15	9.0	52746-1971	52746-1939	19
15.1	13.3	9.65	8.5	52746-1871	52746-1839	18
14.6	12.8	9.15	8.0	52746-1771	52746-1739	17
14.1	12.3	8.65	7.5	52746-1671	52746-1639	16
13.6	11.8	8.15	7.0	52746-1571	52746-1539	15
13.1	11.3	7.65	6.5	52746-1471	52746-1439	14
12.6	10.8	7.15	6.0	52746-1371	52746-1339	13
12.1	10.3	6.65	5.5	52746-1271	52746-1239	12
11.6	9.8	6.15	5.0	52746-1171	52746-1139	11
11.1	9.3	5.65	4.5	52746-1071	52746-1039	10
10.6	8.8	5.15	4.0	52746-0971	52746-0939	9
10.1	8.3	4.65	3.5	52746-0871	52746-0839	8
9.6	7.8	4.15	3.0	52746-0771	52746-0739	7
9.1	7.3	3.65	2.5	52746-0671	52746-0639	6
8.1	6.3	2.65	1.5	52746-0471	52746-0439	4
D	C	B	(A)	EMBOSSD TAPES	MATERIAL NO.	種数
				52746-xx39	MODEL NO.	

REVISED EC NO: J2008-4308 DRAWN BY: DRWN:MABEL 2008/06/27 2008/06/30 CHECKED BY: CHYK:THARYAMA 2008/06/30 APPROVED BY: APPR:NIKI TA 2008/06/30 H REV:	GENERAL TOLERANCES (UNLESS SPECIFIED)		DIMENSION STYLE MM ONLY		SCALE ---	DESIGN UNITS METRIC	THIRD ANGLE PROJECTION
	10 UNDER	±0.2	DRAWN BY HSHIMABUKURO	DATE '04/01/30	TITLE 0.5 FPC CONN ZIF FOR SMT R/A (BOTTOM CONTACT) -LEAD FREE-		
	10 OVER 30 UNDER	±0.25	CHECKED BY KTOJO	DATE '04/01/30	MOLEX INCORPORATED		
	30 OVER	±0.3	APPROVED BY MSASAO	DATE '04/01/30	DOCUMENT NO. SD-52746-025		
ANGULAR ±3°		MATERIAL NO. SEE TABLE		SHEET NO. 1 OF 2			
DRAFT WHERE APPLICABLE MUST REMAIN WITHIN DIMENSIONS		SIZE A3		THIS DRAWING CONTAINS INFORMATION THAT IS PROPRIETARY TO MOLEX INCORPORATED AND SHOULD NOT BE USED WITHOUT WRITTEN PERMISSION			

10 9 8 7 6 5 4 3 2 1



適合FPC推奨寸法
 APPLICABLE FPC
 RECOMMENDED DIMENSION
 (仕上がり厚さ: 0.3^{+0.03})
 (THICKNESS: 0.3^{+0.03})

適合FFC推奨寸法
 APPLICABLE FFC
 RECOMMENDED DIMENSION
 (仕上がり厚さ: 0.3^{+0.03})
 (THICKNESS: 0.3^{+0.03})

FPCについて:
 打抜き方向は導体側から補強板を推奨致します。
 補強フィルム材質はポリイミドを推奨致します。
 接着剤は熱硬化接着剤を推奨致します。
 ABOUT FPC:
 RECOMMENDED PUNCHER DIRECTION : FROM CONDUCTOR SIDE TO STIFFENER BOARD SIDE.
 RECOMMENDED MATERIAL :
 STIFFENER FILM : POLYIMIDE
 BONDING AGENT : THERMOSETTING BONDING AGENT

注記 NOTES

- △ R0.3は、FPCの導体側にかからないこと。
 R0.3 MUST NOT BE OVERLAPPED TO PATTERN OF FPC.

REVISED EC NO: J2008-4308 DRAWN BY: HSHIMABUKURO CHKD: THARYAMA APPR: NIKITA	DESCRIPTION 2008/06/27 2008/06/30 2008/06/30	GENERAL TOLERANCES (UNLESS SPECIFIED)		DIMENSION STYLE MM ONLY		SCALE ---	52746-xx39	MODEL NO.
		10 UNDER	±0.2	DRAWN BY HSHIMABUKURO	DATE '04/01/30	TITLE 0.5 FPC CONN ZIF FOR SMT R/A (BOTTOM CONTACT) -LEAD FREE-	DESIGN UNITS METRIC	THIRD ANGLE PROJECTION
		10 OVER 30 UNDER	±0.25	CHECKED BY KT0JO	DATE '04/01/30	MOLEX INCORPORATED	DOCUMENT NO. SD-52746-025	SHEET NO. 2 OF 2
		30 OVER	±0.3	APPROVED BY MSASAO	DATE '04/01/30			
ANGULAR ±3°		DRAFT WHERE APPLICABLE MUST REMAIN WITHIN DIMENSIONS		MATERIAL NO. SEE TABLE		INCORPORATED AND SHOULD NOT BE USED WITHOUT WRITTEN PERMISSION		