

**PLEASE CHECK WWW.MOLEX.COM FOR LATEST PART INFORMATION**

**Part Number:** [0526102471](#)  
**Status:** **Active**  
**Overview:**  
**Description:** 1.00mm (.039") Pitch FFC/FPC Connector, SMT, Vertical, ZIF Receptacle, 24 Circuits, Lead-free, High Barrier Packaging

**Agency Certification**

CSA LR19980  
 UL E29179

**General**

Product Family FFC/FPC Connectors  
 Series [52610](#)  
 Overview [ffc\\_fpc\\_smt](#)  
 Product Name N/A

**Physical**

Circuits (Loaded) 24  
 Contact Position N/A  
 Durability (mating cycles max) 30  
 Entry Angle Vertical  
 Flammability 94V-0  
 Mated Height (in) 0.226 In  
 Mated Height (mm) 5.75 mm  
 Material - Metal Phosphor Bronze  
 Material - Plating Mating Tin-Bismuth  
 Material - Plating Termination Tin-Bismuth  
 Material - Resin Nylon  
 Number of Rows 1  
 Orientation Vertical  
 PCB Locator No  
 PCB Retention None  
 Packaging Type Embossed Tape on Reel  
 Pitch - Mating Interface (in) 0.039 In  
 Pitch - Mating Interface (mm) 1.00 mm  
 Polarized to PCB No  
 Stackable No  
 Temperature Range - Operating -40°C to +85°C  
 Termination Interface: Style Surface Mount  
 Wire/Cable Type FFC/FPC

**Electrical**

Current - Maximum per Contact 1A  
 Voltage - Maximum 125V

**Material Info**

**Reference - Drawing Numbers**

Packaging Specification SPK-52610-001, SPK-52610-003  
 Product Specification PS-52610-006, RPS-52610-001, RPS-52610-002, RPS-52610-004, RPS-52610-026, RPS-52610-027, RPS-52610-028, RPS-52610-031, RPS-52610-034, RPS-52610-037, RPS-52610-038, RPS-52610-040, RPS-52610-041, RPS-52610-043, RPS-52610-044, RPS-52610-046, RPS-52610-049, RPS-52610-050, RPS-52610-057, RPS-52610-058, RPS-52610-059, RPS-52610-062, RPS-52610-065

<p><b>EU RoHS</b>  <b>ELV and RoHS</b>  <b>Compliant</b>  <b>REACH SVHC</b>  <b>Contains SVHC: No</b>  <b>Halogen-Free</b>  <b>Status</b>  <b>Not Halogen-Free</b></p>	<p><b>China RoHS</b></p>  <p><b>Need more information on product environmental compliance?</b></p>
--	---

Email [productcompliance@molex.com](mailto:productcompliance@molex.com)  
 For a multiple part number RoHS Certificate of Compliance, [click here](#)

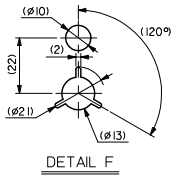
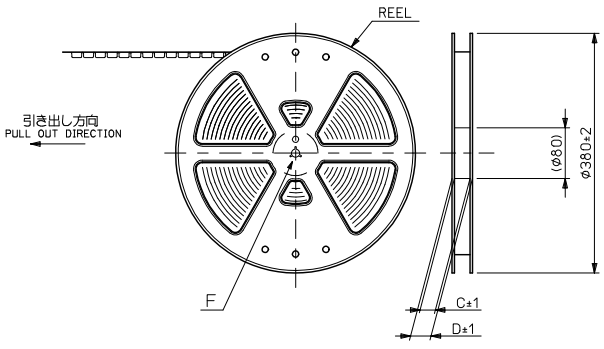
Please visit the [Contact Us](#) section for any non-product compliance questions.

**Search Parts in this Series**  
[52610Series](#)

This document was generated on 06/05/2010

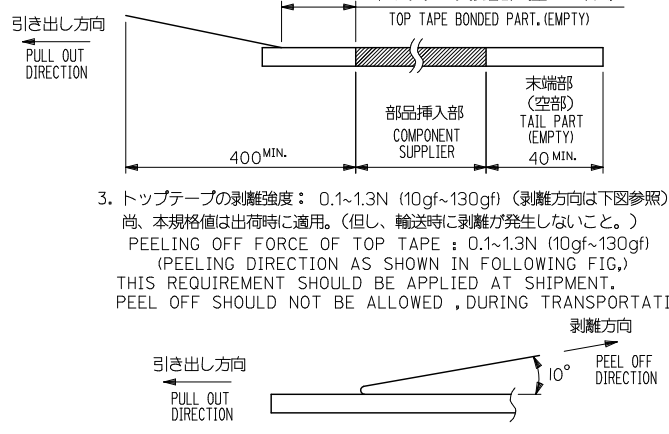
**PLEASE CHECK [WWW.MOLEX.COM](http://WWW.MOLEX.COM) FOR LATEST PART INFORMATION**

10 9 8 7 6 5 4 3 2 1



NOTES

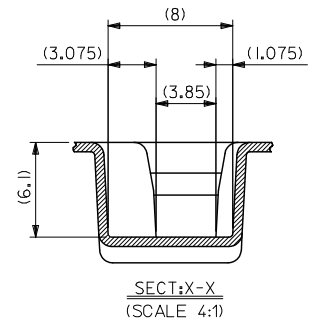
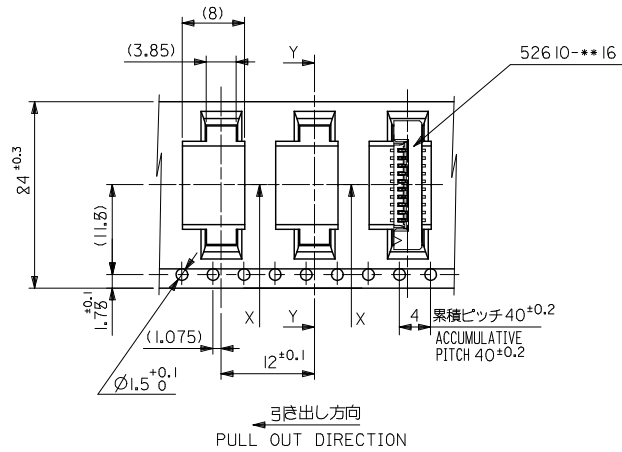
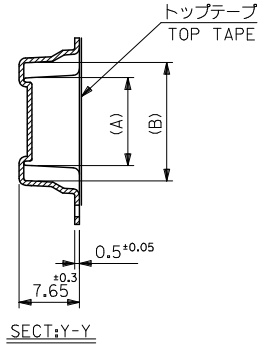
1. 梱包数量：1000個/リール  
NUMBER OF CONNECTORS：1000PCS/REEL
2. リードテープ長さ LEAD TAPE LENGTH  
20PCS, MIN. トップテープ接着部 (空エンボス)  
TOP TAPE BONDED PART. (EMPTY)  
部品挿入部 COMPONENT SUPPLIER  
末端部 (空部) TAIL PART (EMPTY)  
400MIN. 40MIN.
3. トップテープの剥離強度：0.1~1.3N (10gf~130gf) (剥離方向は下図参照)  
尚、本規格値は出荷時に適用。(但し、輸送時に剥離が発生しないこと。)  
PEELING OFF FORCE OF TOP TAPE：0.1~1.3N (10gf~130gf)  
(PEELING DIRECTION AS SHOWN IN FOLLOWING FIG.)  
THIS REQUIREMENT SHOULD BE APPLIED AT SHIPMENT.  
PEEL OFF SHOULD NOT BE ALLOWED, DURING TRANSPORTATION.
4. 526 10-\*\*\*16 のアクチュエータはハウジング内に押し下げた状態とする。  
詳細寸法については 製品単体図面を参照下さい。  
ACTUATOR OF PART NO. 526 10-\*\*\*16 SHOULD BE LOCKED.  
RE DETAILED DIMENSIONS, SEE SALES DRAWING FOR CONNECTOR.
5. 材料 (MATERIAL)  
キャリアテープ (CARRIER TAPE)：ポリプロピレン (POLYPROPYLENE)  
トップテープ (TOP TAPE)：PET, PE, PEF  
リール (REEL)：ポリスチレン (P.S.) <リサイクル材を含む>  
POLYSTYRENE (P.S.) <RECYCLE MATERIAL CONTAINED>
6. 本製品は 526 10-\*\*\*90 の鉛フリー品です
7. 本製品は乾燥剤入り、ハイバリア梱包仕様である。  
THIS PRODUCT IS HIGH BARRIER PACKAGE WITH DESICCANT.



52610-\*\*\*71 MODEL NO.

REVISED EC NO: J2009-2061 DRAWN BY: DRWNTKON 2009/05/20 CHKD: HATSUMOTO 2009/05/21 APPROV: KITA 2009/05/21	GENERAL TOLERANCES (UNLESS SPECIFIED)		DIMENSION STYLE MM ONLY		SCALE ---	DESIGN UNITS METRIC	THIRD ANGLE PROJECTION
	10 UNDER	±0.2	DRAWN BY T. UENO	DATE '03/12/12	TITLE 1.0 FPC CONN SMT ZIF EMBSTP PKG -LEAD FREE-		
	10 OVER 30 UNDER	±0.25	CHECKED BY M. SASAO	DATE '03/12/12	MOLEX INCORPORATED		
	30 OVER	±0.3	APPROVED BY M. SASAO	DATE '03/12/12	MATERIAL NO. SEE TABLE	DOCUMENT NO. SD-52610-038	SHEET NO. 1 OF 5
REV	DESCRIPTION	ANGULAR ±3 °		DRAFT WHERE APPLICABLE MUST REMAIN WITHIN DIMENSIONS			

10 9 8 7 6 5 4 3 2 1

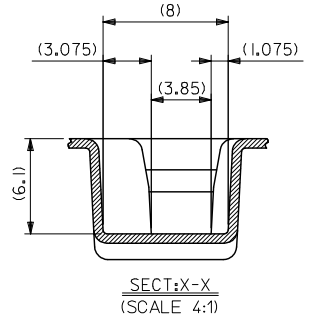
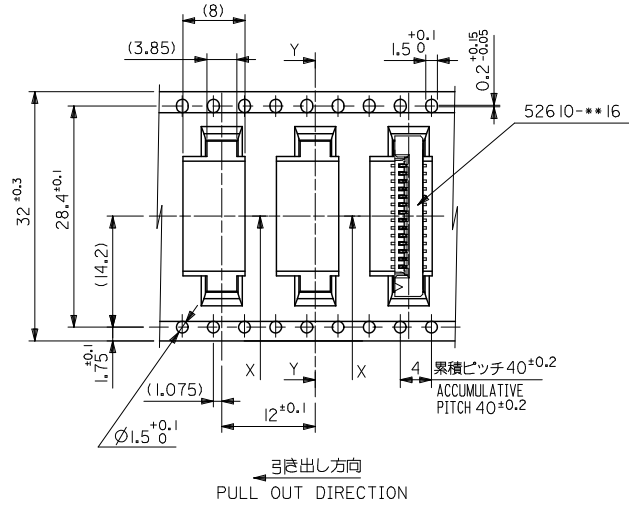
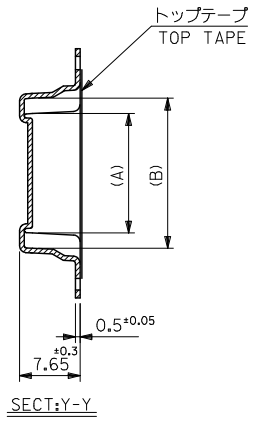


24	29.4	25.4	15.25	11.32	52610-1071	10
			14.25	10.32	52610-0971	9
			13.25	9.32	52610-0871	8
			12.25	8.32	52610-0771	7
			11.25	7.32	52610-0671	6
			10.25	6.32	52610-0571	5
キャリアテープ幅 CARRIER TAPE WIDTH			D	C	(B)	(A)
			MATERIAL NO.		種数 CKT.	

52610-\*\*-71 MODEL NO.

REVISED EC NO: J2009-2061 DRAWN BY: CHYOKHMATSUNO CHECKED BY: APPR: NIKITA DATE: 2009/05/21 DATE: 2009/05/21	GENERAL TOLERANCES (UNLESS SPECIFIED)		DIMENSION STYLE MM ONLY		SCALE ---	DESIGN UNITS METRIC	THIRD ANGLE PROJECTION
	10 UNDER	±0.2	DRAWN BY T. UENO	DATE '03/12/12	TITLE 1.0 FPC CONN SMT ZIF EMBSTP PKG -LEAD FREE-		
	10 OVER 30 UNDER	±0.25	CHECKED BY M. SASAO	DATE '03/12/12	MOLEX INCORPORATED		
	30 OVER	±0.3	APPROVED BY M. SASAO	DATE '03/12/12	DOCUMENT NO. SD-52610-038		
	ANGULAR	±3 °	MATERIAL NO. SEE TABLE	SHEET NO. 2 OF 5			
DRAFT WHERE APPLICABLE MUST REMAIN WITHIN DIMENSIONS		THIS DRAWING CONTAINS INFORMATION THAT IS PROPRIETARY TO MOLEX INCORPORATED AND SHOULD NOT BE USED WITHOUT WRITTEN PERMISSION					

10 9 8 7 6 5 4 3 2 1

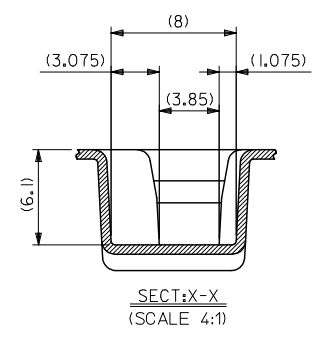
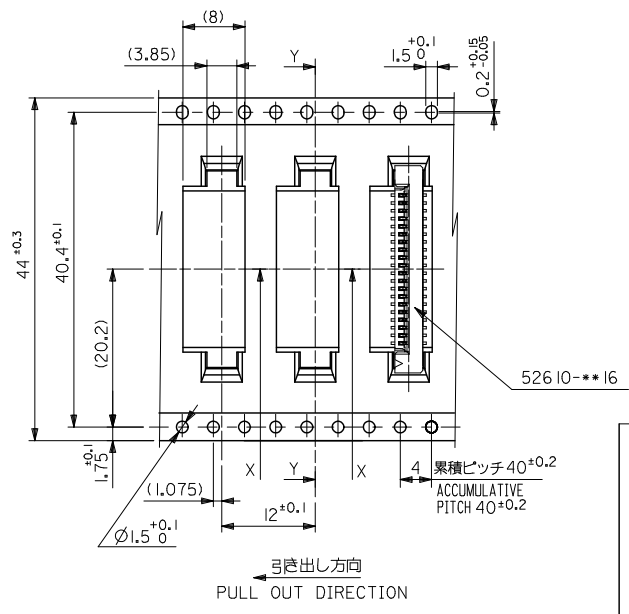
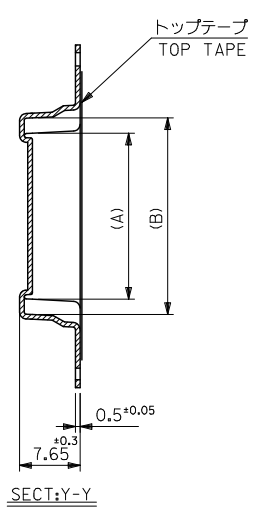


32	37.4	33.4	20.25	16.32	52610-1571	15
			19.25	15.32	52610-1471	14
			18.25	14.32	52610-1371	13
			17.25	13.32	52610-1271	12
			16.25	12.32	52610-1171	11
キャリアテープ幅 CARRIER TAPE WIDTH	D	C	(B)	(A)	MATERIAL NO.	種別 CKT.

52610-\*\*\*71 MODEL NO.

REVISED JEC NO: J2009-2061 DRAWN BY: CHYKHMATSUMOTO 2009/05/21 APPR: APRRNIKI TA 2009/05/21	GENERAL TOLERANCES (UNLESS SPECIFIED)		DIMENSION STYLE MM ONLY	SCALE ---	DESIGN UNITS METRIC	THIRD ANGLE PROJECTION
	10 UNDER	±0.2	DRAWN BY T. UENO	DATE '03/12/12	TITLE 1.0 FPC CONN SMT ZIF EMBSTP PKG -LEAD FREE-	
	10 OVER 30 UNDER	±0.25	CHECKED BY M. SASAO	DATE '03/12/12	MOLEX INCORPORATED	
	30 OVER	±0.3	APPROVED BY M. SASAO	DATE '03/12/12	DOCUMENT NO. SD-52610-038	SHEET NO. 3 OF 5
	ANGULAR ±3 °		MATERIAL NO. SEE TABLE	THIS DRAWING CONTAINS INFORMATION THAT IS PROPRIETARY TO MOLEX INCORPORATED AND SHOULD NOT BE USED WITHOUT WRITTEN PERMISSION		
DRAFT WHERE APPLICABLE MUST REMAIN WITHIN DIMENSIONS						

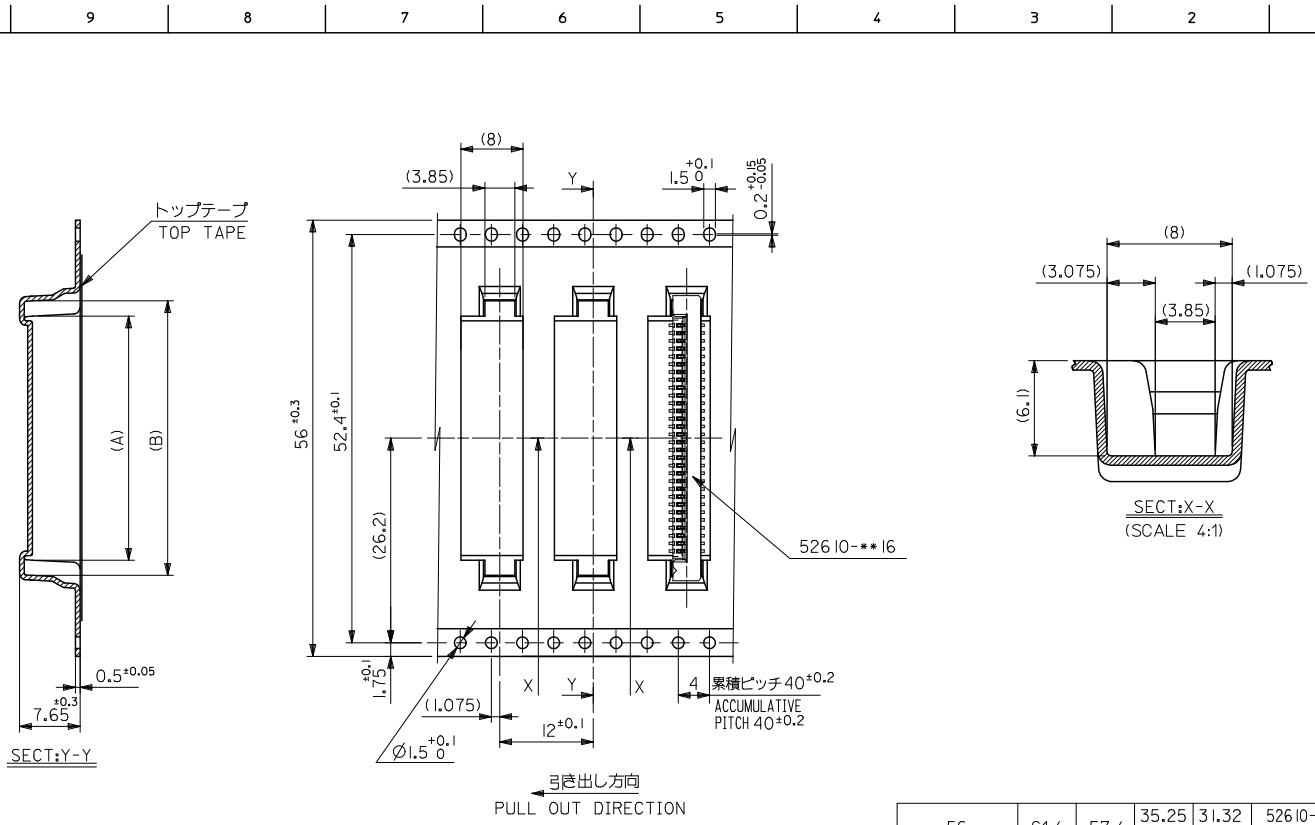
10 9 8 7 6 5 4 3 2 1



44	49.4	45.4	31.25	27.32	52610-2671	26
			30.25	26.32	52610-2571	25
			29.25	25.32	52610-2471	24
			28.25	24.32	52610-2371	23
			27.25	23.32	52610-2271	22
			26.25	22.32	52610-2171	21
			25.25	21.32	52610-2071	20
			24.25	20.32	52610-1971	19
			23.25	19.32	52610-1871	18
			22.25	18.32	52610-1771	17
21.25	17.32	52610-1671	16			
キャリアテープ幅 CARRIER TAPE WIDTH	D	C	(B)	(A)	MATERIAL NO.	種別 CKT.

52610-\*\*-71 MODEL NO.

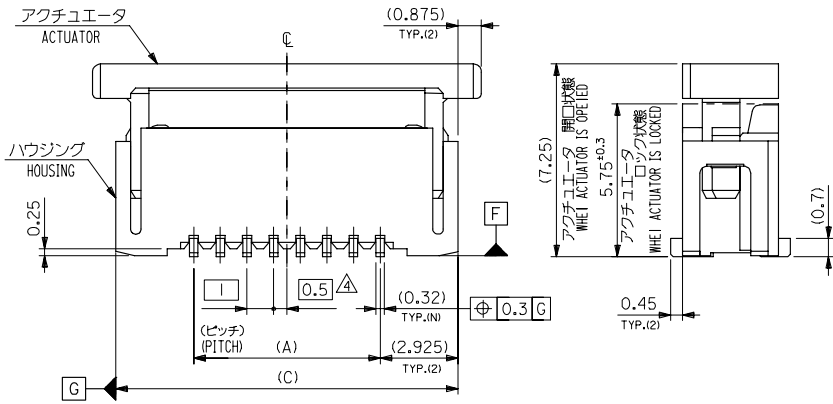
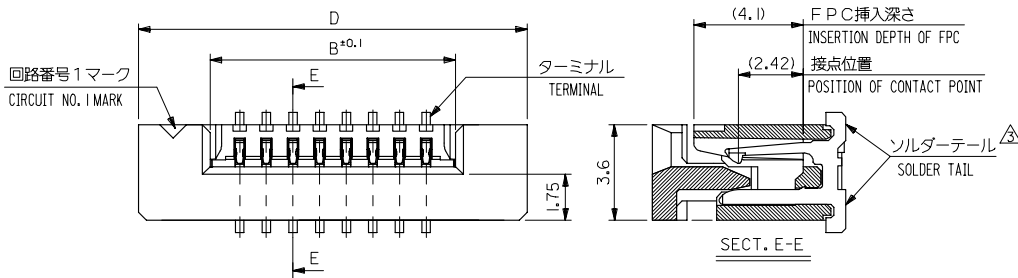
REVISED E.C. NO: J2009-2061 DRAWN BY: IRWNTKON 2009/05/20 CHYKOHMATSUNO 2009/05/21 APPR: NIKITA 2009/05/21	GENERAL TOLERANCES (UNLESS SPECIFIED)		DIMENSION STYLE MM ONLY	SCALE ---	DESIGN UNITS METRIC	THIRD ANGLE PROJECTION
	10 UNDER	±0.2	DRAWN BY T. UENO	DATE '03/12/12	TITLE 1.0 FPC CONN SMT ZIF EMBSTP PKG -LEAD FREE-	
	10 OVER 30 UNDER	±0.25	CHECKED BY M. SASAO	DATE '03/12/12	MOLEX INCORPORATED DOCUMENT NO. SD-52610-038 SHEET NO. 4 OF 5	
	30 OVER	±0.3	APPROVED BY M. SASAO	DATE '03/12/12		
	ANGULAR ±3°	DRAFT WHERE APPLICABLE MUST REMAIN WITHIN DIMENSIONS	MATERIAL NO. SEE TABLE	THIS DRAWING CONTAINS INFORMATION THAT IS PROPRIETARY TO MOLEX INCORPORATED AND SHOULD NOT BE USED WITHOUT WRITTEN PERMISSION		



56	61.4	57.4	35.25	31.32	52610-3071	30
キャリアテープ幅 CARRIER TAPE WIDTH	D	C	(B)	(A)	MATERIAL NO.	種数 CKT.

REVISED EC NO: J2009-2061 DRAWN BY: CHYKHMATSUMOTO APPROVED BY: APPR:NIKIITA	GENERAL TOLERANCES (UNLESS SPECIFIED)		DIMENSION STYLE MM ONLY	SCALE ---	DESIGN UNITS METRIC	THIRD ANGLE PROJECTION
	10 UNDER	±0.2	DRAWN BY T. UENO	DATE '03/12/12	TITLE 1.0 FPC CONN SMT ZIF EMBSTP PKG -LEAD FREE-	
	10 OVER 30 UNDER	±0.25	CHECKED BY M. SASAO	DATE '03/12/12	MOLEX INCORPORATED	
	30 OVER	±0.3	APPROVED BY M. SASAO	DATE '03/12/12	DOCUMENT NO. SD-52610-038	SHEET NO. 5 OF 5
DESCRIPTION ANGULAR ±3° DRAFT WHERE APPLICABLE MUST REMAIN WITHIN DIMENSIONS	SEE TABLE		THIS DRAWING CONTAINS INFORMATION THAT IS PROPRIETARY TO MOLEX INCORPORATED AND SHOULD NOT BE USED WITHOUT WRITTEN PERMISSION			

10 9 8 7 6 5 4 3 2 1



注記 (NOTES):

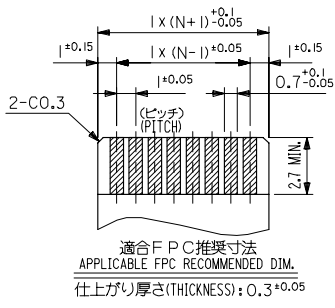
- 材料 (MATERIAL)  
 ハウジング (HOUSING): 46NYLON, UL94V-0  
 アクチュエータ (ACTUATOR): PPS, UL94V-0  
 ターミナル (TERMINAL): リン青銅 (±0.32) PHOS-BRO  
 鍍: 2%ビスマスメッキ 1. 0マイクロメートル以上  
 TIN 2% BISMUTH 1.0 MICROMETER MINIMUM  
 ニッケル下地 1. 0マイクロメートル以上  
 NICKEL (UNDER PLATING) 1.0 MICROMETER MINIMUM
- エンボステープ梱包時は、アクチュエータがロックした状態とする。  
 IN THE PACKAGE, ACTUATOR OF PART NO. 52610-\*\*16 SHOULD BE LOCKED.
- ソルダータール半田付け面のズレ量は、基準面 [F] に対し上方向 0.05 MAX., 下方向 0.15 MAX. とする。  
 MISALIGNMENT OF SOLDER TAILS FROM [F] UPPER DIRECTION: 0.05 MAX., LOWER DIRECTION: 0.15 MAX.
- 偶数極に適用。  
 APPLY FOR EVEN CIRCUIT.
- 本製品は 52610-\*\*17 の鉛フリー品です

REVISED EC NO. J2006-3196 2006/04/17 DRAWN: HABEI CHK: KATOYODA APPR: NUKITA 2006/04/18 2006/04/20	GENERAL TOLERANCES (UNLESS SPECIFIED)		DIMENSION STYLE MM ONLY		SCALE ---	MODEL NO. 52610-**16
	10 UNDER	±0.2	DRAWN BY TUENO	DATE '03/12/12	TITLE	DESIGN UNITS METRIC
	10 OVER 30 UNDER	±0.25	CHECKED BY MSASAO	DATE '03/12/12	1.0 FPC CONNECTOR Z.I.F. FOR SMT.(ST.) -LEAD FREE- MOLEX INCORPORATED	THIRD ANGLE PROJECTION
	30 OVER	±0.3	APPROVED BY MSASAO	DATE '03/12/12		DOCUMENT NO. SD-52610-041
ANGULAR ±3 °		DRAFT WHERE APPLICABLE MUST REMAIN WITHIN DIMENSIONS		SEE CHART		EN-02JA(021)



10 9 8 7 6 5 4 3 2 1

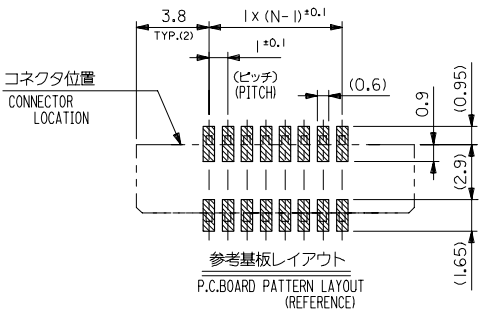
F  
E  
D  
C  
B  
A



FPCについて:  
打抜き方向は導体側から補強板側を推奨致します。  
補強フィルム材質はポリイミドを推奨致します。  
接着剤は熱硬化接着剤を推奨致します。

ABOUT FPC:  
RECOMMENDED PUNCHER DIRECTION : FROM CONDUCTOR SIDE TO STIFFENER BOARD SIDE.  
RECOMMENDED MATERIAL :  
STIFFENER FILM : POLYIMIDE  
BONDING AGENT : THERMOSETTING BONDING AGENT

36.6	34.85	31.2	29	52610-3016	30
35.6	33.85	30.2	28	-2916	29
34.6	32.85	29.2	27	-2816	28
33.6	31.85	28.2	26	-2716	27
32.6	30.85	27.2	25	-2616	26
31.6	29.85	26.2	24	-2516	25
30.6	28.85	25.2	23	-2416	24
29.6	27.85	24.2	22	-2316	23
28.6	26.85	23.2	21	-2216	22
27.6	25.85	22.2	20	-2116	21
26.6	24.85	21.2	19	-2016	20
25.6	23.85	20.2	18	-1916	19
24.6	22.85	19.2	17	-1816	18
23.6	21.85	18.2	16	-1716	17
22.6	20.85	17.2	15	-1616	16
21.6	19.85	16.2	14	-1516	15
20.6	18.85	15.2	13	-1416	14
19.6	17.85	14.2	12	-1316	13
18.6	16.85	13.2	11	-1216	12
17.6	15.85	12.2	10	-1116	11
16.6	14.85	11.2	9	-1016	10
15.6	13.85	10.2	8	-0916	9
14.6	12.85	9.2	7	-0816	8
13.6	11.85	8.2	6	-0716	7
12.6	10.85	7.2	5	-0616	6



52610-***16	11.6	9.85	6.2	4	52610-0516	5
MODEL NO.	D	(C)	B	(A)	MODEL NO.	CKT.

REVISED EC NO. J2006-3196 2006/04/17 DRAWN: HABEI CHK: KATOYODA APPR: NUKITA 2006/04/20	GENERAL TOLERANCES (UNLESS SPECIFIED)		DIMENSION STYLE MM ONLY		SCALE ---	DESIGN UNITS METRIC	THIRD ANGLE PROJECTION
	10 UNDER	± 0.2	DRAWN BY TUENO	DATE '03/12/12	TITLE 1.0 FPC CONNECTOR Z.I.F. FOR SMT. (ST.) -LEAD FREE- MOLEX INCORPORATED		
	10 OVER 30 UNDER	± 0.25	CHECKED BY MSASAO	DATE '03/12/12			
	30 OVER	± 0.3	APPROVED BY MSASAO	DATE '03/12/12			
ANGULAR ± 3 °		DRAFT WHERE APPLICABLE MUST REMAIN WITHIN DIMENSIONS		MATERIAL NO. SEE CHART	DOCUMENT NO. SD-52610-041	SHEET NO. 2 OF 2	
THIS DRAWING CONTAINS INFORMATION THAT IS PROPRIETARY TO MOLEX INCORPORATED AND SHOULD NOT BE USED WITHOUT WRITTEN PERMISSION				SIZE A3			

9 8 7 6 5 4 3 2 1 EN-02JA(021)