

PLEASE CHECK WWW.MOLEX.COM FOR LATEST PART INFORMATION

Part Number: **0524181310**
Status: **Active**
Description: 2.00mm (.079") Pitch Board-to-Board Receptacle, Right Angle, Single Row, Friction Lock, 13 Circuits

Documents:

3D Model	Product Specification PS-52418-003 (PDF)
Drawing (PDF)	RoHS Certificate of Compliance (PDF)
Product Specification PS-52418-002 (PDF)	

General

Product Family	PCB Receptacles
Series	52418
Application	Board-to-Board
Product Name	N/A

Physical

Circuits (Loaded)	13
Color - Resin	Natural
Durability (mating cycles max)	30
Glow-Wire Compliant	No
Material - Metal	Phosphor Bronze
Material - Plating Mating	Tin
Material - Plating Termination	Tin
Material - Resin	Polyester
Number of Rows	1
Orientation	Right Angle
PCB Locator	No
PCB Retention	Yes
PCB Thickness Recommended (in)	0.062 In
PCB Thickness Recommended (mm)	1.60 mm
Packaging Type	Tray
Pitch - Mating Interface (in)	0.079 In
Pitch - Mating Interface (mm)	2.00 mm
Plating min: Mating (µin)	36
Plating min: Mating (µm)	0.90
Plating min: Termination (µin)	36
Plating min: Termination (µm)	0.90
Polarized to PCB	No
Surface Mount Compatible (SMC)	No
Temperature Range - Operating	-40°C to +105°C
Termination Interface: Style	Through Hole - Kinked Pin

Electrical

Current - Maximum per Contact	1.5A
Voltage - Maximum	125V

Material Info

Reference - Drawing Numbers

Product Specification	PS-52418-002, PS-52418-003, RPS-52418-001, RPS-52418-004
Sales Drawing	SD-52418-**10

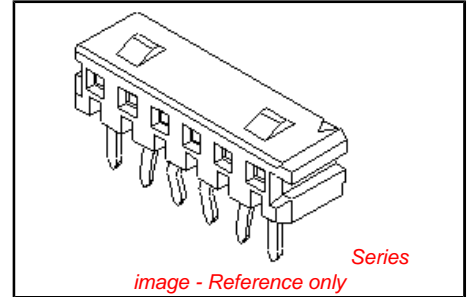


image - Reference only

EU RoHS

ELV and RoHS Compliant
REACH SVHC Contains SVHC: No
Halogen-Free Status Not Reviewed

China RoHS



Need more information on product environmental compliance?

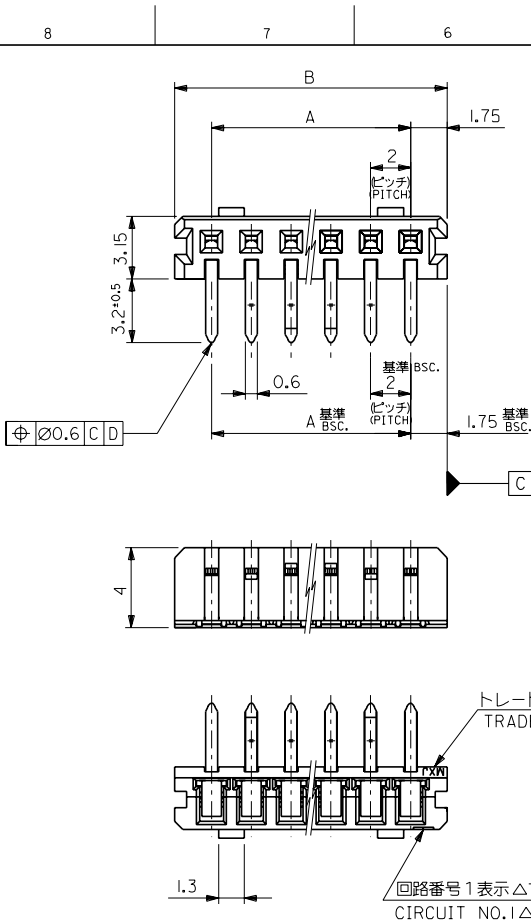
Email productcompliance@molex.com
 For a multiple part number RoHS Certificate of Compliance, [click here](#)

Please visit the [Contact Us](#) section for any non-product compliance questions.

Search Parts in this Series
52418Series

Mates With
53290

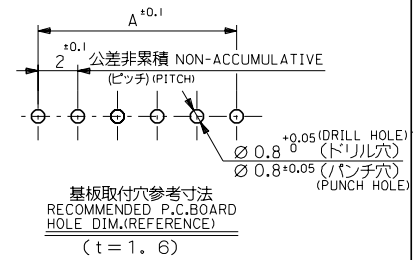
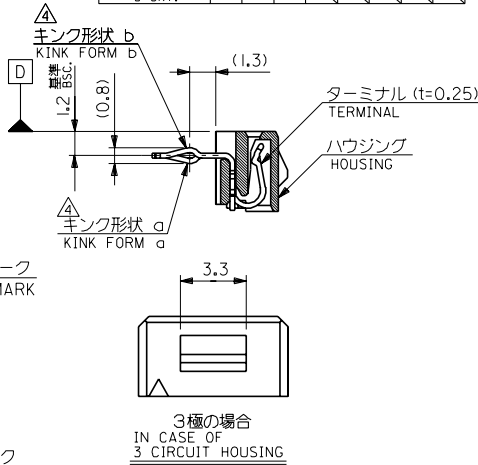
PLEASE CHECK WWW.MOLEX.COM FOR LATEST PART INFORMATION



注記 NOTES

1. 材料 MATERIAL
ハウジング: PBT (ガラス15%入り), UL94V-0
HOUSING G.F. 15%
ターミナル: リン青銅, 錫メッキ
TERMINAL PHOS.BRO. PRE-TINNED
2. 嵌合相手: 53290-**-10, -**-20
MATES WITH
3. 各部のソリは0.2MAX.
CAMBER: 0.2MAX.
キंकは、下記表の位置に付加。
KINK TO BE APPLIED AS FOLLOWS.
(N: 極数 CKT.)

極数 CKT. NO.	1	2	3	4	5	N-2	N-1	N
6極以上 MORE THAN 6 CKT.	-	a	b	-	-	b	a	-
5 極 5 CKT.	a	b	-	b	a			
4 極 4 CKT.	a	b	b	a				
3 極 3 CKT.	a	b	a					



41.5	38	52418-2010	20
39.5	36	-1910	19
37.5	34	-1810	18
35.5	32	-1710	17
33.5	30	-1610	16
31.5	28	-1510	15
29.5	26	-1410	14
27.5	24	-1310	13
25.5	22	-1210	12
23.5	20	-1110	11
21.5	18	-1010	10
19.5	16	-0910	9
17.5	14	-0810	8
15.5	12	-0710	7
13.5	10	-0610	6
11.5	8	-0510	5
9.5	6	-0410	4
7.5	4	52418-0310	3
B	A	ENG. NO.	極数 CKT.

角度 ANGLE	公差 TOL.	変更 REVISION	記号 LTR	変更内容 REVISION RECORD	DR. CHK.	日付 DATE
30以上 OVER	+0.3	B 変更 (J10812)	T-1	変更 (J10812)	M.F	93/9/23
10以上 未満 UNDER	+0.25	A 変更 (J00866)	T-1	変更 (J00866)	T-1	91/9/27
10未満 UNDER	+0.2	O 新規作成 (J00558)	S-A	新規作成 (J00558)	S-A	90/7/18

材料 MATERIAL 注記参照 SEE NOTES

仕上げ FINISH //

適用電線範囲 WIRE RANGE //

被覆外径 INS. RANGE //

DRAWN BY 93/7/11 S. AIHARA
CHK'D BY 93/9/23 T. ITO

尺度 SCALE //

MOLEX MOLEX-JAPAN CO., LTD.
日本モレックス株式会社

EDP NO. SD-52418-**-10

REV C

TITLE 名称 2.0 BOARD TO BOARD CONN. HOUSING ASS'Y (R/A)

THIS DRAWING CONTAINS INFORMATION THAT IS PROPRIETARY TO MOLEX/JAPAN AND SHOULD NOT BE USED WITHOUT WRITTEN PERMISSION
本図面は日本モレックス(株)の所有する情報を含むもので 当社の許可なく複製を禁止する。 MXJ-8