

PLEASE CHECK WWW.MOLEX.COM FOR LATEST PART INFORMATION

Part Number: [0522711379](#)
Status: **Active**
Overview:
Description: 1.00mm (.039") Pitch FFC/FPC Connector, Right Angle, SMT, ZIF, Bottom Contact Style, 13 Circuits, Lead-free, High Barrier Packaging

Agency Certification

CSA LR19980
 UL E29179

General

Product Family FFC/FPC Connectors
 Series [52271](#)
 Overview [ffc_fpc_smt](#)
 Product Name N/A

Physical

Circuits (Loaded) 13
 Color - Resin Natural
 Contact Position Bottom
 Durability (mating cycles max) 30
 Entry Angle 90° Angle
 Flammability 94V-0
 Mated Height (in) 0.118 In
 Mated Height (mm) 3.00 mm
 Material - Metal Phosphor Bronze
 Material - Plating Mating Tin-Bismuth
 Material - Plating Termination Tin-Bismuth
 Material - Resin Nylon
 Number of Rows 1
 Orientation Right Angle
 PCB Locator No
 PCB Retention Yes
 Packaging Type Embossed Tape on Reel
 Pitch - Mating Interface (in) 0.039 In
 Pitch - Mating Interface (mm) 1.00 mm
 Polarized to PCB Yes
 Stackable No
 Temperature Range - Operating -40°C to +85°C
 Termination Interface: Style Surface Mount
 Wire/Cable Type FFC/FPC

Electrical

Current - Maximum per Contact 0.5A
 Voltage - Maximum 50V AC (RMS)/DC

Material Info

Reference - Drawing Numbers

Application Specification AS-52271-001
 Packaging Specification SPK-52271-001, SPK-52271-002
 Product Specification PS-52271-053, RPS-52271-066, RPS-52271-067, RPS-52271-069, RPS-52271-070, RPS-52271-072, RPS-52271-073, RPS-52271-075, RPS-52271-080, RPS-52271-085, RPS-52271-087, RPS-52271-091
 Sales Drawing SD-52271-036, SD-52271-037

EU RoHS
ELV and RoHS
Compliant
REACH SVHC
Contains SVHC: No
Halogen-Free
Status
Not Halogen-Free

China RoHS



Need more information on product environmental compliance?

Email productcompliance@molex.com
 For a multiple part number RoHS Certificate of Compliance, [click here](#)

Please visit the [Contact Us](#) section for any non-product compliance questions.

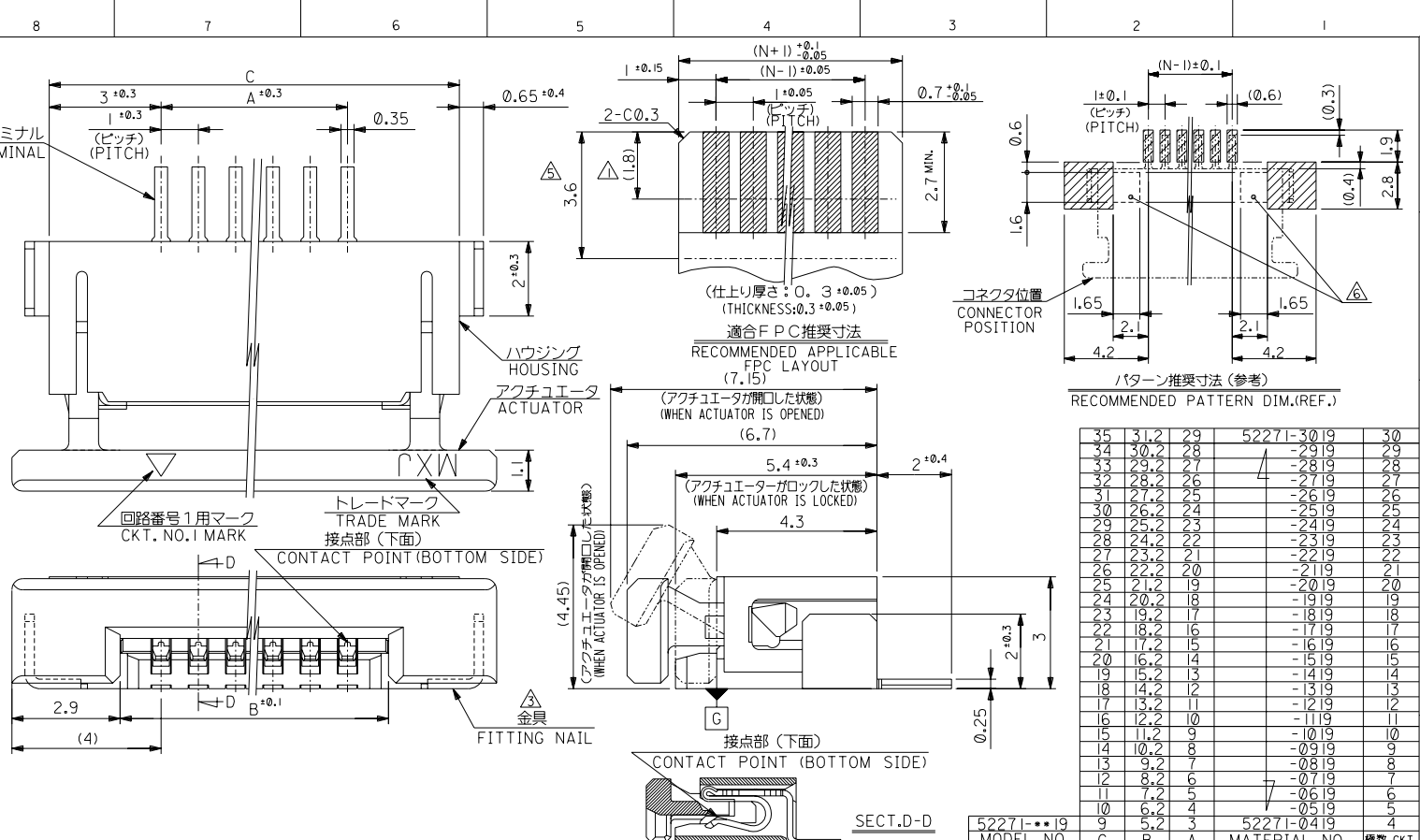
Search Parts in this Series
[52271Series](#)

This document was generated on 06/04/2010

PLEASE CHECK WWW.MOLEX.COM FOR LATEST PART INFORMATION

DWG. NO. SD-52271-036

MM DIMENSIONS IN METRIC DO NOT SCALE DRAWING

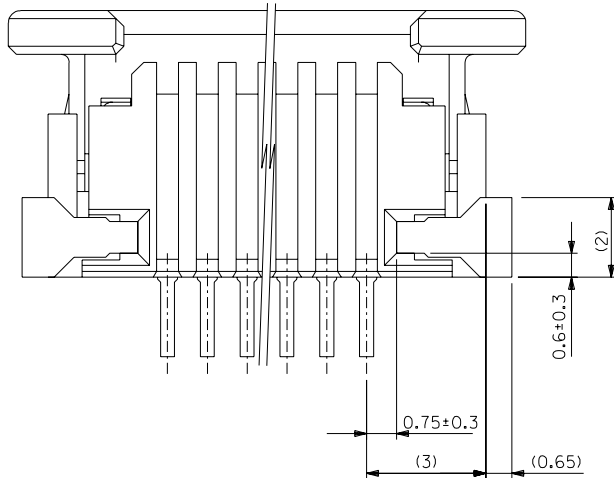


52271-019	MODEL NO.	C	B	A	52271-049	MATERIAL NO.	種数 CKT.
材料 MATERIAL							
注記参照 SEE NOTES							
仕上げ FINISH							
注記参照 SEE NOTES							
適用電線範囲 WIRE RANGE							
被覆外径 INS. RANGE							
DRAWN BY 04/03/12 K.TOUJO							
CHK'D BY 04/03/12 M.SASAO							
APP'D BY 04/03/12 M.SASAO							
SCALE							

角度 ANGLE	°	公差 TOLERANCE	変更 REVISION	理由 REASON	作成日 DATE	作成者 CREATOR	承認者 APPROVER
30以上 OVER	+0.3	B	変更 REVIS	12004-3550	04/04/02	K.TOUJO	M.SASAO
10以上 OVER 30 UNDER	+0.25	A	変更 REVIS	12004-3370	04/03/25	K.TOUJO	M.SASAO
10 UNDER	+0.2	0	新規作成 RELEASED	12004-3050	04/03/12	K.TOUJO	M.SASAO

THIS DRAWING CONTAINS INFORMATION THAT IS PROPRIETARY TO MOLEX/JAPAN AND SHOULD NOT BE USED WITHOUT WRITTEN PERMISSION
本図面は日本モレックス(株)の所有する情報を含むもので、当社の許可なく複製を禁止する。 EN-01C(032)MXJ-32

8 7 6 5 4 3 2 1



下面図

注記 NOTES

- △ 接点部までの嵌合長さ。
LENGTH TO CONTACT POINT.
- 2. 使用材料 MATERIAL
 - ハウジング : 46ナイロン, UL94V-0
 - アクチュエータ : PPS, UL94V-0
 - ターミナル : ジン青銅 (t=0.25)
 - メッキ : PHOS-BRO.(t=0.25)
 - メッキ : 銅-ビスムス 1.0 マイクロメートル以上
 - メッキ : ニッケル下地 1.0 マイクロメートル以上
- △ パターンはくり止め用金具
FITTING NAIL FOR PREVENTION OF PEELING OF P.C.B.PATTERN.
- 4. エンボステーパ梱包時は、アクチュエータがロックした状態とする。
WHEN CONNECTOR IS SHIPPED, ACTUATOR SHOULD BE LOCKED.
- △ FPC挿入深さ。
INSERTION DEPTH OF FPC
- △ パターン書き込み禁止エリア。
NO FOOT PRINT AREA.
- 7. 本製品は52271-**-17の鉛フリー品である。
THIS PRODUCT IS LEAD FREE OF 52271-**-17.

FPCについて:

打抜き方向は導体側から補強板側を推奨致します。
補強フィルム材質はポリイミドを推奨致します。
接着剤は熱硬化接着剤を推奨致します。

ABOUT FPC:
RECOMMENDED PUNCHER DIRECTION FROM CONDUCTOR SIDE TO STIFFENER BOARD SIDE.
RECOMMENDED MATERIAL :
STIFFENER FILM : POLYIMIDE
BONDING AGENT : THERMOSETTING BONDING AGENT

MODEL NO. 52271-**-19

		材料 MATERIAL		注記参照 SEE NOTES	MOLEX-JAPAN CO.,LTD. 日本モレックス株式会社
		仕上げ FINISH		注記参照 SEE NOTES	
		適用電線範囲 WIRE RANGE		---	REVISE ONLY ON CAD SYSTEM
		被覆外径 INS. RANGE		---	TITLE 名称
		DRAWN BY: 04/03/12 H.KAWABATA		CHK'D BY: 04/03/12 K.TOJO	I.O FPC CONN. Z.I.F. SMT (BOTTOM CONTACT)
		APP'D BY: 04/03/12 M.SASAO		尺度 SCALE	-LEAD FREE-
		DWG. NO. (SHEET 2 OF 2) REV			SD-52271-036 B
角度 ANGLE	+3°				
30 以上 OVER	+0.3	B 変更 REVISD	02004-3550	04/04/02	
10 以上 未満 OVER 30 UNDER	+0.25	A 変更 REVISD	02004-3370	04/03/12	
10 未満 UNDER	+0.2	O 新規作成 RELEASED	02004-3059	04/03/12	
一般公差 GENERAL TOLERANCES		記号 LTR	変更内容 REVISION RECORD	日付 DATE	

THIS DRAWING CONTAINS INFORMATION THAT IS PROPRIETARY TO MOLEX/JAPAN AND SHOULD NOT BE USED WITHOUT WRITTEN PERMISSION
本図面は日本モレックス(株)の所有する情報を含むもので、当社の許可なく複製を禁止する。

EN-01C1032)MXJ-32

8

7

6

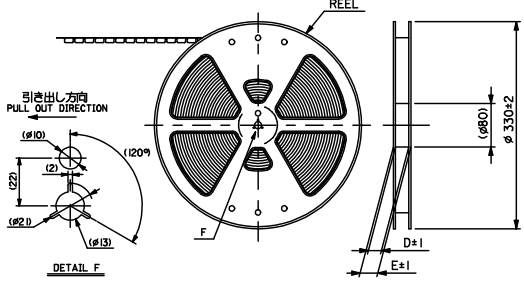
5

4

3

2

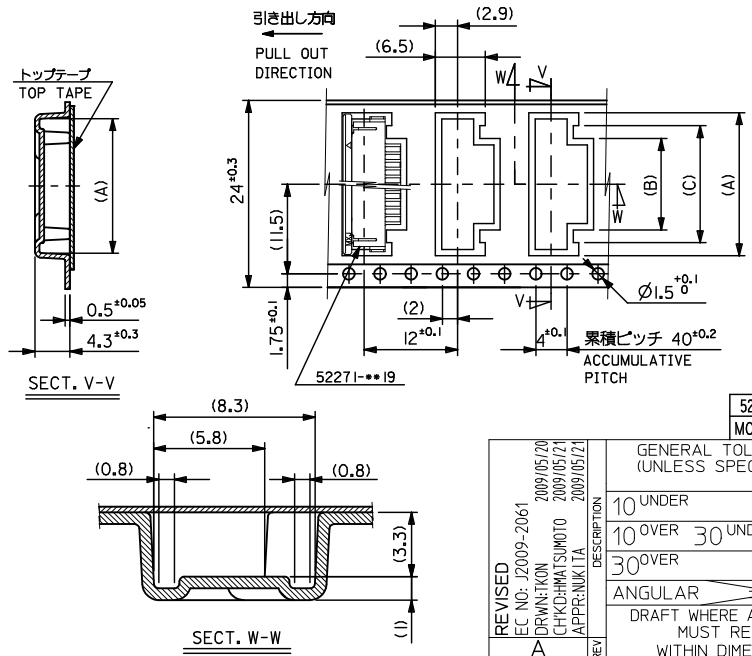
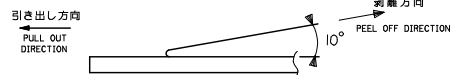
1



NOTES

- 製品番号 52271-**19 の梱包状態はアクチュエータがロックした状態とする。
IN THE PACKAGE, ACTUATOR OF PART NO. 52271-**19 SHOULD BE LOCKED RE DETAILED DIMENSIONS, SEE SD-52271-036.
- 梱包数量：1000個/リール
NUMBER OF CONNECTORS：1000 PCS/REEL
- リードテープ長さ LEAD TAPE LENGTH
トップテープ リーダー部 TOP TAPE LEADER PART 175±25
トップテープ 未接着部 TOP TAPE NON-BONDED PART 25±5

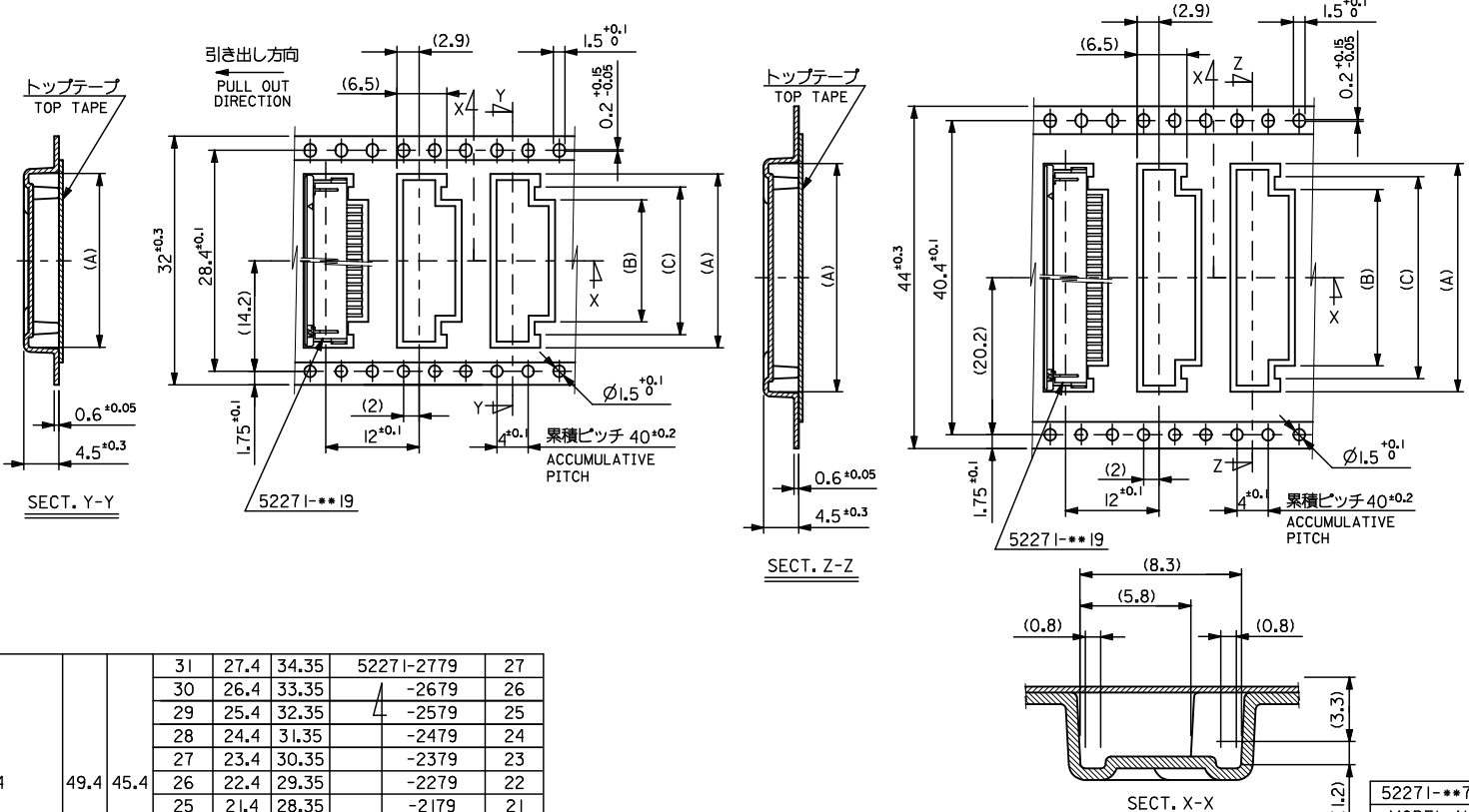
- トップテープの剥離強度：0.1～1.3N (10～130gf) (剥離方向は図参照) 尚、本規格値は、出荷時に適用。(但し、輸送時に剥離が発生しない事)
PEELING OFF FORCE OF TOP TAPE：0.1～1.3N (10～130gf)
(PEELING DIRECTION AS SHOWN IN FOLLOWING FIG.)
(THIS REQUIREMENT SHOULD BE APPLIED AT SHIPMENT
PEEL OFF SHOULD NOT BE ALLOWED, DURING TRANSPORTATION)
- 材料 (MATERIAL)
キャリアテープ (CARRIER TAPE)：ポリプロピレン (POLYPROPYLENE)
トップテープ (TOP TAPE)：PET, PE, PEF
リール (REEL)：ポリスチレン (PS) <リサイクル材を含む>
POLYSTYREN (PS) <RECYCLE MATERIAL CONTAINED>
本製品は52271-**90の鉛フリー品である。
THIS PRODUCT IS LEAD FREE OF 52271-**90.
- 本製品は乾燥剤入り、ハイバリア梱包仕様である。
THIS PRODUCT IS HIGH BARRIER PACKAGE WITH DESICCANT.



24	29.4	25.4	15	11.4	18.3	52271-1179	11
			14	10.4	17.3	-1079	10
			13	9.4	16.3	-0979	9
			12	8.4	15.3	-0879	8
			11	7.4	14.3	-0779	7
			10	6.4	13.3	-0679	6
			9	5.4	12.3	-0579	5
			8	4.4	11.3	52271-0479	4

52271-**79	キャリアテープ幅 CARRIER TAPE WIDTH	E	D	(C)	(B)	(A)	MATERIAL NO.	単位 UNIT
GENERAL TOLERANCES (UNLESS SPECIFIED)			DIMENSION STYLE MM ONLY		SCALE ---		DESIGN UNITS METRIC	
DRAWN BY H. KAWABATA			DATE 2004/03/12		TITLE EMBOSSSED TAPE PACKAGE FOR 52271-**19 -LEAD FREE-			
CHECKED BY K. TOJO			DATE 2004/03/12		MOLEX INCORPORATED			
APPROVED BY M. SASAO			DATE 2004/03/12		DOCUMENT NO. SD-52271-037			
MATERIAL NO. SEE TABLE			SIZE A3		SHEET NO. 1 OF 3			
THIS DRAWING CONTAINS INFORMATION THAT IS PROPRIETARY TO MOLEX INCORPORATED AND SHOULD NOT BE USED WITHOUT WRITTEN PERMISSION								

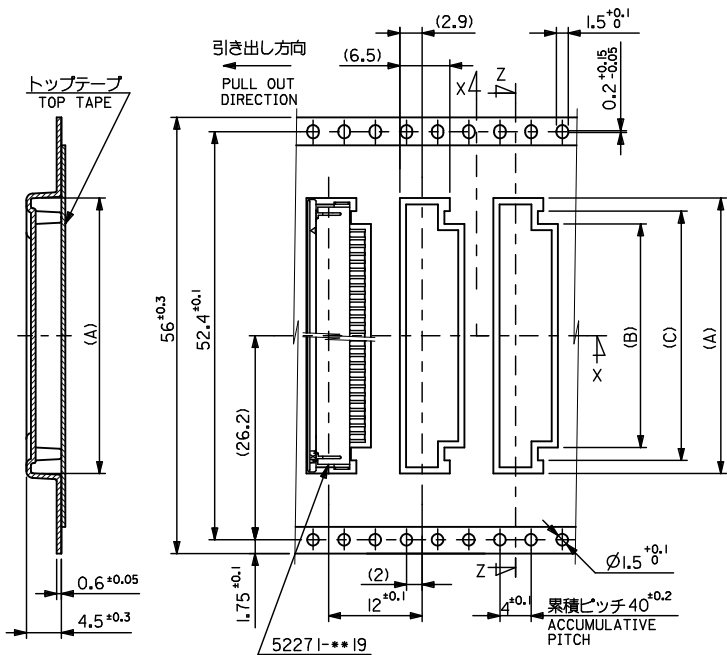
10 9 8 7 6 5 4 3 2 1



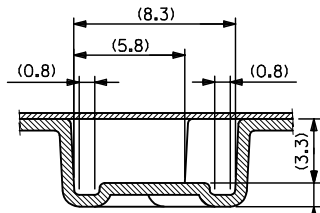
			31	27.4	34.35	5227I-2779	27
			30	26.4	33.35	-2679	26
			29	25.4	32.35	-2579	25
			28	24.4	31.35	-2479	24
			27	23.4	30.35	-2379	23
			26	22.4	29.35	-2279	22
			25	21.4	28.35	-2179	21
			24	20.4	27.35	-2079	20
			23	19.4	26.35	-1979	19
			22	18.4	25.35	-1879	18
			21	17.4	24.35	-1779	17
			20	16.4	23.35	-1679	16
			19	15.4	22.35	-1579	15
			18	14.4	21.35	-1479	14
			17	13.4	20.35	-1379	13
			16	12.4	19.35	5227I-1279	12
						5227I-2779	27
						-2679	26
						-2579	25
						-2479	24
						-2379	23
						-2279	22
						-2179	21
						-2079	20
						-1979	19
						-1879	18
						-1779	17
						-1679	16
						-1579	15
						-1479	14
						-1379	13
						5227I-1279	12

REVISED EC NO: J2009-2061 DRAWN BY DRYUNTKON 2009/05/20 CHKDHMATSUMOTO 2009/05/21 APPR:NIKIITA 2009/05/21	DESCRIPTION A	GENERAL TOLERANCES (UNLESS SPECIFIED)	DIMENSION STYLE MM ONLY	SCALE ---	DESIGN UNITS METRIC	THIRD ANGLE PROJECTION
		10 UNDER ±0.2 10 OVER 30 UNDER ±0.25 30 OVER ±0.3 ANGULAR ±3	DRAWN BY H. KAWABATA 2004/03/12	DATE 2004/03/12	TITLE EMBOSSSED TAPE PACKAGE FOR 5227I-**19 -LEAD FREE-	
		DRAFT WHERE APPLICABLE MUST REMAIN WITHIN DIMENSIONS	APPROVED BY M. SASAO 2004/03/12	DATE 2004/03/12	MOLEX INCORPORATED	DOCUMENT NO. SD-5227I-037
			MATERIAL NO. SEE TABLE	SIZE A3		SHEET NO. 2 OF 3

10 9 8 7 6 5 4 3 2 1



SECT. Z-Z



SECT. X-X

56	61.4	57.4	34	30.4	37.35	52271-3079	30
			33	29.4	36.35	52271-2979	29
			32	28.4	35.35	52271-2879	28
キャリアテープ幅 CARRIER TAPE WIDTH	E	D	(C)	(B)	(A)	MATERIAL NO.	巻数 Ck.F.

ib_frame_A3_J_ME_S
Rev. E 2006/04/15

REVISED		GENERAL TOLERANCES (UNLESS SPECIFIED)		DIMENSION STYLE		SCALE		MODEL NO.		52271-***79	
EC NO: J2009-2061	2009/05/20	10 UNDER	±0.2	MM ONLY		---		DESIGN UNITS		THIRD ANGLE PROJECTION	
DRAWN BY: H. KAWABATA	2009/05/21	10 OVER 30 UNDER	±0.25	DATE		2004/03/12		METRIC		TITLE	
CHECKED BY: K. TOJO	2009/05/21	30 OVER	±0.3	DATE		2004/03/12		MOLEX INCORPORATED		EMBOSSSED TAPE PACKAGE FOR 52271-***19 -LEAD FREE-	
APPROVED BY: M. SASAO	2009/05/21	ANGULAR	±3	DATE		2004/03/12		MOLEX INCORPORATED		SD-52271-037	
DESCRIPTION: CHYKOHMATSUOTO	2009/05/21	DRAFT WHERE APPLICABLE MUST REMAIN WITHIN DIMENSIONS		MATERIAL NO.		SEE TABLE		DOCUMENT NO.		SHEET NO.	
REV: A				SIZE		A3		INCORPORATED AND SHOULD NOT BE USED WITHOUT WRITTEN PERMISSION		3 OF 3	

EN-02JA(021)