

PLEASE CHECK WWW.MOLEX.COM FOR LATEST PART INFORMATION

Part Number: [0522710479](#)
Status: **Active**
Overview:
Description: 1.00mm (.039") Pitch FFC/FPC Connector, Right Angle, SMT, ZIF, Bottom Contact Style, 4 Circuits, Lead-free, High Barrier Packaging

Agency Certification

CSA LR19980
 UL E29179

General

Product Family FFC/FPC Connectors
 Series [52271](#)
 Overview [ffc_fpc_smt](#)
 Product Name N/A

Physical

Circuits (Loaded) 4
 Color - Resin Natural
 Contact Position Bottom
 Durability (mating cycles max) 30
 Entry Angle 90° Angle
 Flammability 94V-0
 Mated Height (in) 0.118 In
 Mated Height (mm) 3.00 mm
 Material - Metal Phosphor Bronze
 Material - Plating Mating Tin-Bismuth
 Material - Plating Termination Tin-Bismuth
 Material - Resin Nylon
 Number of Rows 1
 Orientation Right Angle
 PCB Locator No
 PCB Retention Yes
 Packaging Type Embossed Tape on Reel
 Pitch - Mating Interface (in) 0.039 In
 Pitch - Mating Interface (mm) 1.00 mm
 Polarized to PCB Yes
 Stackable No
 Temperature Range - Operating -40°C to +85°C
 Termination Interface: Style Surface Mount
 Wire/Cable Type FFC/FPC

Electrical

Current - Maximum per Contact 0.5A
 Voltage - Maximum 50V AC (RMS)/DC

Material Info

Reference - Drawing Numbers

Application Specification AS-52271-001
 Packaging Specification SPK-52271-001, SPK-52271-002
 Product Specification PS-52271-053, RPS-52271-041, RPS-52271-066, RPS-52271-067, RPS-52271-069, RPS-52271-070, RPS-52271-072, RPS-52271-073, RPS-52271-075, RPS-52271-080, RPS-52271-085, RPS-52271-087, RPS-52271-091
 Sales Drawing SD-52271-036, SD-52271-037

EU RoHS
ELV and RoHS
Compliant
REACH SVHC
Contains SVHC: No
Halogen-Free
Status
Not Halogen-Free

China RoHS



Need more information on product environmental compliance?

Email productcompliance@molex.com
 For a multiple part number RoHS Certificate of Compliance, [click here](#)

Please visit the [Contact Us](#) section for any non-product compliance questions.

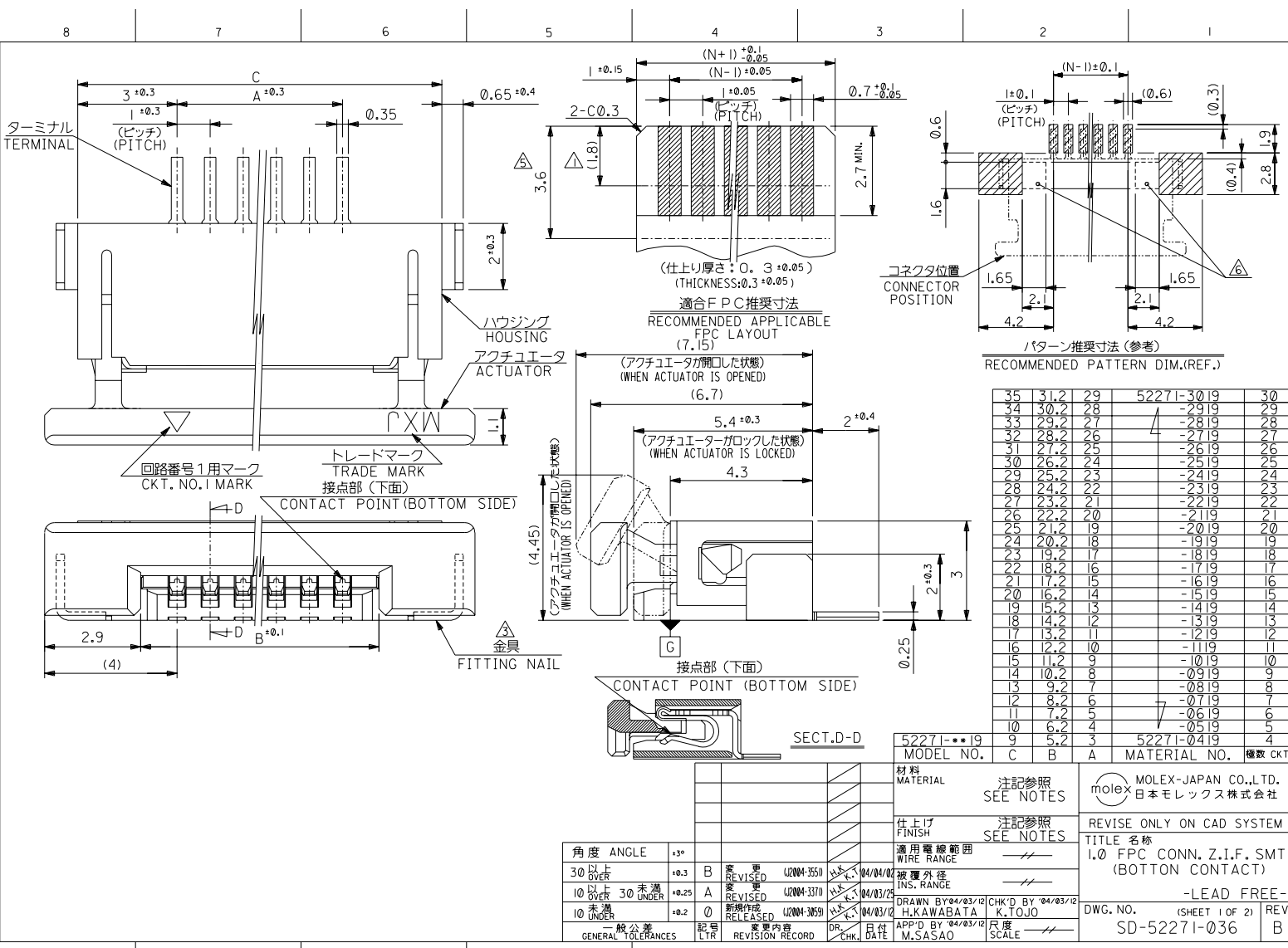
Search Parts in this Series
[52271Series](#)

This document was generated on 06/04/2010

PLEASE CHECK WWW.MOLEX.COM FOR LATEST PART INFORMATION

DWG. NO. SD-52271-036

MM DIMENSIONS IN METRIC DO NOT SCALE DRAWING



35	31.2	29	52271-30	19	30
34	30.2	28	-	29	29
33	29.2	27	4	28	28
32	28.2	26	-	27	27
31	27.2	25	-	26	26
30	26.2	24	-	25	25
29	25.2	23	-	24	24
28	24.2	22	-	23	23
27	23.2	21	-	22	22
26	22.2	20	-	21	21
25	21.2	19	-	20	20
24	20.2	18	-	19	19
23	19.2	17	-	18	18
22	18.2	16	-	17	17
21	17.2	15	-	16	16
20	16.2	14	-	15	15
19	15.2	13	-	14	14
18	14.2	12	-	13	13
17	13.2	11	-	12	12
16	12.2	10	-	11	11
15	11.2	9	-	10	10
14	10.2	8	-	9	9
13	9.2	7	-	8	8
12	8.2	6	7	7	7
11	7.2	5	-	6	6
10	6.2	4	-	5	5
9	5.2	3	-	4	4

角度 ANGLE	±3°
30以上 OVER	±0.3
10以上 OVER 30 未満 UNDER	±0.25
10 未満 UNDER	±0.2
一般公差 GENERAL TOLERANCES	

52271-019 MODEL NO. C B A

材料 MATERIAL 注記参照 SEE NOTES

仕上げ FINISH 注記参照 SEE NOTES

適用電線範囲 WIRE RANGE 被覆外径 INS. RANGE

DRAWN BY 04/03/12 K.TOUJO
APP'D BY 04/03/12 M.SASAO

モレックス MOLEX-JAPAN CO.,LTD. 日本モレックス株式会社

REVISE ONLY ON CAD SYSTEM

TITLE 名称 1.0 FPC CONN. Z.I.F. SMT (BOTTOM CONTACT)

-LEAD FREE-

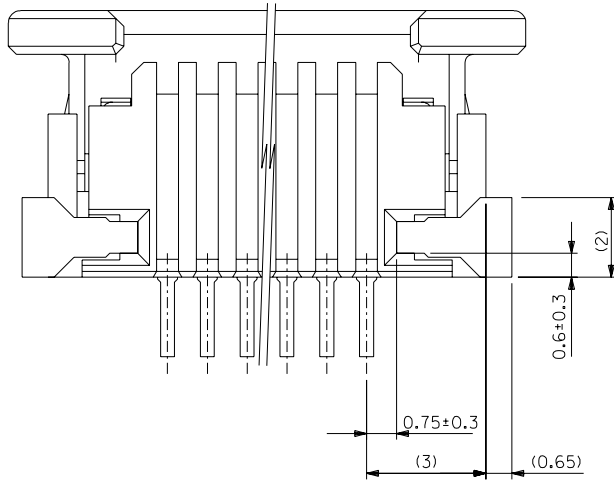
DWG. NO. SD-52271-036 (SHEET 1 OF 2) REV B

THIS DRAWING CONTAINS INFORMATION THAT IS PROPRIETARY TO MOLEX/JAPAN AND SHOULD NOT BE USED WITHOUT WRITTEN PERMISSION. 本図面は日本モレックス(株)の所有する情報を含むもので、当社の許可なく複製を禁止する。 EN-01C(032)MXJ-32

DWG. NO. SD-52271-036

DIMENSIONS IN METRIC DO NOT SCALE DRAWING

8 7 6 5 4 3 2 1



下面図

注記 NOTES

- △ 接点部までの嵌合長さ。
LENGTH TO CONTACT POINT.
2. 使用材料 MATERIAL
 - ハウジング : 46ナイロン, UL94V-0
 - アクチュエータ : PPS, UL94V-0
 - ターミナル : ジン青銅 (t=0.25)
 - メッキ : PHOS-BRO.(t=0.25)
 - メッキ : 銅-ビスムス 1.0 マイクロメートル以上
 - メッキ : ニッケル下地 1.0 マイクロメートル以上
- △ パターンはくり止め用金具
FITTING NAIL FOR PREVENTION OF PEELING OF P.C.B.PATTERN.
4. エンボステーパ梱包時は、アクチュエータがロックした状態とする。
WHEN CONNECTOR IS SHIPPED, ACTUATOR SHOULD BE LOCKED.
- △ FPC挿入深さ。
INSERTION DEPTH OF FPC
- △ パターン書き込み禁止エリア。
NO FOOT PRINT AREA.
7. 本製品は52271-**-17の鉛フリー品である。
THIS PRODUCT IS LEAD FREE OF 52271-**-17.

FPCについて:

打抜き方向は導体側から補強板側を推奨致します。
補強フィルム材質はポリイミドを推奨致します。
接着剤は熱硬化接着剤を推奨致します。

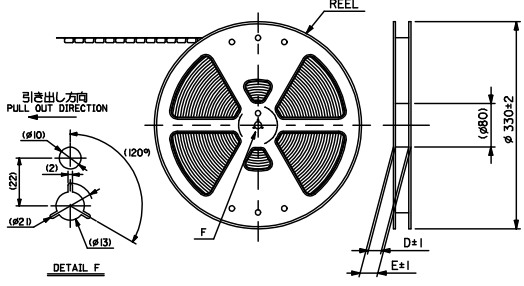
ABOUT FPC:
RECOMMENDED PUNCHER DIRECTION FROM CONDUCTOR SIDE TO STIFFENER BOARD SIDE.
RECOMMENDED MATERIAL :
STIFFENER FILM : POLYIMIDE
BONDING AGENT : THERMOSETTING BONDING AGENT

MODEL NO. 52271-**-19

		材料 MATERIAL		注記参照 SEE NOTES	MOLEX-JAPAN CO.,LTD. 日本モレックス株式会社
		仕上げ FINISH		注記参照 SEE NOTES	
		適用電線範囲 WIRE RANGE		---	REVISE ONLY ON CAD SYSTEM
		被覆外径 INS. RANGE		---	TITLE 名称
		DRAWN BY: 04/03/12 H.KAWABATA		CHK'D BY: 04/03/12 K.TOJO	I.O FPC CONN. Z.I.F. SMT (BOTTOM CONTACT)
		APP'D BY: 04/03/12 M.SASAO		尺度 SCALE	-LEAD FREE-
		DWG. NO. (SHEET 2 OF 2) REV			SD-52271-036 B
角度 ANGLE	+3°				
30 以上 OVER	+0.3	B	変更 REVISD (2004-3550)	04/04/02	
10 以上 未満 OVER 30 UNDER	+0.25	A	変更 REVISD (2004-3370)	04/03/12	
10 未満 UNDER	+0.2	O	新規作成 RELEASED (2004-3059)	04/03/12	
一般公差 GENERAL TOLERANCES		記号 ITR	変更内容 REVISION RECORD	日付 DATE	

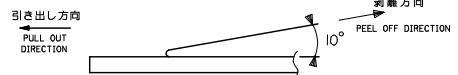
THIS DRAWING CONTAINS INFORMATION THAT IS PROPRIETARY TO MOLEX/JAPAN AND SHOULD NOT BE USED WITHOUT WRITTEN PERMISSION
本図面は日本モレックス(株)の所有する情報を含むもので、当社の許可なく複製を禁止する。 EN-01C(032)MXJ-32

8 7 6 5 4 3 2 1

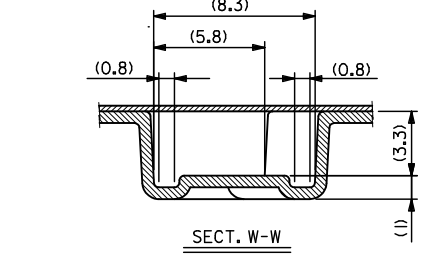
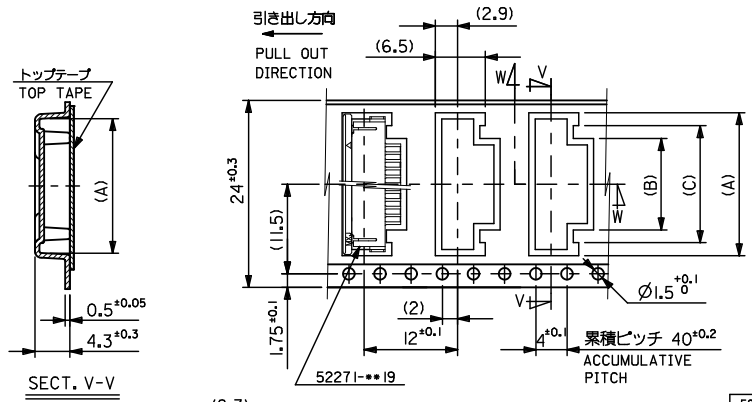


NOTES

- 製品番号 52271-**19 の梱包状態はアクチュエータがロックした状態とする。
IN THE PACKAGE, ACTUATOR OF PART NO. 52271-**19 SHOULD BE LOCKED RE DETAILED DIMENSIONS, SEE SD-52271-036.
- 梱包数量：1000個/リール
NUMBER OF CONNECTORS：1000 PCS/REEL
- リードテープ長さ LEAD TAPE LENGTH
トップテープ リーダー部 TOP TAPE LEADER PART 175±25
トップテープ 未接着部 TOP TAPE NON-BONDED PART 25±5
- トップテープの剥離強度：0.1～1.3N (10～130gf) (剥離方向は図参照) 尚、本規格値は、出荷時に適用。(但し、輸送時に剥離が発生しない事)
PEELING OFF FORCE OF TOP TAPE：0.1～1.3N (10～130gf)
(PEELING DIRECTION AS SHOWN IN FOLLOWING FIG.)
(THIS REQUIREMENT SHOULD BE APPLIED AT SHIPMENT
PEEL OFF SHOULD NOT BE ALLOWED, DURING TRANSPORTATION)



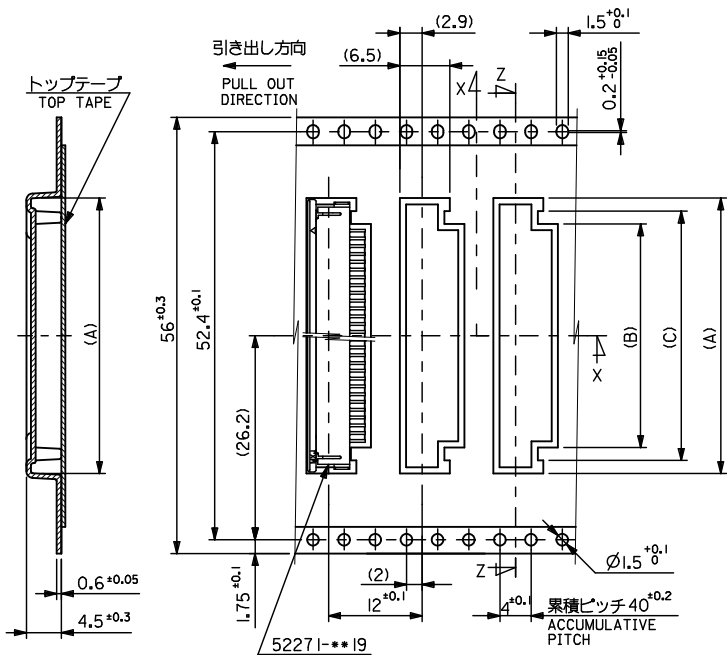
- 材料 (MATERIAL)
キャリアテープ (CARRIER TAPE)：ポリプロピレン (POLYPROPYLENE)
トップテープ (TOP TAPE)：PET, PE, PEF
リール (REEL)：ポリスチレン (PS) <リサイクル材を含む>
POLYSTYREN (PS) <RECYCLE MATERIAL CONTAINED>
- 本製品は52271-**90の鉛フリー品である。
THIS PRODUCT IS LEAD FREE OF 52271-**90.
- 本製品は乾燥剤入り、ハイバリア梱包仕様である。
THIS PRODUCT IS HIGH BARRIER PACKAGE WITH DESICCANT.



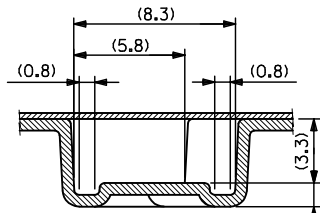
24	29.4	25.4	15	11.4	18.3	52271-1179	11	
			14	10.4	17.3	-1079	10	
			13	9.4	16.3	-0979	9	
			12	8.4	15.3	-0879	8	
			11	7.4	14.3	-0779	7	
			10	6.4	13.3	-0679	6	
			9	5.4	12.3	-0579	5	
			8	4.4	11.3	52271-0479	4	
			MODEL NO.	CARRIER TAPE WIDTH	E	D	(C)	(B)

REVISED EC NO: J2009-2061 DRAWN BY CHYKOHMATSUNO 2009/05/21 APPROVED BY APPRNKIKITA 2009/05/21	GENERAL TOLERANCES (UNLESS SPECIFIED)		DIMENSION STYLE MM ONLY		SCALE ---	DESIGN UNITS METRIC	THIRD ANGLE PROJECTION
	10 UNDER	±0.2	DRAWN BY H. KAWABATA	DATE 2004/03/12	TITLE EMBOSSSED TAPE PACKAGE FOR 52271-**19 -LEAD FREE-		
	10 OVER 30 UNDER	±0.25	CHECKED BY K. TOJO	DATE 2004/03/12	MOLEX INCORPORATED		
	30 OVER	±0.3	APPROVED BY M. SASAO	DATE 2004/03/12	DOCUMENT NO. SD-52271-037	SHEET NO. 1 OF 3	
ANGULAR DRAFT WHERE APPLICABLE MUST REMAIN WITHIN DIMENSIONS		±3	MATERIAL NO. SEE TABLE		SIZE A3 THIS DRAWING CONTAINS INFORMATION THAT IS PROPRIETARY TO MOLEX INCORPORATED AND SHOULD NOT BE USED WITHOUT WRITTEN PERMISSION		

10 9 8 7 6 5 4 3 2 1



SECT. Z-Z



SECT. X-X

56	61.4	57.4	34	30.4	37.35	52271-3079	30
			33	29.4	36.35	52271-2979	29
			32	28.4	35.35	52271-2879	28
キャリアテープ幅 CARRIER TAPE WIDTH	E	D	(C)	(B)	(A)	MATERIAL NO.	巻数 Ck.F.

ib_frame_A3_J_ME_S
Rev. E 2006/04/15

REVISED		GENERAL TOLERANCES (UNLESS SPECIFIED)		DIMENSION STYLE		SCALE	DESIGN UNITS	MODEL NO.	
EC NO: J2009-2061	2009/05/20	10 UNDER	±0.2	MM ONLY	DATE	---	METRIC	52271-**-79	
DRW: KON	2009/05/21	10 OVER 30 UNDER	±0.25	DRAWN BY H. KAWABATA		THIRD ANGLE PROJECTION		TITLE	
CHK: H. MATSUMOTO	2009/05/21	30 OVER	±0.3	DATE 2004/03/12		EMBOSSSED TAPE PACKAGE FOR 52271-**-19 -LEAD FREE-			
APP: R. ITO	2009/05/21	ANGULAR ±3		CHECKED BY K. TOJO		DATE 2004/03/12		APPROVED BY M. SASAO	
DESCRIPTION		DRAFT WHERE APPLICABLE MUST REMAIN WITHIN DIMENSIONS		DATE 2004/03/12		MOLEX INCORPORATED		DOCUMENT NO.	
REV: A		SEE TABLE		MATERIAL NO.		SD-52271-037		SHEET NO.	
		THIS DRAWING CONTAINS INFORMATION THAT IS PROPRIETARY TO MOLEX INCORPORATED AND SHOULD NOT BE USED WITHOUT WRITTEN PERMISSION		SIZE		3 OF 3			

EN-02JA(021)