

PLEASE CHECK WWW.MOLEX.COM FOR LATEST PART INFORMATION

Part Number: [0522072485](#)
Status: **Active**
Overview:
Description: 1.00mm (.039") Pitch FFC/FPC Connector, SMT, Right Angle, ZIF, Top Contact Style Receptacle, 24 Circuits, Lead-free, High Barrier Packaging

Agency Certification

CSA LR19980
 UL E29179

General

Product Family FFC/FPC Connectors
 Series [52207](#)
 Overview [ffc_fpc_smt](#)
 Product Name N/A

Physical

Circuits (Loaded) 24
 Color - Resin Natural
 Contact Position Top
 Durability (mating cycles max) 30
 Entry Angle 90° Angle
 Flammability 94V-0
 Mated Height (in) 0.106 In
 Mated Height (mm) 2.70 mm
 Material - Metal Phosphor Bronze
 Material - Plating Mating Tin-Bismuth
 Material - Resin Nylon
 Number of Rows 1
 Orientation Right Angle
 PC Tail Length (in) 0.079 In
 PC Tail Length (mm) 2.00 mm
 PCB Locator No
 PCB Retention Yes
 Packaging Type Embossed Tape on Reel
 Pitch - Mating Interface (in) 0.039 In
 Pitch - Mating Interface (mm) 1.00 mm
 Polarized to PCB Yes
 Stackable No
 Temperature Range - Operating -30°C to +85°C
 Termination Interface: Style Surface Mount
 Wire/Cable Type FFC/FPC

Electrical

Current - Maximum per Contact 1A
 Voltage - Maximum 125V

Material Info

Reference - Drawing Numbers

Packaging Specification SPK-52207-001, SPK-52207-002
 Product Specification PS-52207-047, RPS-52207-063, RPS-52207-065, RPS-52207-067, RPS-52207-069, RPS-52207-072, RPS-52207-079, RPS-52207-080, RPS-52207-081, RPS-52207-082, RPS-52207-083, RPS-52207-086, RPS-52207-087, RPS-52207-088, RPS-52207-091, RPS-52207-093, RPS-52207-096, RPS-52207-097,

EU RoHS
ELV and RoHS
Compliant
REACH SVHC
Contains SVHC: No
Halogen-Free
Status
Not Halogen-Free

China RoHS



Need more information on product environmental compliance?

Email productcompliance@molex.com
 For a multiple part number RoHS Certificate of Compliance, [click here](#)

Please visit the [Contact Us](#) section for any non-product compliance questions.

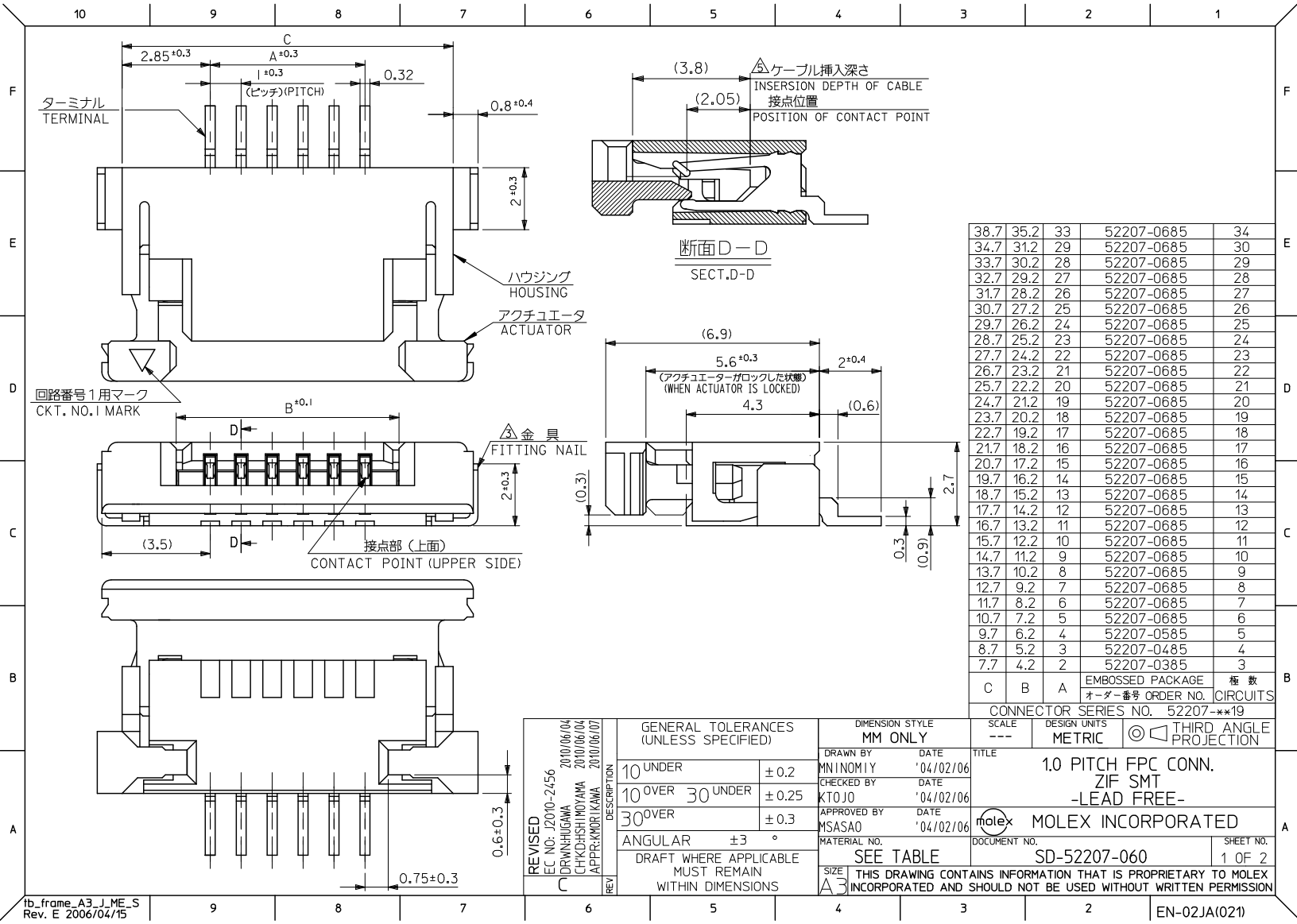
Search Parts in this Series
[52207Series](#)

Sales Drawing

RPS-52207-098, RPS-52207-100, RPS-52207-102,
RPS-52207-107
SD-52207-060, SD-52207-061

This document was generated on 06/04/2010

PLEASE CHECK WWW.MOLEX.COM FOR LATEST PART INFORMATION

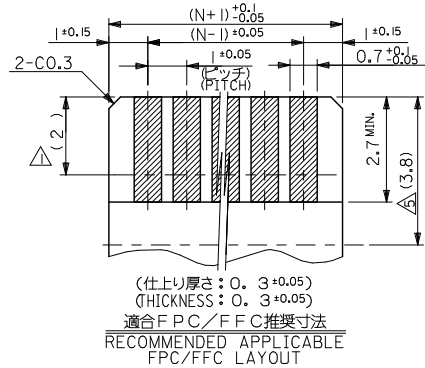
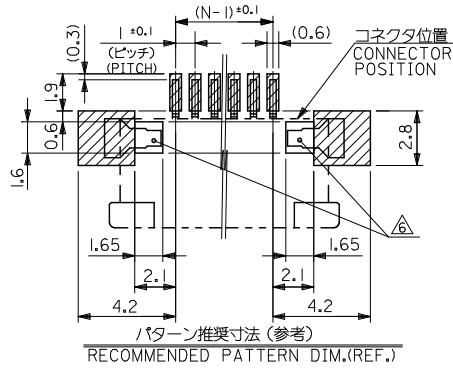


38.7	35.2	33	52207-0685	34
34.7	31.2	29	52207-0685	30
33.7	30.2	28	52207-0685	29
32.7	29.2	27	52207-0685	28
31.7	28.2	26	52207-0685	27
30.7	27.2	25	52207-0685	26
29.7	26.2	24	52207-0685	25
28.7	25.2	23	52207-0685	24
27.7	24.2	22	52207-0685	23
26.7	23.2	21	52207-0685	22
25.7	22.2	20	52207-0685	21
24.7	21.2	19	52207-0685	20
23.7	20.2	18	52207-0685	19
22.7	19.2	17	52207-0685	18
21.7	18.2	16	52207-0685	17
20.7	17.2	15	52207-0685	16
19.7	16.2	14	52207-0685	15
18.7	15.2	13	52207-0685	14
17.7	14.2	12	52207-0685	13
16.7	13.2	11	52207-0685	12
15.7	12.2	10	52207-0685	11
14.7	11.2	9	52207-0685	10
13.7	10.2	8	52207-0685	9
12.7	9.2	7	52207-0685	8
11.7	8.2	6	52207-0685	7
10.7	7.2	5	52207-0685	6
9.7	6.2	4	52207-0585	5
8.7	5.2	3	52207-0485	4
7.7	4.2	2	52207-0385	3
C	B	A	EMBOSSED PACKAGE	極数
			オーダー番号 ORDER NO.	CIRCUITS
CONNECTOR SERIES NO. 52207-***19				

REVISIONS EC NO: J2010-2456 DRW: HIRAYAMA 2010/06/04 CHK: HISHINOYAMA 2010/06/04 APPR: MORIKAWA 2010/06/07	GENERAL TOLERANCES (UNLESS SPECIFIED)		DIMENSION STYLE MM ONLY		SCALE --- DESIGN UNITS METRIC THIRD ANGLE PROJECTION
	10 UNDER	±0.2	DRAWN BY	DATE	
	10 OVER 30 UNDER	±0.25	MINOMIY	'04/02/06	TITLE 1.0 PITCH FPC CONN. ZIF SMT -LEAD FREE-
	30 OVER	±0.3	CHECKED BY	DATE	
ANGULAR	±3°	KTOJO	'04/02/06	MOLEX INCORPORATED DOCUMENT NO. SD-52207-060 SHEET NO. 1 OF 2	
DRAFT WHERE APPLICABLE MUST REMAIN WITHIN DIMENSIONS		APPROVED BY	DATE		
		MSASAO	'04/02/06	THIS DRAWING CONTAINS INFORMATION THAT IS PROPRIETARY TO MOLEX INCORPORATED AND SHOULD NOT BE USED WITHOUT WRITTEN PERMISSION	
		MATERIAL NO. SEE TABLE			
		SIZE A3			

ib_frame_A3_J_ME_S
Rev. E 2006/04/15

EN-02JA(021)



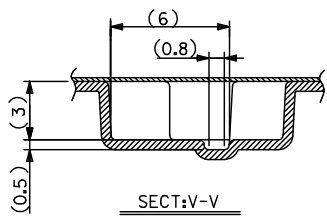
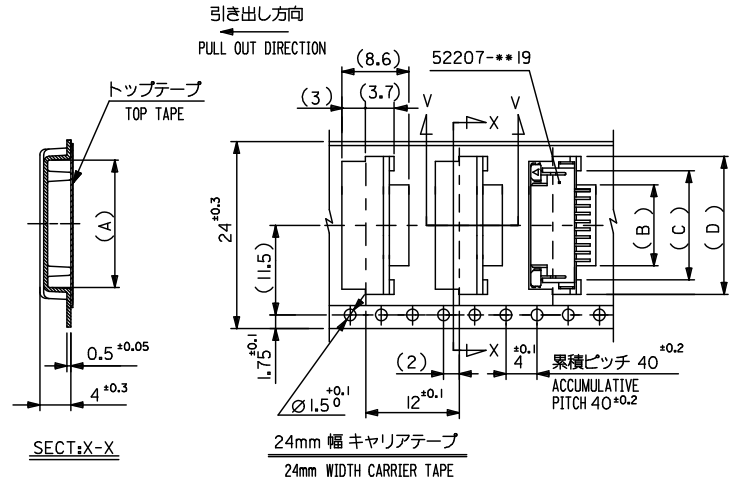
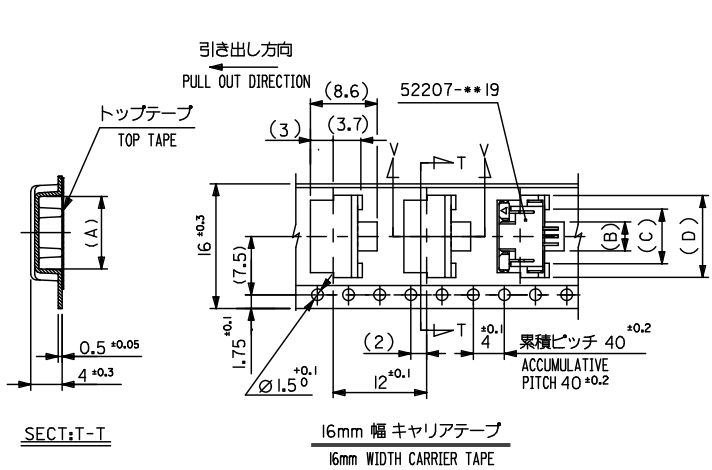
注記 NOTES

- △ 接点部までの嵌合長さ。
LENGTH TO CONTACT POINT.
- 2. 使用材料 MATERIAL
 - パツシヤル : 46ナイロン (耐熱性) , UL94V-0
 - ハウジング : 6NYLON, UL94V-0
 - アクチュエータ : PPS, UL94V-0
 - ターミナル : TIN 青銅
 - TERMINAL : PHOSPHOR BRONZE
 - 金具 : 銅・ビスマスメッキ 1.0マイクロメートル以上
 - FITTING NAIL : COPPER ALLOY
 - 銅メッキ : 1.0マイクロメートル以上
 - TIN : 1.0 MICROMETER MINIMUM
 - ニッケル下地 : 1.0マイクロメートル以上
 - NICKEL UNDER PLATING : 1.0 MICROMETER MINIMUM
- △ パターンはくり止め用金具
- △ FITTING NAIL FOR PREVENTION OF PEELING OF P.C.B.PATTERN.
- 4. エンボステープ梱包時は、アクチュエータがロックした状態とする。
IN THE PACKAGE, ACTUATOR OF PART NO.52207-**19 SHOULD BE LOCKED.
- △ ケーブル挿入深さ
- △ INSERTION DEPTH OF CABLE.
- △ パターン書き込み禁止エリア。
- △ NO FOOT PRINT AREA.
- 7. 本製品は 52207-**17 の鉛フリー品である。
THIS PRODUCT IS LEAD FREE OF 52207-**17.
- 8. ELV及びRoHS適合品
ELV AND RoHS COMPLIANT

FPCについて:
打抜き方向は導体側から補強板を推奨致します。
補強フィルム材質はポリイミドを推奨致します。
接着剤は熱硬化接着剤を推奨致します。
ABOUT FPC:
RECOMMENDED PUNCHER DIRECTION : FROM CONDUCTOR SIDE TO STIFFENER BOARD SIDE.
RECOMMENDED MATERIAL : STIFFENER FILM : POLYIMIDE
BONDING AGENT : THERMOSETTING BONDING AGENT

SEE SHEET 1	GENERAL TOLERANCES (UNLESS SPECIFIED)		DIMENSION STYLE MM ONLY		SCALE ---	DESIGN UNITS METRIC	THIRD ANGLE PROJECTION
	10 UNDER	±0.2	DRAWN BY MNINOMIY	DATE '04/02/06	TITLE 1.0 PITCH FPC CONN ZIF SMT -LEAD FREE-		
	10 OVER 30 UNDER	±0.25	CHECKED BY KT0JO	DATE '04/02/06			
	30 OVER	±0.3	APPROVED BY MSASAO	DATE '04/02/06	MOLEX INCORPORATED		
ANGULAR ±3°		MATERIAL NO. SEE SHEET 1 OF 2	DOCUMENT NO. SD-52207-060	SHEET NO. 2 OF 2			
DRAFT WHERE APPLICABLE MUST REMAIN WITHIN DIMENSIONS		THIS DRAWING CONTAINS INFORMATION THAT IS PROPRIETARY TO MOLEX INCORPORATED AND SHOULD NOT BE USED WITHOUT WRITTEN PERMISSION					

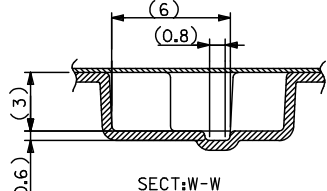
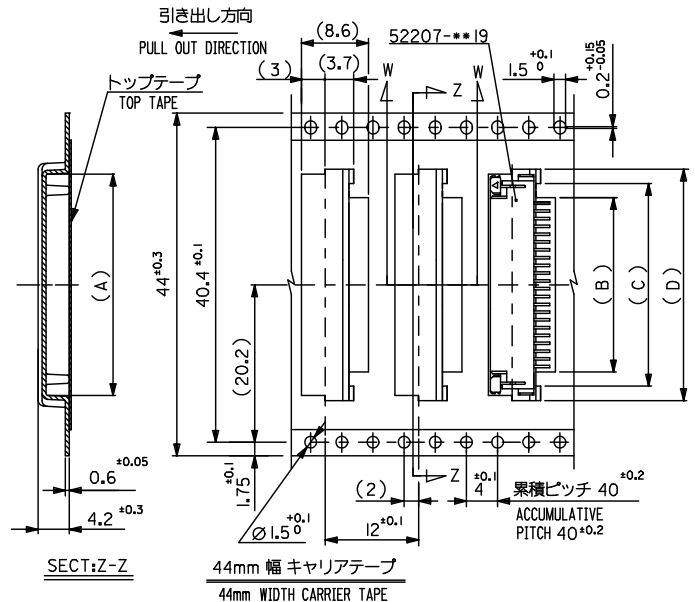
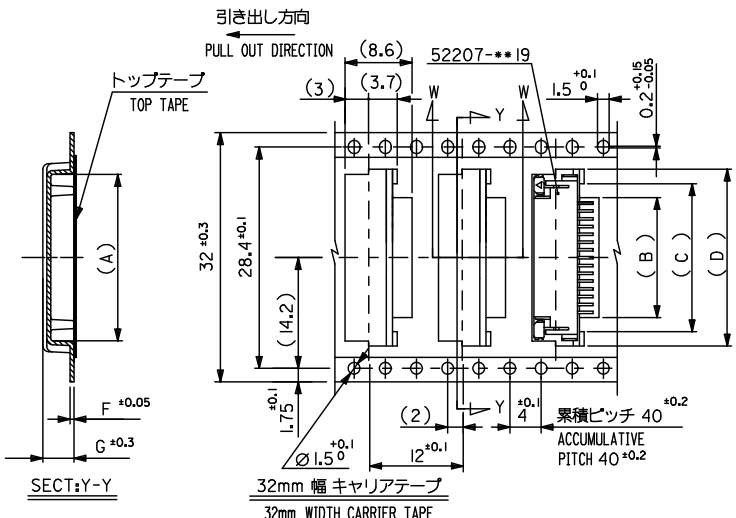
10 9 8 7 6 5 4 3 2 1



				18.5	15	11.7	17.3	52207-1185	11
				17.5	14	10.7	16.3	4 -1085	10
				16.5	13	9.7	15.3	-0985	9
				15.5	12	8.7	14.3	-0885	8
				14.5	11	7.7	13.3	-0785	7
				13.5	10	6.7	12.3	-0685	6
				12.5	9	5.7	11.3	-0585	5
				11.5	8	4.7	10.3	7 -0485	4
52207-**-85	16	21.4	17.4	10.5	7	3.7	9.3	52207-0385	3
MODEL NO.	キャリアテープ幅 CARRIER TAPE WIDTH	H	E	(D)	(C)	(B)	(A)	MATERIAL NO.	種 数 CKT.

REVISED EC NO: J2009-2061 DRAWN BY CHYKHMATSUMOTO APPROVED BY APPRENIKITA	2009/05/20	2009/05/21	2009/05/21	DESCRIPTION	GENERAL TOLERANCES (UNLESS SPECIFIED)	DIMENSION STYLE MM ONLY	SCALE ---	DESIGN UNITS METRIC	THIRD ANGLE PROJECTION
	10 UNDER	±0.2	DRAWN BY M. NINOMIYA		DATE 2004/02/06	TITLE EMBOSSSED TAPE PACKAGE FOR 52207-**-19 -LEAD FREE-			
	10 OVER 30 UNDER	±0.25	CHECKED BY K. TOJO		DATE 2004/02/06	MOLEX INCORPORATED DOCUMENT NO. SD-52207-061			
	30 OVER	±0.3	APPROVED BY M. SASAO		DATE 2004/02/06		SHEET NO. 1 OF 3		
				ANGULAR DRAFT WHERE APPLICABLE MUST REMAIN WITHIN DIMENSIONS	MATERIAL NO. SEE TABLE	SIZE A3	THIS DRAWING CONTAINS INFORMATION THAT IS PROPRIETARY TO MOLEX INCORPORATED AND SHOULD NOT BE USED WITHOUT WRITTEN PERMISSION		

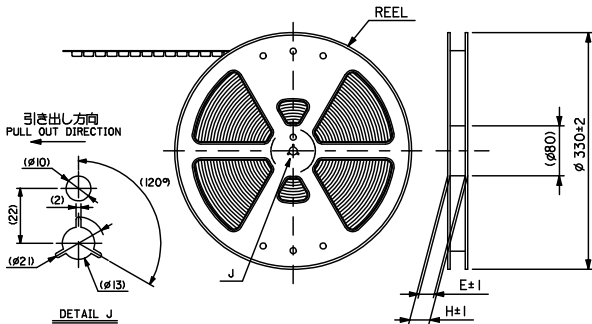
10 9 8 7 6 5 4 3 2 1



32	37.4	33.4	4.0	0.5	23.5	20	16.7	22.35	52207-1685	16	
			4.2	0.6	22.5	19	15.7	21.35	4	-1585	15
			4.2	0.6	21.5	18	14.7	20.35		-1485	14
			4.2	0.6	20.5	17	13.7	19.35		-1385	13
			4.2	0.6	19.5	16	12.7	18.35		52207-1285	12
キャリアテープ幅 CARRIER TAPE WIDTH	H	E	(G)	(F)	(D)	(C)	(B)	(A)	MATERIAL NO.	極数 CKT.	

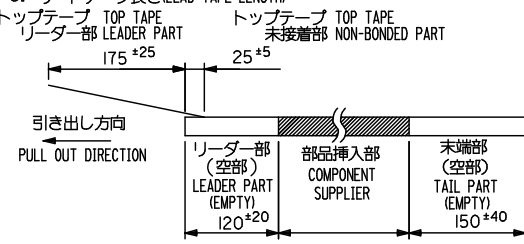
44	49.4	45.4	34.5	31	27.7	33.35	52207-2785	27	
			33.5	30	26.7	32.35	4	-2685	26
			32.5	29	25.7	31.35		-2585	25
			31.5	28	24.7	30.35		-2485	24
			30.5	27	23.7	29.35		-2385	23
			29.5	26	22.7	28.35		-2285	22
			28.5	25	21.7	27.35		-2185	21
			27.5	24	20.7	26.35		-2085	20
			26.5	23	19.7	25.35		-1985	19
			25.5	22	18.7	24.35		-1885	18
			24.5	21	17.7	23.35	52207-1785		17
キャリアテープ幅 CARRIER TAPE WIDTH	H	E	(D)	(C)	(B)	(A)	MATERIAL NO.	極数 CKT.	

REVISED IEC NO: J2009-2061 DRAWN BY CHYKHMATSUMOTO 2009/05/21 APPR: NIKITA 2009/05/21 (REV)	GENERAL TOLERANCES (UNLESS SPECIFIED)		DIMENSION STYLE MM ONLY		SCALE ---	DESIGN UNITS METRIC	THIRD ANGLE PROJECTION	
	10 UNDER ±0.2 10 OVER 30 UNDER ±0.25 30 OVER ±0.3	DRAWN BY M. NINOMIYA DATE 2004/02/06		CHECKED BY K. TOJO DATE 2004/02/06		TITLE EMBOSSED TAPE PACKAGE FOR 52207-**19 -LEAD FREE-		
	ANGULAR ±3		APPROVED BY M. SASAO DATE 2004/02/06		MOLEX INCORPORATED			SHEET NO. 2 OF 3
	DRAFT WHERE APPLICABLE MUST REMAIN WITHIN DIMENSIONS		MATERIAL NO. SEE TABLE		DOCUMENT NO. SD-52207-061		INCORPORATED AND SHOULD NOT BE USED WITHOUT WRITTEN PERMISSION	



注記

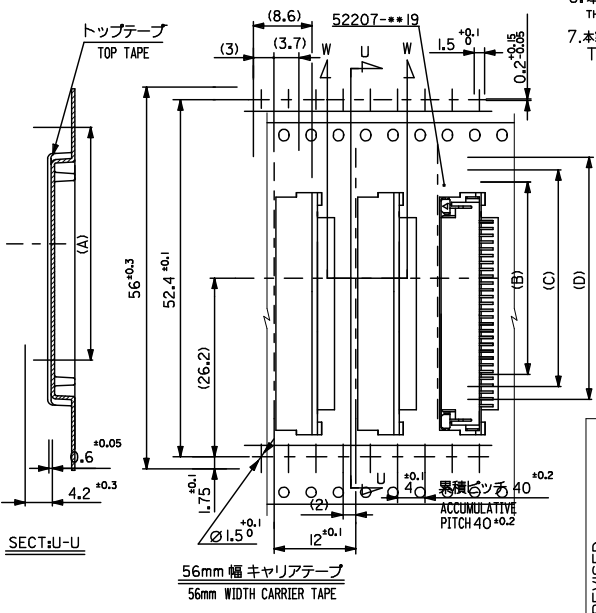
- 製品番号 52207-**19 の梱包状態はアクチュエータがロックした状態とする。
詳細寸法については図面 SD-52207-060 を参照下さい。
IN THE PACKAGE, ACTUATOR OF PART NO. 52207-**19 SHOULD BE LOCKED
RE DETAILED DIMENSIONS, SEE SD-52207-060
- 梱包数量：1000個/リール
NUMBER OF CONNECTORS : 1000PCS/REEL
- リードテープ長さ(LEAD TAPE LENGTH)



- 本製品は 52207-**90 の鉛フリー品である。
THIS PRODUCT IS LEAD FREE OF 52207-**90.
- 本製品は乾燥剤入り、ハイバリア梱包仕様である。
THIS PRODUCT IS HIGH BARRIER PACKAGE WITH DESICCANT.

- トップテープの剥離強度：(剥離方向は下図参照)
0.1N ~ 1.3N/10gf ~ 130gf MAX.尚、本規格値は、出荷時に適用。
(但し、輸送時に剥離が発生しない事。)
PEELING OFF FORCE OF TOP TAPE : 0.1N ~ 1.3N/10gf ~ 130gf MAX.
(PEELING DIRECTION AS SHOWN IN FOLLOWING FIG.)
THIS REQUIREMENT SHOULD BE APPLIED AT SHIPMENT. (PEEL OFF SHOULD NOT BE ALLOWED , DURING TRANSPORTATION)

- 材料 (MATERIAL)
キャリアテープ (CARRIER TAPE) : ポリプロピレン (POLYPROPYLENE)
トップテープ (TOP TAPE) : PET, PE, PEF
リール (REEL) : ポリスチレン (PS) <リサイクル材を含む>
POLYSTYRENE (PS) <RECYCLE MATERIAL CONTAINED>



	56	61.4	57.4	41.5	38	34.7	40.35	52207-3485	34
				37.5	34	30.7	36.35	52207-3085	30
				36.5	33	29.7	35.35	52207-2985	29
				35.5	32	28.7	34.35	52207-2885	28
MODEL NO.	キャリアテープ幅 CARRIER TAPE WIDTH	H	E	(D)	(C)	(B)	(A)	MATERIAL NO.	極致 CKT.

REVISED EC NO: J2009-2061 DRAWN BY DRYUNIKON CHKD: MATSUMOTO 2009/05/21 APPR: NIKITA 2009/05/21 DESCRIPTION	GENERAL TOLERANCES (UNLESS SPECIFIED)		DIMENSION STYLE MM ONLY		SCALE ---	DESIGN UNITS METRIC	THIRD ANGLE PROJECTION
	10 UNDER	±0.2	DRAWN BY M. NINOMIYA	DATE 2004/02/06	TITLE EMBOSSED TAPE PACKAGE FOR 52207-**19 -LEAD FREE-		
	10 OVER 30 UNDER	±0.25	CHECKED BY K. TOJO	DATE 2004/02/06	MOLEX INCORPORATED		
	30 OVER	±0.3	APPROVED BY M. SASAO	DATE 2004/02/06	DOCUMENT NO. SD-52207-061	SHEET NO. 3 OF 3	
ANGULAR		±3	MATERIAL NO. SEE TABLE		THIS DRAWING CONTAINS INFORMATION THAT IS PROPRIETARY TO MOLEX INCORPORATED AND SHOULD NOT BE USED WITHOUT WRITTEN PERMISSION		
DRAFT WHERE APPLICABLE MUST REMAIN WITHIN DIMENSIONS							