

**PLEASE CHECK WWW.MOLEX.COM FOR LATEST PART INFORMATION**

**Part Number:** [5013310307](#)  
**Status:** **Active**  
**Overview:** picoclasp  
**Description:** 1.00mm (.039") Pitch Pico-Clasp™ Wire-to-Board Header, Surface Mount, Single Row, Vertical, with Friction Lock, 3 Circuits, with Cover Tape, Lead-free

**Documents:**

[3D Model](#) [Product Specification PS-501331-001 \(PDF\)](#)  
[Drawing \(PDF\)](#) [RoHS Certificate of Compliance \(PDF\)](#)

**General**

Product Family PCB Headers  
 Series [501331](#)  
 Application Wire-to-Board  
 Overview picoclasp  
 Product Name Pico-Clasp™

**Physical**

Breakaway No  
 Circuits (Loaded) 3  
 Color - Resin Natural  
 Durability (mating cycles max) 30  
 Glow-Wire Compliant No  
 Lock to Mating Part Yes  
 Material - Metal Phosphor Bronze  
 Material - Plating Mating Tin  
 Material - Plating Termination Tin  
 Material - Resin Nylon  
 Number of Rows 1  
 Orientation Vertical  
 PCB Locator No  
 PCB Retention Yes  
 Packaging Type Embossed Tape on Reel  
 Pitch - Mating Interface (in) 0.039 In  
 Pitch - Mating Interface (mm) 1.00 mm  
 Polarized to Mating Part Yes  
 Polarized to PCB No  
 Robotic Placement Vacuum Pick-Up Tape  
 Stackable No  
 Temperature Range - Operating -40°C to +85°C  
 Termination Interface: Style Surface Mount

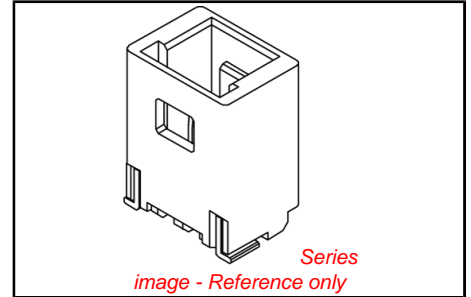
**Electrical**

Current - Maximum per Contact 1A  
 Voltage - Maximum 50V AC (RMS)/DC

**Material Info**

**Reference - Drawing Numbers**

Packaging Specification SPK-501331-001  
 Product Specification PS-501331-001, RPS-501331-001, RPS-501331-002, RPS-501331-003, RPS-501331-006, RPS-501331-007  
 Sales Drawing SD-501331-001, SD-501331-003



**EU RoHS**

**ELV and RoHS Compliant**  
**REACH SVHC**  
 Not Reviewed  
**Halogen-Free Status**  
 Not Reviewed

**China RoHS**



**Need more information on product environmental compliance?**

Email [productcompliance@molex.com](mailto:productcompliance@molex.com)  
 For a multiple part number RoHS Certificate of Compliance, [click here](#)

Please visit the [Contact Us](#) section for any non-product compliance questions.

**Search Parts in this Series**

[501331Series](#)

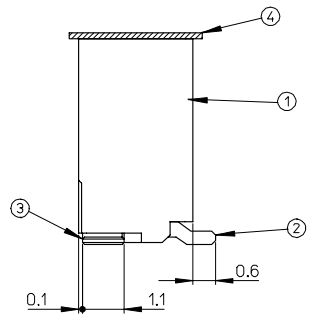
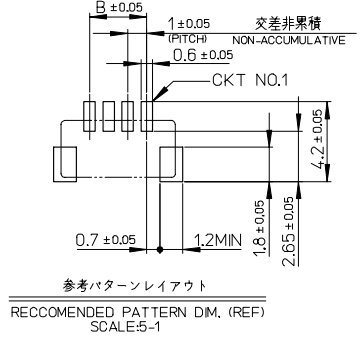
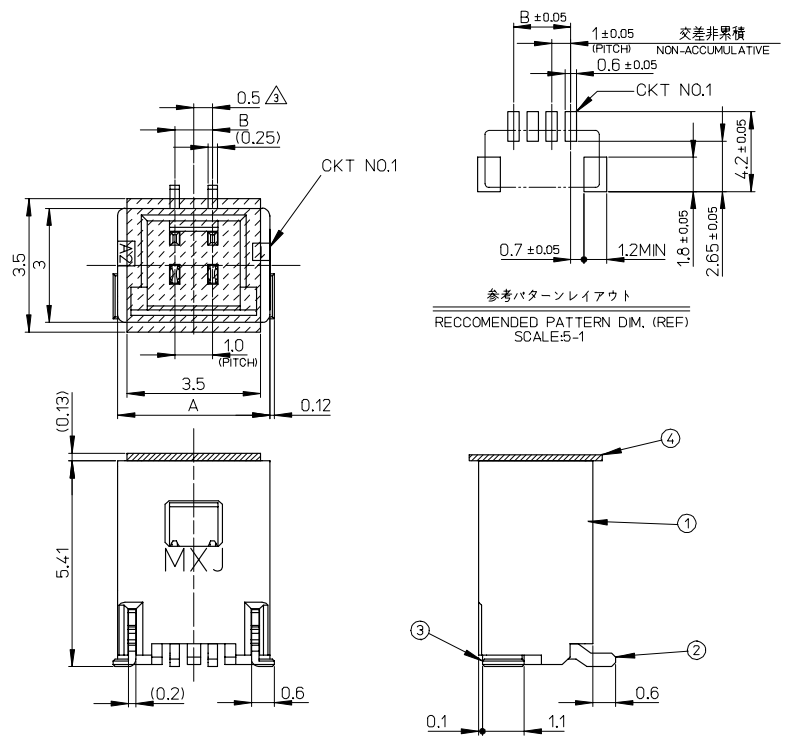
**Mates With**

[501330](#) Pico-Clasp™ Wire-to-Board Female Housing

**PLEASE CHECK WWW.MOLEX.COM FOR LATEST PART INFORMATION**

10 9 8 7 6 5 4 3 2 1

F E D C B A



| 番号 NO. | 部品 PART           | 材質 MATERIAL   |
|--------|-------------------|---|
| ①      | ウェハー WAFER        | 46ナイロン UL94V-0 色:自然色<br>46 NYLON, UL94V-0, COLOR:NATURAL                                      |
| ②      | ソルダーピン SOLDER PIN | りん青銅 PHOSPHOR BRONZE<br>錫メッキ: 1.0 μmMIN. TIN<br>ニッケルメッキ(下地): 1.0 μmMIN. NICKEL(UNDER PLATING) |
| ③      | ネイル NAIL          | りん青銅 PHOSPHOR BRONZE<br>錫メッキ: 1.0 μmMIN. TIN<br>ニッケルメッキ(下地): 1.0 μmMIN. NICKEL(UNDER PLATING) |
| ④      | カバーテープ COVER TAPE | ポリイミドテープ POLYIMIDE TAPE   |

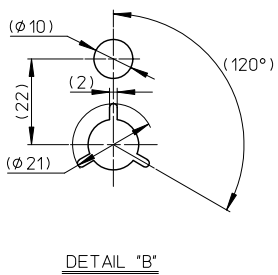
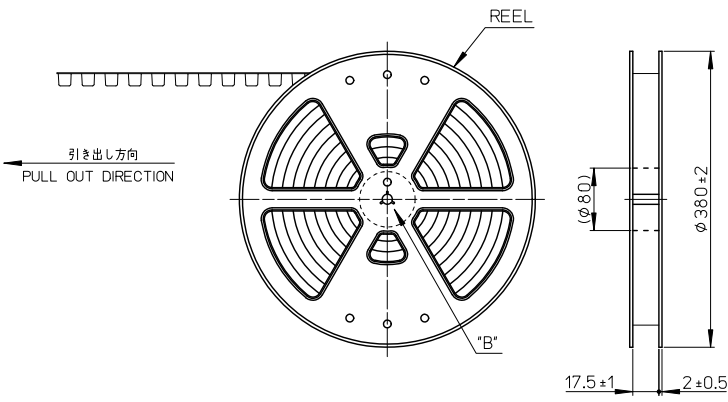
- NOTES.
1. 嵌合相手: 501330-\*\*\*\*  
MATE WITH: 501330-\*\*\*\*
  2. ソルダーピン及びネイル平坦度は、0.1MAX.  
SOLDER PIN AND NAIL COPLANARITY TO BE 0.1MAX.
- △ 極数=偶数に適用  
APPLY FOR CKT SIZE-EVEN
- 4.6~15極については、SD-501331-002を参照下さい。  
REFER TO SD-501331-002 ABOUT 6-15CKT.
  5. ELV及びRoHS適合品。  
ELV AND RoHS COMPLIANT.

※対応可能な極数は、別途お問い合わせ下さい。

| B   | A   | MATERIAL NO. | CKT. | MODEL NO.   |
|-----|-----|--------------|------|-------------|
| 4.0 | 7.0 | 501331-0509  | 5    | 501331-**09 |
| 3.0 | 6.0 | 501331-0409  | 4    |             |
| 2.0 | 5.0 | 501331-0309  | 3    |             |
| 1.0 | 4.0 | 501331-0209  | 2    |             |
| B   | A   | MATERIAL NO. | CKT. |             |

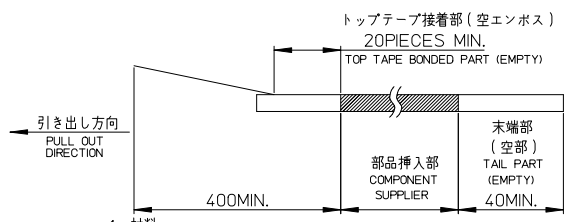
|  |                                       |         |                         |   |  |                     |                        |
|--|---------------------------------------|---------|-------------------------|---|--|---------------------|------------------------|
| REVISED<br>IEC NO: J2007-2540<br>DRWN: A0YAGI 2007/03/13<br>CHKC: YMAEDA 2007/03/13<br>APPR: NUKITA 2007/03/16 | GENERAL TOLERANCES (UNLESS SPECIFIED) |         | DIMENSION STYLE MM ONLY |   | SCALE 10:1   | DESIGN UNITS METRIC | THIRD ANGLE PROJECTION |
|  | 10 UNDER                              | ±0.2    | DRAWN BY NYOSHIDA       | DATE 2004/07/30   | TITLE 1.0 WIRE TO BOARD CONN. WAFER ASS'Y (1-ROW S/T) 2-5CKT<br>MOLEX INCORPORATED |                     |                        |
|  | 10 OVER 30 UNDER                      | ±0.25   | CHECKED BY MYAGI        | DATE 2004/07/30   |  |                     |                        |
|  | 30 OVER                               | ±0.3    | APPROVED BY MIYAZAWA    | DATE 2004/07/30   |  |                     |                        |
|  | ANGULAR                               | ±3 °    | MATERIAL NO. SEE TABLE  |   | DOCUMENT NO. SD-501331-001   | SHEET NO. 1 OF 1    |                        |
| DRAFT WHERE APPLICABLE MUST REMAIN WITHIN DIMENSIONS   |                                       | SIZE A3 |                         | THIS DRAWING CONTAINS INFORMATION THAT IS PROPRIETARY TO MOLEX INCORPORATED AND SHOULD NOT BE USED WITHOUT WRITTEN PERMISSION |  |                     |                        |

10 9 8 7 6 5 4 3 2 1



**NOTES**

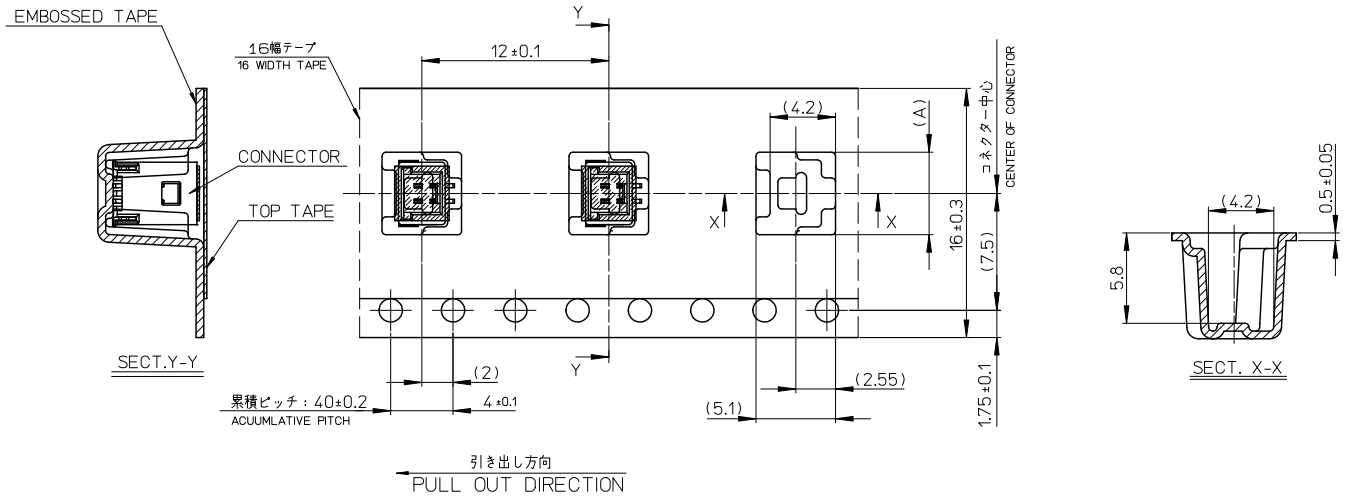
1. 製品詳細寸法は製品単体図面を参照して下さい。  
FOR DETAIL OF CONNECTOR DIMENSIONS, PLEASE SEE THE DRAWING OF CONNECTOR ITSELF (NOT PACKAGED).
2. 梱包数量：1100個/リール  
NUMBER OF CONNECTORS：1100PIECES/REEL
3. リードテープ長さ  
LEAD TAPE LENGTH



4. 材料  
MATERIAL  
キャリアテープ：ポリプロピレン  
CARRIER TAPE：POLYPROPYLENE  
トップテープ：PET、PE、REF  
TOP TAPE  
リール：ポリスチレン<リサイクル材を含む>  
REEL：POLYSTYRENE <RECYCLE MATERIAL CONTAINED>
5. ELV及びRoHS適合品。  
ELV AND RoHS COMPLIANT.
6. 本製品は乾燥剤入り、ハイバリア梱包仕様である。  
(501331-0607~1507以外)  
THIS PRODUCT IS HIGH BARRIER PACKAGE WITH DESICCANT.  
(BESIDES 501331-0607~1507)

|  |                                       |  |                             |   |   |                        |
|--|---------------------------------------|--|-----------------------------|---|---|------------------------|
| REVISED<br>EC NO: J2010-0951<br>DRAWN BY: DRWNNITO<br>2009/12/16<br>CHECKED BY: CHYOKASAKANA<br>2010/01/05<br>APPROVED BY: APRRNKIKITA<br>2010/01/06 | GENERAL TOLERANCES (UNLESS SPECIFIED) |  | DIMENSION STYLE<br>MM ONLY  | SCALE<br>---  | DESIGN UNITS<br>METRIC  | THIRD ANGLE PROJECTION |
|  | 10 UNDER                              | ±0.2   | DRAWN BY<br>NYOSHIDA        | DATE<br>2005/01/18  | TITLE<br>1.0 WIRE TO BOARD CONN.<br>WAFER ASS'Y (1-ROW S/T)<br>EMBSTP PKG |                        |
|  | 10 OVER 30 UNDER                      | ±0.25  | CHECKED BY<br>MYAGI         | DATE<br>2005/01/18  | MOLEX INCORPORATED  |                        |
|  | 30 OVER                               | ±0.3   | APPROVED BY<br>ANODA        | DATE<br>2005/01/18  | DOCUMENT NO.<br>SD-501331-003   | SHEET NO.<br>1 OF 2    |
|  | ANGULAR ±1°                           | DRAFT WHERE APPLICABLE MUST REMAIN WITHIN DIMENSIONS | MATERIAL NO.<br>SEE SHEET 2 | THIS DRAWING CONTAINS INFORMATION THAT IS PROPRIETARY TO MOLEX INCORPORATED AND SHOULD NOT BE USED WITHOUT WRITTEN PERMISSION |   |                        |

10 9 8 7 6 5 4 3 2 1



|     |             |              |      |             |
|-----|-------------|--------------|------|-------------|
| 8.3 | 501331-0509 | 501331-0507  | 5    | 501331-***7 |
| 7.3 | 501331-0409 | 501331-0407  | 4    |             |
| 6.3 | 501331-0309 | 501331-0307  | 3    |             |
| 5.3 | 501331-0209 | 501331-0207  | 2    |             |
| (A) | CONNECTOR   | MATERIAL NO. | CKT. | MODEL NO.   |

|   |  |  |                            |  |   |                           |
|---|--|--|----------------------------|--|---|---------------------------|
| REVISED<br>EC NO: J2010-0951<br>DRAWN BY: DRWINNITO<br>2009/12/16<br>CHKD BY: CHYKOKASAKANA<br>2010/01/05<br>APPR. BY: APRRNIKITA<br>2010/01/06 | GENERAL TOLERANCES<br>(UNLESS SPECIFIED) |  | DIMENSION STYLE<br>MM ONLY | SCALE<br>---   | DESIGN UNITS<br>METRIC  | THIRD ANGLE<br>PROJECTION |
|   | 10 UNDER                                 | ±0.2   | DRAWN BY<br>NYOSHIDA       | DATE<br>2005/01/18   | TITLE<br>1.0 WIRE TO BOARD CONN.<br>WAFER ASS'Y (1-ROW S/T)<br>EMBSTP PKG |                           |
|   | 10 OVER 30 UNDER                         | ±0.25  | CHECKED BY<br>MYAGI        | DATE<br>2005/01/18   | MOLEX INCORPORATED  |                           |
|   | 30 OVER                                  | ±0.3   | APPROVED BY<br>ANODA       | DATE<br>2005/01/18   | DOCUMENT NO.<br>SD-501331-003   | SHEET NO.<br>2 OF 2       |
|   | ANGULAR ±1 °                             | DRAFT WHERE APPLICABLE<br>MUST REMAIN<br>WITHIN DIMENSIONS | MATERIAL NO.<br>SEE TABLE  | THIS DRAWING CONTAINS INFORMATION THAT IS PROPRIETARY TO MOLEX<br>INCORPORATED AND SHOULD NOT BE USED WITHOUT WRITTEN PERMISSION |   |                           |