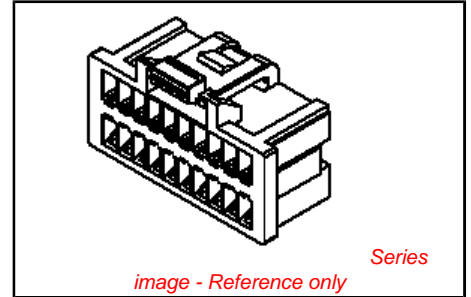


PLEASE CHECK WWW.MOLEX.COM FOR LATEST PART INFORMATION

Part Number: [5011892010](#)
Status: **Active**
Overview: picoclasp
Description: 1.00mm (.039") Pitch Pico-Clasp™ Wire-to-Board Receptacle Housing, Dual Row, 20 Circuits

Documents:

3D Model	Product Specification PS-501571-001 (PDF)
Drawing (PDF)	RoHS Certificate of Compliance (PDF)
Product Specification PS-501190-001 (PDF)	



General

Product Family	Crimp Housings
Series	501189
Overview	picoclasp
Product Name	Pico-Clasp™

Physical

Breakaway	No
Circuits (maximum)	20
Color - Resin	White
Gender	Receptacle
Glow-Wire Compliant	No
Lock to Mating Part	Yes
Material - Resin	Nylon
Number of Rows	2
Packaging Type	Bag
Panel Mount	No
Pitch - Mating Interface (in)	0.039 In
Pitch - Mating Interface (mm)	1.00 mm
Polarized to Mating Part	Yes
Stackable	No
Temperature Range - Operating	-40°C to +85°C

Material Info

Reference - Drawing Numbers

Packaging Specification	SPK-501189-001
Product Specification	PS-501190-001, PS-501571-001, RPS-501190-001, RPS-501331-001, RPS-501571-006, RPS-501571-007, RPS-501571-008
Sales Drawing	SD-501189-002

<p>EU RoHS ELV and RoHS Compliant REACH SVHC Not Reviewed Halogen-Free Status Not Reviewed</p>	<p>China RoHS</p>
--	--------------------------

Need more information on product environmental compliance?

Email productcompliance@molex.com
 For a multiple part number RoHS Certificate of Compliance, [click here](#)

Please visit the [Contact Us](#) section for any non-product compliance questions.

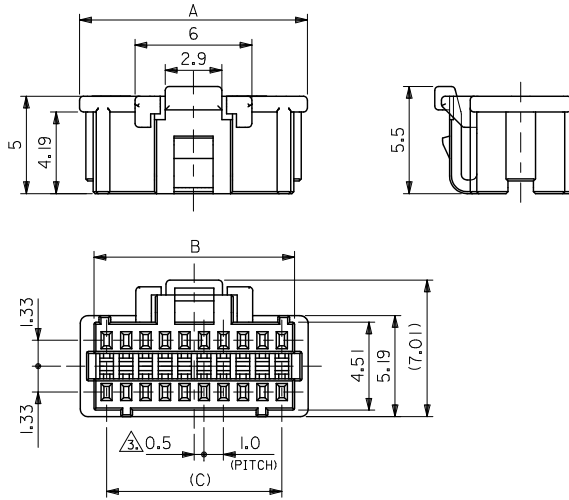
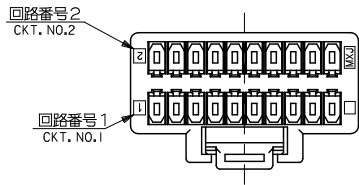
Search Parts in this Series
[501189Series](#)

Mates With
[501190](#) PCB Header Vertical . [501571](#) PCB Header Right Angle

Use With
[501193](#) Crimp Terminal

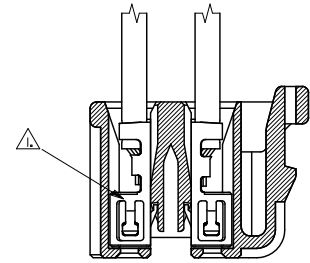
PLEASE CHECK WWW.MOLEX.COM FOR LATEST PART INFORMATION

10 9 8 7 6 5 4 3 2 1



NOTES.

- △ 適合ターミナル: 501193-****
APPLICABLE TERMINAL: 501193-****
- 2. 嵌合相手: 501190-**1*, 501571-****
MATE WITH: 501190-**1*, 501571-****
- △ 極数/2=偶数に適用。
APPLY FOR CIRCUIT SIZE/2=EVEN



ターミナル装着図
TERMINAL ASSEMBLY DRAWING

24	25.3	26.7	501189-5010	50
19	20.3	21.7	501189-4010	40
14	15.3	16.7	501189-3010	30
9	10.3	11.7	501189-2010	20
C	B	A	MATERIAL NO.	CKT.

MATERIAL 66NYLON UL94V-0 COLOR:WHITE GLASS FILLED:0%	REVISED EC NO: J2010-2217 DRW:THAYU 2010/05/12 CHK:KASAKANA 2010/05/13 APP:RUKITA 2010/05/14	GENERAL TOLERANCES (UNLESS SPECIFIED)		DIMENSION STYLE MM ONLY	SCALE 5:1	DESIGN UNITS METRIC	THIRD ANGLE PROJECTION	
		10 UNDER	±0.2	DRAWN BY NYOSHIDA	DATE 2004/12/17	TITLE 1.0 WIRE TO BOARD CONN. 2-ROW RECEPTACLE HOUSING		
		10 OVER 30 UNDER	±0.25	CHECKED BY MYAGI	DATE 2004/12/17			
		30 OVER	±0.3	APPROVED BY ANODA	DATE 2004/12/17			
ANGULAR ±3° DRAFT WHERE APPLICABLE MUST REMAIN WITHIN DIMENSIONS		MATERIAL NO. SEE CHART	DOCUMENT NO. SD-501189-002	MOLEX INCORPORATED				
SIZE A 3		THIS DRAWING CONTAINS INFORMATION THAT IS PROPRIETARY TO MOLEX INCORPORATED AND SHOULD NOT BE USED WITHOUT WRITTEN PERMISSION						SHEET NO. 1 OF 1