

**PLEASE CHECK WWW.MOLEX.COM FOR LATEST PART INFORMATION**

**Part Number:** [0475900001](#)  
**Status:** **Active**  
**Overview:** [micro\\_usb](#)  
**Description:** 0.65mm (.026") Pitch Micro-USB AB Receptacle, Right Angle, Top Mount, SMT, Lead Free

**Documents:**

[3D Model](#) [Product Specification PS-47589-001 \(PDF\)](#)  
[Drawing \(PDF\)](#) [RoHS Certificate of Compliance \(PDF\)](#)

**General**

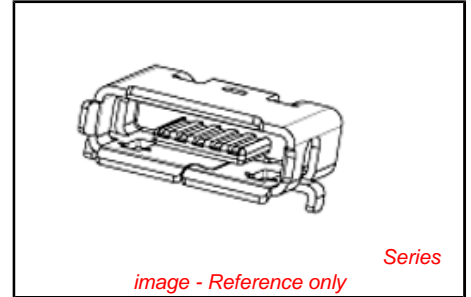
Product Family	I/O Connectors
Series	<a href="#">47590</a>
Application	Wire-to-Board
Comments	Top Mount Type
Component Type	Receptacle
Overview	<a href="#">micro_usb</a>
Product Name	Micro-USB
Type	AB

**Physical**

Boot Color	N/A
Circuits (Loaded)	5
Circuits (maximum)	5
Color - Resin	Black
Gender	Male
Keying to Mating Part	Yes
Lock to Mating Part	Yes
Material - Metal	Copper Alloy
Material - Plating Mating	Gold
Material - Plating Termination	Gold
Material - Resin	High Temperature Thermoplastic
Number of Rows	1
Orientation	Right Angle
PCB Locator	Yes
PCB Retention	Yes
Packaging Type	Embossed Tape on Reel
Panel Mount	No
Pitch - Mating Interface (in)	0.026 In
Pitch - Mating Interface (mm)	0.65 mm
Pitch - Term. Interface (in)	0.026 In
Pitch - Term. Interface (mm)	0.65 mm
Plating min: Mating (µin)	43
Plating min: Mating (µm)	0.11
Plating min: Termination (µin)	2
Plating min: Termination (µm)	0.05
Polarized to Mating Part	Yes
Polarized to PCB	Yes
Ports	1
Surface Mount Compatible (SMC)	Yes
Temperature Range - Operating	-20°C to +85°C
Termination Interface: Style	Surface Mount
Waterproof / Dustproof	No

**Electrical**

Current - Maximum per Contact 1.8A, 1A



**EU RoHS**  
**ELV and RoHS**  
**Compliant**  
**REACH SVHC**  
**Not Reviewed**  
**Halogen-Free**  
**Status**  
**Not Reviewed**

**China RoHS**



**Need more information on product environmental compliance?**

Email [productcompliance@molex.com](mailto:productcompliance@molex.com)  
 For a multiple part number RoHS Certificate of Compliance, [click here](#)

Please visit the [Contact Us](#) section for any non-product compliance questions.

**Search Parts in this Series**  
[47590Series](#)

**Mates With**  
[47516 Micro-USB Plug](#)

Grounding to Panel	Yes
Shield Type	Full Shield
Shielded	Yes
Voltage - Maximum	100V AC (RMS)

**Material Info**

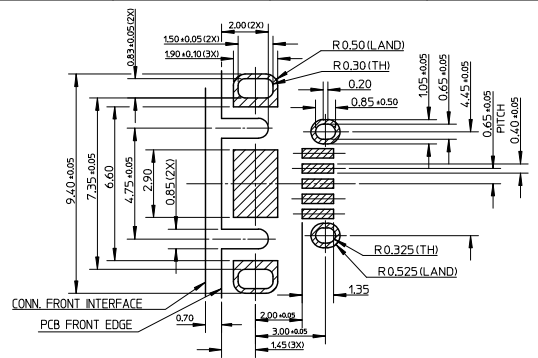
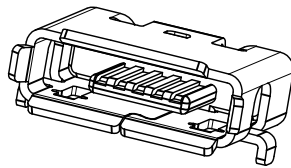
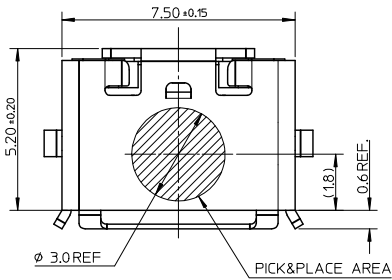
**Reference - Drawing Numbers**

Packaging Specification	PK-47589-001
Product Specification	PS-47589-001
Sales Drawing	SD-47590-001

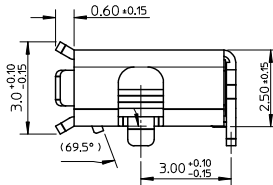
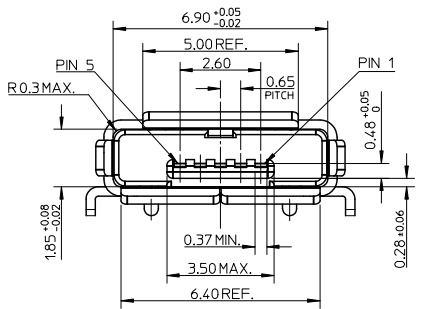
This document was generated on 05/19/2010

**PLEASE CHECK [WWW.MOLEX.COM](http://WWW.MOLEX.COM) FOR LATEST PART INFORMATION**

10 9 8 7 6 5 4 3 2 1

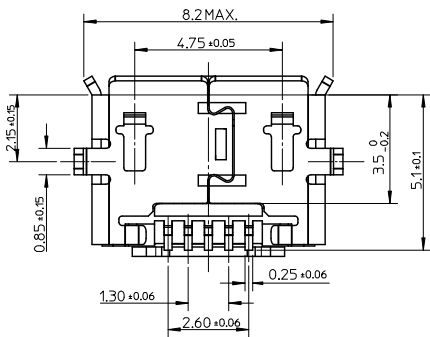
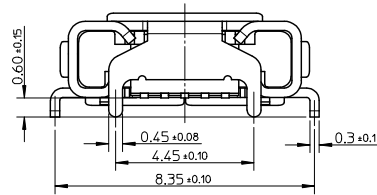


RECOMMENDED P.C.B. PATTERN LAYOUT



NOTE :

- MATERIAL :  
HOUSING : LCP, BLACK, UL94V-0  
TERMINAL : COPPER ALLOY THICKNESS = 0.15 MM  
SHIELD CASE : STAINLESS STEEL THICKNESS = 0.30 MM
- PLATING :  
TERMINAL: CONTACT AREA : GOLD FLASH (0.11 MICRON MIN.) OVER MINIMUM 0.75 MICRON Pd/Ni.  
SOLDER TAIL AREA : GOLD FLASH (0.05 MICRON MIN.).  
UNDER PLATING : NICKEL 2.0 MICRON MINIMUM.  
SHIELD : MATTE TIN 1.27 MICRON MINIMUM.  
UNDER PLATING : NICKEL 1.27 MICRON MINIMUM.
- TAIL COPLANARITY 0.08 MM MAXIMUM.
- COMPLIANT TO RoHS DIRECTIVE 2002/95/EC AND ELV DIRECTIVE 2000/53/EC.



REVISE EC NO: SH2010-0060 DRAWN BY: J.SONG CHKD BY: J.SONG APPROVED BY: ZHANG	DESCRIPTION B1	QUALITY SYMBOLS	GENERAL TOLERANCES (UNLESS SPECIFIED)		DIMENSION STYLE MM ONLY		SCALE 1:1	DESIGN UNITS METRIC	THIRD ANGLE PROJECTION
		▽=0	mm	INCH	DRAWN BY X.J.SONG	DATE 2007/03/15	TITLE MICRO USB AB REC. TOP MOUNT ASS'Y		
		▽=0	4 PLACES ± --- ± ---	3 PLACES ± --- ± ---	CHECKED BY J.TIAN	DATE 2007/03/15	MOLEX INCORPORATED		
		ANGULAR ± 3°	2 PLACES ± 0.15 ± ---	1 PLACE ± 0.25 ± ---	APPROVED BY J.N.CHEN	DATE 2007/03/15	MATERIAL NO. 47590-0001	DOCUMENT NO. SD-47590-001	SHEET NO. 1 OF 1
DRAFT WHERE APPLICABLE MUST REMAIN WITHIN DIMENSIONS			THIS DRAWING CONTAINS INFORMATION THAT IS PROPRIETARY TO MOLEX INCORPORATED AND SHOULD NOT BE USED WITHOUT WRITTEN PERMISSION						