

**PLEASE CHECK WWW.MOLEX.COM FOR LATEST PART INFORMATION**

**Part Number:** [0471554001](#)  
**Status:** **Active**  
**Overview:** [serial\\_ata\\_signal\\_plugs](#)  
**Description:** 1.27mm (.050") Pitch Serial ATA High Speed Header, Vertical, Through Hole, with Locking Latch, 7 Circuits, Gold (Au) Flash, for 1.60mm (.063") PCB, Tail Length 2.10mm (.083"), Black, Footprint A, with PCB Locator Pegs, Lead-free

**Documents:**

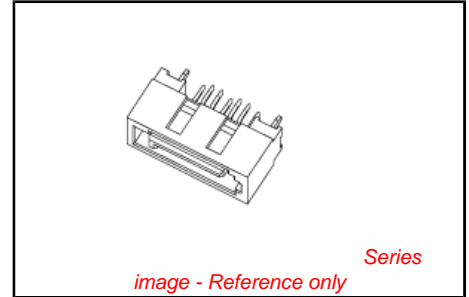
<a href="#">3D Model</a>	<a href="#">Product Specification PS-67490-001 (PDF)</a>
<a href="#">Drawing (PDF)</a>	<a href="#">RoHS Certificate of Compliance (PDF)</a>

**General**

Product Family	PCB Headers
Series	<a href="#">47155</a>
Application	Board-to-Board, Wire-to-Board
Comments	Footprint A
MolexKits	Yes
Overview	<a href="#">serial_ata_signal_plugs</a>
Product Name	Serial ATA

**Physical**

Breakaway	No
Circuits (Loaded)	7
Circuits (maximum)	7
Color - Resin	Black
Durability (mating cycles max)	500
First Mate / Last Break	Yes
Glow-Wire Compliant	No
Guide to Mating Part	No
Keying to Mating Part	None
Lock to Mating Part	Yes
Material - Metal	Brass
Material - Plating Mating	Gold
Material - Plating Termination	Tin
Material - Resin	Polyester
Number of Rows	1
Orientation	Vertical
PC Tail Length (in)	0.083 In
PC Tail Length (mm)	2.10 mm
PCB Locator	Yes
PCB Retention	Yes
PCB Thickness Recommended (in)	0.062 In
PCB Thickness Recommended (mm)	1.60 mm
Packaging Type	Tray
Pitch - Mating Interface (in)	0.050 In
Pitch - Mating Interface (mm)	1.27 mm
Plating min: Mating (µin)	2
Plating min: Mating (µm)	0.05
Plating min: Termination (µin)	76
Plating min: Termination (µm)	1.9
Polarized to Mating Part	Yes
Polarized to PCB	Yes
Shrouded	Fully
Stackable	No
Surface Mount Compatible (SMC)	No
Temperature Range - Operating	-35°C to +85°C



**EU RoHS**

**ELV and RoHS Compliant**

**REACH SVHC**

Not Reviewed

**Halogen-Free**

**Status**

**Not Halogen-Free**

**Need more information on product environmental compliance?**

Email [productcompliance@molex.com](mailto:productcompliance@molex.com)  
 For a multiple part number RoHS Certificate of Compliance, [click here](#)

Please visit the [Contact Us](#) section for any non-product compliance questions.

**China RoHS**



**Search Parts in this Series**

[47155Series](#)

**Mates With**

[67489 Serial ATA Signal Connector](#)

Termination Interface: Style

Through Hole

**Electrical**

Current - Maximum per Contact  
Voltage - Maximum

1.5A  
15V

**Solder Process Data**

Lead-free Process Capability  
Process Temperature max. C

Wave Capable (TH only)  
230

**Material Info**

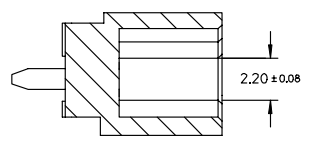
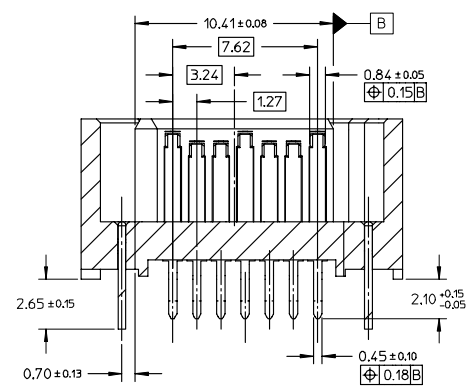
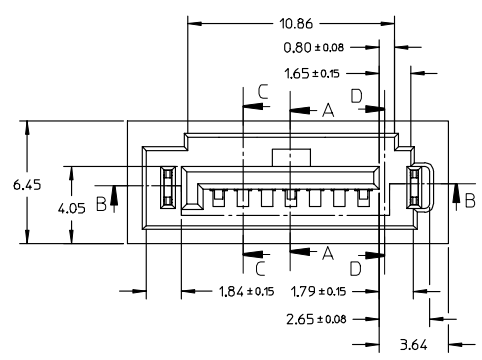
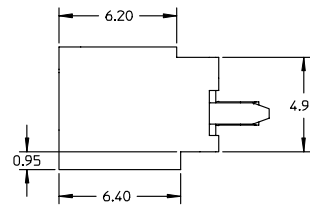
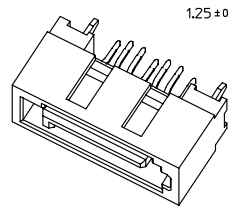
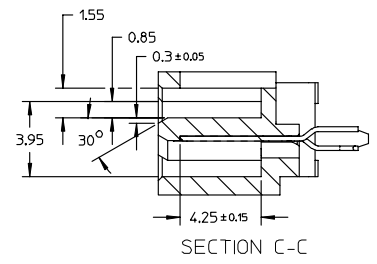
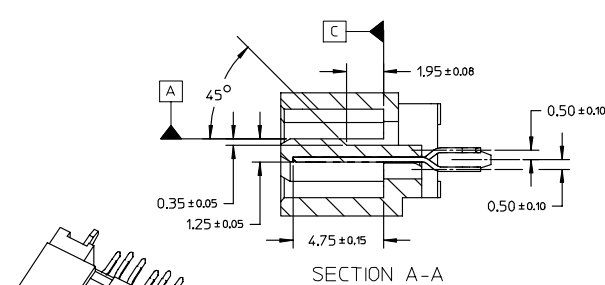
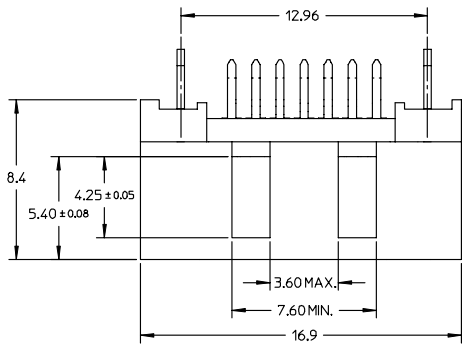
**Reference - Drawing Numbers**

Packaging Specification  
Product Specification  
Sales Drawing

PK-67800-002  
PS-67490-001, RPS-67490-002  
SD-47155-004

This document was generated on 06/07/2010

**PLEASE CHECK [WWW.MOLEX.COM](http://WWW.MOLEX.COM) FOR LATEST PART INFORMATION**



SECTION D-D

ADD PART NUMBER EC NO. SH2007-0134 DRW: HCHEN26 CHK: J. LIAN APPR: J. CHEN 2006/09/01 2006/09/01 2006/09/08	QUALITY SYMBOLS ▽=0 ▽=0	GENERAL TOLERANCES (UNLESS SPECIFIED)		DIMENSION STYLE MM ONLY		SCALE 5:1	DESIGN UNITS METRIC	THIRD ANGLE PROJECTION
		4 PLACES ± --- ± --- 3 PLACES ± --- ± --- 2 PLACES ± 0.15 ± --- 1 PLACE ± 0.25 ± --- ANGULAR ± 1 °	DRAWN BY GRATE 2004/08/05	DATE 2004/08/05	TITLE HIGH SPEED CONNECTOR 1.27MM PITCH VERTICAL DIP SOLDER TAIL		MOLEX INCORPORATED	
MATERIAL NO. SEE SHEET 2	DRAFT WHERE APPLICABLE MUST REMAIN WITHIN DIMENSIONS		CHECKED BY GRATE 2004/08/05	DATE 2004/08/05	DOCUMENT NO. SD-47155-004	SHEET NO. 1 OF 2		
REV B	SIZE A3		THIS DRAWING CONTAINS INFORMATION THAT IS PROPRIETARY TO MOLEX INCORPORATED AND SHOULD NOT BE USED WITHOUT WRITTEN PERMISSION					

10 9 8 7 6 5 4 3 2 1

F

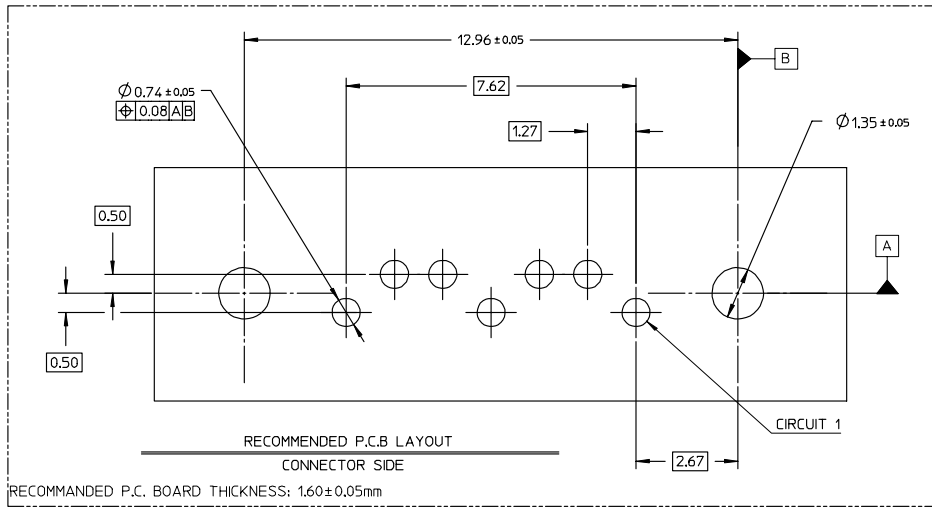
E

D

C

B

A



NOTES:

- MATERIAL:
  - HOUSING: THERMAL PLASTIC, COLOR: SEE CHART
  - GLASS FILLED: UL94V-0
  - TERMINAL/PEG: BRASS
- TERMINAL PLATING:
  - CONTACT AREA: GOLD FLASH
  - SOLDER TAIL:
    - TIN PLATED 1.27 MICRON MINIMUM OVER
    - 1.27 MICRON MINIMUM NICKEL UNDER PLATE
- PEG PLATING:
  - TIN PLATED 1.8 MICRON MINIMUM OVER
  - 1.27 MICRON MINIMUM NICKEL UNDER PLATE
- PACKAGING: PK-67800-002
- PRODUCT SPECIFICATION REFER TO PS-67490-001
- RECOMMENDED PROCESS: WAVE SOLDERING
- PRODUCT COMPLIANT TO RoHS DIRECTIVE 2002/95/EC AND ELV DIRECTIVE 2000/53/EC\*

471554061	SEE NOTE2	IVORY
471554051	SEE NOTE2	LIGHT BLUE
471554041	SEE NOTE2	NATURE COLOR
471554031	SEE NOTE2	PROCESS BLUE C DELTA E<3
471554001	SEE NOTE2	BLACK
MATERIAL NUMBER	PLATING TYPE	PLASTIC COLOR



ADD PART NUMBER EC NO. SH2007-0134 DRW: HCHEN26 CHK: CJTIAN APPR: JICHEN	QUALITY SYMBOLS ▽=0 ▽=0	GENERAL TOLERANCES (UNLESS SPECIFIED)		DIMENSION STYLE MM ONLY		SCALE 1:1	DESIGN UNITS METRIC	THIRD ANGLE PROJECTION
		4 PLACES ± --- ± ---	DRAWN BY GRATE	DATE 2004/08/05	TITLE HIGH SPEED CONNECTOR 1.27MM PITCH VERTICAL DIP SOLDER TAIL			
		3 PLACES ± --- ± ---	CHECKED BY GRATE	DATE 2004/08/05	MATERIAL NO. SD-47155-004			
		2 PLACES ± 0.15 ± ---	APPROVED BY VINCENT	DATE 2004/08/05	DOCUMENT NO. SD-47155-004			
1 PLACE ± 0.25 ± ---	ANGULAR ± 1 °		SEE TABLE		INCORPORATED AND SHOULD NOT BE USED WITHOUT WRITTEN PERMISSION		SHEET NO. 2 OF 2	

tb\_frame\_A3\_P\_AM.T  
Rev. D 2004/06/28

9 8 7 6 5 4 3 2 1

F

E

D

C

B

A