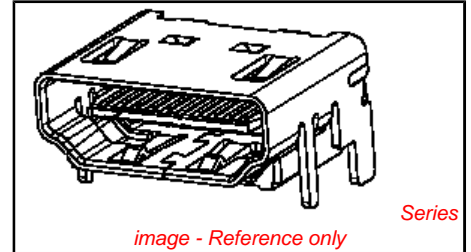


PLEASE CHECK WWW.MOLEX.COM FOR LATEST PART INFORMATION

Part Number: [0471510001](#)
Status: **Active**
Overview: [high_definition_multimedia_interface_hdmi](#)
Description: 0.50mm (.020") Pitch HDMI* Receptacle, Right Angle, 0.76µm (30µ") Gold (Au) Plating, Front Solder Tab Length 1.80mm (.071"), Shell Nickel (Ni) Plated, without Back Cover, Black Housing, Tape and Reel Package, 19 Circuits, Lead Free



Documents:

[3D Model](#) [Product Specification PS-47152-001 \(PDF\)](#)
[Drawing \(PDF\)](#) [RoHS Certificate of Compliance \(PDF\)](#)

General

Product Family	I/O Connectors
Series	47151
Application	Wire-to-Board
Component Type	Receptacle
Overview	high_definition_multimedia_interface_hdmi
Product Name	HDMI
Type	N/A

Physical

Boot Color	N/A
Circuits (Loaded)	19
Color - Resin	Black
Gender	Male
Keying to Mating Part	Yes
Lock to Mating Part	Yes
Material - Metal	Copper Alloy
Material - Plating Mating	Gold
Material - Plating Termination	Tin-Bismuth
Number of Rows	2
Orientation	Right Angle
PCB Locator	No
PCB Retention	Yes
Packaging Type	Embossed Tape on Reel
Panel Mount	Without Flange
Pitch - Mating Interface (in)	0.020 In
Pitch - Mating Interface (mm)	0.50 mm
Pitch - Term. Interface (in)	0.020 In
Pitch - Term. Interface (mm)	0.50 mm
Plating min: Mating (µin)	30
Plating min: Mating (µm)	0.76
Plating min: Termination (µin)	40
Plating min: Termination (µm)	1
Polarized to Mating Part	Yes
Polarized to PCB	Yes
Ports	1
Temperature Range - Operating	-20°C to +85°C
Termination Interface: Style	Surface Mount
Waterproof / Dustproof	No
Wire Size AWG	N/A

Electrical

Current - Maximum per Contact	.5A
Shielded	Yes
Voltage - Maximum	40V DC

EU RoHS

ELV and RoHS Compliant

REACH SVHC

Not Reviewed

Halogen-Free

Status

Not Halogen-Free

Need more information on product environmental compliance?

Email productcompliance@molex.com
 For a multiple part number RoHS Certificate of Compliance, [click here](#)

Please visit the [Contact Us](#) section for any non-product compliance questions.

China RoHS



Search Parts in this Series

[47151Series](#)

Mates With

[88768](#) HDMI cable assembly, [88764](#) HDMI Adapter, [88767](#) HDMI Adapter

Solder Process Data

Lead-free Process Capability
Process Temperature max. C

Reflow Capable (SMT only)
245

Material Info**Reference - Drawing Numbers**

Packaging Specification
Product Specification
Sales Drawing

PK-47151-001
PS-47152-001
SD-47151-001

* High Definition Multimedia Interface and HDMI are trademarks of HDMI Licensing, LLC.

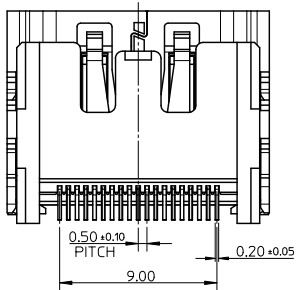
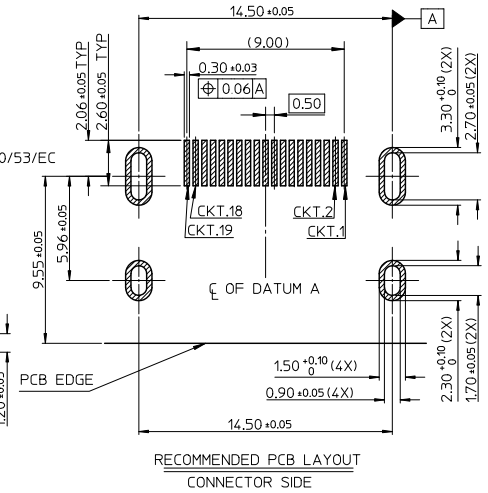
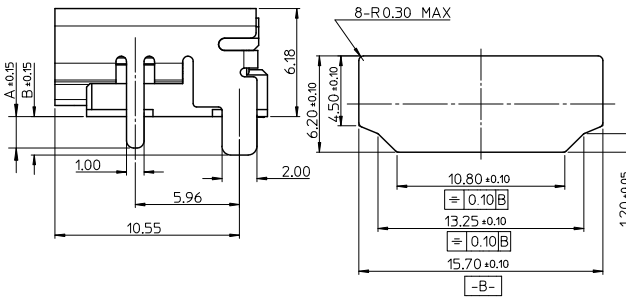
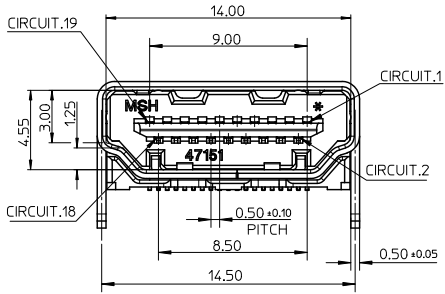
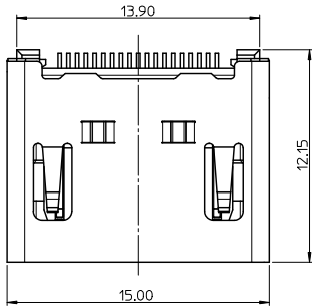
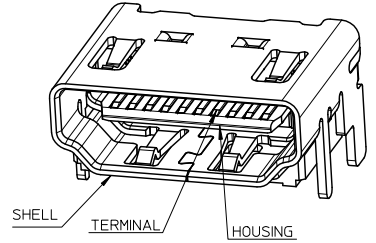
This document was generated on 05/27/2010

PLEASE CHECK WWW.MOLEX.COM FOR LATEST PART INFORMATION

10 9 8 7 6 5 4 3 2 1

NOTES:

- MATERIAL:
HOUSING: THERMOPLASTIC . COLOR: SEE TABLE.
SHELL: COPPER ALLOY.
TERMINAL: COPPER ALLOY.
- PLATING:
TERMINAL:
CONTACT AREA: (1) 0.76 MICROMETER MIN. GOLD PLATING.
(2) 0.25 MICROMETER MIN. GOLD PLATING.
(3) GOLD FLASH.
(4) 0.375 MICROMETER MIN. GOLD PLATING.
SOLDER AREA: 1 MICROMETER MIN. TIN-BISMUTH ALLOY PLATED.
UNDER PLATE: 1.27 MICROMETER MIN. NICKEL.
SHELL: (a) 1.27 MICROMETER MIN. SOLDERABLE NICKEL PLATE OVERALL.
(b) GOLD FLASH PLATING OVER 1.27 MICROMETER MIN. NICKEL PLATING OVERALL.
- COPLANARITY IS 0.1MM MAX.
- PRODUCT SPECIFICATION REFER TO PS-47152-001.
- PACKAGE SPECIFICATION FOR WITHOUT FLANGE REFER TO PK-47151-001.
- PRODUCT COMPLIANT TO RoHS DEIRECTIVE 2002/95/EC AND ELV DIRECTIVE 2000/53/EC



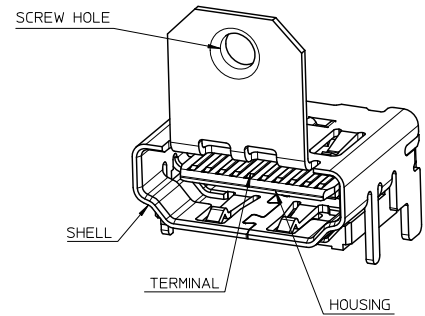
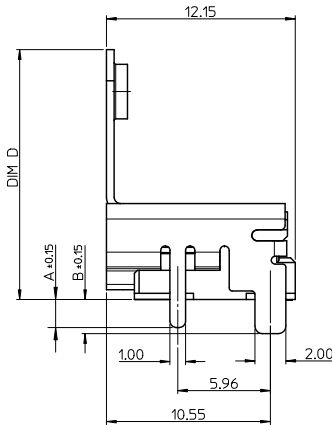
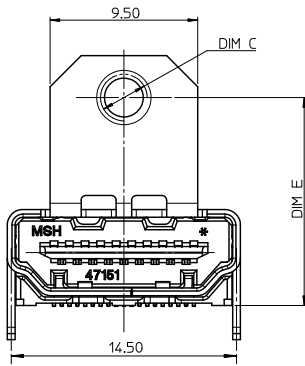
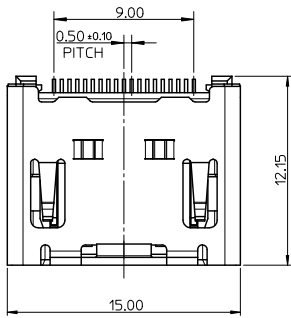
RECOMMENDED PANEL CUT OUT DIMENSION

RECOMMENDED PCB LAYOUT
CONNECTOR SIDE

ADD PART NUMBER EC NO: SH2010-0164 DRAWN BY: RZHANG CHKD BY: CHKDGLL APPR: YTSJONG 2009/10/20 2009/10/21 2009/11/30	QUALITY SYMBOLS □=0 □=0 □=0	GENERAL TOLERANCES (UNLESS SPECIFIED)		DIMENSION STYLE MM ONLY		SCALE 5:1	DESIGN UNITS METRIC	THIRD ANGLE PROJECTION	
		4 PLACES ± --- ± ---	mm INCH	DRAWN BY RZHANG	DATE 2004/07/20	TITLE 1.0 HDMI RIGHT ANGLE HEADER ASSEMBLY(19 PIN) LEAD FREE			
		3 PLACES ± --- ± ---		CHECKED BY GRMA	DATE 2004/07/20	MOLEX INCORPORATED			
		2 PLACES ± 0.25 ± ---		APPROVED BY YTYAP	DATE 2004/07/20	DOCUMENT NO. SD-47151-001			
		1 PLACE ± 0.25 ± ---		MATERIAL NO. SEE SHEET 6		SHEET NO. 1 OF 8			
		ANGULAR ± 3°		DRAFT WHERE APPLICABLE MUST REMAIN WITHIN DIMENSIONS		THIS DRAWING CONTAINS INFORMATION THAT IS PROPRIETARY TO MOLEX INCORPORATED AND SHOULD NOT BE USED WITHOUT WRITTEN PERMISSION			

ib_frame_A3_P_AM_T
Rev. F 2009/06/18

10 9 8 7 6 5 4 3 2 1



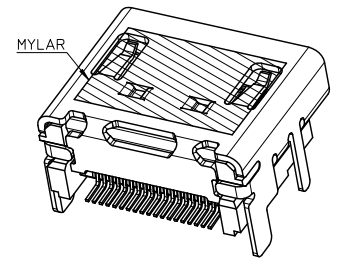
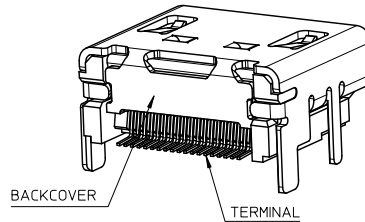
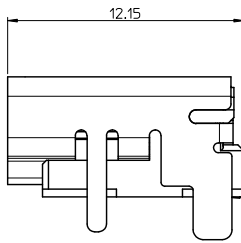
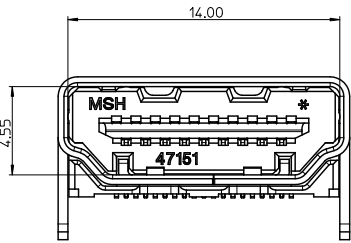
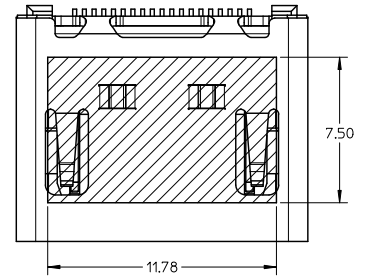
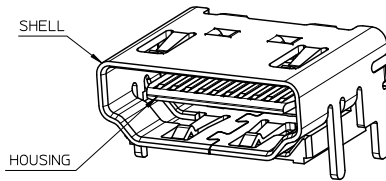
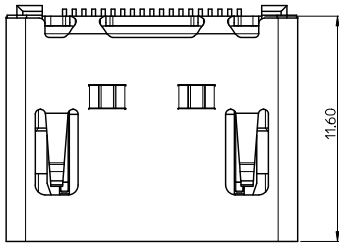
- NOTES:
1. THE UNSPECIFIED DIMENSIONS REFER TO SHEET 1.
 2. PACKAGE SPECIFICATION FOR WITH FLANGE REFER TO PK-47151-002.

SEE SHEET 1 EC NO: SH2010-0164 DRAWN: RZHZHANG 2009/10/20 CHECKED: CHYKSELILI 2009/10/21 APPROVED: JJSONG 2009/11/30	QUALITY SYMBOLS	GENERAL TOLERANCES (UNLESS SPECIFIED)	DIMENSION STYLE	SCALE	DESIGN UNITS	THIRD ANGLE PROJECTION
	▽=0	mm INCH	MM ONLY	5:1	METRIC	
	▽=0	4 PLACES ± --- ± ---	DRAWN BY RZHANG DATE 2004/07/20	TITLE	1.0 HDMI RIGHT ANGLE HEADER ASSEMBLY(19 PIN) LEAD FREE	
	▽=0	3 PLACES ± --- ± ---	CHECKED BY GRMA DATE 2004/07/20	MOLEX INCORPORATED		
	2 PLACES ± 0.25 ± ---	APPROVED BY YTYAP DATE 2004/07/20	MATERIAL NO.	DOCUMENT NO.	SHEET NO.	
	1 PLACE ± 0.25 ± ---	ANGULAR ± 3 °	SEE SHEET 6	SD-47151-001	2 OF 8	
	DRAFT WHERE APPLICABLE MUST REMAIN WITHIN DIMENSIONS		THIS DRAWING CONTAINS INFORMATION THAT IS PROPRIETARY TO MOLEX INCORPORATED AND SHOULD NOT BE USED WITHOUT WRITTEN PERMISSION			

9 8 7 6 5 4 3 2 1

10 9 8 7 6 5 4 3 2 1

WITH BACK COVER



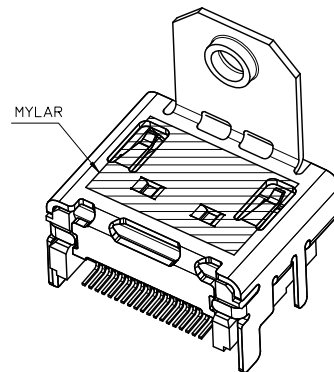
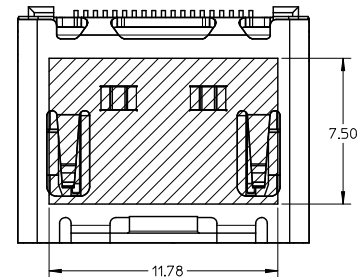
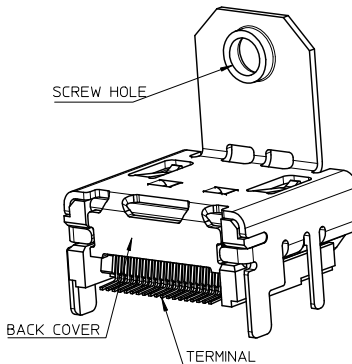
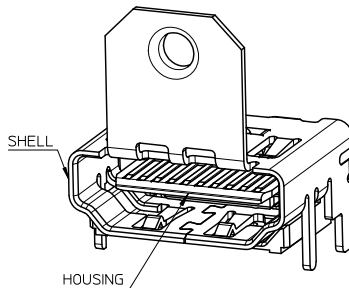
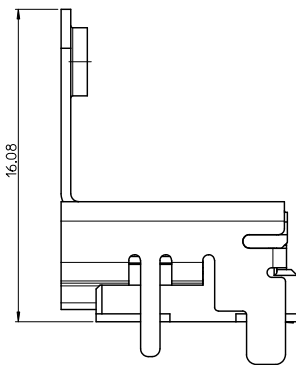
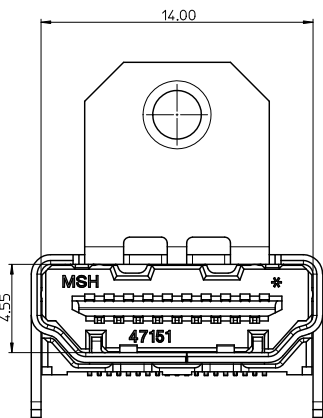
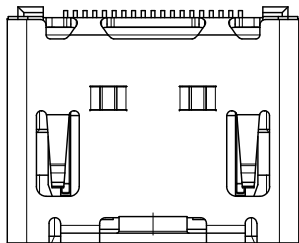
- NOTES:
 1. THE UNSPECIFIED DIMENSIONS REFER TO 47151-0001.
 2. PACKAGE SPECIFICATION FOR WITHOUT FLANGE REFER TO PK-47151-001.

THIS IS ONLY FOR 47151-1061/1071/1081

SEE SHEET 1 EC NO: SH2010-0164 DRWN: XZHANG CHKD: GLLI APPR: XJISONG 2009/10/20 2009/10/21 2009/11/30	QUALITY SYMBOLS	GENERAL TOLERANCES (UNLESS SPECIFIED)	DIMENSION STYLE	SCALE	DESIGN UNITS	THIRD ANGLE PROJECTION
	$\nabla=0$ $\nabla=0$ $\nabla=0$	mm INCH 4 PLACES ± --- ± --- 3 PLACES ± --- ± --- 2 PLACES ± 0.25 ± --- 1 PLACE ± 0.25 ± --- ANGULAR ± 3°	MM ONLY	5:1	METRIC	
	DRAFT WHERE APPLICABLE MUST REMAIN WITHIN DIMENSIONS	DRAWN BY: RZHANG DATE: 2004/07/20 CHECKED BY: GRMA DATE: 2004/07/20 APPROVED BY: YTYAP DATE: 2004/07/20	TITLE	1.0 HDMI RIGHT ANGLE HEADER ASSEMBLY(19 PIN) LEAD FREE		
	MATERIAL NO. SEE SHEET 7 SIZE A	MOLEX INCORPORATED SD-47151-001		SHEET NO.	3 OF 8	

10 9 8 7 6 5 4 3 2 1

WITH BACK COVER



THIS IS ONLY FOR
47151-1025/1075/1085/6022/6032/1026/2062

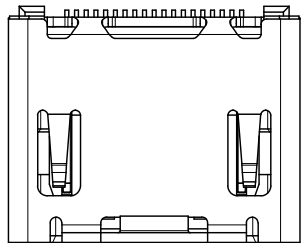
NOTES:

1. THE UNSPECIFIED DIMENSIONS REFER TO 47151-0002.
2. PACKAGE SPECIFICATION FOR WITH FLANGE:
 OPTION 1: 47151-1026/2062/6032 REFER TO PK-47151-005.
 OPTION 2: 47151-1102 REFER TO PK-47151-003.
 OPTION 3: OTHER PART NUMBER REFER TO PK-47151-002.

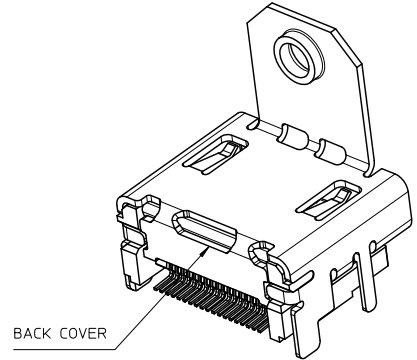
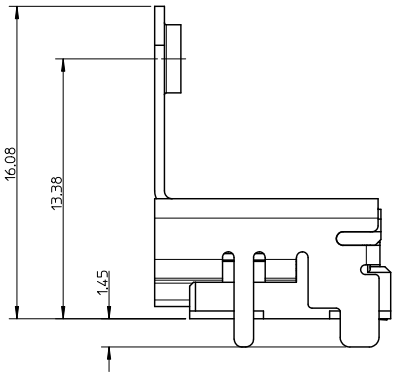
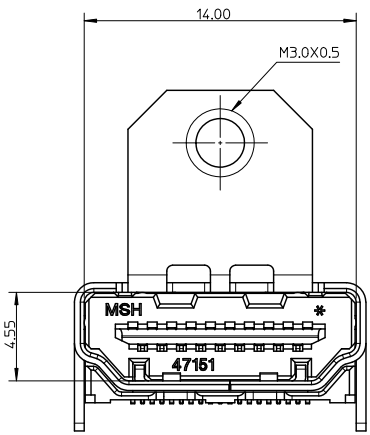
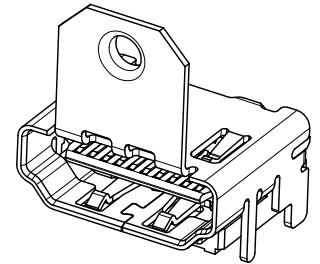
SEE SHEET 1 EC NO: SH2010-0164 DRWN: RZHANG 2009/10/20 CHKD: GILLI 2009/10/21 APPR: XJSONG 2009/11/20 REV DESCRIPTION	QUALITY SYMBOLS	GENERAL TOLERANCES (UNLESS SPECIFIED)	DIMENSION STYLE	SCALE	DESIGN UNITS	THIRD ANGLE PROJECTION
	▽=0	mm INCH	MM ONLY	5:1	METRIC	
	▽=0	4 PLACES ± --- ± ---	DRAWN BY	DATE	TITLE	
	▽=0	3 PLACES ± --- ± ---	RZHANG	2004/07/20	1.0 HDMI RIGHT ANGLE HEADER ASSEMBLY(19 PIN) LEAD FREE	
	2 PLACES ± 0.25 ± ---	CHECKED BY	DATE			
	1 PLACE ± 0.25 ± ---	GRMA	2004/07/20			
	ANGULAR ± 3°	APPROVED BY	DATE			
	DRAFT WHERE APPLICABLE MUST REMAIN WITHIN DIMENSIONS	YTYAP	2004/07/20			
		MATERIAL NO.	SEE SHEET 8			
		DOCUMENT NO.				
		SHEET NO.				

9 8 7 6 5 4 3 2 1

10 9 8 7 6 5 4 3 2 1



WITHOUT TOP HOLE



NOTES:
 1. THE UNSPECIFIED DIMENSIONS REFER TO 47151-1102.
 2. PACKAGE SPECIFICATION FOR WITH FLANGE REFER TO PK-47151-002.

SEE SHEET 1 EC NO: SH2010-0164 DRAWN: RZHANG CHECKED BY: CHYKSELLI APPROVED BY: JIANGSONG 2009/10/20 2009/10/21 2009/11/20	QUALITY SYMBOLS	GENERAL TOLERANCES (UNLESS SPECIFIED)	DIMENSION STYLE	SCALE	DESIGN UNITS	THIRD ANGLE PROJECTION
	▽=0	mm INCH	MM ONLY	5:1	METRIC	
	▽=0	4 PLACES ± --- ± ---	DRAWN BY RZHANG	DATE 2004/07/20	TITLE	
	▽=0	3 PLACES ± 0.25 ± ---	CHECKED BY GRMA	DATE 2004/07/20	1.0 HDMI RIGHT ANGLE HEADER ASSEMBLY(19 PIN) LEAD FREE	
	1 PLACE ± 0.25 ± ---	ANGULAR ± 3 °	APPROVED BY YTYAP	DATE 2004/07/20	MOLEX INCORPORATED	
	DRAFT WHERE APPLICABLE MUST REMAIN WITHIN DIMENSIONS	MATERIAL NO.	SEE SHEET 7	DOCUMENT NO.	SD-47151-001	
		SIZE A 3	THIS DRAWING CONTAINS INFORMATION THAT IS PROPRIETARY TO MOLEX INCORPORATED AND SHOULD NOT BE USED WITHOUT WRITTEN PERMISSION			
					SHEET NO.	5 OF 8

tb_frame_A3_P_AM_T
 Rev. F 2009/06/18

9 8 7 6 5 4 3 2 1

10 9 8 7 6 5 4 3 2 1

ASSEMBLY P/N	DIMENSION					FEATURE				HOUSING COLOUR	GOLD PLATING IN CONTACT AREA	SHELL PLATING	REMARK
	DIM A	DIM B	DIM C	DIM D	DIM E	FLANGE	BACK COVER	TOP HOLES	MYLAR				
47151-0001	1.80	2.20	/	/	/	W/O	W/O	WITH	W/O	BLACK	SEE NOTE 2 (1)	SEE NOTE 2 (a)	FOR SHEET 1
47151-0041										SEE NOTE 2 (2)			
47151-0051										SEE NOTE 2 (3)			
47151-0011										SEE NOTE 2 (1)			
47151-0071										SEE NOTE 2 (2)			
47151-0061										SEE NOTE 2 (3)			
47151-0021	BLACK	SEE NOTE 2 (1)	SEE NOTE 2 (b)										
47151-0031	NATURE	SEE NOTE 2 (1)											
47151-0101	1.45	1.45	/	/	/	W/O	W/O	WITH	W/O	BLACK	SEE NOTE 2 (1)	SEE NOTE 2 (a)	
47151-0141										SEE NOTE 2 (2)			
47151-0151										SEE NOTE 2 (3)			
47151-0111										SEE NOTE 2 (1)			
47151-0181										SEE NOTE 2 (2)			
47151-0161										SEE NOTE 2 (3)			
47151-0121	BLACK	SEE NOTE 2 (1)	SEE NOTE 2 (b)										
47151-0131	NATURE	SEE NOTE 2 (1)											
47151-0002	1.80	2.20	M3.0X0.5	16.08	13.38	WITH	W/O	WITH	W/O	BLACK	SEE NOTE 2 (1)	SEE NOTE 2 (a)	FOR SHEET 2
47151-0042										SEE NOTE 2 (2)			
47151-0062										SEE NOTE 2 (3)			
47151-0012										SEE NOTE 2 (1)			
47151-0052										SEE NOTE 2 (2)			
47151-0072										SEE NOTE 2 (3)			
47151-0022	BLACK	SEE NOTE 2 (1)	SEE NOTE 2 (b)										
47151-0032	NATURE	SEE NOTE 2 (1)											
47151-0102	1.45	1.45	M3.0X0.5	16.08	13.38	WITH	W/O	WITH	W/O	BLACK	SEE NOTE 2 (1)	SEE NOTE 2 (a)	
47151-0142										SEE NOTE 2 (2)			
47151-0162										SEE NOTE 2 (3)			
47151-0112										SEE NOTE 2 (1)			
47151-0152										SEE NOTE 2 (2)			
47151-0172										SEE NOTE 2 (3)			
47151-0122	BLACK	SEE NOTE 2 (1)	SEE NOTE 2 (b)										
47151-0132	NATURE	SEE NOTE 2 (1)											
47151-6002	1.80	2.20	M3.0X0.5	14.25	11.28	WITH	W/O	WITH	W/O	BLACK	SEE NOTE 2 (1)	SEE NOTE 2 (a)	
47151-6062										SEE NOTE 2 (2)			
47151-6082										SEE NOTE 2 (3)			
47151-6102										SEE NOTE 2 (1)			
47151-6172	1.45	1.45	M3.0X0.5	14.25	11.28	WITH	W/O	WITH	W/O	BLACK	SEE NOTE 2 (2)		
47151-6162										SEE NOTE 2 (3)			

SEE SHEET 1 EC NO: SH2010-0164 DRAWN: XZHANG 2009/10/20 CHECKED: LLI 2009/10/21 APPROVED: J. SONG 2009/11/30	QUALITY SYMBOLS 	GENERAL TOLERANCES (UNLESS SPECIFIED)		DIMENSION STYLE MM ONLY		SCALE 1:1	DESIGN UNITS METRIC	THIRD ANGLE PROJECTION	
		4 PLACES ± --- ± ---	3 PLACES ± --- ± ---	DRAWN BY RZHANG	DATE 2004/07/20	TITLE 1.0 HDMI RIGHT ANGLE HEADER ASSEMBLY(19 PIN) LEAD FREE			
		2 PLACES ± 0.25 ± ---	1 PLACE ± 0.25 ± ---	CHECKED BY GRMA	DATE 2004/07/20	MOLEX INCORPORATED			
		ANGULAR ± 3°		APPROVED BY YTYAP	DATE 2004/07/20	MATERIAL NO. SEE TABLE	DOCUMENT NO. SD-47151-001	SHEET NO. 6 OF 8	
DRAFT WHERE APPLICABLE MUST REMAIN WITHIN DIMENSIONS				THIS DRAWING CONTAINS INFORMATION THAT IS PROPRIETARY TO MOLEX INCORPORATED AND SHOULD NOT BE USED WITHOUT WRITTEN PERMISSION					

tb_frame_A3_P_AM.T
Rev. F 2009/06/18

10 9 8 7 6 5 4 3 2 1

ASSEMBLY P/N	DIMENSION					FEATURE				HOUSING COLOUR	GOLD PLATING IN CONTACT AREA	SHELL PLATING	REMARK
	DIM A	DIM B	DIM C	DIM D	DIM E	FLANGE	BACK COVER	TOP HOLES	MYLAR				
47151-1001	1.80	2.20	/	/	/	W/O	WITH	WITH	W/O	BLACK		SEE NOTE 2 (a)	FOR SHEET 3
47151-1041													
47151-1051													
47151-1003													
47151-1061													
47151-1071													
47151-1081													
47151-1011													
47151-1211													
47151-1311													
47151-1021	1.45	1.45	/	/	/	W/O	WITH	WITH	W/O	NATURE	SEE NOTE 2 (a)	FOR SHEET 3	
47151-1091													
47151-1031													
47151-1101													
47151-1141													
47151-1151													
47151-1111													
47151-1161													
47151-1171													
47151-1121													
47151-1131	1.45	1.45	M3.0X0.5	16.08	13.38	WITH	WITH	W/O	W/O	BLACK	SEE NOTE 2 (a)	FOR SHEET 5	
47151-7102													
47151-7142													
47151-7162													

SEE SHEET 1 EC NO: SH2010-0164 DRAWN: RZHANG 2009/10/20 CHECKED: L 2009/10/21 APPROVED: XJSONG 2009/11/30	QUALITY SYMBOLS	GENERAL TOLERANCES (UNLESS SPECIFIED)	DIMENSION STYLE	SCALE	DESIGN UNITS	THIRD ANGLE PROJECTION
	$\nabla=0$ $\nabla=0$ $\nabla=0$	mm INCH 4 PLACES ± --- ± --- 3 PLACES ± --- ± --- 2 PLACES ± 0.25 ± --- 1 PLACE ± 0.25 ± --- ANGULAR ± 3°	MM ONLY	1:1	METRIC	
	DESCRIPTION	DRAFT WHERE APPLICABLE MUST REMAIN WITHIN DIMENSIONS	DRAWN BY: RZHANG DATE: 2004/07/20 CHECKED BY: GRMA DATE: 2004/07/20 APPROVED BY: YTYAP DATE: 2004/07/20	TITLE: 1.0 HDMI RIGHT ANGLE HEADER ASSEMBLY(19 PIN) LEAD FREE MOLEX INCORPORATED		
	REV		MATERIAL NO. SEE TABLE	DOCUMENT NO. SD-47151-001	SHEET NO. 7 OF 8	

ib_frame_A3_P_AM.T Rev. F 2009/06/18 9 8 7 6 5 4 3 2 1

10 9 8 7 6 5 4 3 2 1

ASSEMBLY P/N	DIMENSION					FEATURE				HOUSING COLOUR	GOLD PLATING IN CONTACT AREA	SHELL PLATING	REMARK
	DIM A	DIM B	DIM C	DIM D	DIM E	FLANGE	BACK COVER	TOP HOLES	MYLAR				
47151-1002	1.80	2.20	M3.0x0.5	16.08	13.38	WITH	WITH	WITH	W/O	BLACK	SEE NOTE 2 (1)	SEE NOTE 2 (a)	
47151-1042									SEE NOTE 2 (2)				
47151-1052									SEE NOTE 2 (3)				
47151-1062									SEE NOTE 2 (4)				
47151-2062									SEE NOTE 2 (4)				
47151-1012									SEE NOTE 2 (1)				
47151-1072									SEE NOTE 2 (2)				
47151-1082									SEE NOTE 2 (3)				
47151-1022									BLACK	SEE NOTE 2 (1)			
47151-1032									NATURE	SEE NOTE 2 (1)	SEE NOTE 2 (b)		
47151-1102	1.45	1.45	M3.0x0.5	16.08	13.38	WITH	WITH	WITH	W/O	BLACK	SEE NOTE 2 (1)	SEE NOTE 2 (a)	
47151-1142									SEE NOTE 2 (2)				
47151-1152									SEE NOTE 2 (3)				
47151-1112									SEE NOTE 2 (1)				
47151-1162									NATURE	SEE NOTE 2 (2)			
47151-1172									SEE NOTE 2 (3)				
47151-1122									BLACK	SEE NOTE 2 (1)			
47151-1132									NATURE	SEE NOTE 2 (1)	SEE NOTE 2 (b)		
47151-1005	1.80	2.20	4-40	16.08	13.38	WITH	WITH	WITH	W/O	BLACK	SEE NOTE 2 (1)	SEE NOTE 2 (a)	
47151-1045									SEE NOTE 2 (2)				
47151-1065									SEE NOTE 2 (3)				
47151-1015									SEE NOTE 2 (1)				
47151-1035									NATURE	SEE NOTE 2 (2)			
47151-1055									SEE NOTE 2 (3)				
47151-1025									SEE NOTE 2 (1)				
47151-1075									SEE NOTE 2 (2)				
47151-1085									BLACK	SEE NOTE 2 (3)			
47151-1026									SEE NOTE 2 (1)				
47151-6012	1.80	2.20	M3.0x0.5	14.25	11.28	WITH	WITH	WITH	W/O	BLACK	SEE NOTE 2 (1)	SEE NOTE 2 (a)	
47151-6042									SEE NOTE 2 (2)				
47151-6052									SEE NOTE 2 (3)				
47151-6022									SEE NOTE 2 (1)				
47151-6032									SEE NOTE 2 (3)				
47151-6112									SEE NOTE 2 (1)				
47151-6142	1.45	1.45							W/O	BLACK	SEE NOTE 2 (2)		
47151-6152									SEE NOTE 2 (3)				

FOR SHEET 4

SEE SHEET 1 EC NO: SH2010-0164 DRAWN BY: SHIZHANG 2009/10/20 CHECKED BY: CHYKJGILL 2009/10/21 APPROVED BY: XIAJIONG 2009/11/30	QUALITY SYMBOLS ∇=0 ∇=0 ∇=0	GENERAL TOLERANCES (UNLESS SPECIFIED) mm INCH 4 PLACES ± --- ± --- 3 PLACES ± --- ± --- 2 PLACES ± 0.25 ± --- 1 PLACE ± 0.25 ± --- ANGULAR ± 3°	DIMENSION STYLE MM ONLY DRAWN BY: RZHANG DATE: 2004/07/20 CHECKED BY: GRMA DATE: 2004/07/20 APPROVED BY: YTYAP DATE: 2004/07/20	SCALE: 1:1 DESIGN UNITS: METRIC THIRD ANGLE PROJECTION	TITLE: 1.0 HDMI RIGHT ANGLE HEADER ASSEMBLY(19 PIN) LEAD FREE MOLEX INCORPORATED DOCUMENT NO. SD-47151-001 SHEET NO. 8 OF 8	
	DRAFT WHERE APPLICABLE MUST REMAIN WITHIN DIMENSIONS		MATERIAL NO. SEE TABLE		THIS DRAWING CONTAINS INFORMATION THAT IS PROPRIETARY TO MOLEX INCORPORATED AND SHOULD NOT BE USED WITHOUT WRITTEN PERMISSION	

lb_frame_A3_P_AM_T
Rev. F 2009/06/18