

PLEASE CHECK WWW.MOLEX.COM FOR LATEST PART INFORMATION

Part Number: [0462350001](#)
Status: **Active**
Overview: [Micro-Fit, 3.0™](#)
Description: Micro-Fit 3.0™ Reduced Mating Force, Crimp Terminal, Female, with 0.38µm (15µ") Selective Gold (Au) over Nickel (Ni), 20-24 AWG, without Lubricant

Documents:

[Drawing \(PDF\)](#) [RoHS Certificate of Compliance \(PDF\)](#)
[Product Specification PS-46235-001 \(PDF\)](#)

General

Product Family	Crimp Terminals
Series	46235
Comments	Up to 50% reduction in mating force
Crimp Quality Equipment	Yes
Overview	Micro-Fit, 3.0™
Product Name	Micro-Fit 3.0™

Physical

Durability (mating cycles max)	40
Gender	Female
Material - Metal	Copper-Zinc-Tin
Material - Plating Mating	Gold
Material - Plating Termination	Nickel
Packaging Type	Reel
Plating min: Mating (µin)	0.38
Plating min: Mating (µm)	15
Plating min: Termination (µin)	50
Plating min: Termination (µm)	1.27
Termination Interface: Style	Crimp or Compression
Wire Insulation Diameter	1.85mm (.073") max.
Wire Size AWG	20, 22, 24
Wire Size mm²	N/A

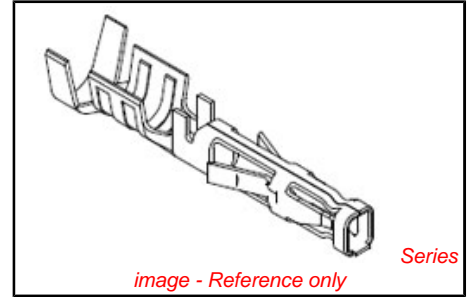
Electrical

Voltage - Maximum	600V
-------------------	------

Material Info

Reference - Drawing Numbers

Packaging Specification	PK-46235-001
Product Specification	PS-46235-001
Sales Drawing	SD-46235-001
Test Summary	TS-46235-001



EU RoHS

ELV and RoHS Compliant
REACH SVHC Contains SVHC: No
Halogen-Free Status

China RoHS



Need more information on product environmental compliance?

Email productcompliance@molex.com
 For a multiple part number RoHS Certificate of Compliance, [click here](#)

Please visit the [Contact Us](#) section for any non-product compliance questions.

Search Parts in this Series
[46235Series](#)

Use With
 Micro-Fit 3.0™ Receptacle Housing [43025](#) , [43645](#) , [44133](#)

Application Tooling | FAQ
Tooling specifications and manuals are found by selecting the products below. Crimp Height Specifications are then contained in the Application Tooling Specification document.

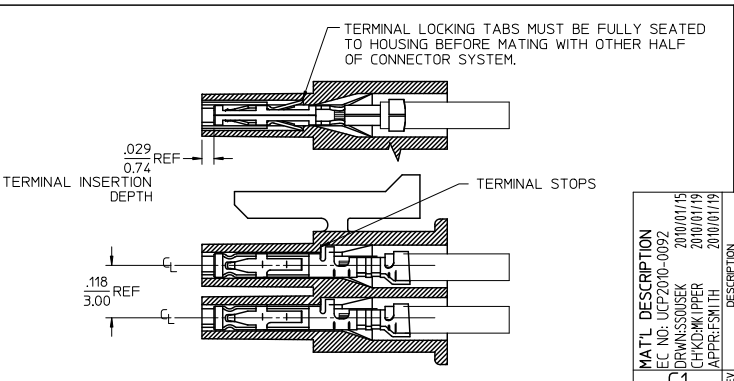
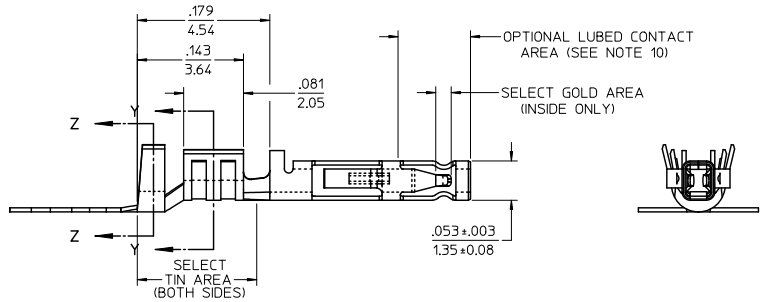
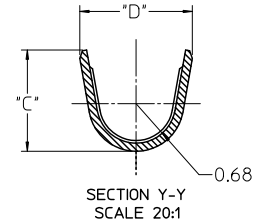
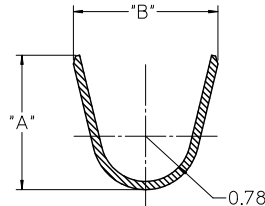
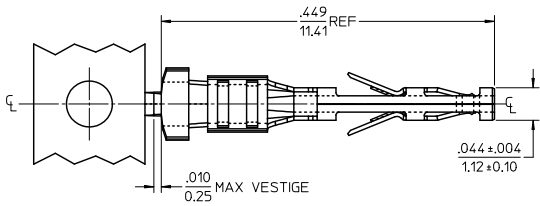
Global Description	Product #
FineAdjust™ Applicator for Low Force Micro-Fit 3.0™ Crimp Terminals, 20-24 AWG	0639001400
T2 Terminator Tooling to be used with Low Force	0639101400

Micro-Fit 3.0™ Crimp
Terminals, 20-24
Hand Crimp Tool for [0638192900](#)
Low Force Micro-
Fit 3.0™ Crimp
Terminals
Extraction Tool [0011030043](#)

This document was generated on 05/17/2010

PLEASE CHECK WWW.MOLEX.COM FOR LATEST PART INFORMATION

MATERIAL NUMBER	WIRE SIZE	PLATING OPTION	LUBRICATION	MAX INSULATION	"A" ±.012 +0.30	"B" ±.012 +0.30	"C" ±.012 +0.30	"D" ±.012 +0.30
46235-0001	20-24	1	NO	.073	.091	.098	.068	.073
46235-0002		2		1.85	2.30	2.48	1.73	1.93
46235-0003	26-30	1		.050	.075	.090	.048	.069
46235-0004		2		1.27	1.90	2.29	1.22	1.75
46235-5001	20-24	1	YES	.073	.091	.098	.068	.073
46235-5002		2		1.85	2.30	2.48	1.73	1.93
46235-5003	26-30	1		.050	.075	.090	.048	.069
46235-5004		2		1.27	1.90	2.29	1.22	1.75



- NOTES
- 1) MATERIAL: COPPER ALLOY
 - 2) TERMINAL PLATING:
 - 1) .000015/0.00038 MIN. SELECT GOLD .000100/0.00254 MIN. SELECT TIN ALL OVER .000050/0.00127 MIN. NICKEL OVERALL.
 - 2) .000030/0.00076 MIN. SELECT GOLD .000100/0.00254 MIN. SELECT TIN ALL OVER .000050/0.00127 MIN. NICKEL OVERALL.
 - 3) PRODUCT SPECIFICATION: PS-46235-001
 - 4) PACKAGING SPECIFICATION: PK-46235-001
 - 5) TERMINAL FOR USE IN RECEPTACLE SERIES 43025, 43645 AND 44133.
 - 6) FOR TERMINAL ORIENTATION IN RECEPTACLE SEE PICTORIAL IN LOWER LEFT CORNER
 - 7) THIS TERMINAL IS DESIGNED IN METRIC
 - 8) MOLEX RECOMMENDS THE USE OF MICRO-FIT TEST PLUG (SERIES 44242) WHENEVER CONTINUITY TESTING IS PERFORMED. TEST PLUGS MUST NOT BE USED TO MAKE OR BREAK UNDER LOAD. MOLEX DOES NOT RECOMMEND USING STANDARD MATING COMPONENTS (SERIES 43020, 43045, 43640, 43650, OR 43031) FOR HARNESS TESTING PURPOSES
 - 9) THIS PART CONFORMS TO CLASS B REQUIREMENTS OF COSMETIC SPEC PS-45499-002
 - 10) MOLEX PROPRIETARY CONTACT LUBRICATION EB-1 IS APPLIED IN THE CONTACT AREA AS SHOWN. SEE CHART FOR APPLICABLE PART NUMBERS.

MAT'L DESCRIPTION EC NO. UCE2010-0092 DRWNSOUSEK 2010/01/15 CHKCHKI PPKR 2010/01/19 APPR:SMITH 2010/01/19	QUALITY SYMBOLS 	GENERAL TOLERANCES (UNLESS SPECIFIED)		DIMENSION STYLE IN/MM		SCALE 10:1	DESIGN UNITS METRIC	THIRD ANGLE PROJECTION
		4 PLACES ± --- ± --- 3 PLACES ± --- ± .010 2 PLACES ± 0.25 ± .014 1 PLACE ± 0.35 ± --- ANGULAR ± 1/2°	mm INCH	DRAWN BY T.GREGORI DATE 2007/02/05	CHECKED BY JCOMERC I DATE 2007/03/19	TITLE MICRO-FIT (3.0) FEMALE CRIMP TERMINAL LOW MATE FORCE		
DRAFT WHERE APPLICABLE MUST REMAIN WITHIN DIMENSIONS	SIZE SEE CHART	APPROVED BY JCOMERC I DATE 2007/03/19		MATERIAL NO. SEE CHART		DOCUMENT NO. SD-46235-001		SHEET NO. 1 OF 1
		THIS DRAWING CONTAINS INFORMATION THAT IS PROPRIETARY TO MOLEX INCORPORATED AND SHOULD NOT BE USED WITHOUT WRITTEN PERMISSION						