

PLEASE CHECK WWW.MOLEX.COM FOR LATEST PART INFORMATION

Part Number: [0430451621](#)
Status: **Active**
Overview: [microfit_30](#)
Description: 3.00mm (.118") Pitch Micro-Fit 3.0™ Header, Surface Mount Compatible, Dual Row, Right Angle, with Press-fit Metal Retention Clip, 16 Circuits, Tin (Sn) Plating, Glow Wire Compatible

Documents:

[3D Model](#) [Product Specification PS-43045 \(PDF\)](#)
[Drawing \(PDF\)](#) [RoHS Certificate of Compliance \(PDF\)](#)

Agency Certification

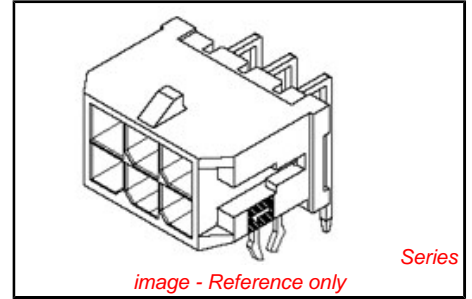
CSA LR19980
TUV R72081037
UL E29179

General

Product Family PCB Headers
Series 43045
Application Wire-to-Board
Comments High Temperature|Square Pin|Solder Type
Overview [microfit_30](#)
Product Literature Order No USA-106
Product Name Micro-Fit 3.0™

Physical

Breakaway No
Circuits (Loaded) 16
Circuits (maximum) 16
Color - Resin Black
Durability (mating cycles max) 30
Flammability 94V-0
Glow-Wire Compliant Yes
Mated Height (in) 0.396 In
Mated Height (mm) 10.06 mm
Material - Metal Brass
Material - Plating Mating Tin
Material - Plating Termination Tin
Material - Resin High Temperature Thermoplastic
Number of Rows 2
Orientation Right Angle
PCB Locator Yes
PCB Retention Yes
PCB Thickness Recommended (in) 0.062 In
PCB Thickness Recommended (mm) 1.60 mm
Packaging Type Tray
Pitch - Mating Interface (in) 0.118 In
Pitch - Mating Interface (mm) 3.00 mm
Plating min: Mating (µin) 100
Plating min: Mating (µm) 2.50
Plating min: Termination (µin) 100
Plating min: Termination (µm) 2.50
Polarized to PCB Yes
Shrouded Fully
Stackable No
Surface Mount Compatible (SMC) Yes



<p>EU RoHS ELV and RoHS Compliant REACH SVHC Contains SVHC: No Halogen-Free Status Halogen-Free</p>	<p>China RoHS</p>
--	--------------------------

Need more information on product environmental compliance?
Email productcompliance@molex.com
For a multiple part number RoHS Certificate of Compliance, [click here](#)
Please visit the [Contact Us](#) section for any non-product compliance questions.

Search Parts in this Series
[43045Series](#)

Mates With
[43025](#)

Temperature Range - Operating -40°C to +105°C
Termination Interface: Style Through Hole

Electrical

Current - Maximum per Contact 5A
Voltage - Maximum 250V

Solder Process Data

Duration at Max. Process Temperature (seconds) 30
Lead-free Process Capability SMC & Wave Capable (TH only)
Max. Cycles at Max. Process Temperature 3
Process Temperature max. C 260

Material Info

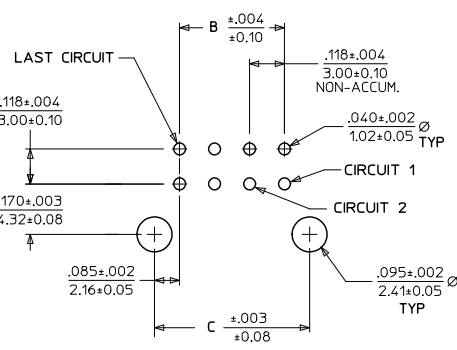
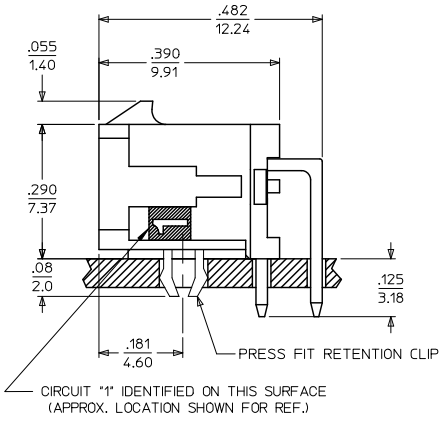
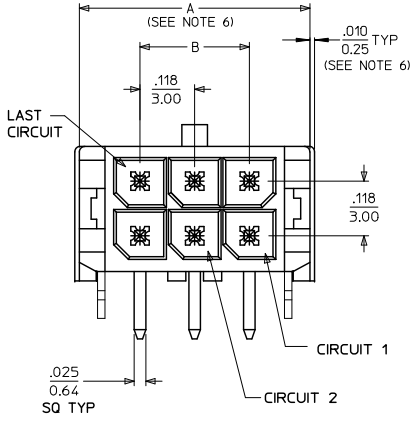
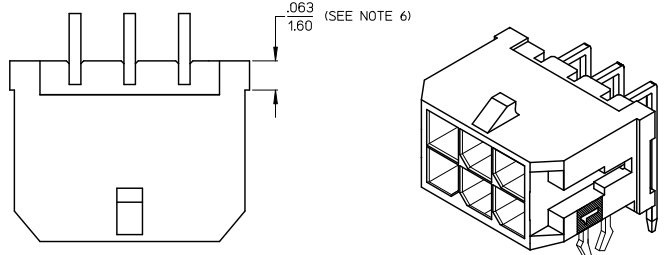
Reference - Drawing Numbers

Packaging Specification PK-70873-0313
Product Specification PS-43045, RPS-43045-003, RPS-43045-004
Sales Drawing SD-43045-008
Test Summary TS-43045-001

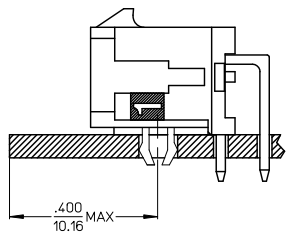
This document was generated on 05/24/2010

PLEASE CHECK WWW.MOLEX.COM FOR LATEST PART INFORMATION

13 12 11 10 9 8 7 6 5 4 3 2 1



PCB LAYOUT: COMPONENT SIDE
RECOMMEND PCB THICKNESS: .062/1.57



LOCATION DETAIL
SEE NOTE #7

CKTS	A (SEE NOTE 6)	B	C
02	.262 6.65	NA	.169 4.30
04	.380 9.65	.118 3.00	.287 7.30
06	.498 12.65	.236 6.00	.405 10.30
08	.616 15.65	.354 9.00	.524 13.30
10	.734 18.65	.472 12.00	.642 16.30
12	.852 21.65	.591 15.00	.760 19.30
14	.970 24.65	.709 18.00	.878 22.30
16	1.088 27.65	.827 21.00	.996 25.30
18	1.206 30.65	.945 24.00	1.114 28.30
20	1.325 33.65	1.063 27.00	1.252 31.30
22	1.443 36.65	1.181 30.00	1.350 34.30
24	1.561 39.65	1.299 33.00	1.469 37.30

CKTS	FINISH A	FINISH B	FINISH C
	MATERIAL NO:	MATERIAL NO:	MATERIAL NO:
02	43045-0221	43045-0222	43045-0223
04	43045-0421	43045-0422	43045-0423
06	43045-0621	43045-0622	43045-0623
08	43045-0821	43045-0822	43045-0823
10	43045-1021	43045-1022	43045-1023
12	43045-1221	43045-1222	43045-1223
14	43045-1421	43045-1422	43045-1423
16	43045-1621	43045-1622	43045-1623
18	43045-1821	43045-1822	43045-1823
20	43045-2021	43045-2022	43045-2023
22	43045-2221	43045-2222	43045-2223
24	43045-2421	43045-2422	43045-2423

- NOTES:
- HOUSING MATERIAL: GLASS FILLED LIQUID CRYSTAL POLYMER UL94V-0, COLOR: BLACK
TERMINAL MATERIAL: BRASS ALLOY
 - FINISH: A = .000100/(0.00254) MIN. TIN OVER .000050/(0.00127) MIN. NICKEL PLATE.
B = .000015/(0.00038) MIN. SELECT GOLD IN CONTACT AREA, .000100/(0.00254) MIN. SELECT MATTE TIN ON SOLDER TAILS, BOTH OVER .000050/(0.00127) MIN. NICKEL PLATE.
C = .000030/(0.00076) MIN. SELECT GOLD IN CONTACT AREA, .000100/(0.00254) MIN. SELECT MATTE TIN ON SOLDER TAILS, BOTH OVER .000050/(0.00127) MIN. NICKEL PLATE.
 - * THE PRIMARY SHIPPING CARTON WILL BE LABELED "COMPLIANT TO RoHS DIRECTIVE 2002/95/EC AND ELV ANNEX II OF DIRECTIVE 2000/53/EC." CARTONS WITHOUT THIS LABEL MAY CONTAIN PRODUCT WITH TIN/LEAD IN THE PC TAIL AREA.
 - PRODUCT SPECIFICATION: PS-43045
 - TRAY PACKAGED: SEE MOLEX DRAWING PK-70873-0313
 - MATES WITH MICRO FIT (3.0) RECEPTACLE SERIES 43025
 - .010/0.25 OFFSETS ARE PRESENT ON ALL PARTS MANUFACTURED AFTER 11/11/2007, AND ON PARTS PRIOR TO 11/11/2007 THAT CONTAIN A GREEN DOT ON THE PRIMARY SHIPPING CARTON LABEL.
 - TO AVOID INTERFERENCE BETWEEN RECEPTACLE AND PCB, HEADER MUST BE PLACED WITHIN .400/(10.16) MAX. FROM EDGE OF PCB, AS SHOWN IN LOCATION DETAIL.
 - THIS PART CONFORMS TO CLASS B REQUIREMENTS OF COSMETIC SPECIFICATION PS-45499-002.

CORRECTED 482/12.24 EC NO. UCP2000-1324 DRAWN: IRENEUS 2009/11/25 CHKD: SMOUSEK 2009/11/25 APPROV: SMITH 2009/11/30	QUALITY SYMBOLS ▽=0 ▽=0 ▽=0	GENERAL TOLERANCES (UNLESS SPECIFIED)		DIMENSION STYLE		SCALE		DESIGN UNITS		THIRD ANGLE PROJECTION	
				IN/MM		---		METRIC			
		4 PLACES ±.005 ±.010		DRAWN BY: SAMIEC		DATE: 2000/03/15		TITLE: MICRO FIT (3.0) DUAL ROW RIGHT ANGLE THRU HOLE HEADER W/CLIPS			
		3 PLACES ±.005 ±.010		CHECKED BY: MUELLER		DATE: 2000/03/15		MATERIAL NO. SD-43045-008 DOCUMENT NO. 1 OF 1 SHEET NO. 1 OF 1			
		2 PLACES ±.005 ±.010		APPROVED BY: EDGLEY		DATE: 2000/03/15					
		1 PLACE ±.005 ±.010		ANGULAR ±1/2°		DRAFT WHERE APPLICABLE MUST REMAIN WITHIN DIMENSIONS		THIS DRAWING CONTAINS INFORMATION THAT IS PROPRIETARY TO MOLEX INCORPORATED AND SHOULD NOT BE USED WITHOUT WRITTEN PERMISSION			

ib_frame_C.P.M.E.T Rev. F 2009/06/18 12 11 10 9 8 7 6 5 4 3 2 1