

PLEASE CHECK WWW.MOLEX.COM FOR LATEST PART INFORMATION

Part Number: [0430251608](#)
Status: **Active**
Overview: [microfit_30](#)
Description: 3.00mm (.118") Pitch Micro-Fit 3.0™ Receptacle Housing, Dual Row, 16 Circuits, Halogen Free, Glow Wire Compatible

Documents:

[3D Model](#) [Product Specification PS-43045 \(PDF\)](#)
[Drawing \(PDF\)](#) [RoHS Certificate of Compliance \(PDF\)](#)

Agency Certification

CSA LR19980
TUV R72081037
UL E29179

General

Product Family Crimp Housings
Series [43025](#)
Comments Polarized to Mating Part
Overview [microfit_30](#)
Product Name Micro-Fit 3.0™

Physical

Circuits (maximum) 16
Circuits Detail 16
Color - Resin Black
Flammability 94V-0
Gender Female
Glow-Wire Compliant Yes
Keying to Mating Part None
Lock to Mating Part Yes
Material - Resin Polyester
Number of Rows 2
Packaging Type Bag
Panel Mount No
Pitch - Mating Interface (in) 0.118 In
Pitch - Mating Interface (mm) 3.00 mm
Polarized to Mating Part Yes
Stackable No
Temperature Range - Operating -40°C to +105°C

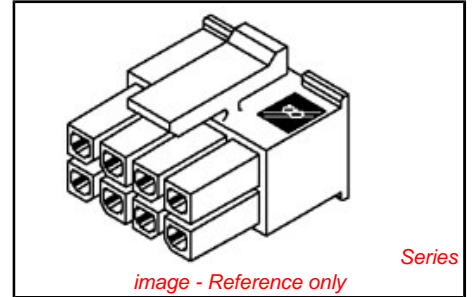
Electrical

Current - Maximum per Contact 5A

Material Info

Reference - Drawing Numbers

Packaging Specification PK-43025-001
Product Specification PS-43045
Sales Drawing SD-43025-001
Test Summary TS-43045-001



<p>EU RoHS ELV and RoHS Compliant REACH SVHC Contains SVHC: No Halogen-Free Status Halogen-Free</p>	<p>China RoHS</p> 
--	--

Need more information on product environmental compliance?
Email productcompliance@molex.com
For a multiple part number RoHS Certificate of Compliance, [click here](#)
Please visit the [Contact Us](#) section for any non-product compliance questions.

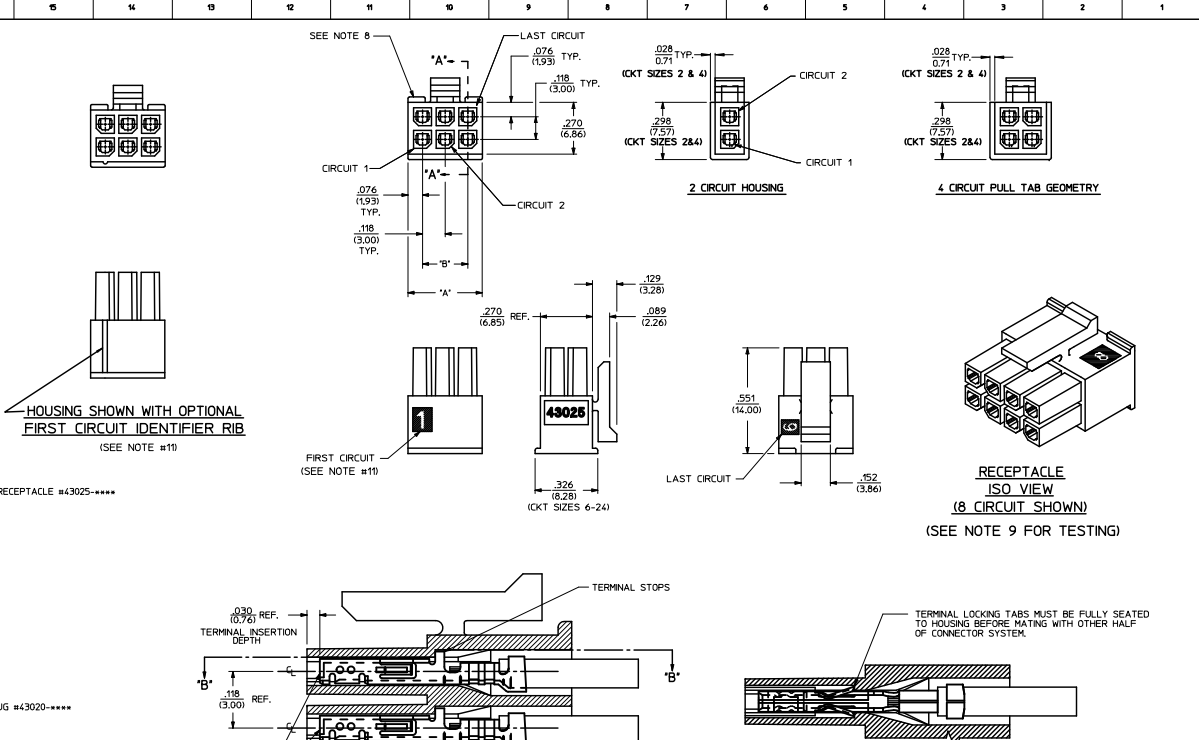
Search Parts in this Series
[43025Series](#)

Mates With
Micro-Fit 3.0™ Plug Housing [43020](#), Micro-Fit 3.0™ Header [43045](#), Micro-Fit 3.0™ Test Plug [44242](#)

Use With
Micro-Fit 3.0™ Crimp Terminal [43030](#)

PLEASE CHECK WWW.MOLEX.COM FOR LATEST PART INFORMATION

PART CHARACTERISTICS		CKT. NO.	DIM. "A"	DIM. "B"
NUMBER OF POSITION	ASSEMBLY ITEM NUMBER			
02	43025-0208	2	.152(3.86)	N/A
04	43025-0408	4	.270(6.85)	.118(3.00)
06	43025-0608	6	.388(9.85)	.236(6.00)
08	43025-0808	8	.506(12.85)	.354(9.00)
10	43025-1008	10	.624(15.85)	.472(12.00)
12	43025-1208	12	.742(18.85)	.591(15.00)
14	43025-1408	14	.860(21.85)	.709(18.00)
16	43025-1608	16	.978(24.85)	.827(21.00)
18	43025-1808	18	1.096(27.85)	.945(24.00)
20	NOT TOOLED	20	1.215(30.85)	1.063(27.00)
22	NOT TOOLED	22	1.333(33.85)	1.181(30.00)
24	43025-2408	24	1.451(36.85)	1.299(33.00)



- NOTES:**
- HOUSING MATERIAL: UNFILLED NYLON 6, RATED U.L. 94V-0, IEC 60335-1, 4TH EDITION GLOW WIRE CAPABLE, COLOR IS BLACK.
 - FINISH: N/A
 - PRODUCT SPECIFICATION: PS-43045
 - PACKAGING SPECIFICATION: PK-43025-001
 - THIS RECEPTACLE MATES WITH 43020, 43045.
 - THIS RECEPTACLE TO BE USED WITH MOLEX FEMALE TERMINAL #43030-****. SEE SECTION 'A'-'A' FOR TERMINAL ORIENTATION IN HOUSING.
 - FOR OVERMOLDING PARAMETERS SEE ENGINEERING SPECIFICATION #SDS-43025-1000.
 - TOP PULL TABS ARE NOT AVAILABLE ON 2 AND 4 CIRCUIT PARTS.
 - MOLEX RECOMMENDS THE USE OF MICRO-FIT TEST PLUG, SERIES NO. 44242-**** WHENEVER TESTING IS PERFORMED. TEST PLUGS MUST NOT BE USED FOR MAKE OR BREAK UNDER LOAD. MOLEX DOES NOT RECOMMEND USING STANDARD MATING COMPONENTS FOR HARNESS TESTING PURPOSES.
 - SOME HOUSINGS MAY HAVE A SMALL GATE BLEMISH NEAR THE GATE THAT DOES NOT AFFECT FUNCTIONALITY.
 - HOUSINGS MAY HAVE EITHER AN IDENTIFIER RIB OR 'Y' SYMBOL ENGRAVE TO INDICATE CIRCUIT #1.
 - THIS PART CONFORMS TO CLASS 'B' REQUIREMENTS OF COSMETIC SPECIFICATION PS-45499-002.

ADD PK SPEC MOLEX-0075 2089/11/25 DEKANS/SO/SEK 2089/11/25 CHUD-BELL 2089/11/25 APPROX/SMITH	QUALITY SYMBOLS	GENERAL TOLERANCES (UNLESS SPECIFIED)		DRAWN BY MKIPPER	DATE 2008/01/22	TITLE 2 MICRO-FIT (3.0) THRU 24 CIRCUIT RECEPTACLE, HALOGEN-FREE	SCALE ---	DESIGN UNITS METRIC	THIRD ANGLE PROJECTION
		mm	INCH						
		4 PLACES ± .005	± .005						
		3 PLACES ± .010	± .010						
		2 PLACES ± 0.25	± .014						
		1 PLACE ± 0.55	± .020						
		ANGULAR ± 1/2°							
		DRAFT WHERE APPLICABLE MUST REMAIN WITHIN DIMENSIONS							