

**PLEASE CHECK WWW.MOLEX.COM FOR LATEST PART INFORMATION**

**Part Number:** [0039532064](#)  
**Status:** **Active**  
**Overview:**  
**Description:** 1.25mm (.049") Pitch FFC/FPC Connector, Through-Hole, Right Angle, ZIF, Top Contact Style, 6 Circuits, Lead-free

**Agency Certification**

UL E29179

**General**

Product Family FFC/FPC Connectors  
 Series [5597](#)  
 Overview [ffc\\_fpc\\_throughhole](#)  
 Product Name N/A

**Physical**

Circuits (Loaded) 6  
 Color - Resin Natural  
 Contact Position Top  
 Durability (mating cycles max) 30  
 Entry Angle 90° Angle  
 Flammability 94V-0  
 Mated Height (in) 0.197 In  
 Mated Height (mm) 5.00 mm  
 Material - Metal Phosphor Bronze  
 Material - Plating Mating Tin-Bismuth  
 Material - Plating Termination Tin-Bismuth  
 Material - Resin Polyester  
 Number of Rows 1  
 Orientation Right Angle  
 PC Tail Length (in) 0.138 In  
 PC Tail Length (mm) 3.50 mm  
 PCB Locator No  
 PCB Retention None  
 Packaging Type Tray  
 Pitch - Mating Interface (in) 0.049 In  
 Pitch - Mating Interface (mm) 1.25 mm  
 Plating min: Mating (µin) 40  
 Plating min: Mating (µm) 1  
 Plating min: Termination (µin) 40  
 Plating min: Termination (µm) 1  
 Polarized to PCB No  
 Stackable No  
 Surface Mount Compatible (SMC) No  
 Temperature Range - Operating -20°C to +80°C  
 Termination Interface: Style Through Hole  
 Wire/Cable Type FFC/FPC

**Electrical**

Current - Maximum per Contact 1A  
 Voltage - Maximum 200V

**Material Info**

Old Part Number 5597-06APB7F

**Reference - Drawing Numbers**

Packaging Specification SPK-5597-003

**EU RoHS**  
**ELV and RoHS**  
**Compliant**

**REACH SVHC**  
 Not Reviewed  
**Halogen-Free**  
**Status**

**Not Reviewed**

**Need more information on product environmental compliance?**

Email [productcompliance@molex.com](mailto:productcompliance@molex.com)  
 For a multiple part number RoHS Certificate of Compliance, [click here](#)

Please visit the [Contact Us](#) section for any non-product compliance questions.

**China RoHS**



**Search Parts in this Series**  
[5597Series](#)

Product Specification

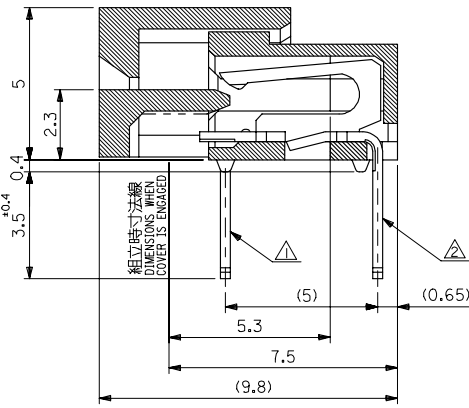
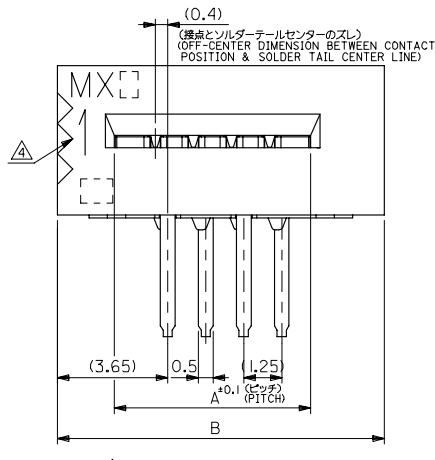
Sales Drawing

PS-5597-004, RPS-5597-005, RPS-5597-006,  
RPS-5597-013, RPS-5597-014, RPS-5597-015  
SD-5597-011

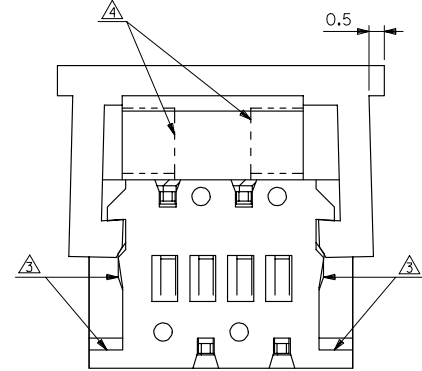
This document was generated on 06/04/2010

**PLEASE CHECK [WWW.MOLEX.COM](http://WWW.MOLEX.COM) FOR LATEST PART INFORMATION**

10 9 8 7 6 5 4 3 2 1



48.25	43.95	39-53-2344	5597-34APB7F	34	F
47.00	42.70	-2334	-33APB7F	33	
45.75	41.45	-2324	-32APB7F	32	
44.50	40.20	-2314	-31APB7F	31	
43.25	38.95	-2304	-30APB7F	30	
42.00	37.70	-2294	-29APB7F	29	
40.75	36.45	-2284	-28APB7F	28	
39.50	35.20	-2274	-27APB7F	27	E
38.25	33.95	-2264	-26APB7F	26	
37.00	32.70	-2254	-25APB7F	25	
35.75	31.45	-2244	-24APB7F	24	
34.50	30.20	-2234	-23APB7F	23	
33.25	28.95	-2224	-22APB7F	22	
32.00	27.70	-2214	-21APB7F	21	
30.75	26.45	-2204	-20APB7F	20	D
29.50	25.20	-2194	-19APB7F	19	
28.25	23.95	-2184	-18APB7F	18	
27.00	22.70	-2174	-17APB7F	17	
25.75	21.45	-2164	-16APB7F	16	
24.50	20.20	-2154	-15APB7F	15	
23.25	18.95	-2144	-14APB7F	14	
22.00	17.70	-2134	-13APB7F	13	
20.75	16.45	-2124	-12APB7F	12	
19.50	15.20	-2114	-11APB7F	11	C
18.25	13.95	-2104	-10APB7F	10	
17.00	12.70	-2094	-09APB7F	9	
15.75	11.45	-2084	-08APB7F	8	
14.50	10.20	-2074	-07APB7F	7	
13.25	8.95	-2064	-06APB7F	6	
12.00	7.70	-2054	-05APB7F	5	
10.75	6.45	-2044	-04APB7F	4	
9.50	5.20	39-53-2034	5597-03APB7F	3	B
B	A	EDP NO.	ENG NO.		極数 CKT.



- 注記 NOTES
- △ MX J側を基準に奇数番目の極におけるソルダーテール。SOLDER TAIL OF ODD CKTS, MXJ MARK AS BASIC.
  - △ MX J側を基準に偶数番目の極におけるソルダーテール。SOLDER TAIL OF EVEN CKTS, MXJ MARK AS BASIC.
  - ③ 3極~10極に適用。APPLY FOR 3-10 CKTS.
  - △ 3極~19極に適用。APPLY FOR 3-19 CKTS.
  - 5. ( ) 内寸法は、参考値。  
( ) DIMENSION IS FOR REFERENCE.
  - 6. ソルダーテールは、先端が取付推奨穴にガイドされること。  
SOLDER TAILS MAY BE CHECKED BY INSERTION FOR RECOMMENDED PCB BOARD HOLES.
  - 7. 本製品は5597-NAPBの鉛フリー品である。  
THIS PRODUCT IS LEAD FREE OF 5597-NAPB.

材料 MATERIAL  
HOUSING, ACTUATOR : PBTP, UL94V-0  
TERMINAL : PHOSPHOR-BRONZE  
THK : 0.3t

仕上げ FINISH : TIN-BISMUTH ;  
10 MICROMETER MINIMUM  
OVER NICKEL PLATING ;  
10 MICROMETER MINIMUM

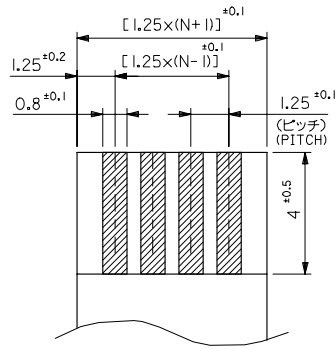
適用導線範囲 WIRE RANGE : —

挿入径 INS. RANGE : —

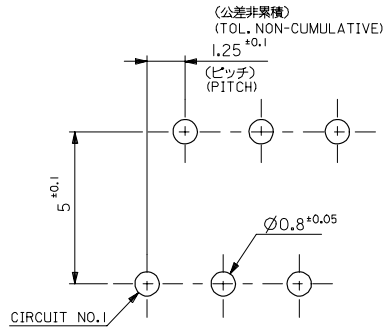
REVISED EC NO. J2007-2876 2007/04/19 DRAWN:SAITOH CHKD:THIRUYANA 2007/04/19 APPR:NIKIITA 2007/04/20 DESCRIPTION	GENERAL TOLERANCES (UNLESS SPECIFIED)		DIMENSION STYLE MM ONLY		SCALE ---	DESIGN UNITS METRIC	MODEL NO. 5597-NAPB7F
	10 UNDER	±0.2	DRAWN BY M. NAGATA	DATE '04/05/10	TITLE 1.25 FPC CONNECTOR ASSY ZIF -LEAD FREE-		
	10 OVER 30 UNDER	±0.25	CHECKED BY K. TOJO	DATE '04/05/10	THIRD ANGLE PROJECTION		
	30 OVER	±0.3	APPROVED BY M. SASAO	DATE '04/05/10	MOLEX INCORPORATED		
	ANGULAR ±3 °	DRAFT WHERE APPLICABLE MUST REMAIN WITHIN DIMENSIONS		MATERIAL NO. SEE CHART	DOCUMENT NO. SD-5597-011	SHEET NO. 1 OF 2	
REV B		SIZE A3		THIS DRAWING CONTAINS INFORMATION THAT IS PROPRIETARY TO MOLEX INCORPORATED AND SHOULD NOT BE USED WITHOUT WRITTEN PERMISSION			

10 9 8 7 6 5 4 3 2 1

F  
E  
D  
C  
B  
A



適合 FPC / FFC 推奨寸法  
RECOMMENDED FPC / FFC  
厚さ THK : 0.3 ± 0.05



基板取付穴推奨寸法 (t=1.6)  
RECOMMENDED P.C. BOARD  
HOLE DIMENSION

FPC/FFCについて:

打抜き方向は導体側から補強板側を推奨いたします。  
導体側については軟銅箔35マイクロメートルまたは50マイクロメートルを推奨いたします。

ABOUT FPC/FFC  
RECOMMENDED PUNCHER DIRECTION : FROM CONDUCTOR SIDE TO STIFFENER FILM SIDE.  
RECOMMENDED CONDUCTOR SPEC :  
THICKNESS OF SOFT COPPER FOIL : 35 MICROMETER OR 50 MICROMETER.

FPCについて:

補強フィルム材質はポリイミドを推奨します。  
接着剤は熱硬化接着剤を推奨します。

ABOUT FPC  
RECOMMENDED MATERIAL :  
STIFFENER FILM : POLYIMIDE  
BONDING AGENT : THERMOSETTING BONDING AGENT

MODEL NO. 5597-NAPB7F

REVISED EC NO. J2007-2876 DRW:KSAI1001 2007/04/19 CHKC:THRUJANA 2007/04/19 APPR:NIKIITA 2007/04/20	GENERAL TOLERANCES (UNLESS SPECIFIED)		DIMENSION STYLE MM ONLY		SCALE ---	DESIGN UNITS METRIC	THIRD ANGLE PROJECTION
	10 UNDER	± 0.2	DRAWN BY M. NAGATA	DATE '04/05/10	TITLE 1.25 FPC CONNECTOR ASSY ZIF -LEAD FREE-  MOLEX INCORPORATED		
	10 OVER 30 UNDER	± 0.25	CHECKED BY K. TOJO	DATE '04/05/10			
	30 OVER	± 0.3	APPROVED BY M. SASAO	DATE '04/05/10			
ANGULAR	± 3 °	MATERIAL NO. SEE CHART		DOCUMENT NO. SD-5597-011	SHEET NO. 2 OF 2		
DRAFT WHERE APPLICABLE MUST REMAIN WITHIN DIMENSIONS		THIS DRAWING CONTAINS INFORMATION THAT IS PROPRIETARY TO MOLEX INCORPORATED AND SHOULD NOT BE USED WITHOUT WRITTEN PERMISSION					