

**PLEASE CHECK WWW.MOLEX.COM FOR LATEST PART INFORMATION**

**Part Number:** [0394210002](#)  
**Status:** **Active**  
**Description:** 12.00mm (.472") Pitch Beau™ EuroMax™ Horizontal Plug, 2 Circuits

**Documents:**

[Drawing \(PDF\)](#) [RoHS Certificate of Compliance \(PDF\)](#)

**General**

Product Family	Terminal Blocks
Series	39421
Application	Wire-to-Board
Component Type	Plug
Product Name	EuroMax™ Pluggable
Type	Euro Block

**Physical**

Circuits (Loaded)	2
Color - Resin	Black
Entry Angle	180° Angle
Lock to Mating Part	Yes
Material - Metal	Brass
Material - Plating Mating	Tin
Material - Plating Termination	Tin
Material - Resin	Polyester
Number of Rows	1
Orientation	Horizontal
PCB Retention	N/A
Panel Mount	No
Pitch - Mating Interface (in)	0.472 In
Pitch - Mating Interface (mm)	12.00 mm
Plating min: Mating (µin)	150
Plating min: Mating (µm)	3.75
Plating min: Termination (µin)	150
Plating min: Termination (µm)	3.75
Polarized to Mating Part	Yes
Stackable	No
Temperature Range - Operating	130°C
Wire Size AWG	10, 12, 14, 3, 4, 6, 8

**Electrical**

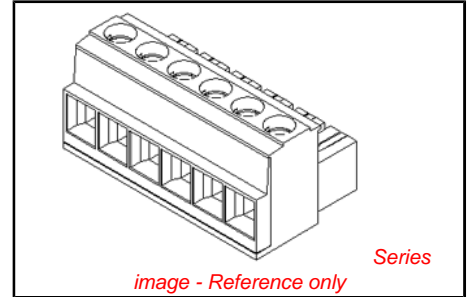
Current - Maximum per Contact	85A
Voltage - Maximum	600V

**Material Info**

Old Part Number	420502
-----------------	--------

**Reference - Drawing Numbers**

Sales Drawing	SD-39421-001
---------------	--------------



**EU RoHS** **China RoHS**

**RoHS Compliant by Exemption**

**REACH SVHC**

Not Reviewed

**Halogen-Free**

**Status**

**Not Reviewed**

**Need more information on product environmental compliance?**

Email [productcompliance@molex.com](mailto:productcompliance@molex.com)  
 For a multiple part number RoHS Certificate of Compliance, [click here](#)

Please visit the [Contact Us](#) section for any non-product compliance questions.

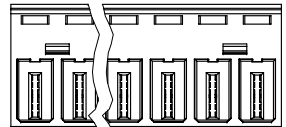
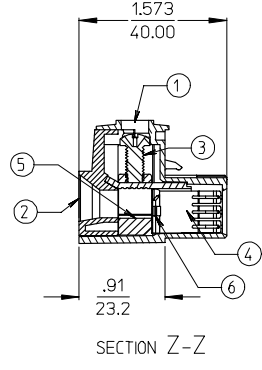
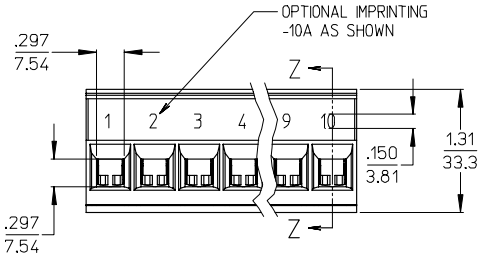
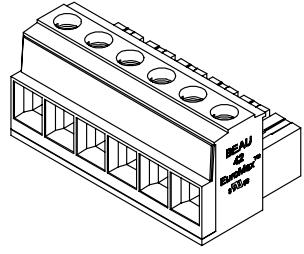
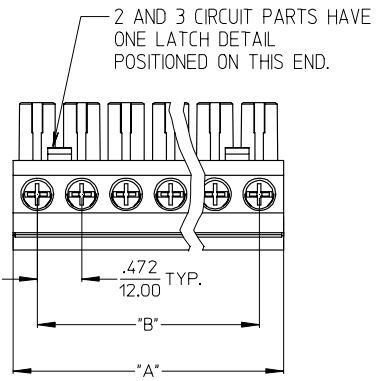


**Search Parts in this Series**  
[39421Series](#)

**Mates With**  
[39425-0002](#) Horizontal PCB Header

**PLEASE CHECK WWW.MOLEX.COM FOR LATEST PART INFORMATION**

LENGTH TABLE				
NO. CIRCUITS	"B"	"A"	MATERIAL NO. (STANDARD)	MATERIAL NO. (-10A OPT.)
02	.472/12.00	.98/25.0	39421-0002	39421-1002
03	.945/24.00	1.46/37.0	39421-0003	39421-1003
04	1.417/36.00	1.93/49.0	39421-0004	39421-1004
05	1.890/48.00	2.40/61.0	39421-0005	39421-1005
06	2.362/60.00	2.87/73.0	39421-0006	39421-1006
07	2.835/72.00	3.35/85.0	39421-0007	39421-1007
08	3.307/84.00	3.82/97.0	39421-0008	39421-1008
09	3.780/96.00	4.29/109.0	39421-0009	39421-1009
10	4.252/108.00	4.76/121.0	39421-0010	39421-1010



- NOTES:
1. MATERIAL: SEE TABLE
  2. FINISHES: SEE TABLE
  3. PRODUCT SPECIFICATION: SEE PPS.42.002.DOC
  4. PACKAGING: NOT REQUIRED
  5. MATES WITH: 3942500XX HEADER
  6. XX EQUALS NUMBER OF CIRCUITS

ITEM	QTY.	DESCRIPTION	MATERIAL	FINISH
6	XX	BACK PLATE	PHOS. BRONZE	TIN
5	XX	PRESSURE CLAMP	BRASS	NICKEL
4	XX	TERMINAL	COPPER ALLOY	TIN
3	XX	SCREW, M5 PAN HEAD, POZI-SLOT	S.S.	TIN
2	1	MOLDING, COVER	PBT	BLACK
1	1	MOLDING, BODY	PBT	BLACK
		QTY.	MATERIAL	FINISH

REV	DESCRIPTION
J	CHNG SCREW TYPE
I	EC NO: ETC2006-0217
H	DRWNASAYDEH 2006/02/06
G	CHKCHRSTONE 2006/02/07
F	APPR:BEROSS 2006/02/09

QUALITY SYMBOLS
▽=0
▽=0

GENERAL TOLERANCES (UNLESS SPECIFIED)	
4 PLACES	± .0015
3 PLACES	± 0.038 ± .005
2 PLACES	± 0.13 ± .01
1 PLACE	± 0.3 ± .1
ANGULAR ±1/2°	

DIMENSION STYLE	
IN/MM	
DRAWN BY	DATE
CKEMP	03/07/21
CHECKED BY	DATE
PWALTZ	03/08/05
APPROVED BY	DATE
G.ROBERTSON	03/08/05
MATERIAL NO.	
SEE CHART	

SCALE	DESIGN UNITS	THIRD ANGLE PROJECTION
4:1	INCH	☉
TITLE		
PLUG, 12MM, 85A, 600V #10-#3 AWG		
MOLEX INCORPORATED		
DOCUMENT NO.	STEEL NO.	
SD-39421-001	1 OF 1	
THIS DRAWING CONTAINS INFORMATION THAT IS PROPRIETARY TO MOLEX INCORPORATED AND SHOULD NOT BE USED WITHOUT WRITTEN PERMISSION		