

PLEASE CHECK WWW.MOLEX.COM FOR LATEST PART INFORMATION

Part Number: [0391001206](#)
Status: **Active**
Description: 12.00mm (.472") Pitch Beau™ Eurostyle™ Two-Screw Terminal Strips, 6 Circuits

Documents:

[3D Model](#) [RoHS Certificate of Compliance \(PDF\)](#)
[Drawing \(PDF\)](#)

Agency Certification

CSA 25562
 UL E82573

General

Product Family Terminal Blocks
 Series [39100](#)
 Application Wire-to-Wire
 Component Type One Piece
 MolexKits Yes
 Product Literature Order No USA-303
 Product Name Eurostyle™ Two Screw
 Type Euro Block

Physical

Circuits (Loaded) 6
 Entry Angle Horizontal
 Flammability 94V-2
 Lock to Mating Part None
 Number of Rows 2
 Orientation Vertical
 PCB Retention Yes
 Panel Mount Mounting Holes Between Circuit
 Pitch - Mating Interface (in) 0.472 In
 Pitch - Mating Interface (mm) 12.00 mm
 Pitch - Term. Interface (in) 0.315 In
 Pitch - Term. Interface (mm) 8.00 mm
 Polarized to Mating Part No
 Stackable No
 Temperature Range - Operating 100°C
 Wire Size AWG 10, 12, 14, 16, 18, 20, 8

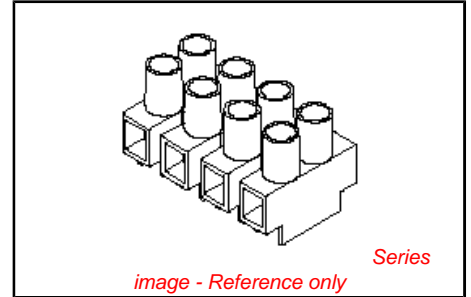
Electrical

Current - Maximum per Contact 40A
 Voltage - Maximum 600V

Material Info

Reference - Drawing Numbers

Sales Drawing SD-39100-006



EU RoHS

ELV and RoHS Compliant
REACH SVHC Contains SVHC: No
Halogen-Free Status Not Reviewed

China RoHS



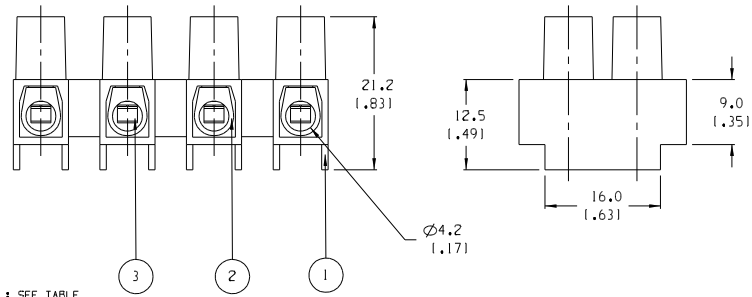
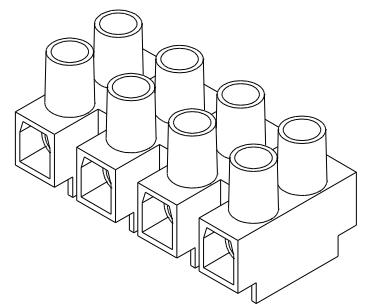
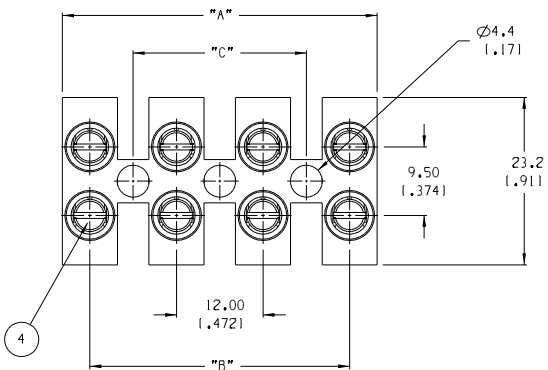
Need more information on product environmental compliance?

Email productcompliance@molex.com
 For a multiple part number RoHS Certificate of Compliance, [click here](#)

Please visit the [Contact Us](#) section for any non-product compliance questions.

Search Parts in this Series
[39100Series](#)

PLEASE CHECK WWW.MOLEX.COM FOR LATEST PART INFORMATION



NUMBER OF CIRCUITS	"A" DIM.	"B" DIM.	"C" DIM.	MATERIAL NUMBER
01	8.00 1.3151	N/A	N/A	391001201
02	20.00 1.7871	12.00 1.4721	N/A	391001202
03	32.00 11.2601	24.00 1.9441	12.00 1.4721	391001203
04	44.00 11.7321	36.00 1.4161	24.00 1.9451	391001204
05	56.00 12.2051	48.00 1.8881	36.00 1.4171	391001205
06	68.00 12.6771	60.00 2.3591	48.00 1.8901	391001206
07	80.00 13.1501	72.00 2.8311	60.00 2.3621	391001207
08	92.00 13.6221	84.00 3.3031	72.00 2.8351	391001208
09	104.00 14.0941	96.00 3.7751	84.00 3.3071	391001209
10	116.00 14.5671	108.00 4.2471	96.00 3.7801	391001210
11	128.00 15.0391	120.00 4.7191	108.00 4.2521	391001211
12	140.00 15.5121	132.00 5.1911	120.00 4.7241	391001212

- NOTES:
1. MATERIAL: SEE TABLE
 2. FINISHES: SEE TABLE
 3. PRODUCT SPECIFICATION: NOT REQUIRED
 4. PACKAGING: NOT REQUIRED
 5. MATES WITH: NONE
 6. "XX" REFERS TO THE NUMBER OF CIRCUITS

ITEM	QTY.	DESCRIPTION	MATERIAL	FINISH
4	XX*2	CLAMPING SCREWS, M3.5	STEEL	ZINC
3	XX	WIRE PROTECTOR	BRASS	NICKEL
2	XX	TERMINAL	BRASS	NICKEL
1	1	INSULATOR	NYLON 6	CLEAR

EC NO. RELEASED
 DRAWN: JF 09-16-04
 CHECKED: JF
 APPROVED: JF

QUALITY SYMBOLS	DESCRIPTION
MAJOR	△
CRITICAL	▽
SPC	□
REV	○

GENERAL TOLERANCES* (UNLESS SPECIFIED)	SCALE	DESIGN UNITS
4 PLACES ±.0015	2:1	<input type="checkbox"/> mm <input checked="" type="checkbox"/> INCH
3 PLACES ±.038 ±.005		
2 PLACES ±.13 ±.01		
1 PLACE ±.3		
ANGULAR: ±2°		

PROJECT NO. - - -

DIMENSIONS: mm INCH mm ONLY INCH ONLY

SHT. REV

REVISE ON CAD ONLY

DRAWN BY & DATE: J.FARMER 09-16-04

CHECKED BY & DATE:

APPROVED BY & DATE:

CAD FILENAME: 39100-12XX

MATERIAL NO.: SEE CHART

DRAWING NO.: SD-39100-006

SHEET NO. 1 OF 1

SIZE B

TITLE: 12MM HIGH PROFILE WITH WIRE PROTECTORS

MOLEX INCORPORATED

THIS DRAWING CONTAINS INFORMATION THAT IS PROPRIETARY TO MOLEX INCORPORATED AND SHOULD NOT BE USED WITHOUT WRITTEN PERMISSION.