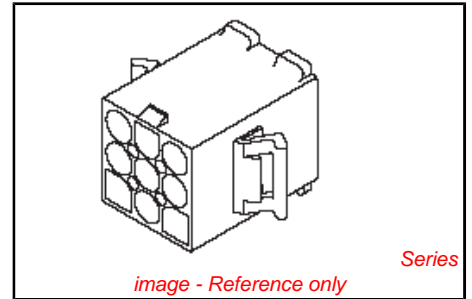


PLEASE CHECK WWW.MOLEX.COM FOR LATEST PART INFORMATION

Part Number: [0039036062](#)
Status: **Active**
Overview: [standard_093](#)
Description: 2.36mm (.093") Diameter Standard .093" Pin and Socket Plug Housing With Positive Latch, UL 94V-2, 6 Circuits

Documents:

3D Model	Product Specification PS-3191-005 (PDF)
Drawing (PDF)	RoHS Certificate of Compliance (PDF)
Product Specification PS-3191-001 (PDF)	



Agency Certification

CSA	LR19980
TUV	R72081037
UL	E29179

General

Product Family	Crimp Housings
Series	3191
Comments	Polarized to Mating Part
Overview	standard_093
Product Name	Standard .093"

Physical

Breakaway	No
Circuits (maximum)	6
Circuits Detail	2x3
Color - Resin	Natural
Flammability	94V-2
Gender	Dual
Glow-Wire Compliant	No
Keying to Mating Part	None
Lock to Mating Part	Yes
Material - Resin	Nylon
Number of Rows	2
Packaging Type	Bag
Panel Mount	No
Pitch - Mating Interface (in)	0.264 In
Pitch - Mating Interface (mm)	6.71 mm
Polarized to Mating Part	Yes
Stackable	No
Temperature Range - Operating	-40°C to +105°C

Electrical

Current - Maximum per Contact	9A
-------------------------------	----

Material Info

Old Part Number	3191-06P1
-----------------	-----------

Reference - Drawing Numbers

Packaging Specification	SPK-3191-001
Product Specification	PS-3191-001, PS-3191-005, RPS-3191-001
Sales Drawing	SD-3191-06P1-*

<p>EU RoHS ELV and RoHS Compliant REACH SVHC Contains SVHC: No Halogen-Free Status Not Reviewed</p>	<p>China RoHS</p>
--	--------------------------

Need more information on product environmental compliance?

Email productcompliance@molex.com
 For a multiple part number RoHS Certificate of Compliance, [click here](#)

Please visit the [Contact Us](#) section for any non-product compliance questions.

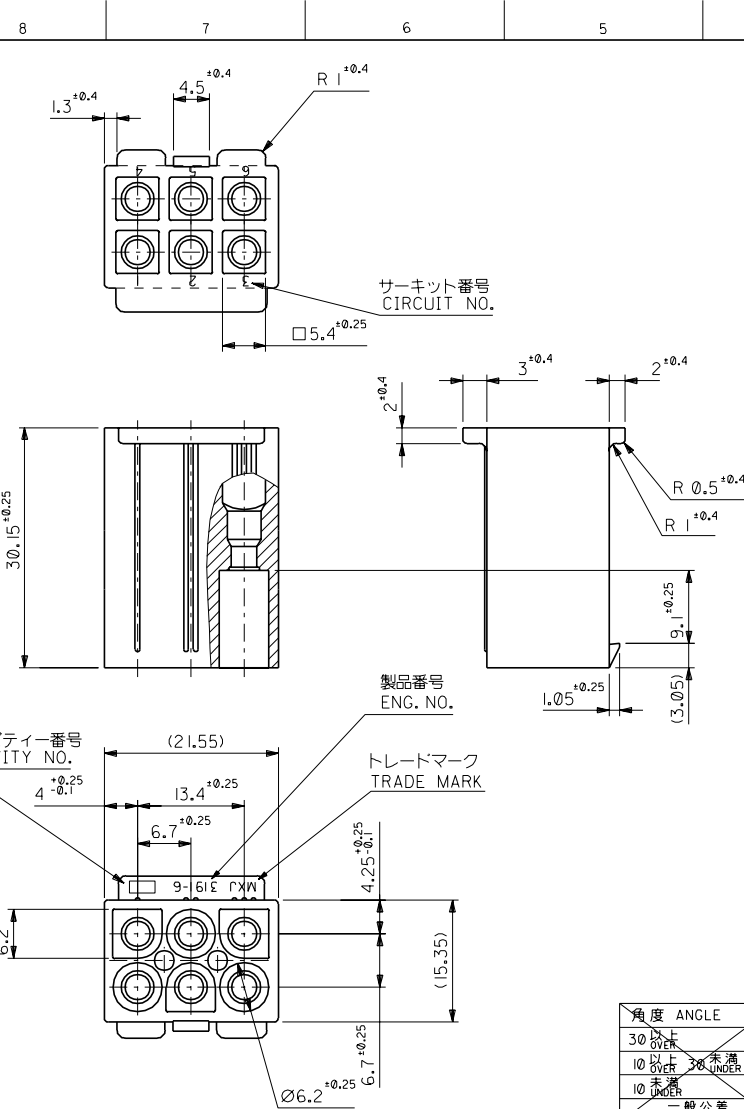
Search Parts in this Series
[3191Series](#)

Mates With
[3191](#) Pin and Socket Rectacle, [5219](#) Vertical PCB Header

Use With
[1189](#) Crimp Terminals, [1190](#) Crimp Terminals, [1380](#) Male Crimp Terminals, [1381](#) Female Crimp Terminals, [1433](#) Crimp Terminals, [1434](#) Male Crimp Terminals, [2605](#) , [2606](#) , [1973](#) , [2151](#) , [2273](#) , [2870](#) , [2871](#) , [4272](#) , Lin

PLEASE CHECK WWW.MOLEX.COM FOR LATEST PART INFORMATION

DWG. NO. SD-3191-06P1-
 DIMENSIONS IN METRIC DO NOT SCALE DRAWING
 A B C D E



注記
 NOTE
 () 内寸法は参考値
 DIMENSIONS IN () ARE REFERENCE

39-03-6063	3191-06P1-201	NYLON66	94V-0
39-03-6062	3191-06P1	NYLON66	94V-2
EDP. NO.	ENG. NO.	MATERIAL	UL
材料 表参照 MATERIAL SEE CHART		MOLEX-JAPAN CO.,LTD. 日本モレックス株式会社	
仕上げ FINISH		REVISION RECORD	
適用電線範囲 WIRE RANGE		TITLE 名称	
被覆外径 INS. RANGE		6 CKT. PLUG HS'G. (.093 DIA. TERMINAL)	
DRAWN BY %/06/26 H.IIJIJIMA	CHK'D BY %/06/26 M.FUKUSHIMA	DWG. NO.	REV
APP'D BY %/06/26 M.ENOMOTO	尺度 SCALE 2 : 1	SD-3191-06P1-*	H

角度 ANGLE	±3°
30°以上 OVER	±0.3
10°以上 30°未満 OVER	±0.25
10°未満 UNDER	±0.2
一般公差 GENERAL TOLERANCES	

THIS DRAWING CONTAINS INFORMATION THAT IS PROPRIETARY TO MOLEX/JAPAN AND SHOULD NOT BE USED WITHOUT WRITTEN PERMISSION
 本図面は日本モレックス(株)の所有する情報を含むもので 当社の許可なく複製を禁止する。
 EN-01C(032)MXJ-32